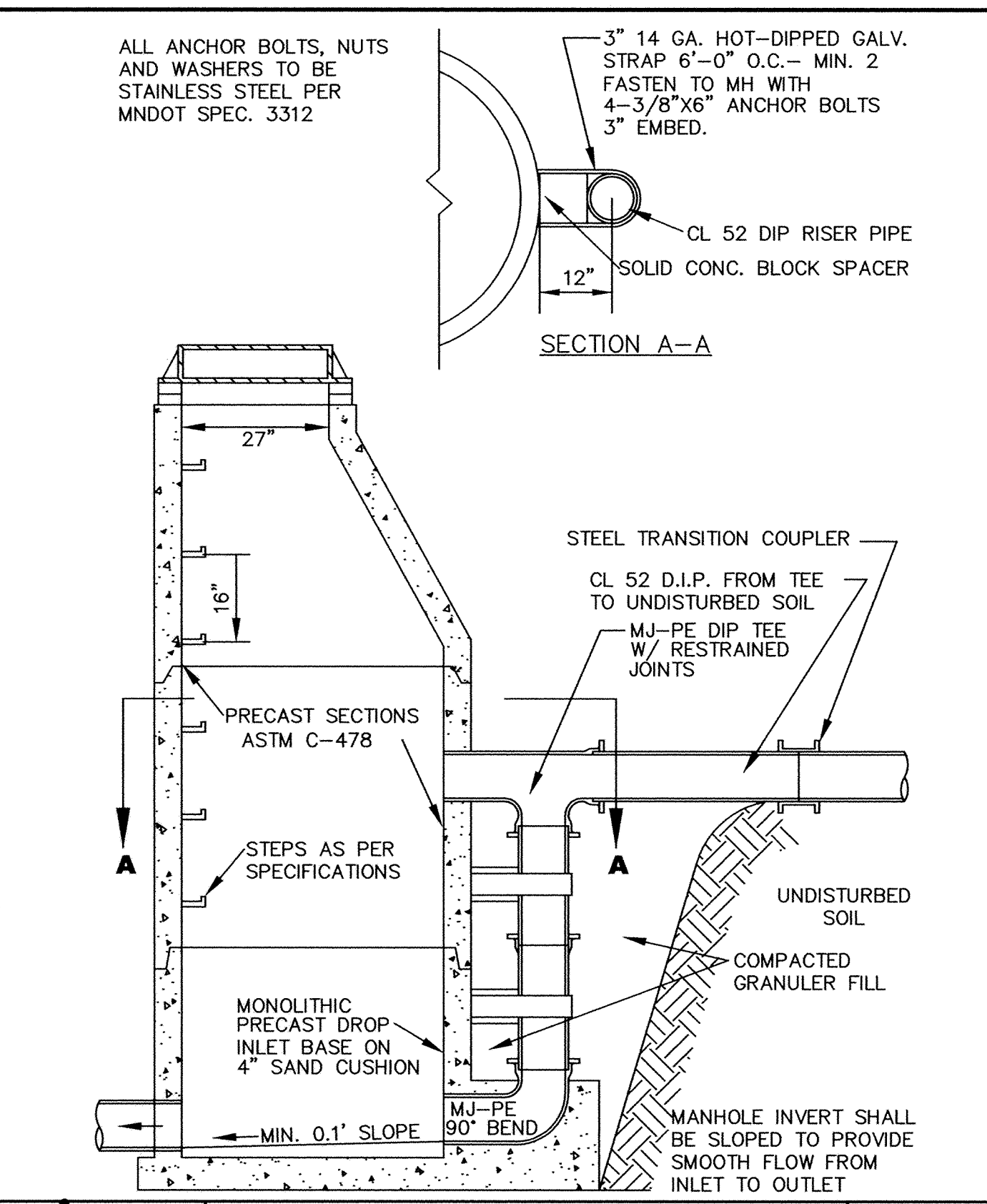
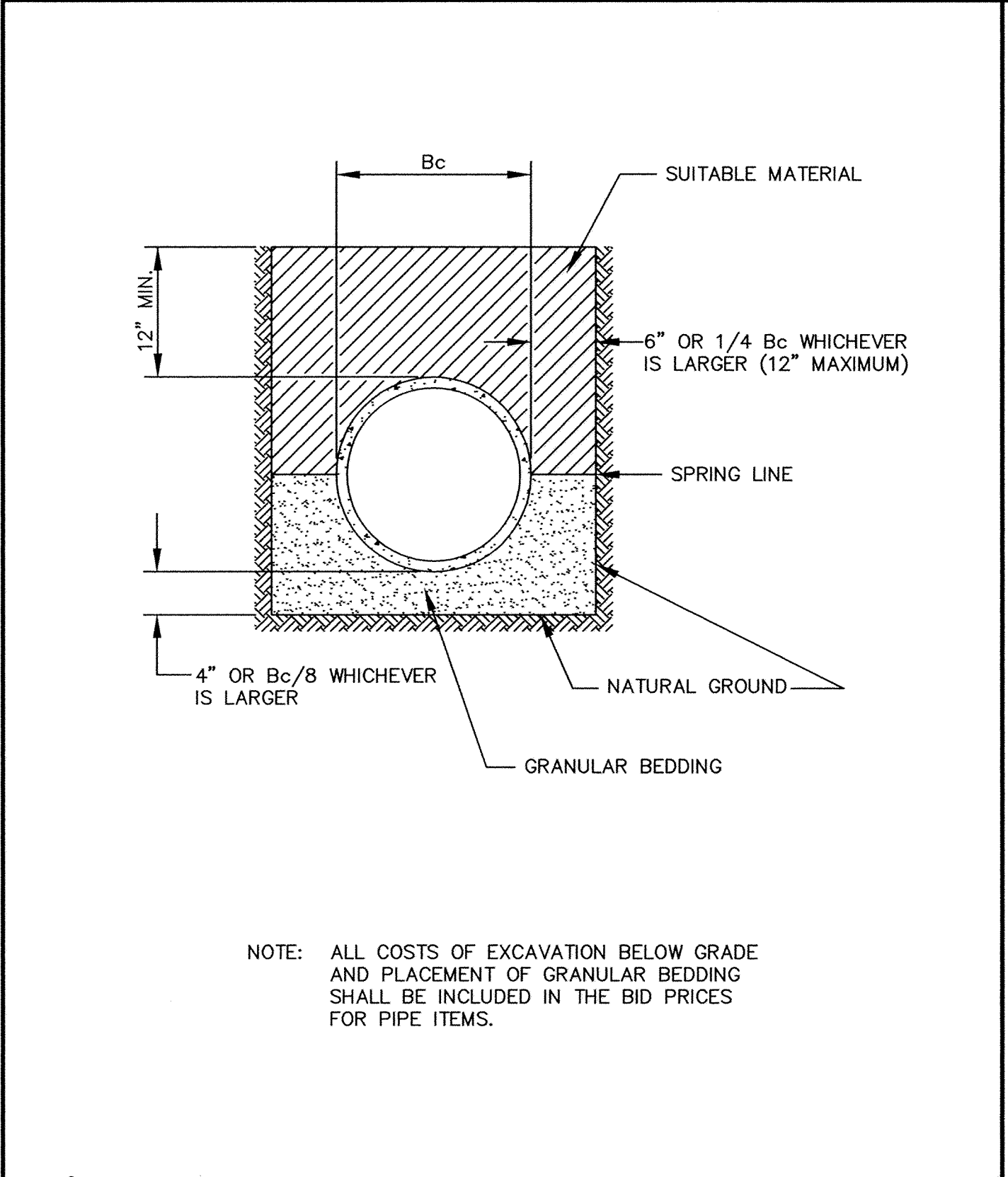


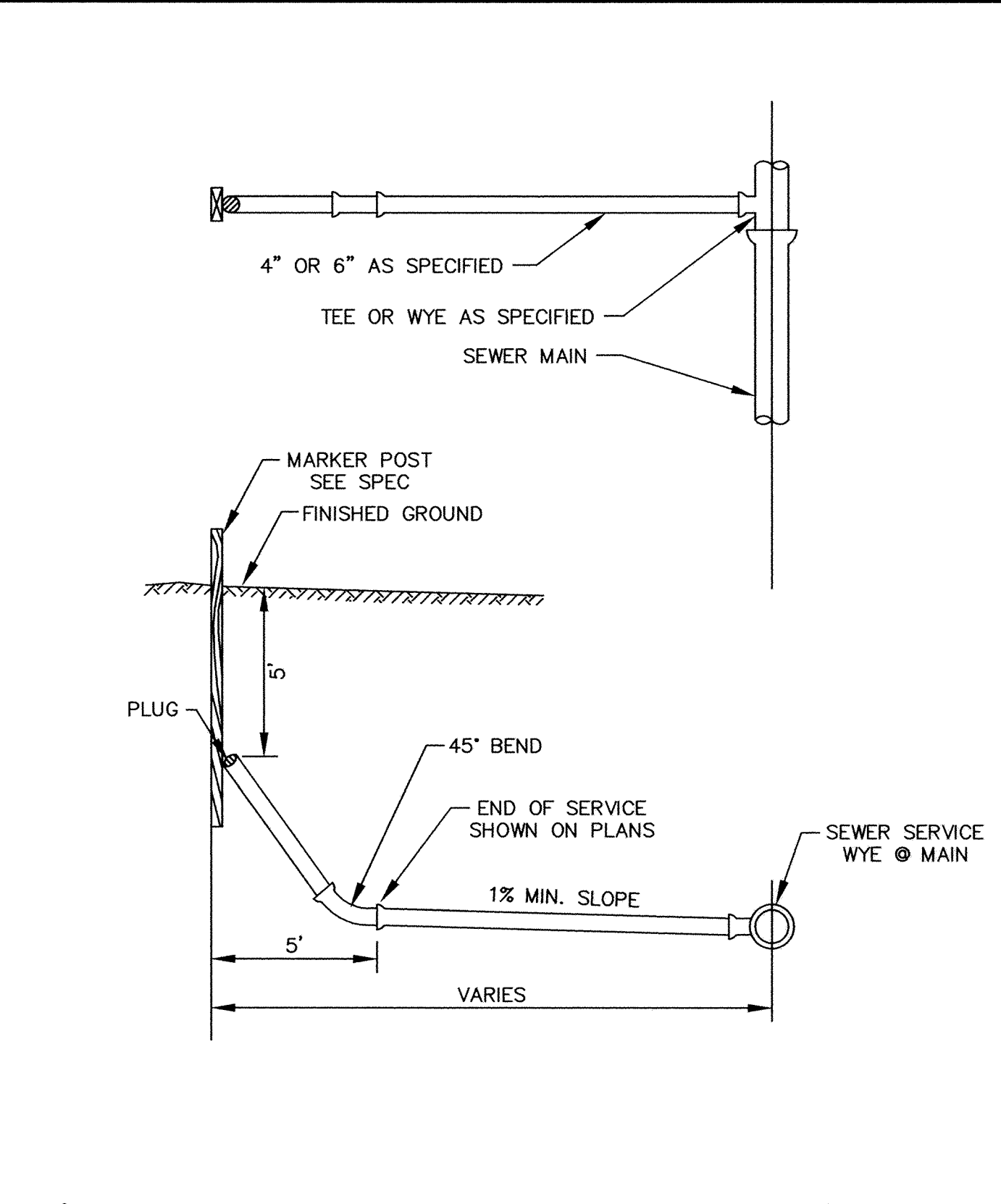
**STANDARD MANHOLE**  
STANDARD PLATE NO. **4000**



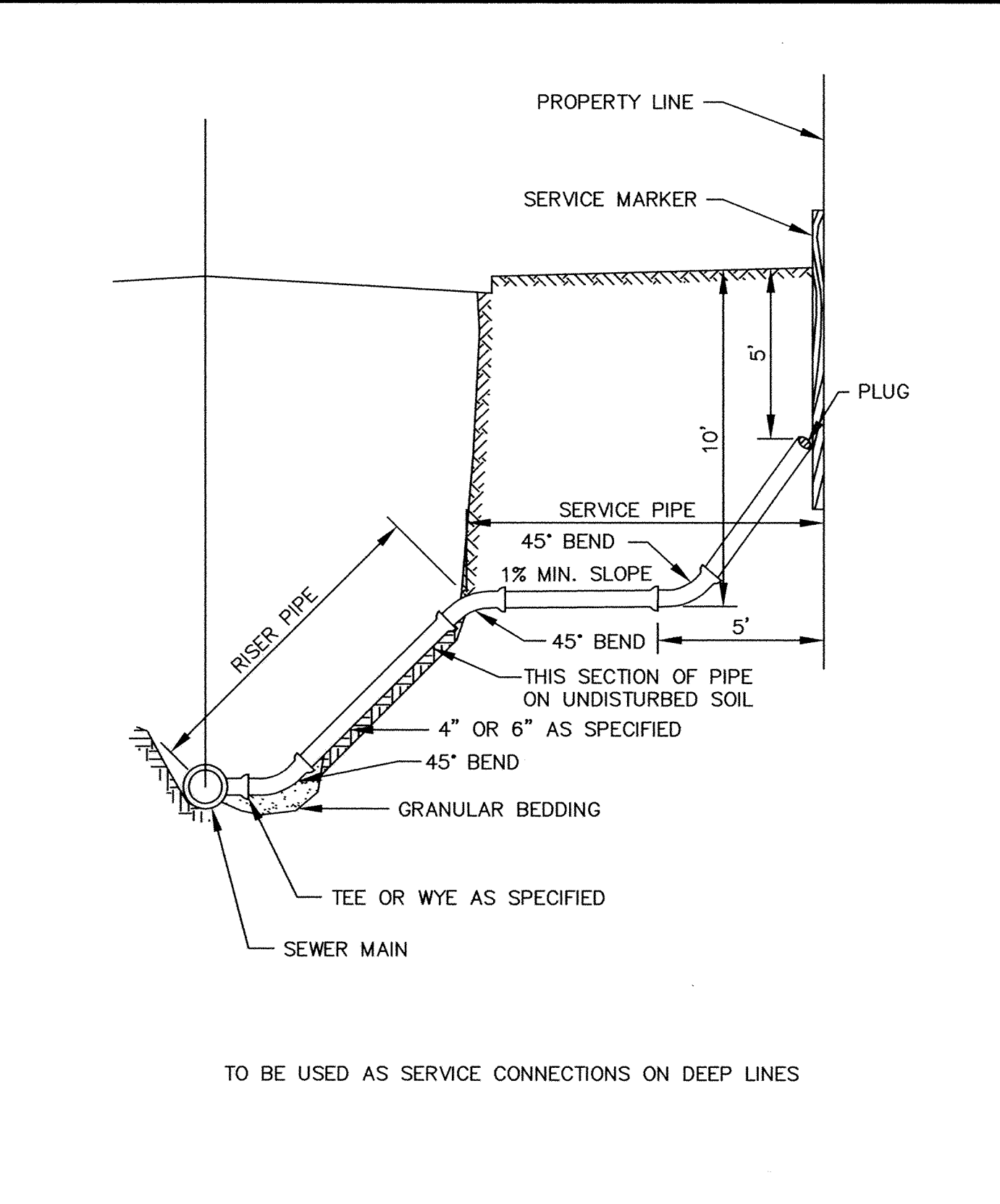
**OUTSIDE DROP MANHOLE**  
STANDARD PLATE NO. **4004**



**CLASS B PIPE BEDDING**  
STANDARD PLATE NO. **4006**



**TYPICAL SANITARY SERVICE**  
STANDARD PLATE NO. **4007**



**SERVICE RISER SECTION**  
STANDARD PLATE NO. **4008**

NO.	DATE	BY	DESCRIPTION

I HEREBY CERTIFY THAT THIS PLAN, SPECIFICATION OR REPORT WAS PREPARED BY ME OR UNDER MY DIRECT SUPERVISION AND THAT I AM A DULY LICENSED PROFESSIONAL ENGINEER UNDER THE LAWS OF THE STATE OF MINNESOTA.

**JOHN M. ANDERSON**  
AUG. 12, 2005 25889  
DATE *8/2/07* LIC. NO.

**CITY OF ELK RIVER**  
**NORTHSTAR BUSINESS PARK**  
**SANITARY DETAILS**

**BDM**  
CONSULTING ENGINEERS, PLC  
Engineers and Surveyors  
4175 Lovell Road, Suite 112  
Lexington, MN 55014  
Phone: (763) 786-4570  
Fax: (763) 786-4574  
bdmce.com

DRAWN BY: JLM	
CHECKED BY: JMA	
DESIGNED BY: JLM	
JOB NO. 226035	
SHEET <b>D4</b>	SHEETS <b>25</b>