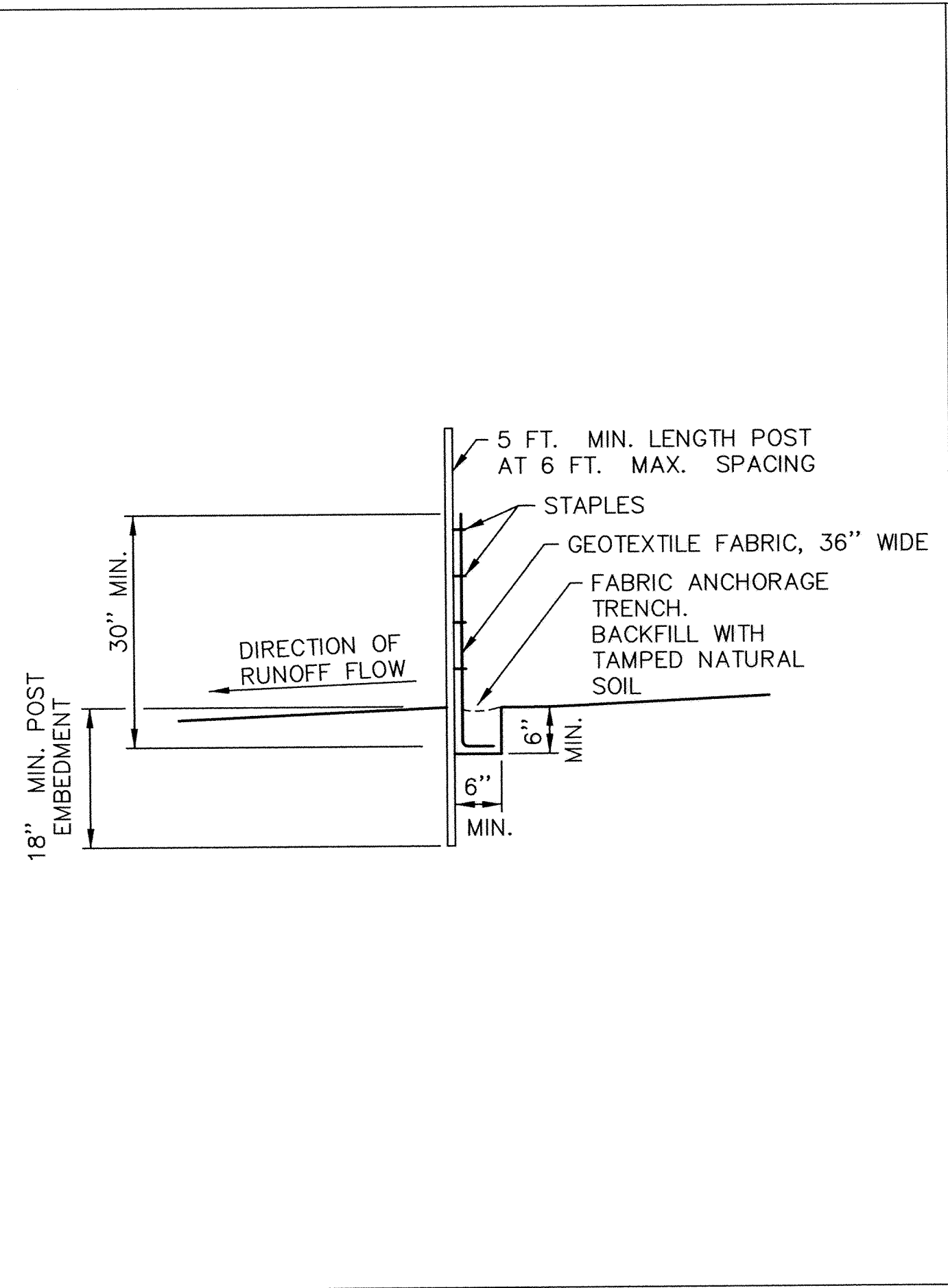
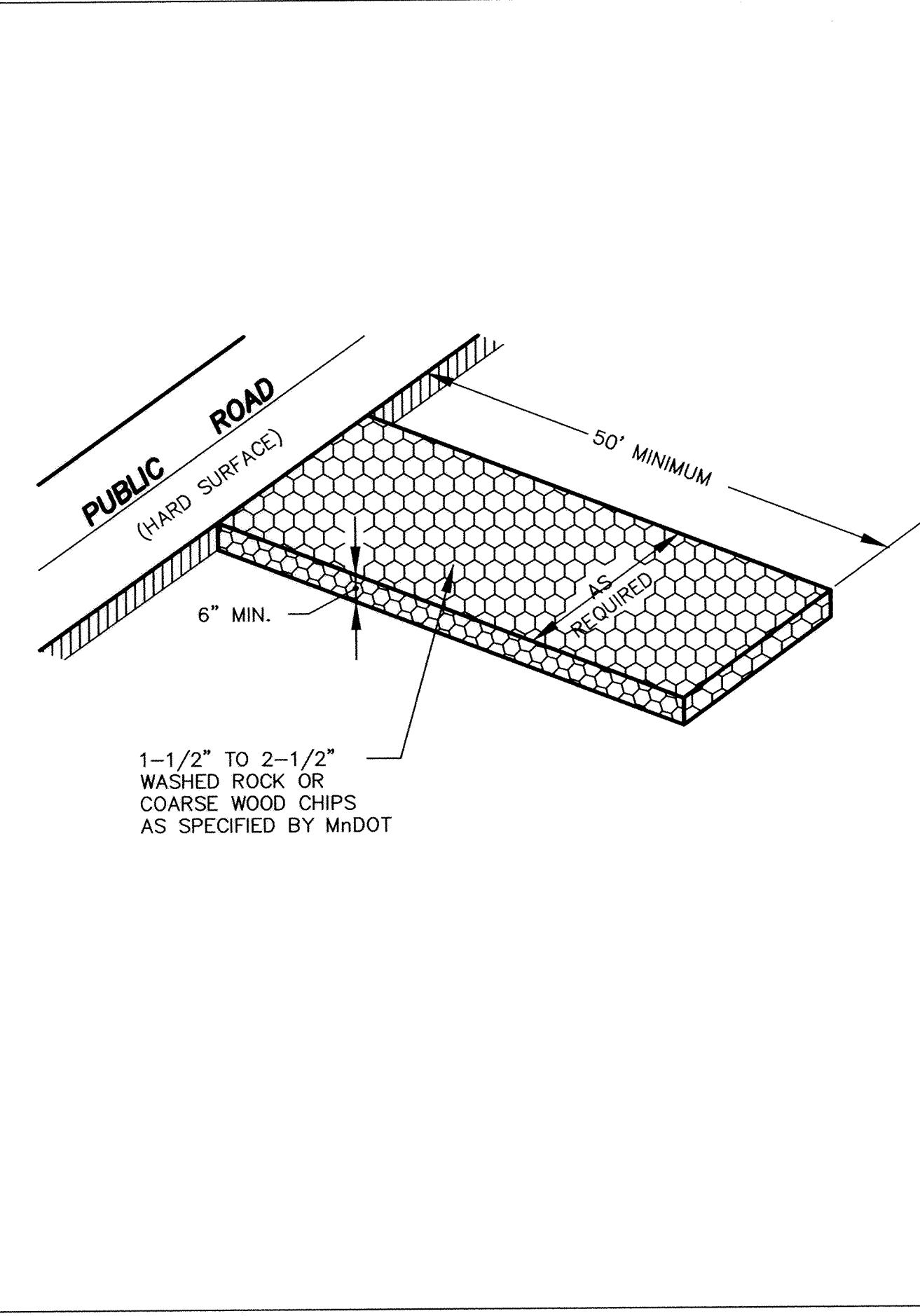


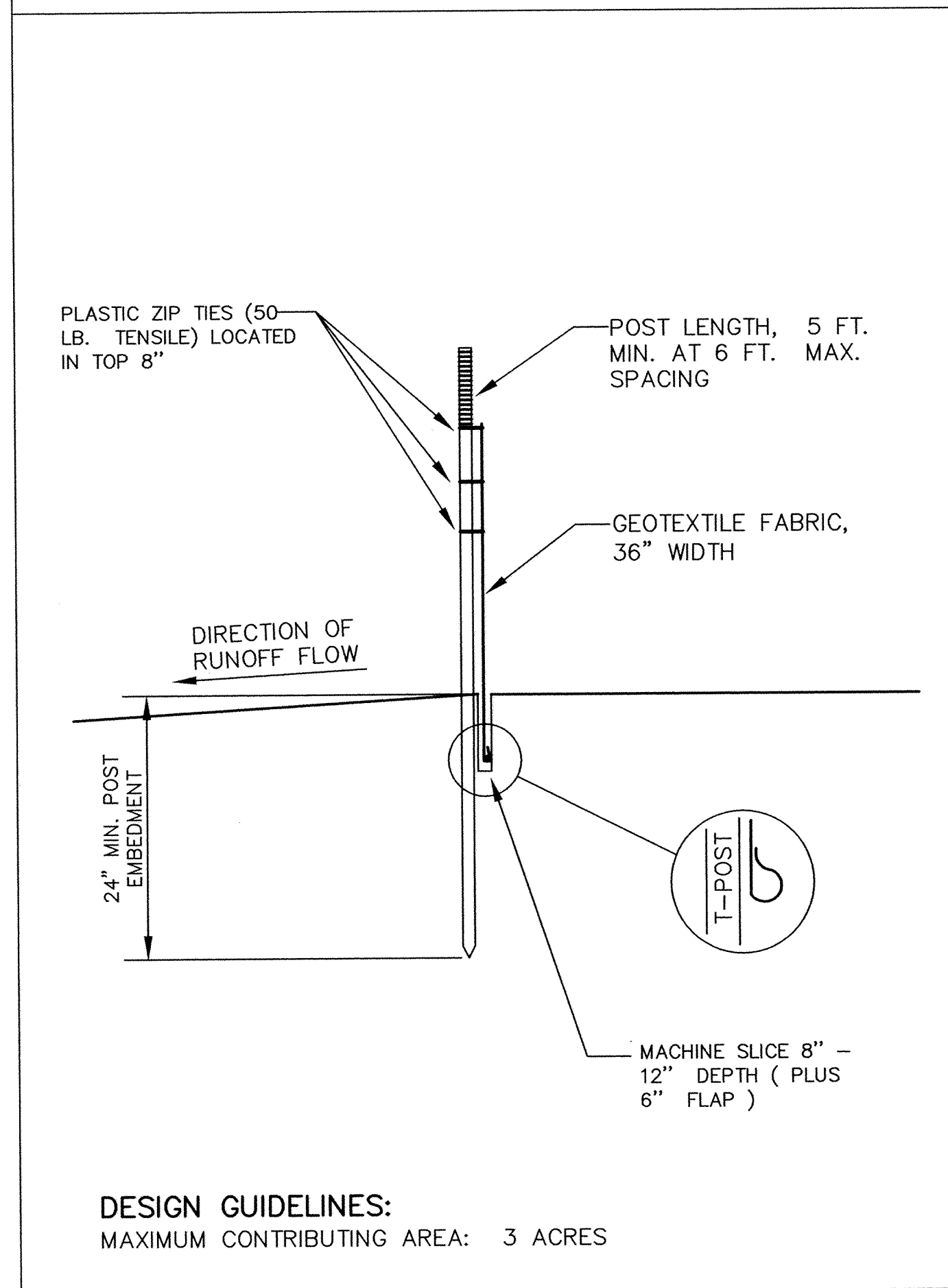
AGGREGATE REINFORCED SILT FENCE



PREASSEMBLED SILT FENCE

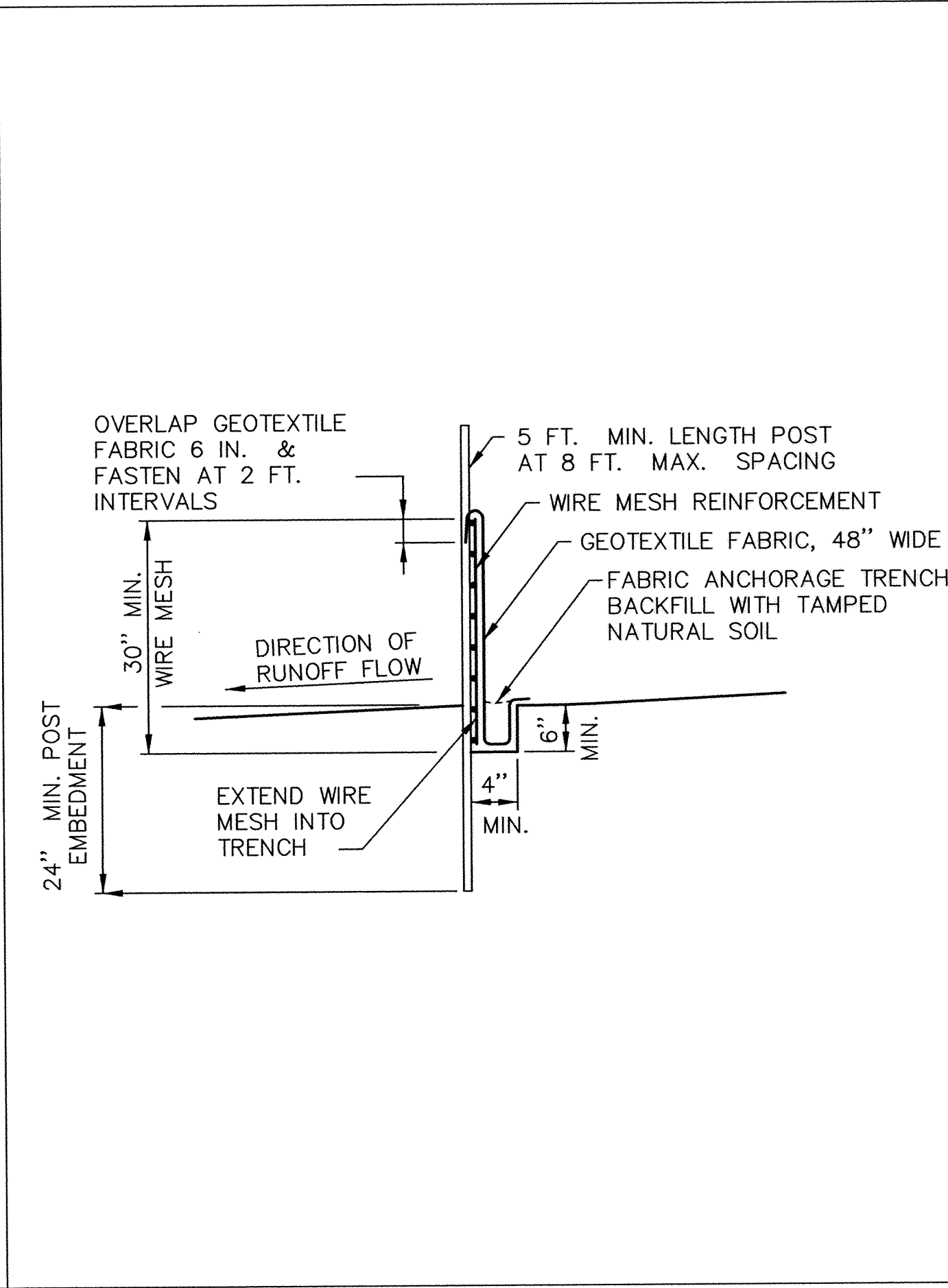


ROCK CONSTRUCTION ENTRANCE

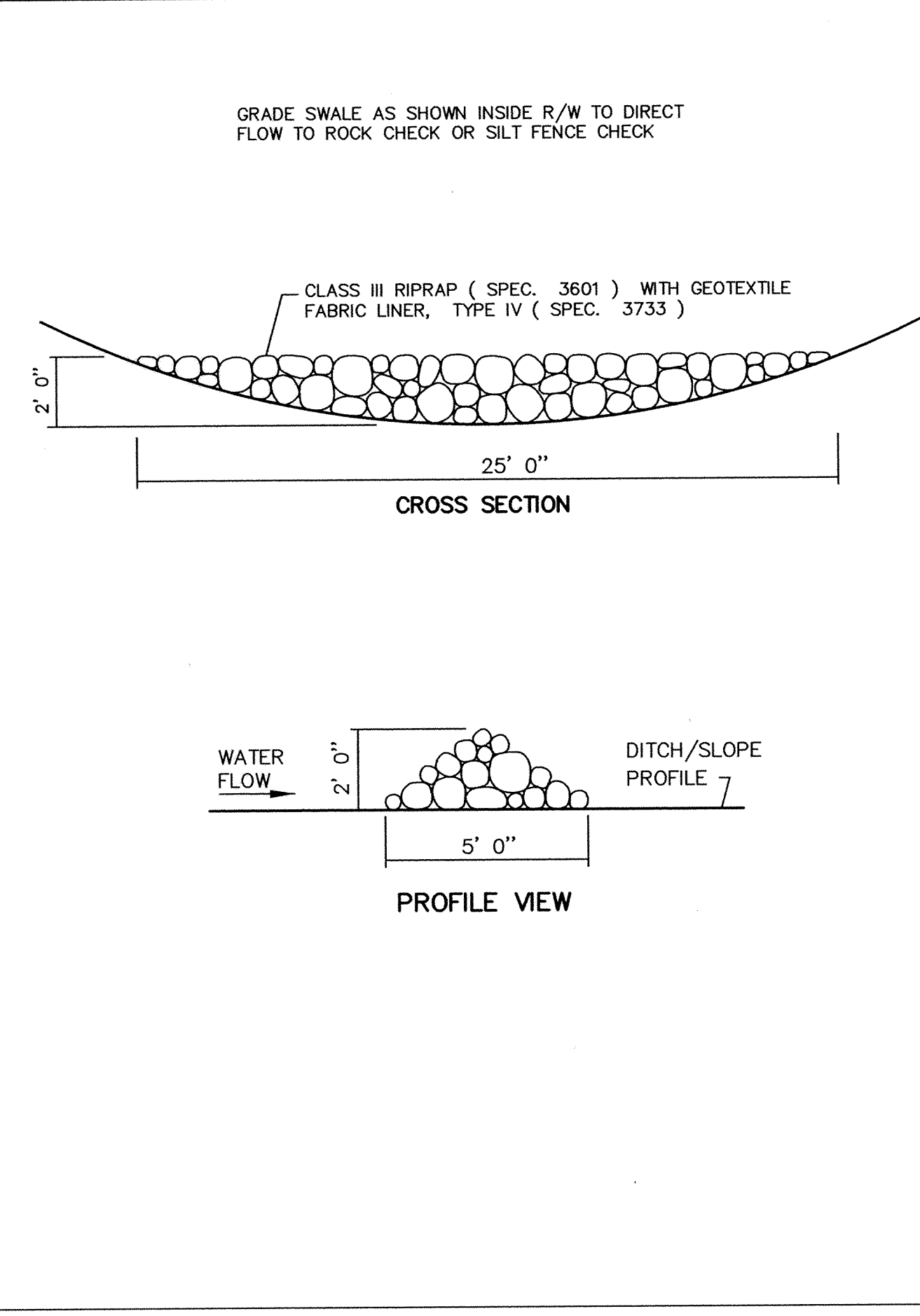


DESIGN GUIDELINES:  
MAXIMUM CONTRIBUTING AREA: 3 ACRES

STANDARD MACHINE SLICED SILT FENCE



HEAVY DUTY SILT FENCE



ROCK CHECK DAM

REVISIONS	
NO.	DESCRIPTION

I HEREBY CERTIFY THAT THIS PLAN, SPECIFICATION, OR REPORT WAS PREPARED BY ME OR UNDER MY DIRECT SUPERVISION AND THAT I AM A DULY LICENSED PROFESSIONAL ENGINEER UNDER THE LAWS OF THE STATE OF MINNESOTA.

JOHN M. ANDERSON  
AUG. 12, 2005 25889  
DATE DATE LIC. NO.

**CITY OF ELK RIVER  
NORTHSTAR BUSINESS PARK  
SWPPP DETAILS  
SITE BMPS**

**BDM**  
CONSULTING ENGINEERS, PLC  
Engineers and Surveyors  
4175 Lovell Road, Suite 112  
Lexington, MN 55014  
Phone: (763) 786-4570  
Fax: (763) 786-4574  
bdmce.com

DRAWN BY: JL  
CHECKED BY: JMA  
DESIGNED BY: JL  
JOB NO. 226035

SHEET **D2** SHEETS **25**