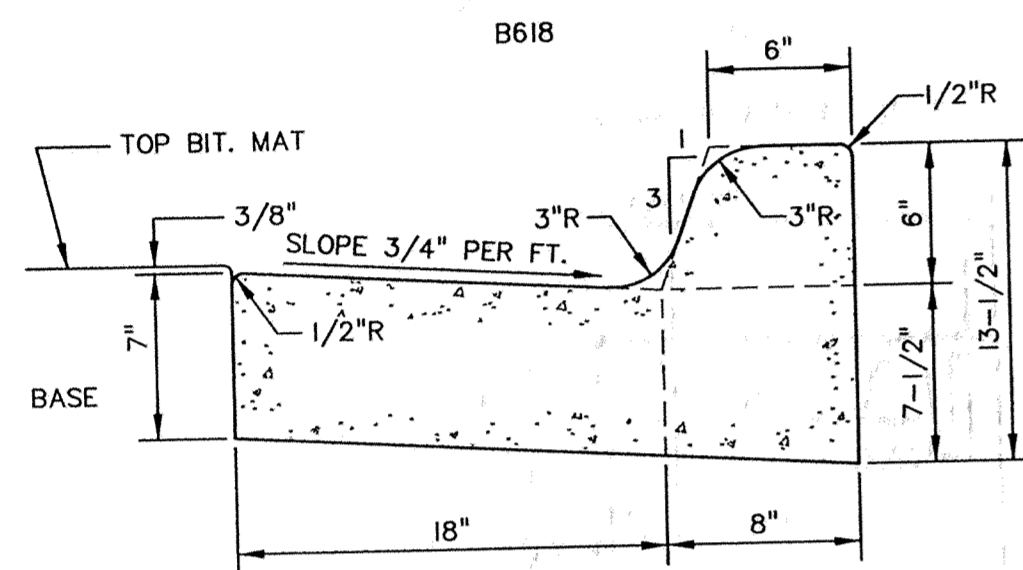
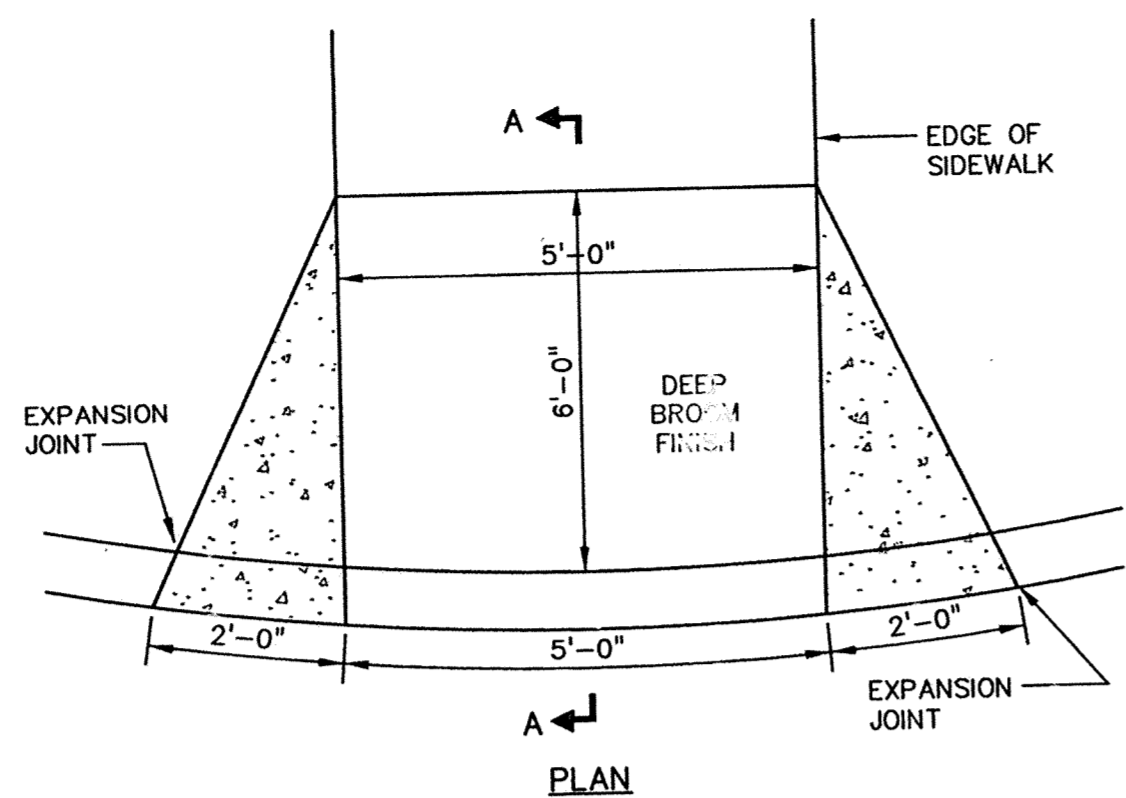


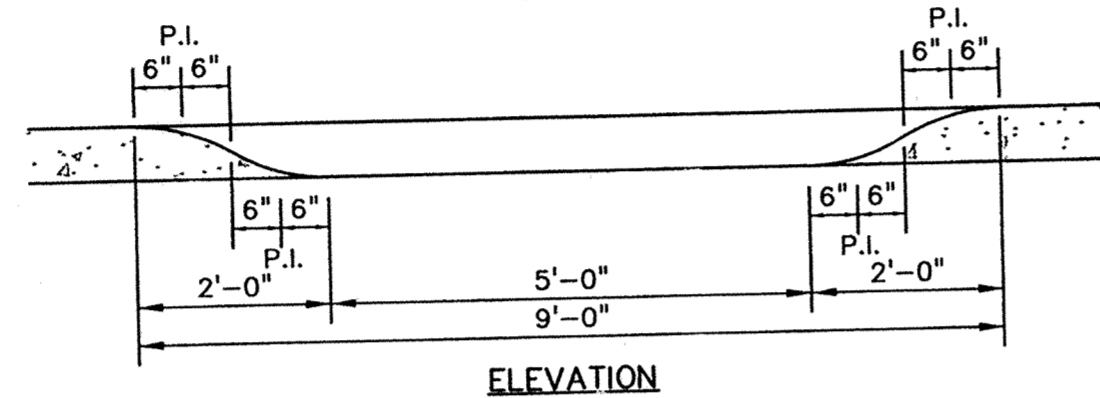
MOUNTABLE



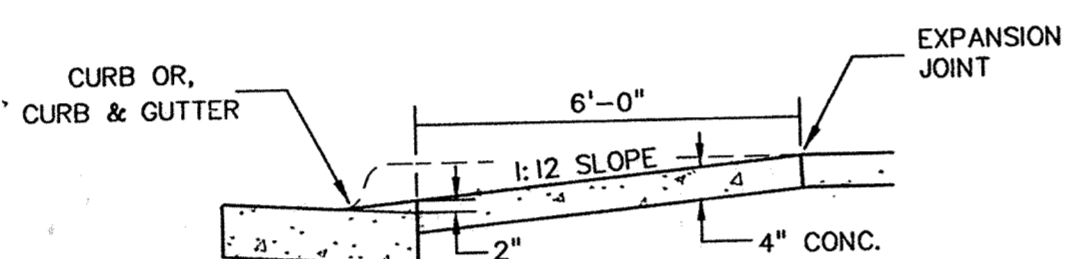
STANDARD GUTTER



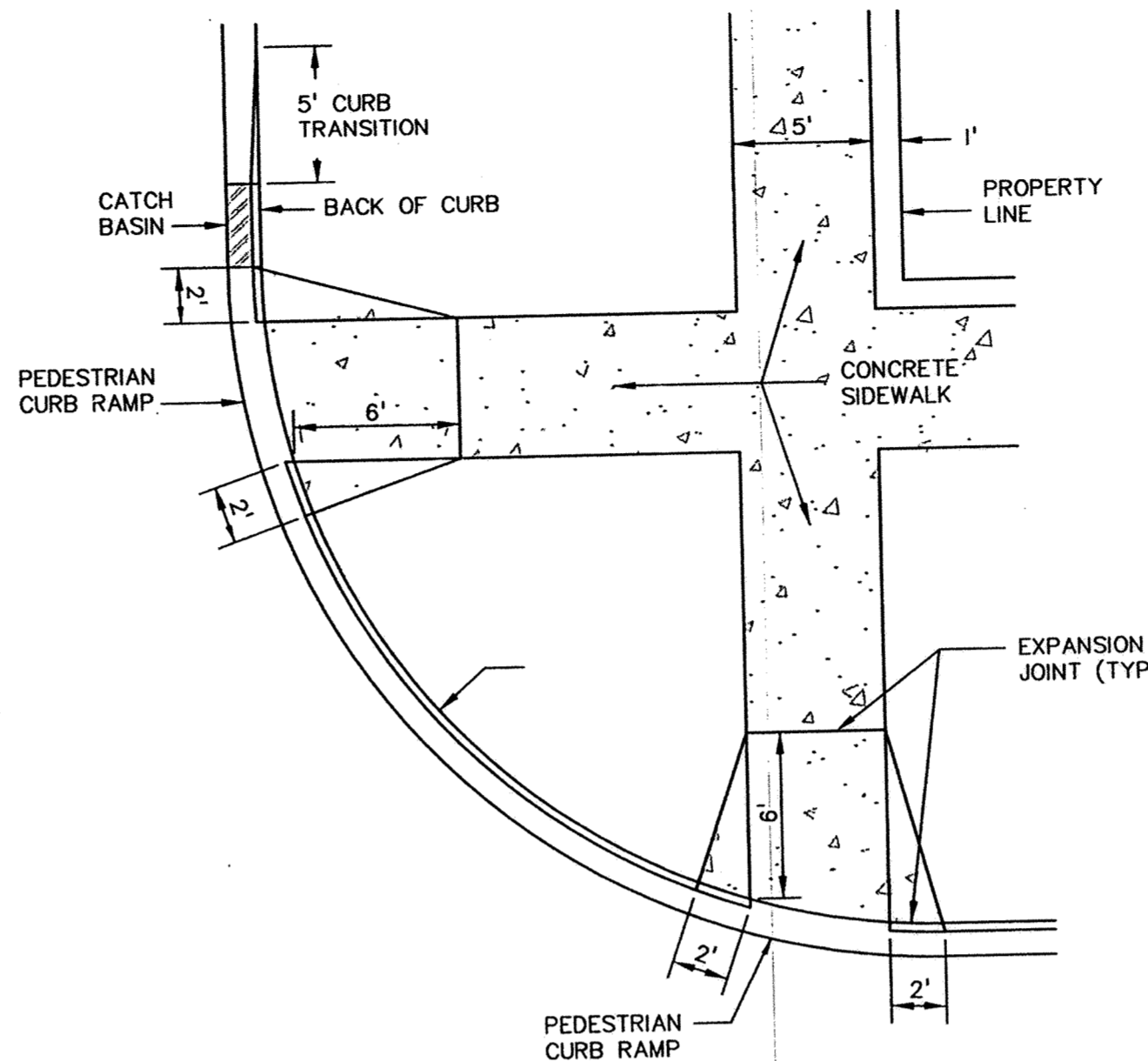
PLAN



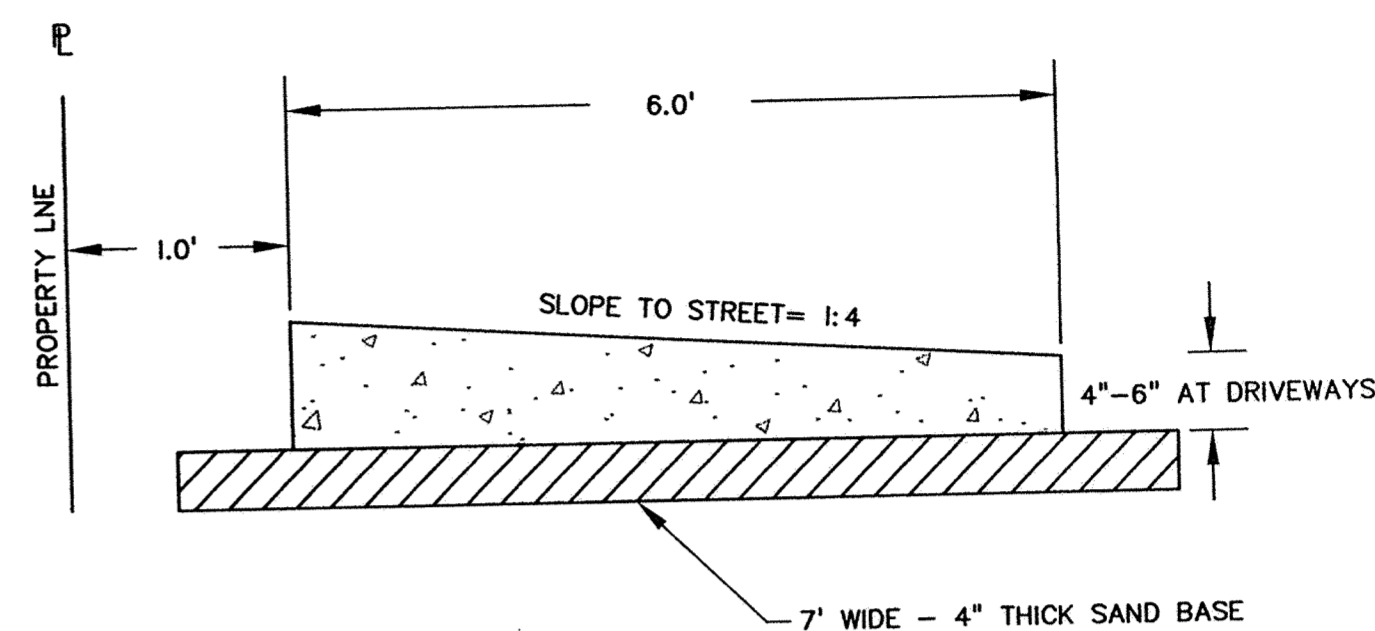
ELEVATION



SECTION A-A



PEDESTRIAN CURB RAMP INSTALLATION (R-13)



TYPICAL SIDEWALK

PRIME CONTRACTOR/UTILITIES: KUECHLE UNDERGROUND, INC.
 EARTHWORK: NORTH PINE AGGREGATE, INC.
 CURB & GUTTER: SCHMIDT CURB COMPANY, INC.
 STREETS: BAUERLY BROTHERS CO.
 INSPECTION: HOWARD R. GREEN, INC.
 SURVEY: JOHN OLIVER & ASSOCIATES, INC.
 RECORD DRAWINGS: FRED FRITSCHEL, JOHN OLIVER & ASSOCIATES, INC.
 CONSTRUCTED: 2002

NOTE:
 JOINT SPACING AT 5' INTERVALS, EXPANSION JOINT SPACING AT 100' INTERVALS AND WHEN ABUTTING EXISTING CONCRETE OR STRUCTURE.

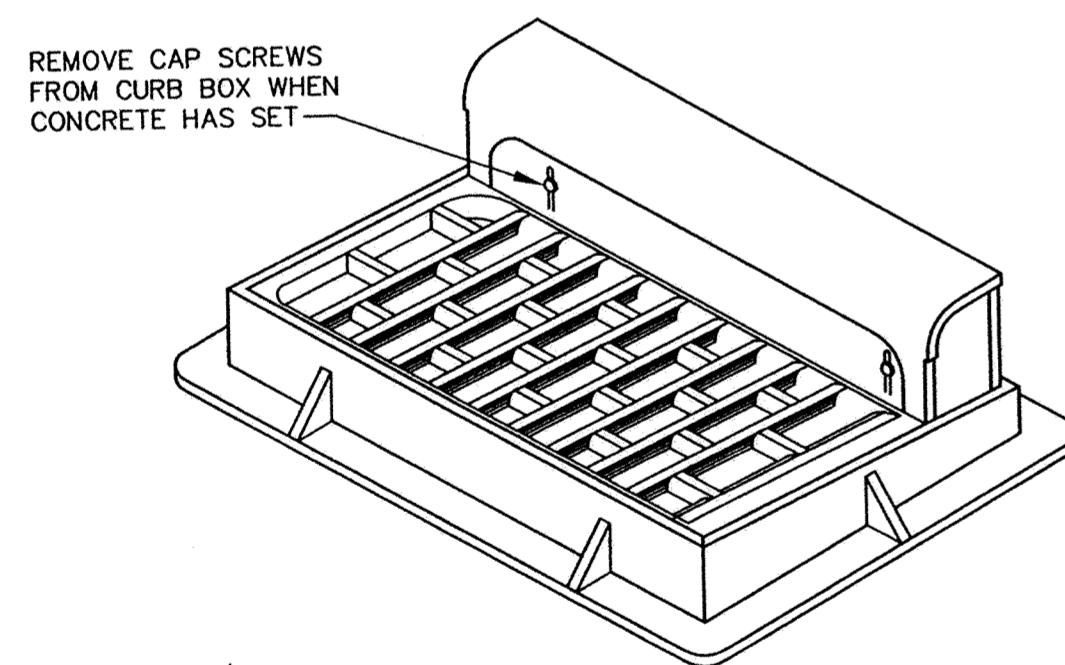
REV. NO.	DATE	DESCRIPTION
1	9/9/02	CITY COMMENTS
2	2/22/03	RECORD DRAWINGS

DATE: 8/2/02
 DESIGN BY: TM, CSA
 DRAWN BY: TM, CSA
 CHECKED BY: TM, CSA
 DWG: 11-13DET
 TEXT: NONE
 FILE NO.: 6521.30-03

I hereby certify that this plan, specification, or report was prepared by me or under my direct supervision and that I am a duly Licensed Professional Engineer under the laws of the state of Minnesota.
 Signature: *John Oliver*
 Date: 8/2/02 Reg. No. 20383

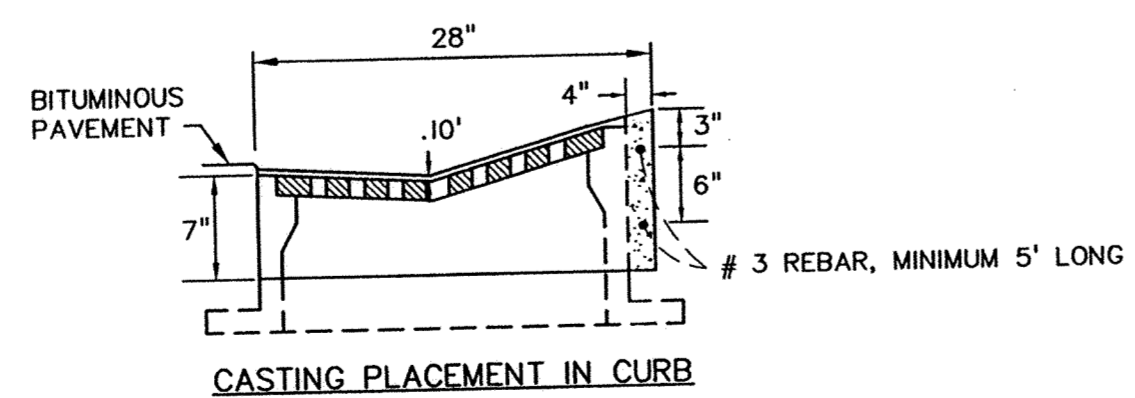
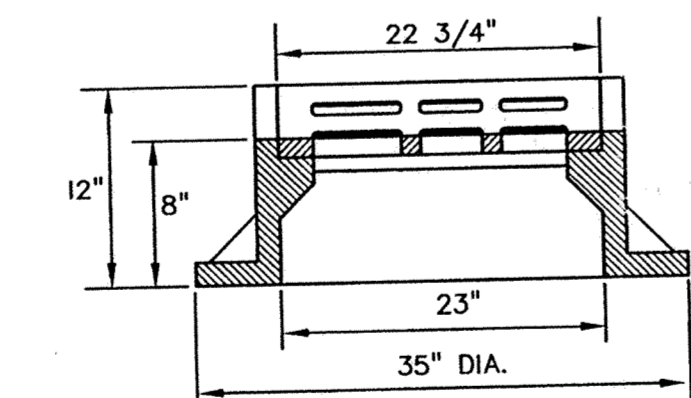
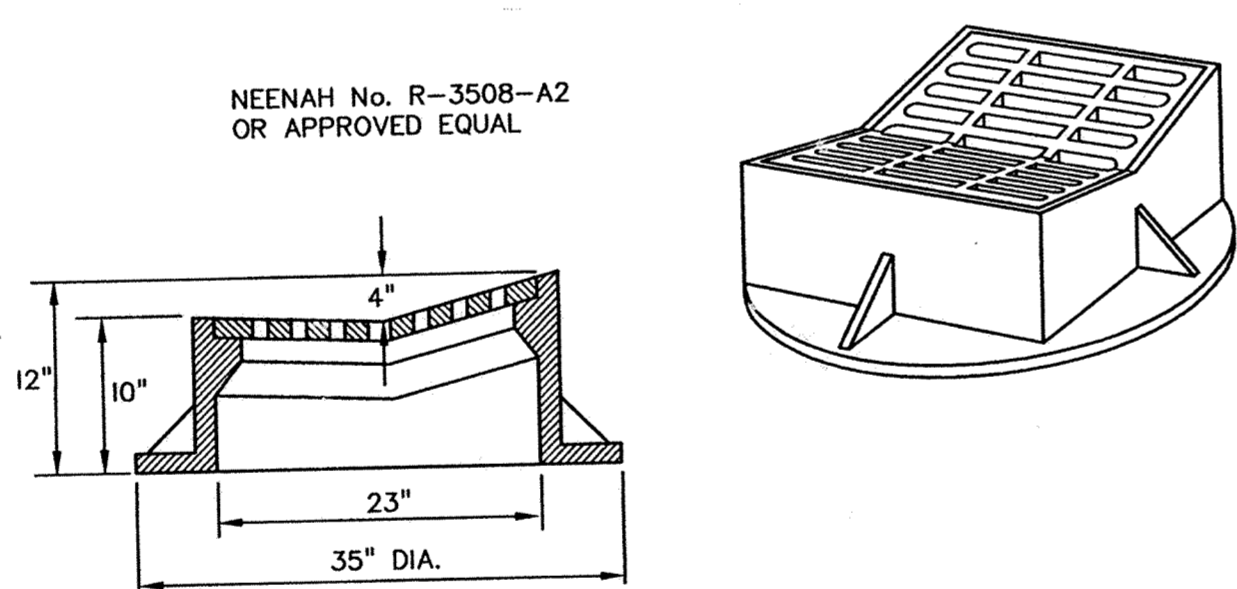
CONCRETE CURB & GUTTER

PEDESTRIAN CURB RAMP (R-11)

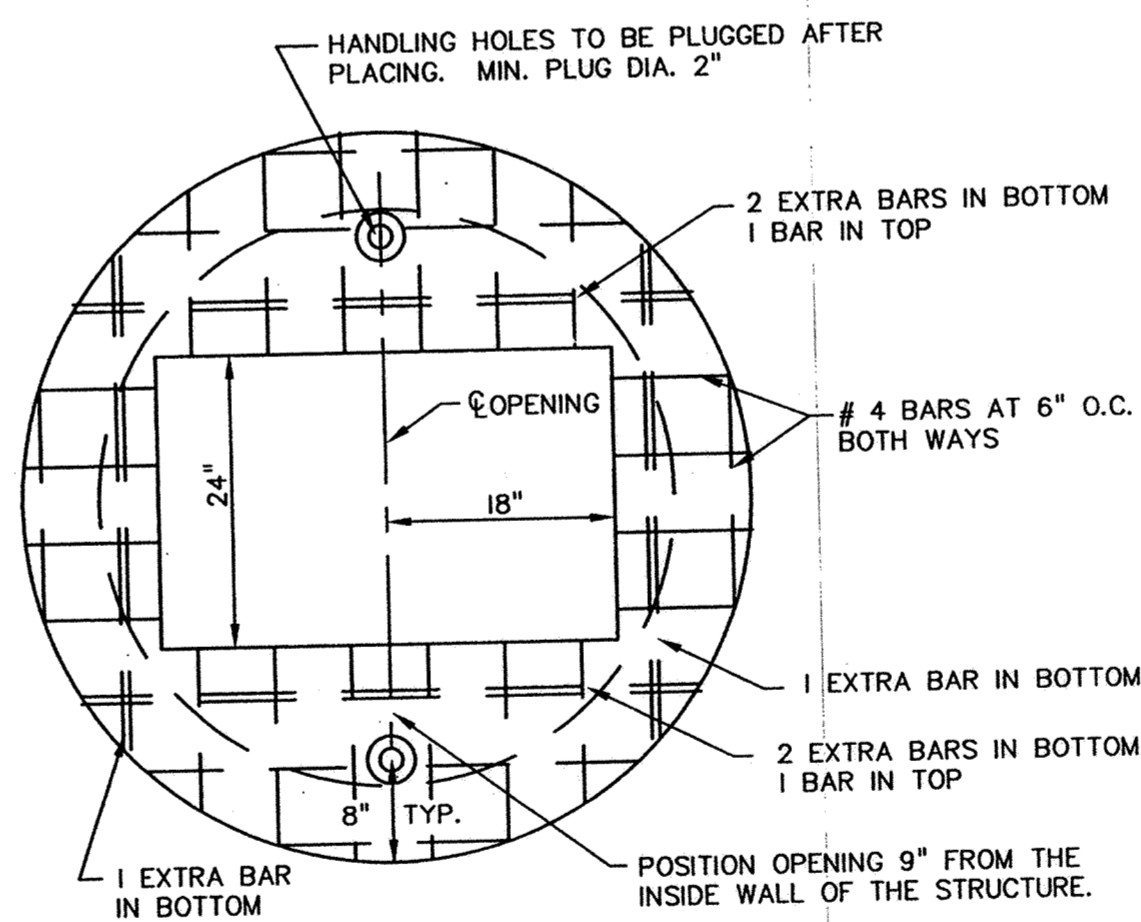


CASTINGS SHALL BE NEENAH R-3067-L OR EQUAL

STANDARD INLET CASTING

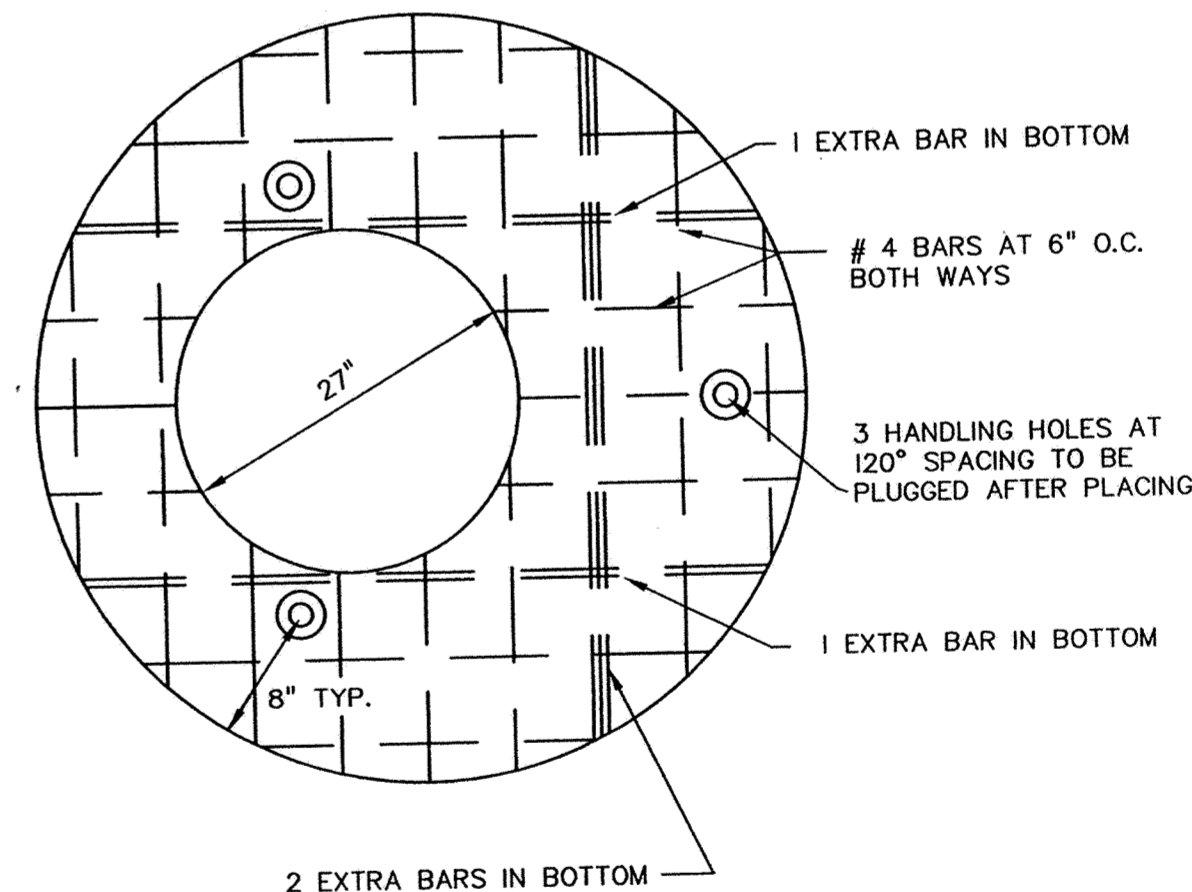


STANDARD INLET CASTING (C-04)



NOTE: SLAB SHALL BE DESIGNED FOR AASHTO, H. S. 20 LIVE LOADS.

STANDARD RECTANGULAR MANHOLE SLAB TOP



NOTE: SLAB SHALL BE DESIGNED FOR AASHTO, H. S. 20 LIVE LOADS.

STANDARD CIRCULAR MANHOLE SLAB TOP (D-04)

John Oliver & Associates, Inc.
 Civil Engineering, Land Surveying, Land Planning
 580 Dodge Avenue
 Elk River, Minnesota 55330
 763-441-2072 FAX 763-441-5665
 Offices in: Elk River, Burnsville
 and Brooklyn Center, Minnesota

MISSISSIPPI OAKS 3RD ADDITION
 ELK RIVER, MN
 FOR
 MISSISSIPPI OAKS DEVELOPMENT CORP.
 DETAIL SHEET

SHEET NO.
 11 OF 13

DRAWING NUMBER

DRAWING NUMBER

DRAWING NUMBER

DRAWING NUMBER
 MISSISSIPPI OAKS
 11