

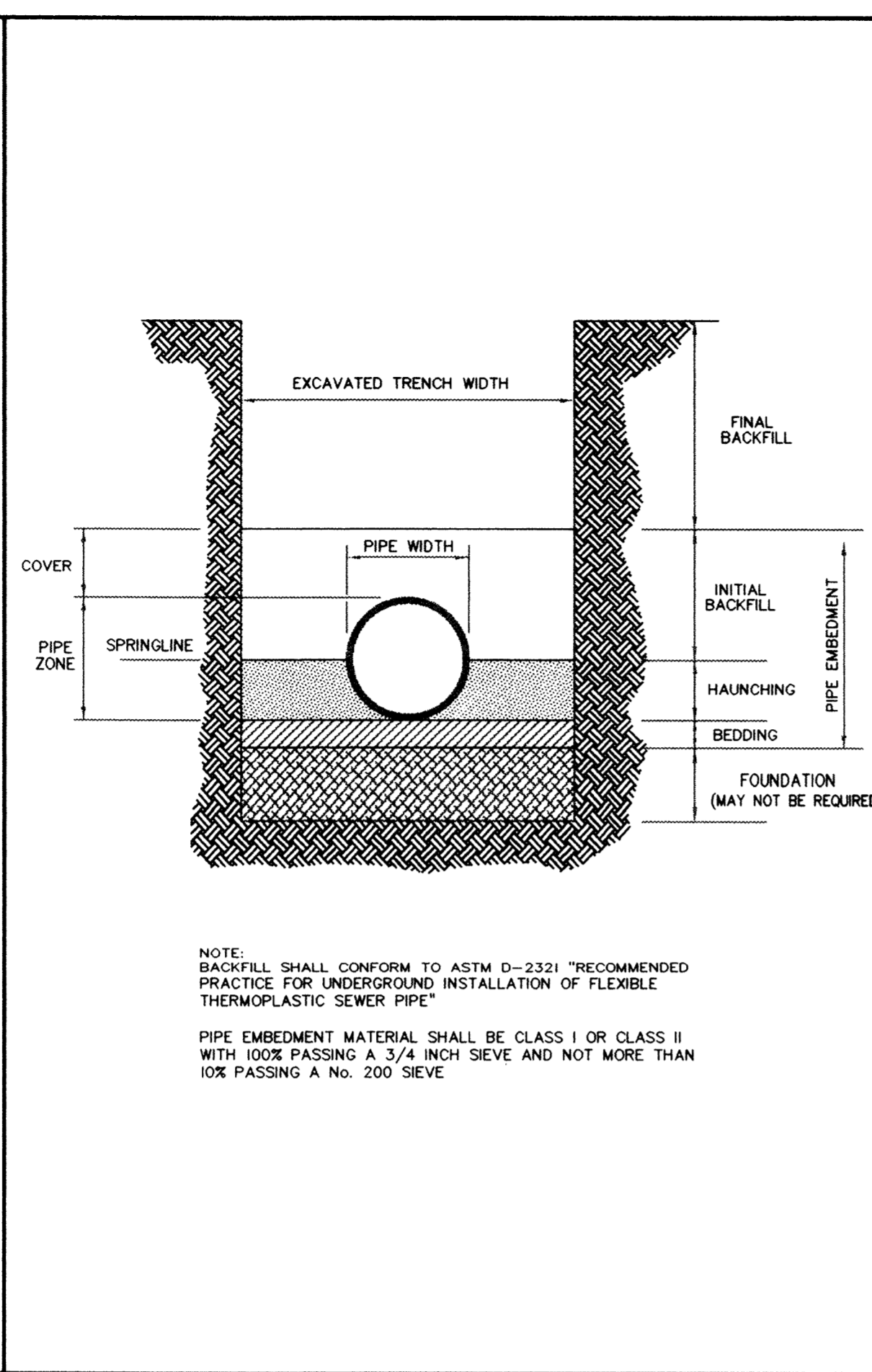
12 of 17

DRAWING NUMBER

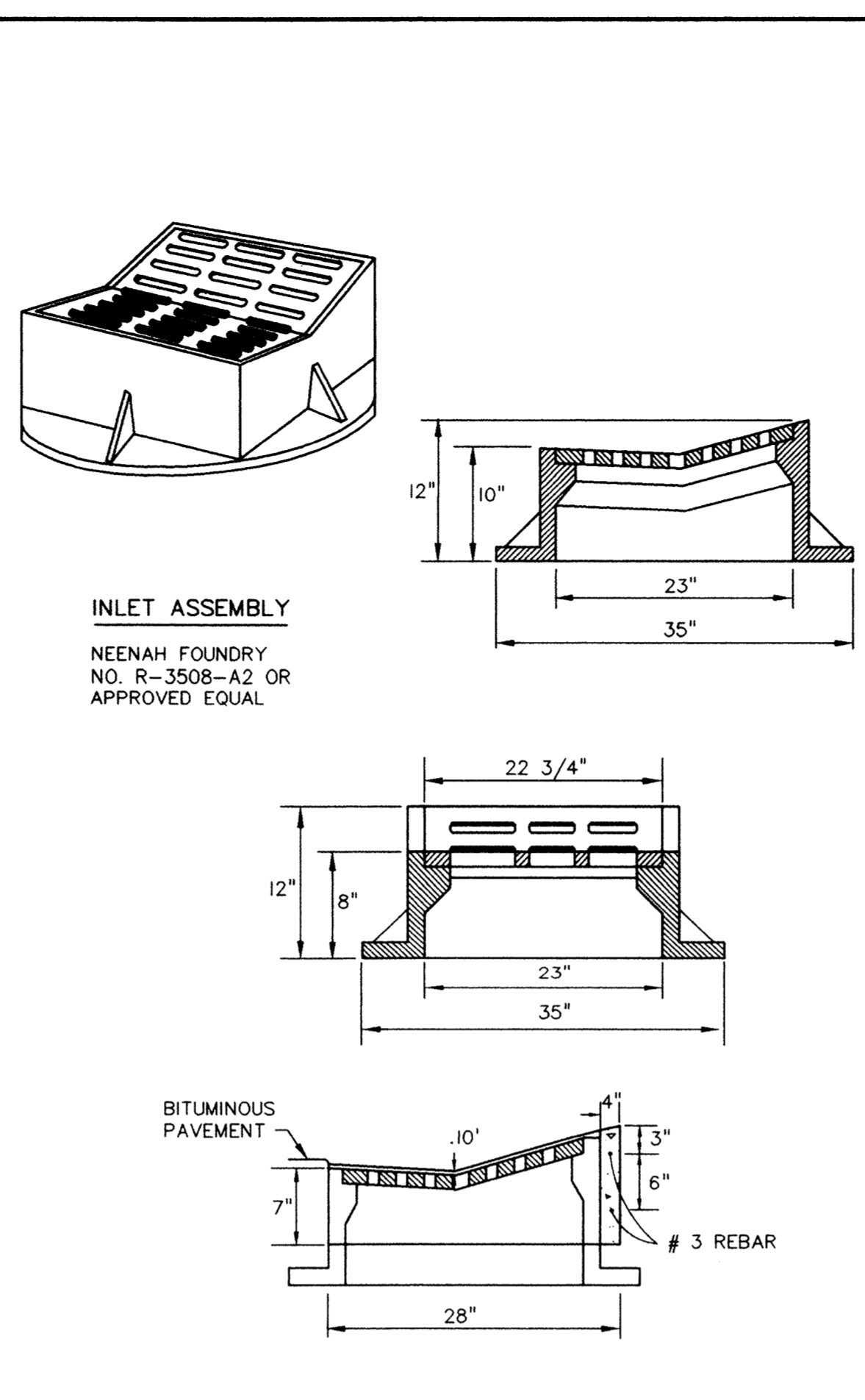
DRAWING NUMBER

DRAWING NUMBER

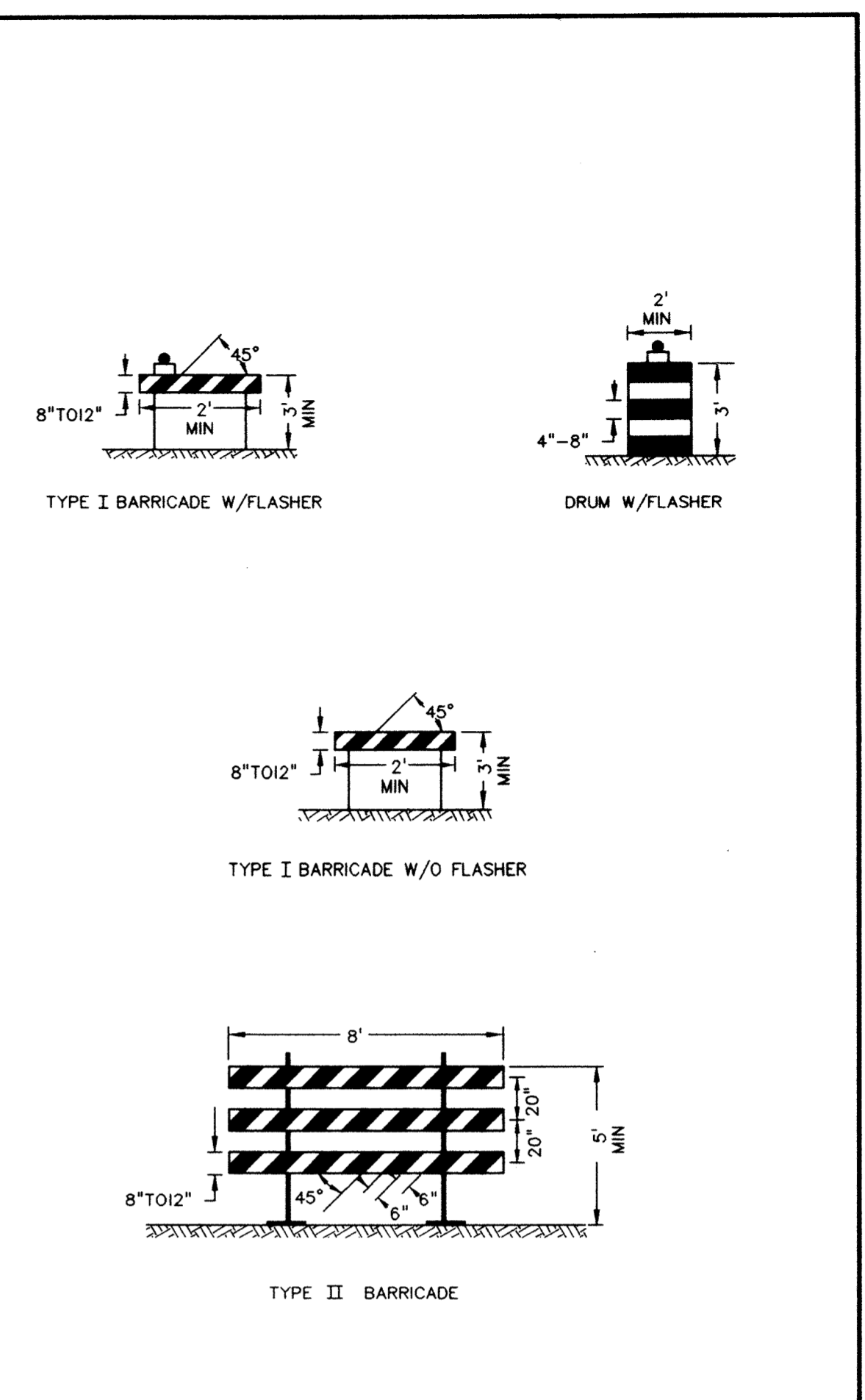
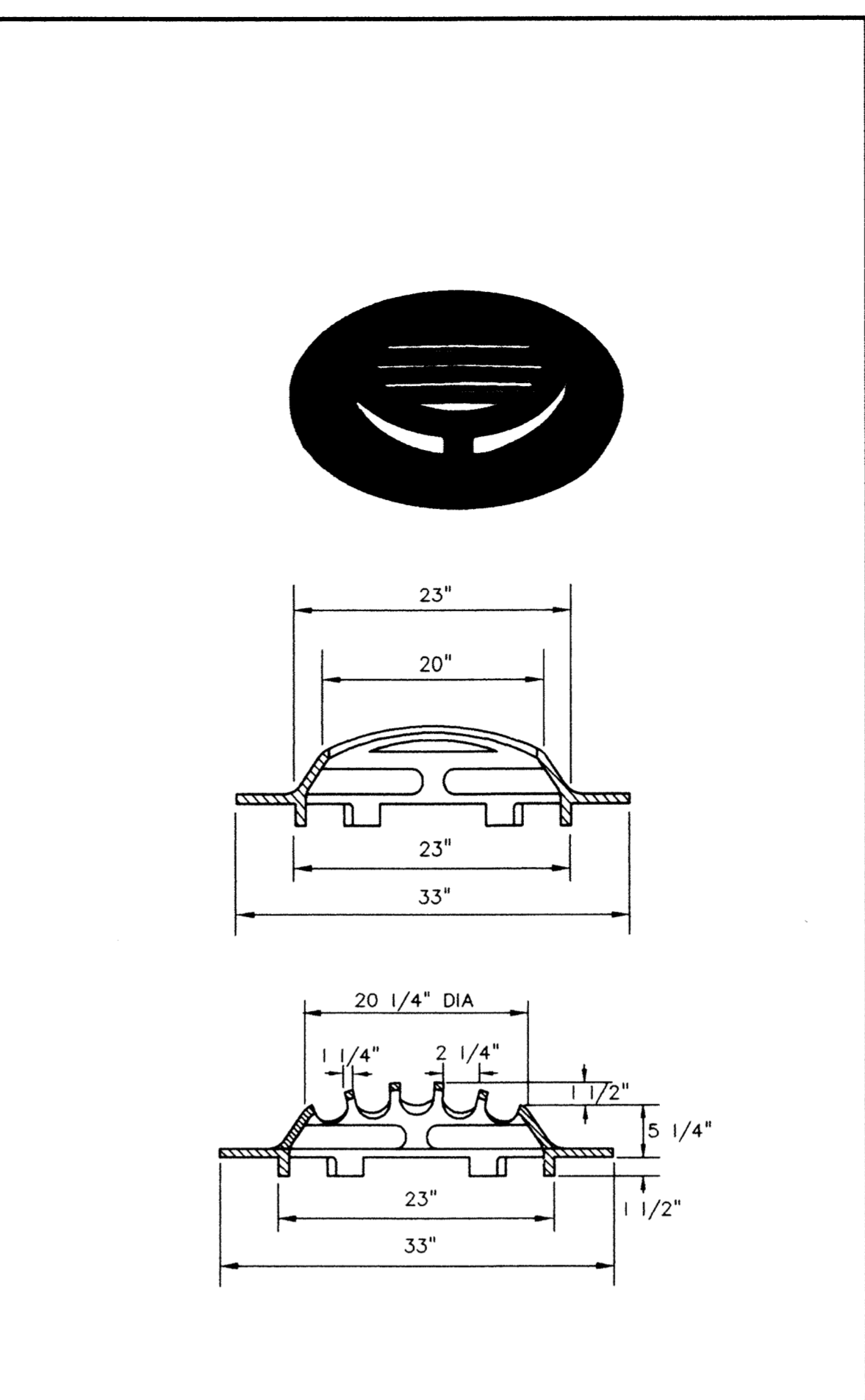
DRAWING NUMBER
MISS12.96



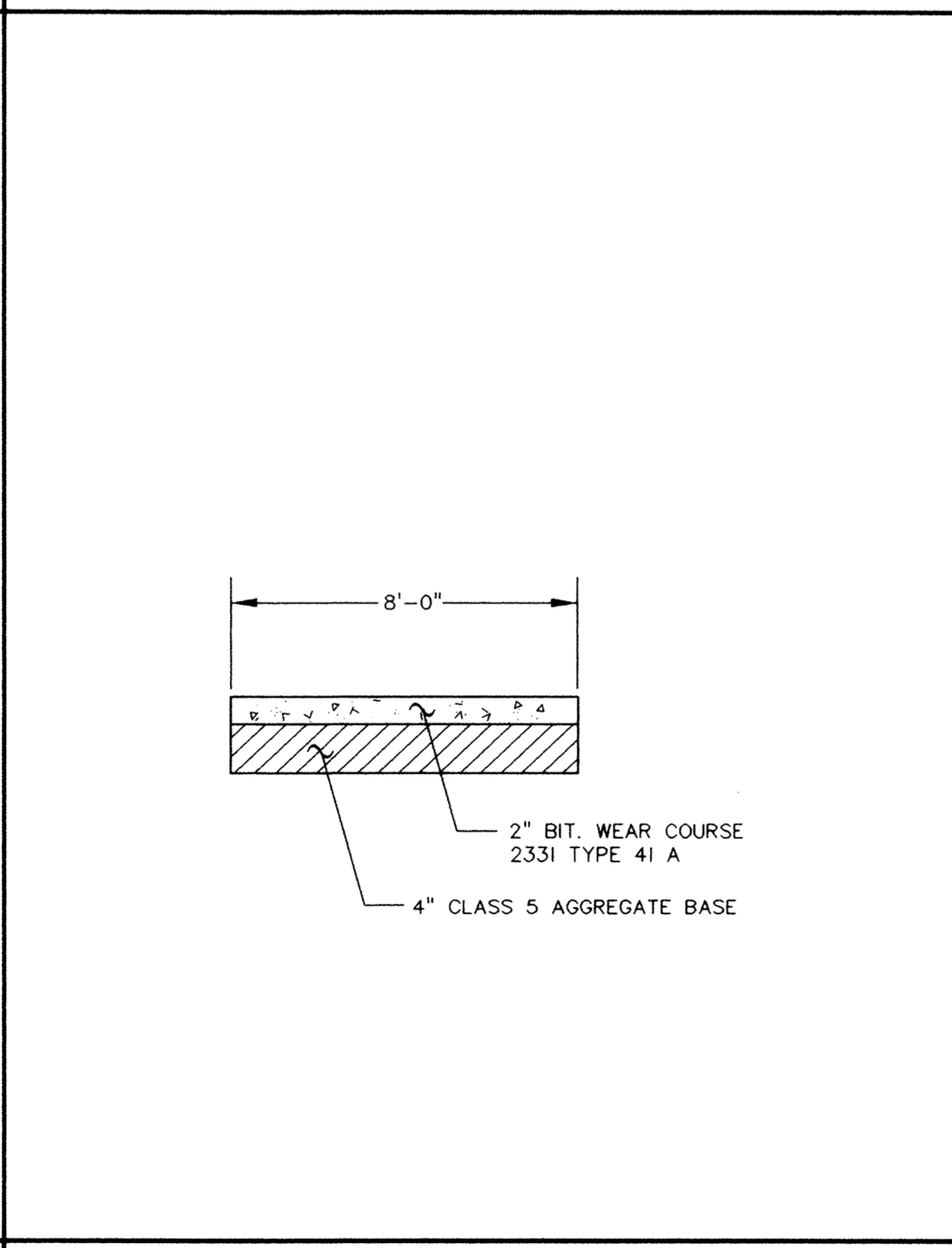
PLASTIC PIPE BEDDING (S-SP-06)



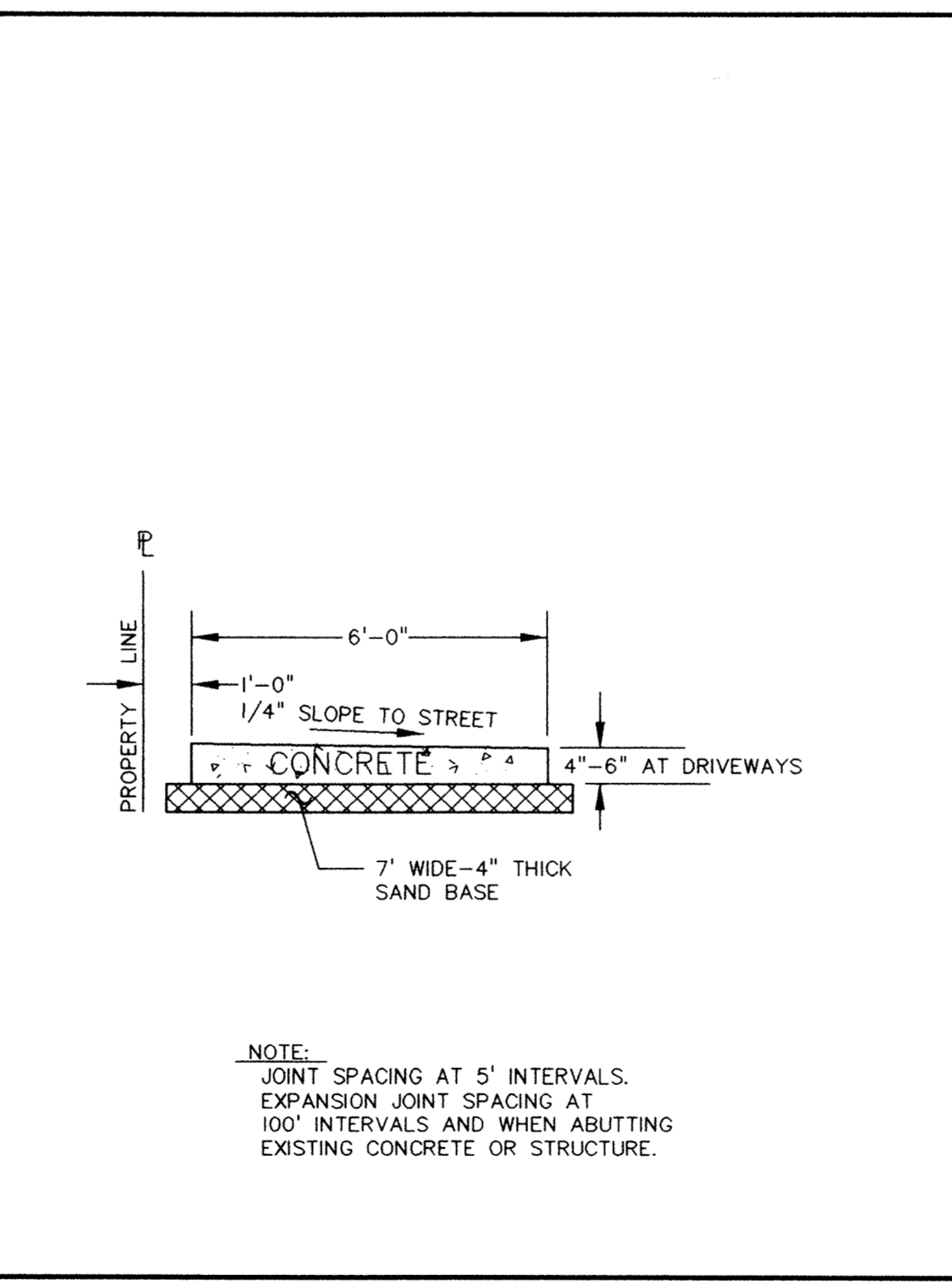
STANDARD INLET CASTING (C-06)



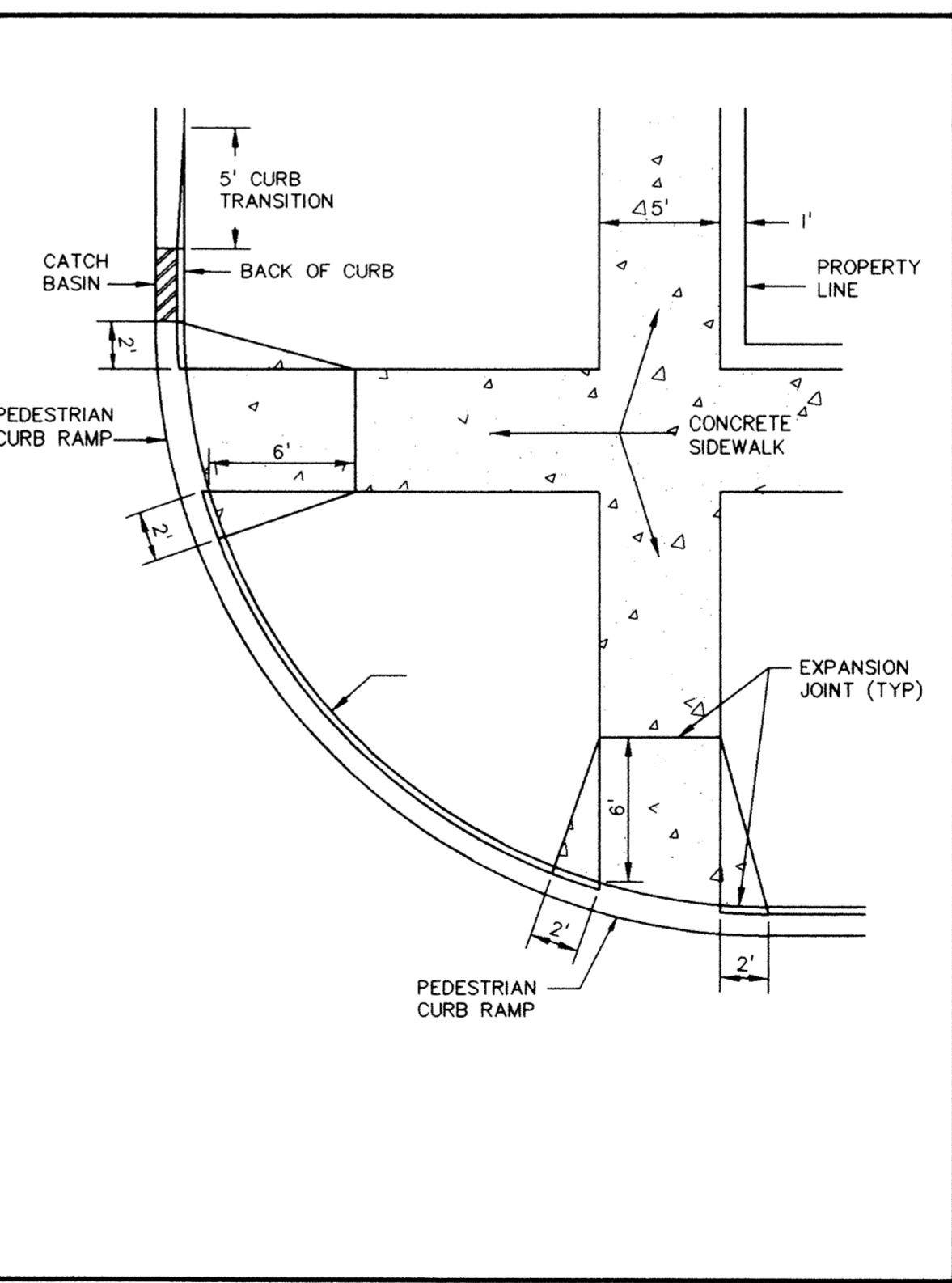
STANDARD BARRICADES (M-07)



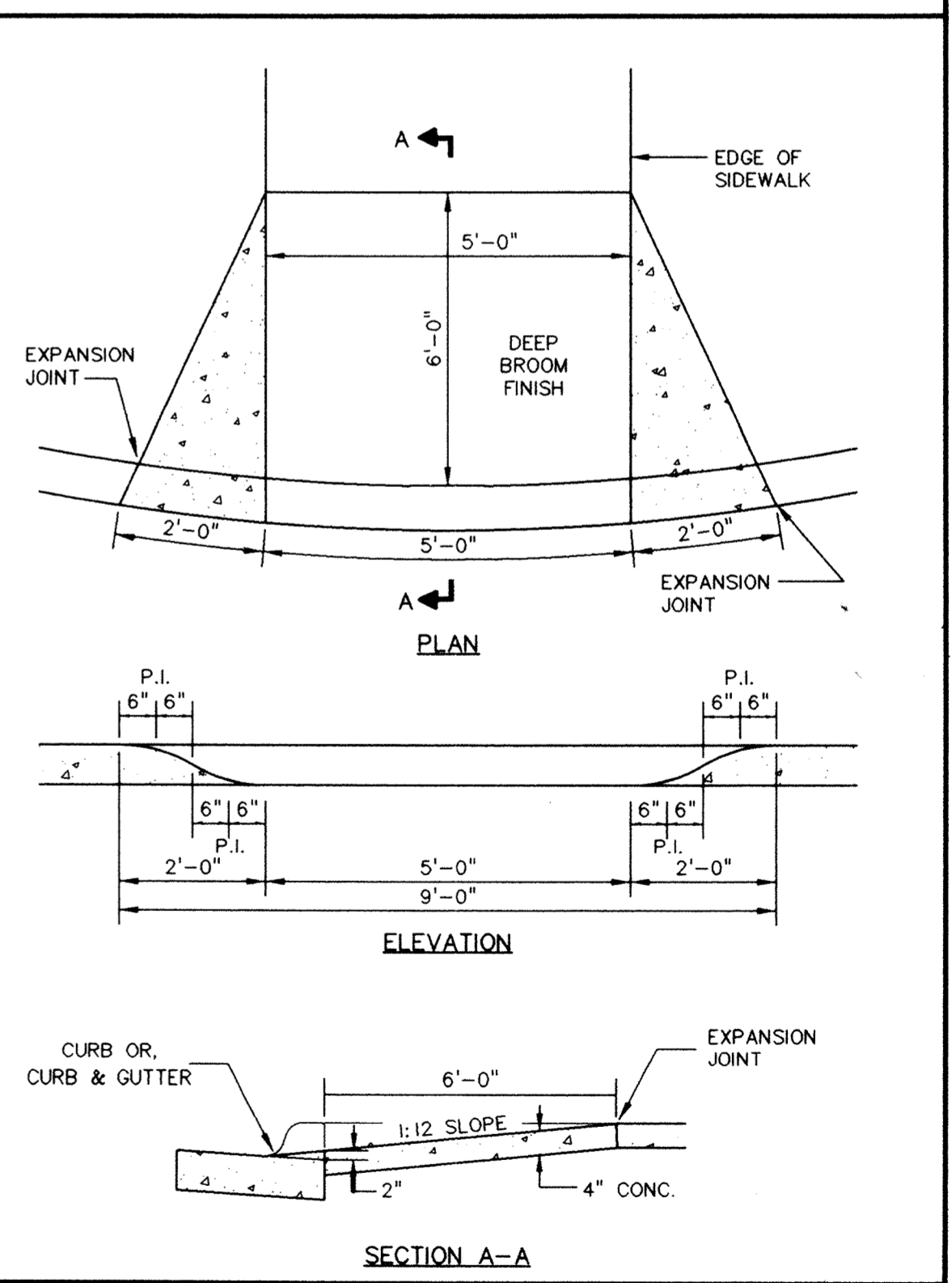
BITUMINOUS TRAIL



TYPICAL SIDEWALK



PEDESTRIAN CURB RAMP INSTALLATION (R-13)



PEDESTRIAN CURB RAMP (R-11)

RECORD DRAWINGS

PRIME CONTRACTOR/UTILITIES: C. W. HOULE, INC.
CURB & GUTTER: HALVORSON CONCRETE, INC.
STREETS: BAUERLY BROS., INC.
INSPECTION: RALPH BADER, HOWARD R. GREEN CO.
SURVEY: JOHN OLIVER & ASSOCIATES, INC.
EARTHWORK: SOIL-CON, INC.
RECORD DRAWINGS: FRED FRITSCHEL, JOHN OLIVER & ASSOCIATES, INC.
CONSTRUCTED: 1997

ORIG. DATE: 5/5/95
DESIGN BY: JR, PG, TM
DRAWN BY: PG
CHECKED BY: TM

REVISIONS: 12/23/97
RECORD DRAWING

I hereby certify that this plan was prepared by me or under my direct supervision and that I am a duly Registered Professional Engineer under the laws of the State of Minnesota.

Signed: *John Oliver*
Date: 7/22/96 Reg. No. 20383

John Oliver & Associates, Inc.
Civil Engineering, Land Surveying, Land Planning
580 Dodge Avenue
Elk River, Minnesota
(612)441-2072 (FAX)441-5665

201 W. Travelers Trail, Suite 200
Burnsville, MN 55337
(612)894-3045 (FAX)894-3049

DRAWING FILE: MSDET3.DWG
TEXT FILE:

MISSISSIPPI OAKS SECOND ADDITION
DETAILS

SHEET 12 OF 12
FILE NO. 6521.20-03

1136