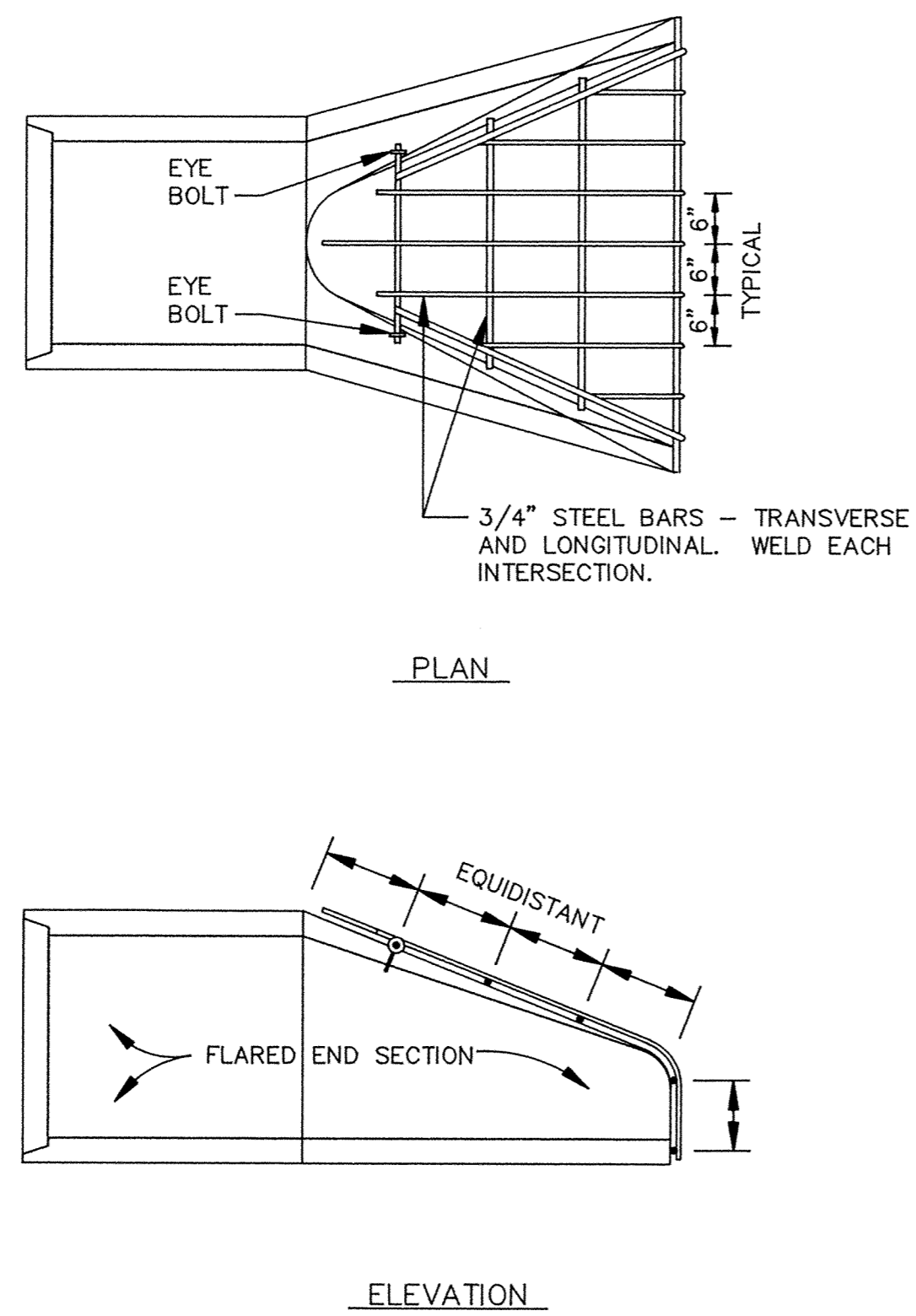
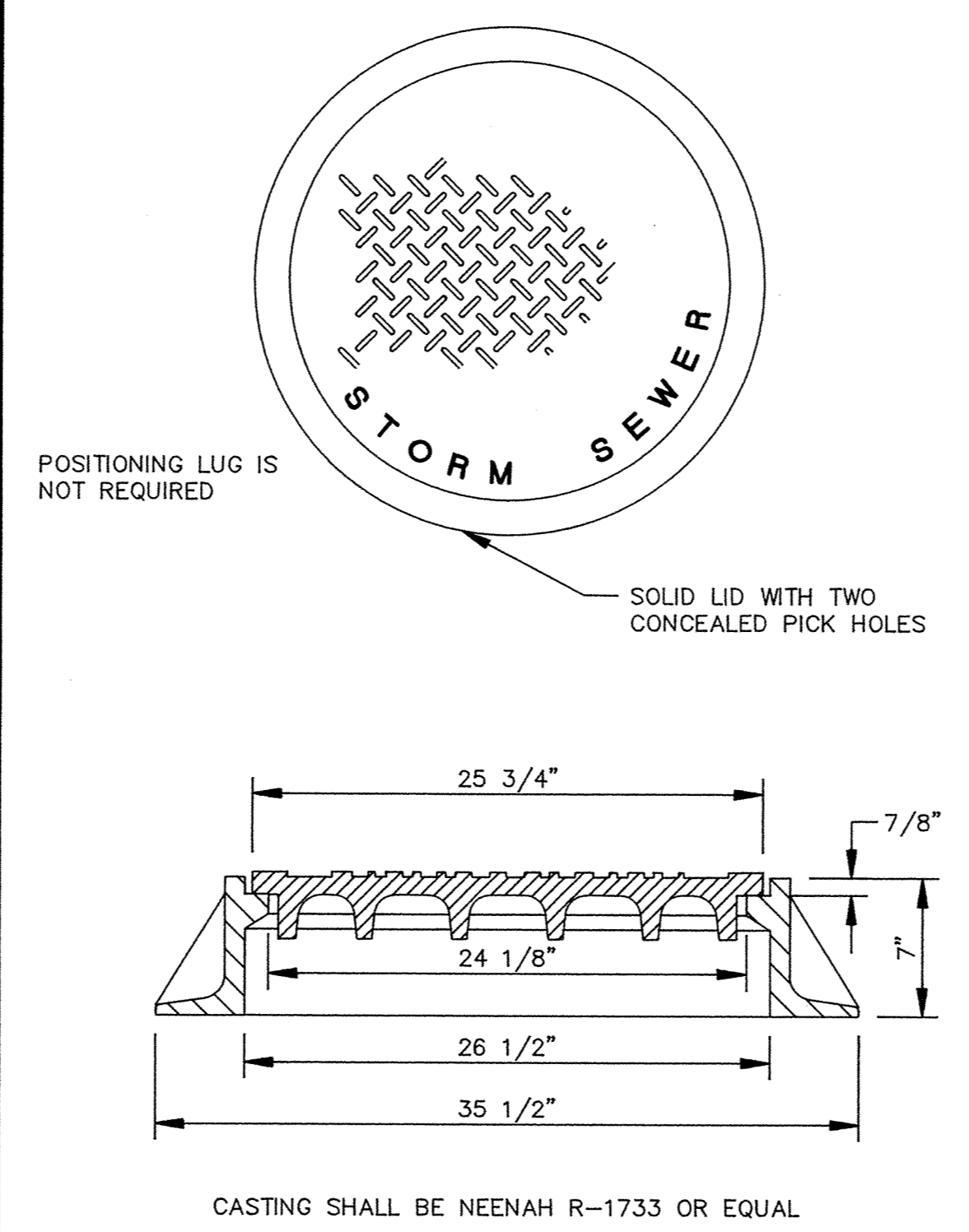


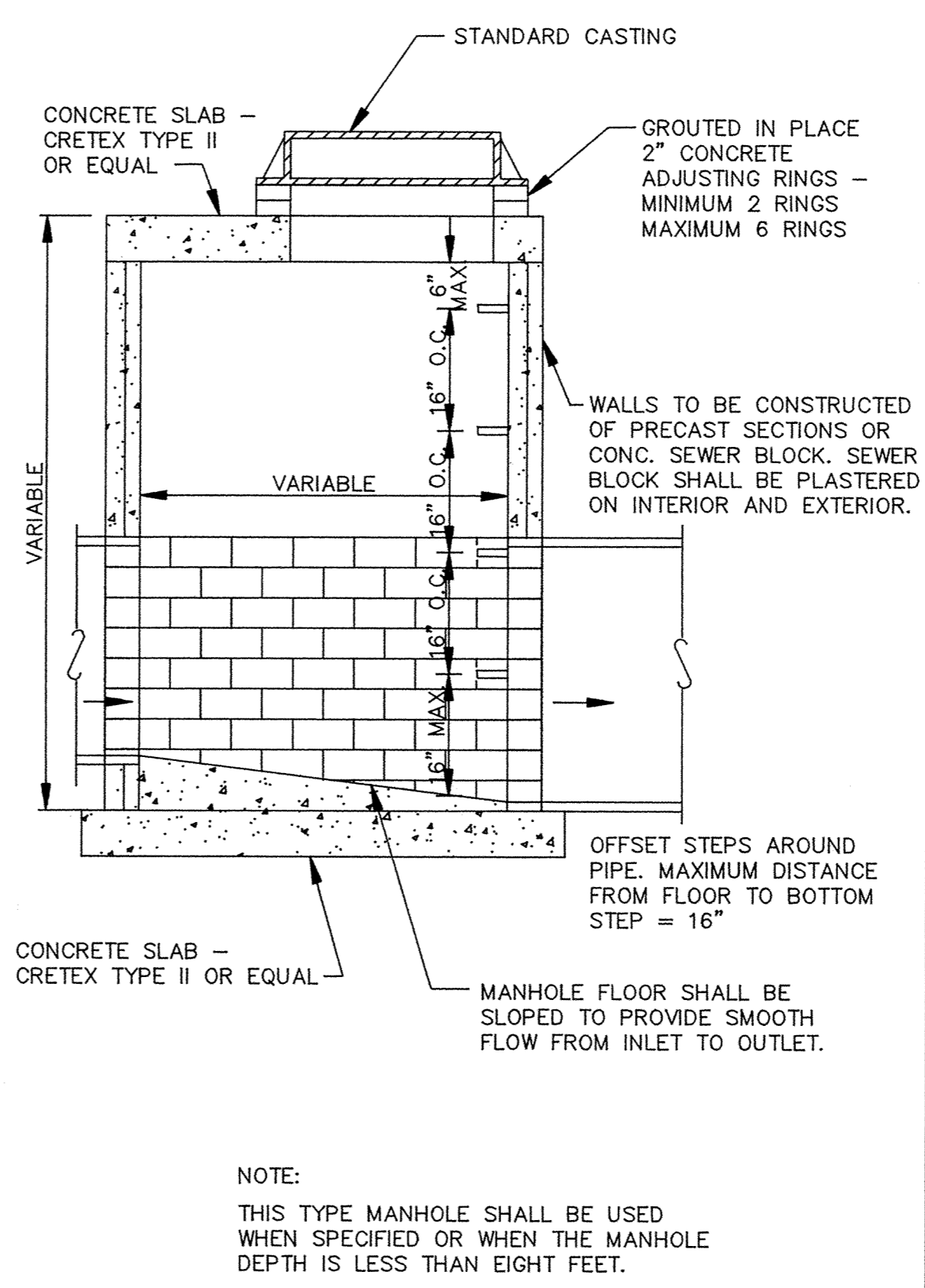
RIP-RAP INSTALLATION



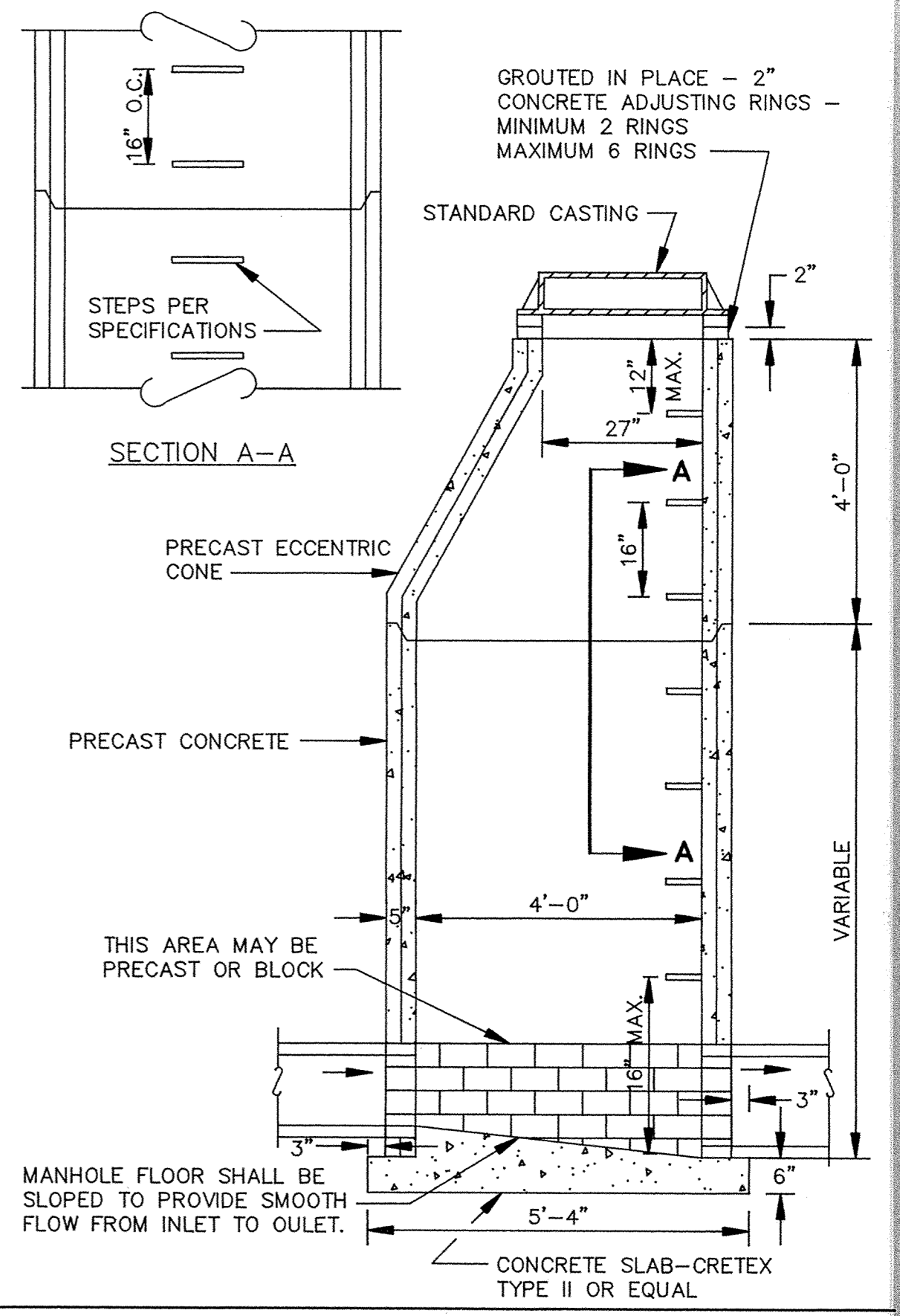
TRASH GUARD



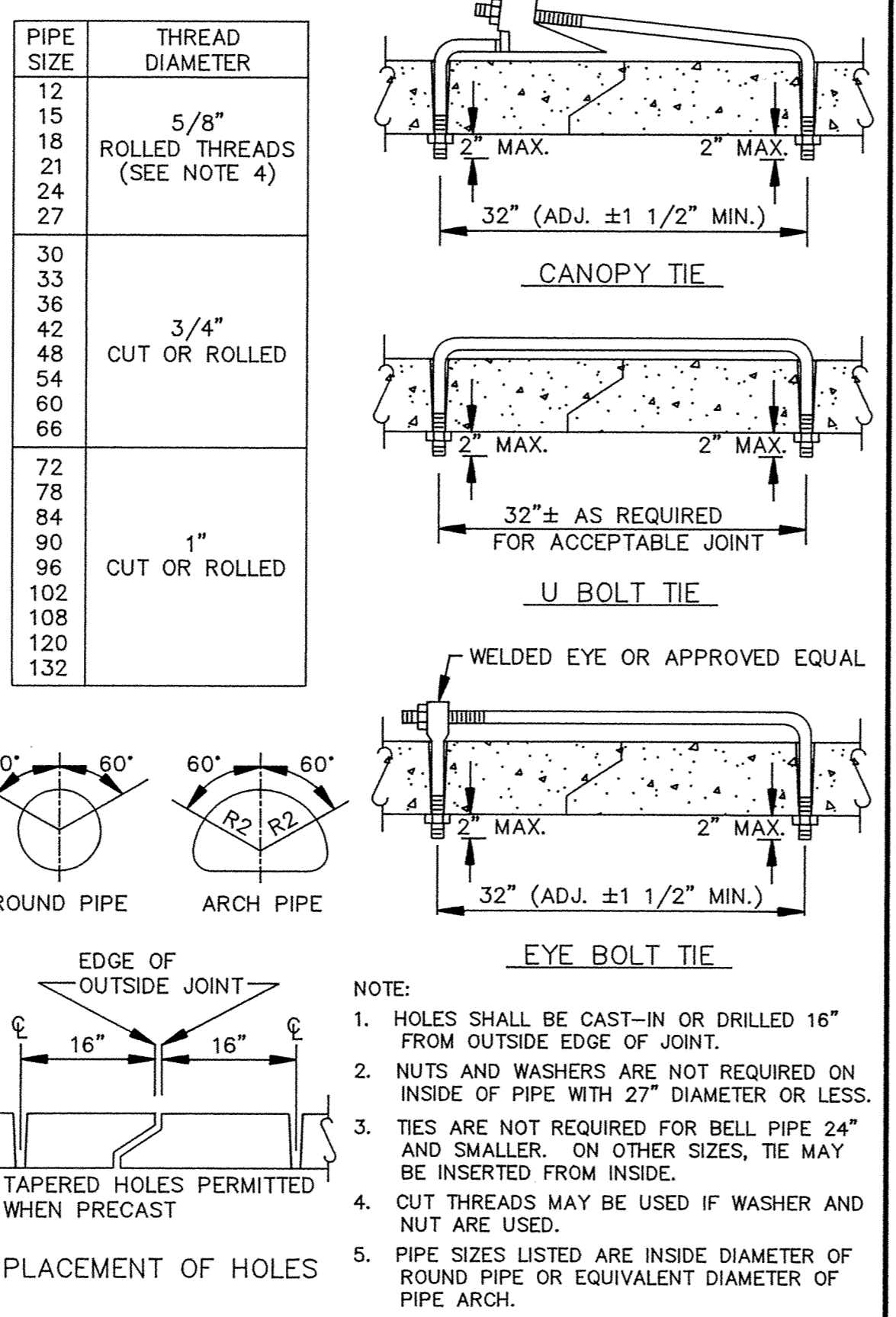
STANDARD MANHOLE CASTING



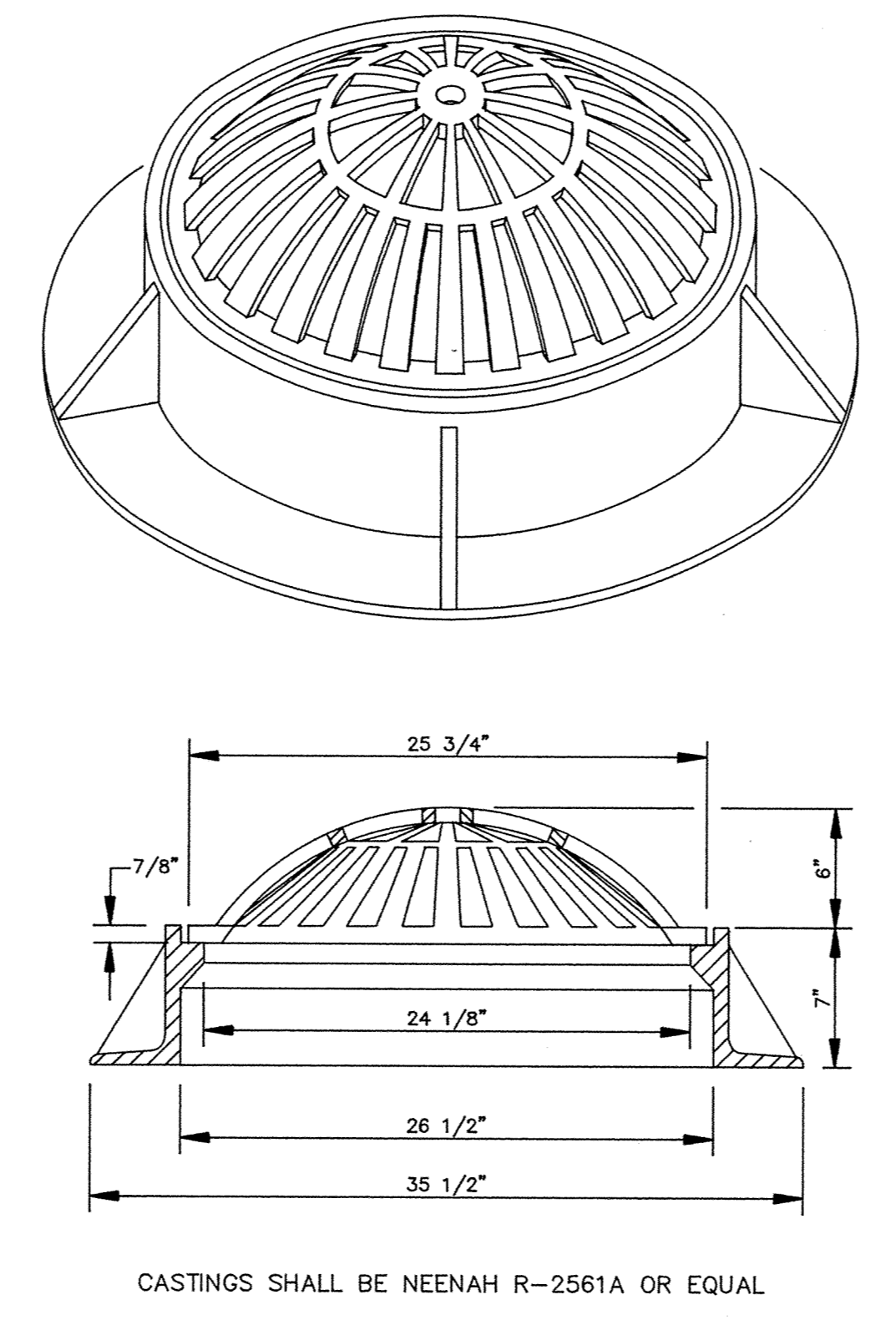
SLAB TOP MANHOLE



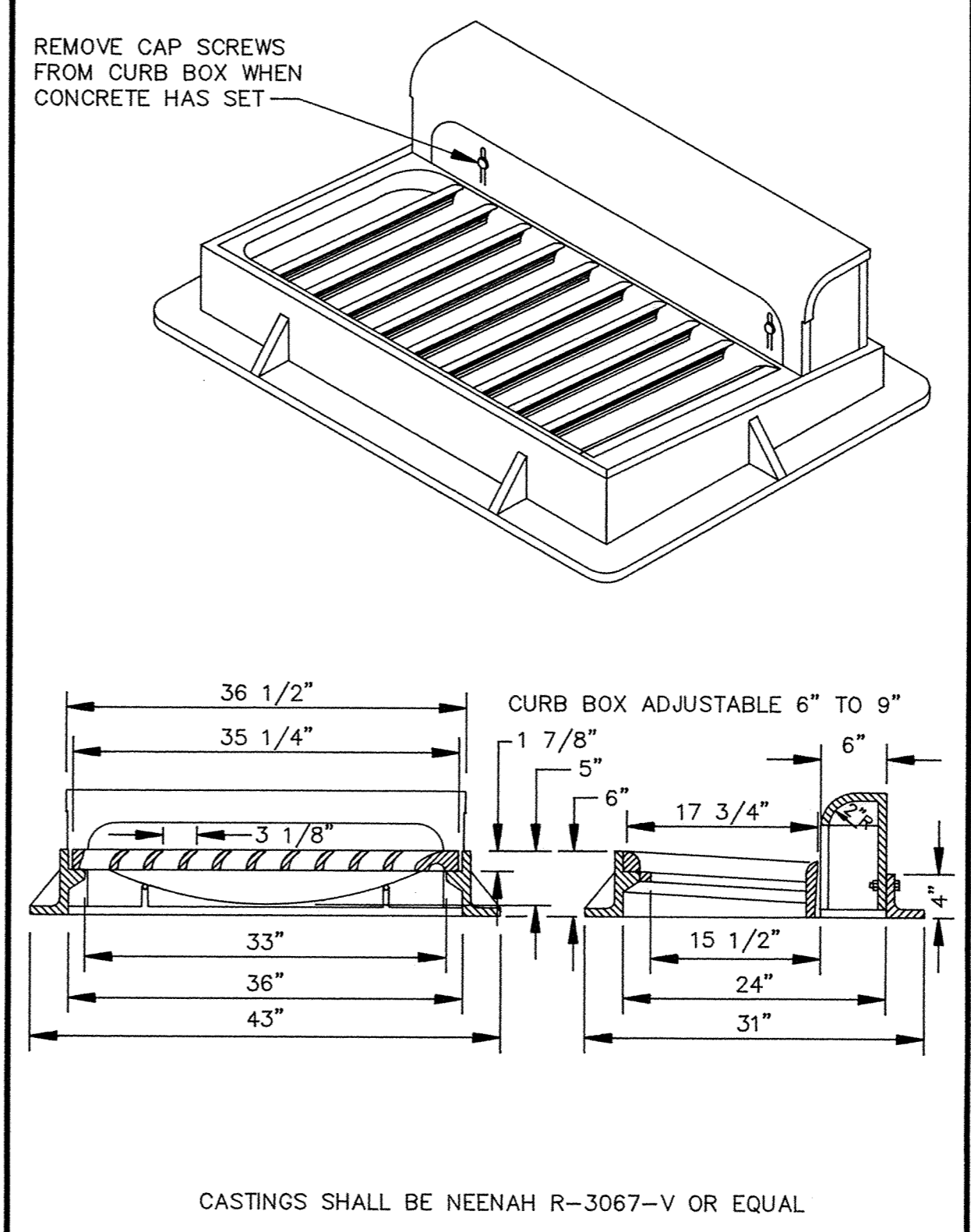
STANDARD MANHOLE



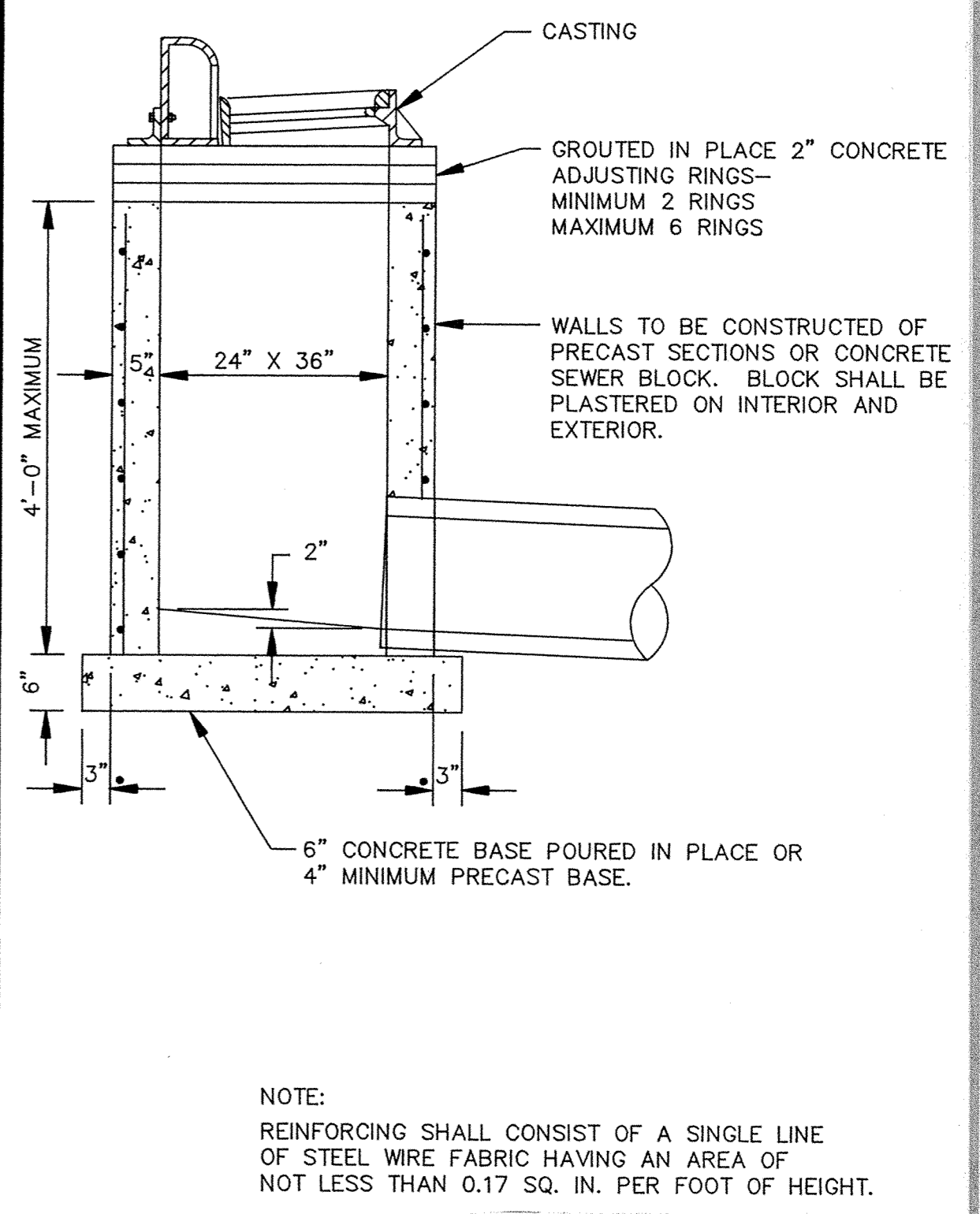
CONCRETE PIPE JOINT TIES



BEEHIVE CASTING



STANDARD INLET CASTING



SHALLOW CATCH BASIN

I HEREBY CERTIFY THAT THIS PLAN, SPECIFICATION, OR REPORT WAS PREPARED BY ME OR UNDER MY DIRECT SUPERVISION AND THAT I AM A DULY REGISTERED PROFESSIONAL ENGINEER UNDER THE LAWS OF THE STATE OF MINNESOTA.
Mark L. Graham
 DATE 7/2/93 REG. NO. 19130

Maier Stewart & Associates Inc.
 CONSULTING ENGINEERS
 9800 SHELARD PARKWAY (612) 546-0432 MINNEAPOLIS, MINNESOTA 55441
 1959 SLOAN PLACE (612) 774-6021 ST. PAUL, MINNESOTA 55117

DATE	DESCRIPTION	DESIGNED
		CHECKED
		DRAWN MRF
		GRAPHIC SCALE
		0 HORIZ. 20
		0 VERT. 5

CITY OF ELK RIVER
 MEADOWVALE HEIGHTS
 STORM SEWER DETAILS
 DATE MAY, 1993 SHEET 14 OF 15 SHEETS PROJECT NO. 230-168

DRAWING NUMBER
 SDACO PRODUCTS • NEW HOPKINS, MINNESOTA
 REORDER BY PART NUMBER 8858
 DRAWING NUMBER
 SDACO PRODUCTS • NEW HOPKINS, MINNESOTA
 REORDER BY PART NUMBER 8858
 DRAWING NUMBER
 SDACO PRODUCTS • NEW HOPKINS, MINNESOTA
 REORDER BY PART NUMBER 8858
 DRAWING NUMBER
 MEADO. 93
 14
 DRAWING NUMBER
 634