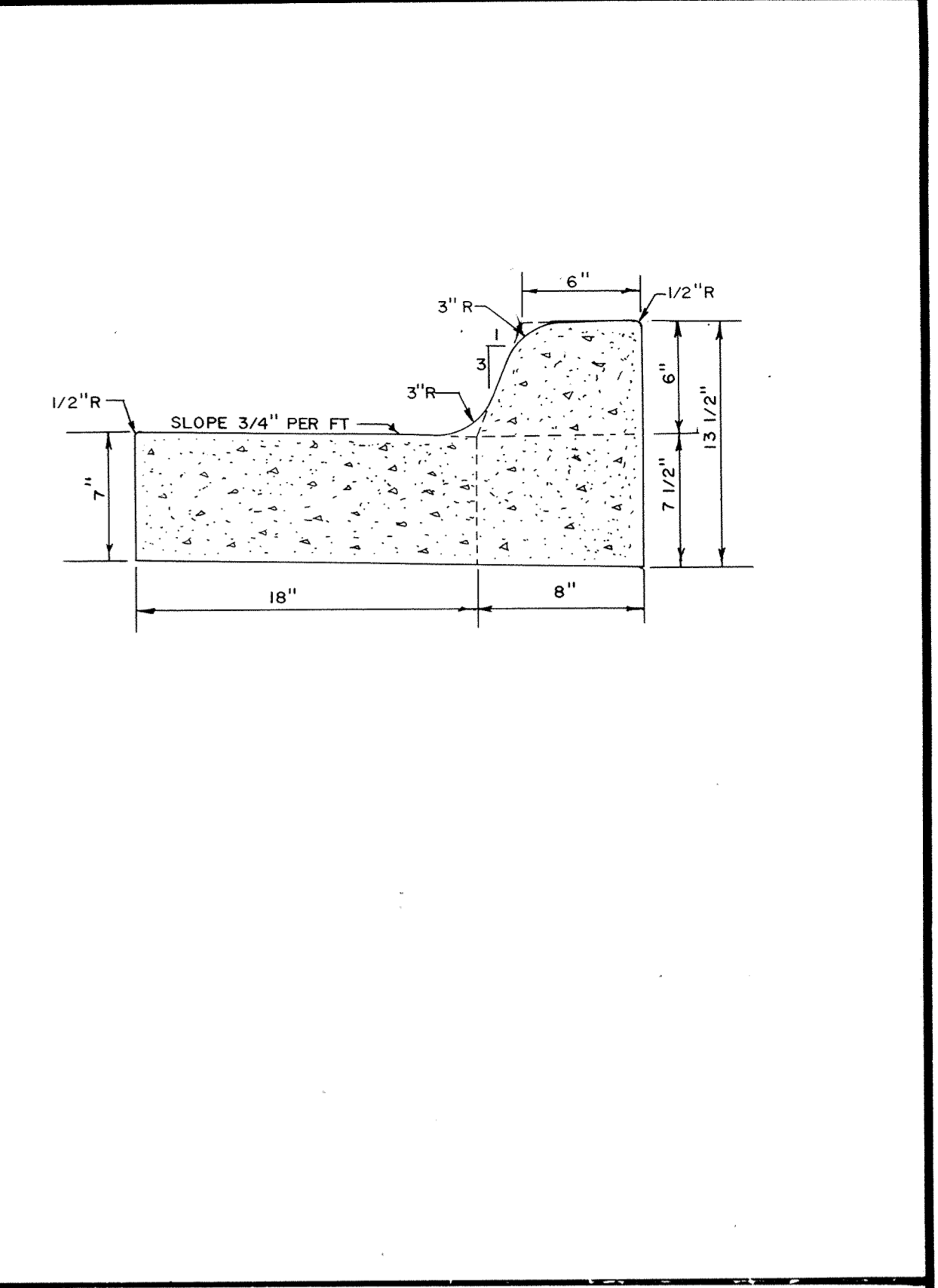
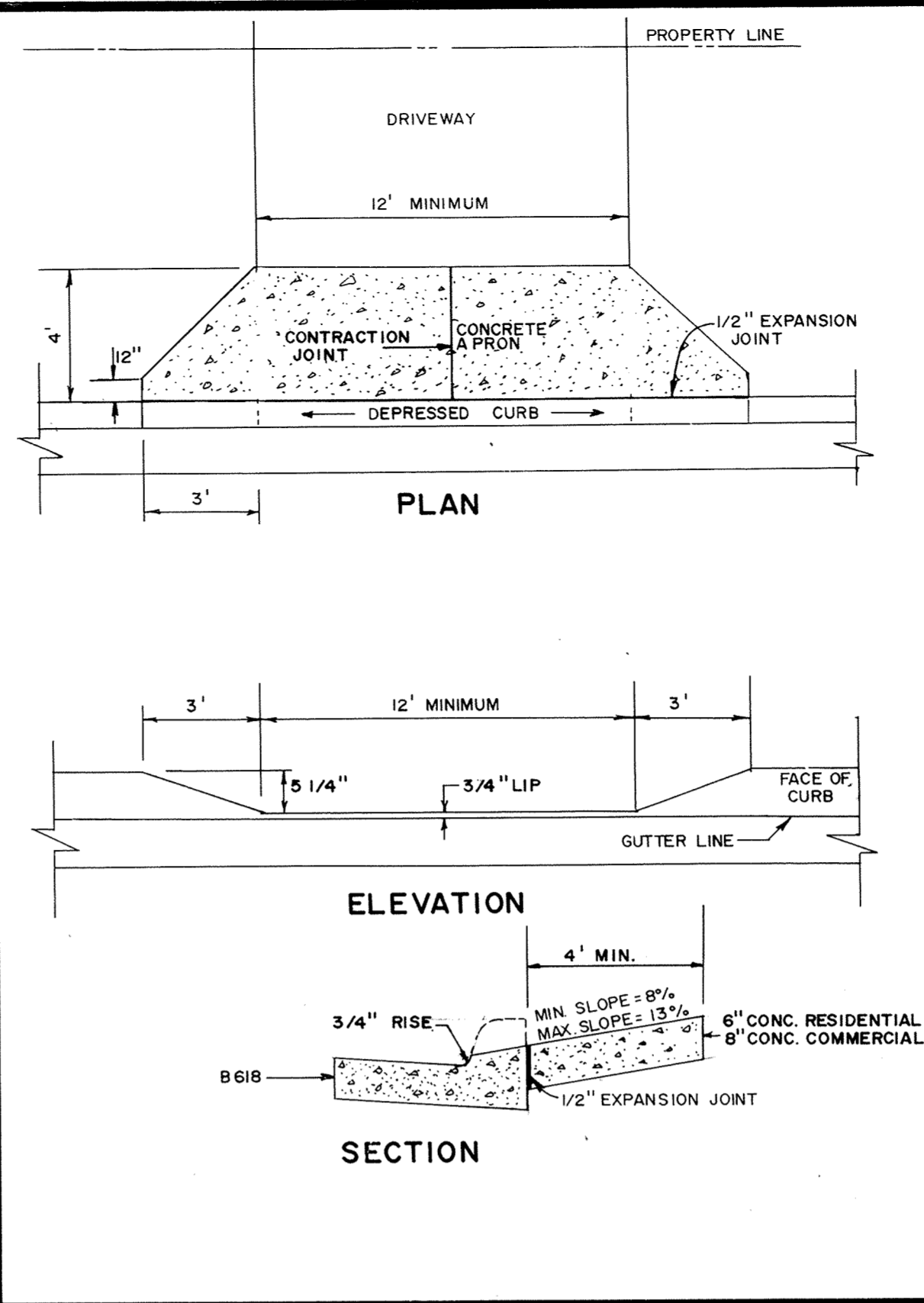


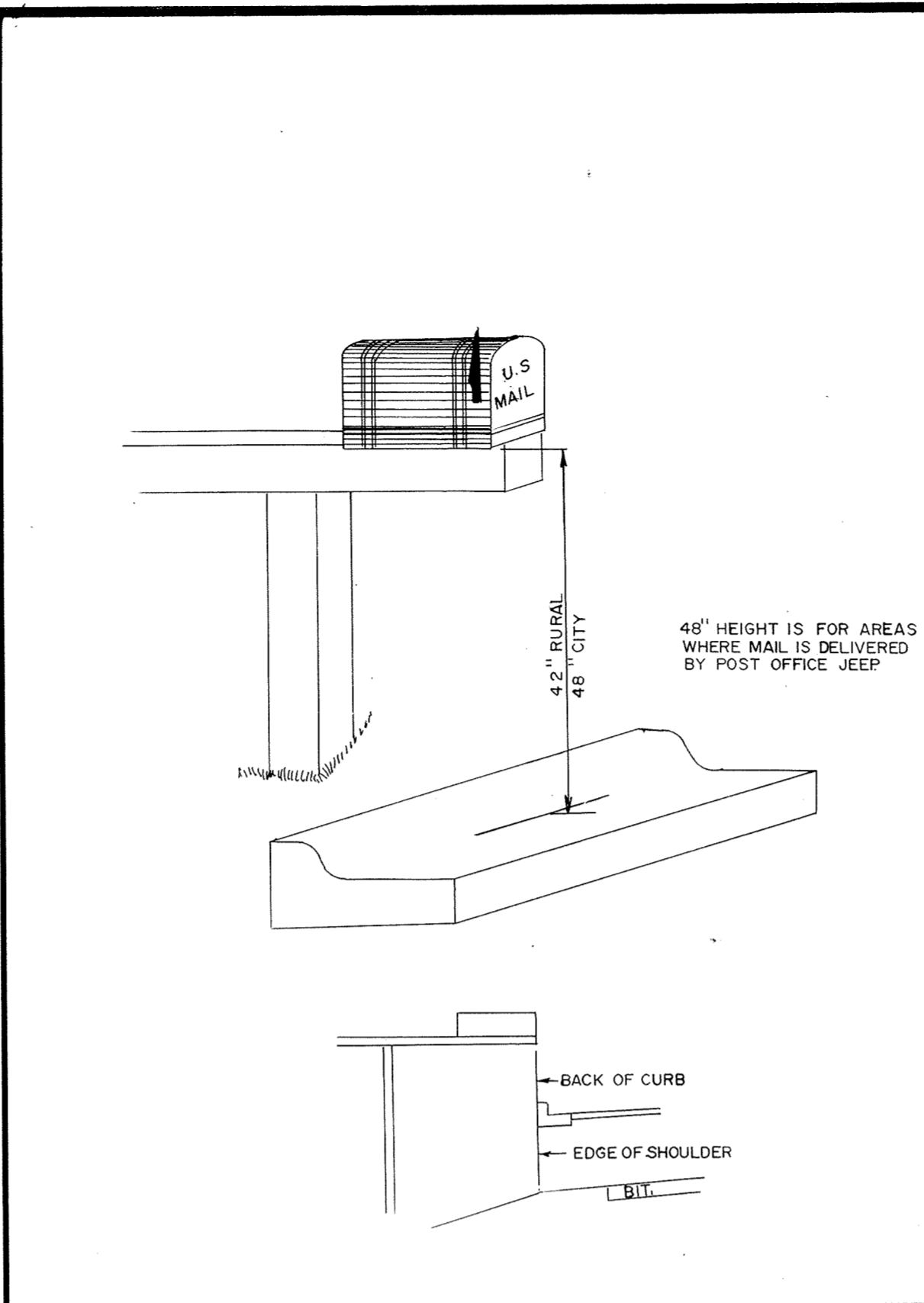
MINNESOTA BLUEPRINT
SANDCO PRODUCTS • NEW HOPE, MINNESOTA
REORDER BY PART NUMBER B052
PROVIDED FOR THE CITY OF ELK RIVER, MN
SANDCO PRODUCTS • NEW HOPE, MINNESOTA
REORDER BY PART NUMBER B052
PROVIDED FOR THE CITY OF ELK RIVER, MN
SANDCO PRODUCTS • NEW HOPE, MINNESOTA
REORDER BY PART NUMBER B052
PROVIDED FOR THE CITY OF ELK RIVER, MN



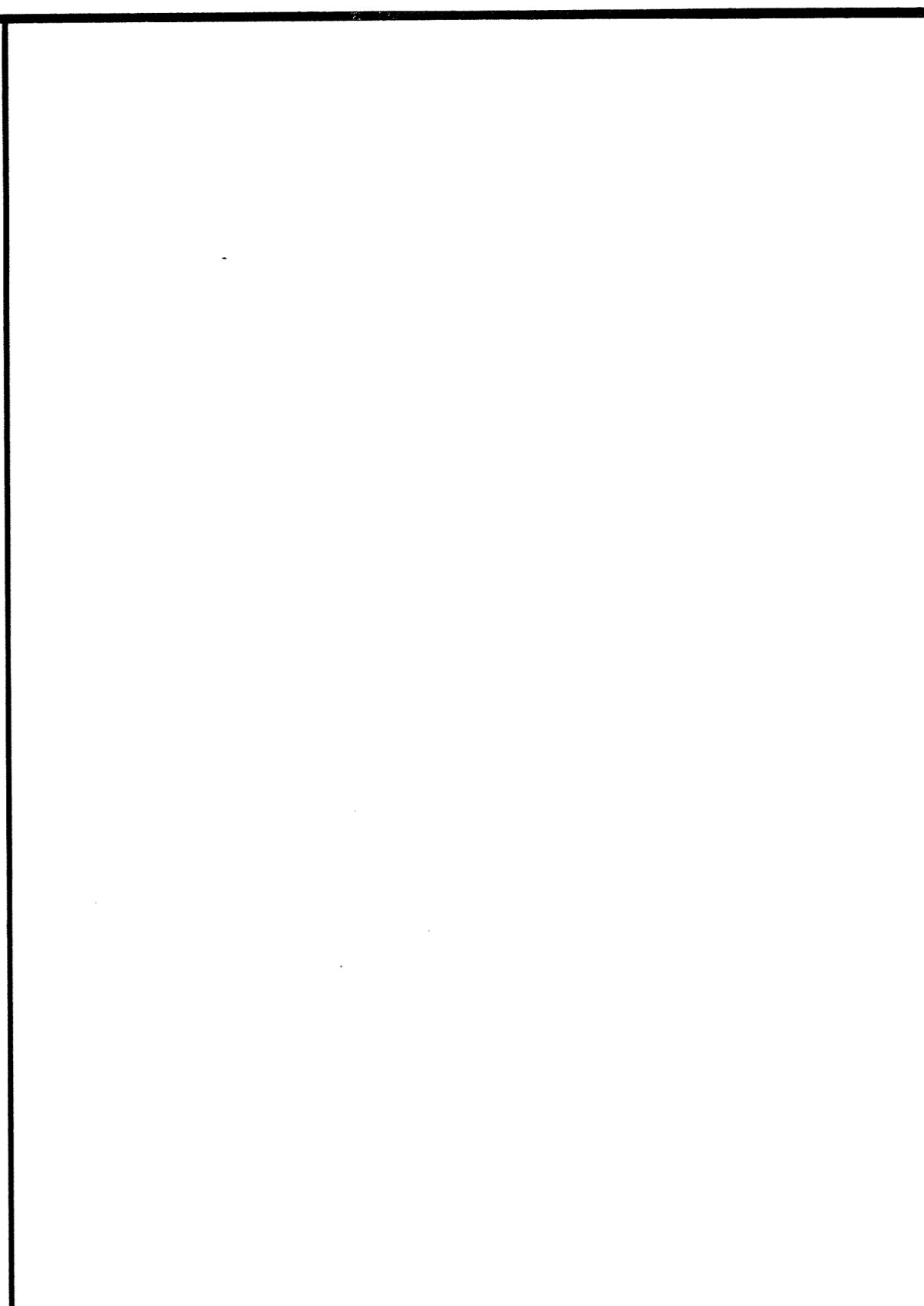
CONCRETE CURB AND GUTTER B618



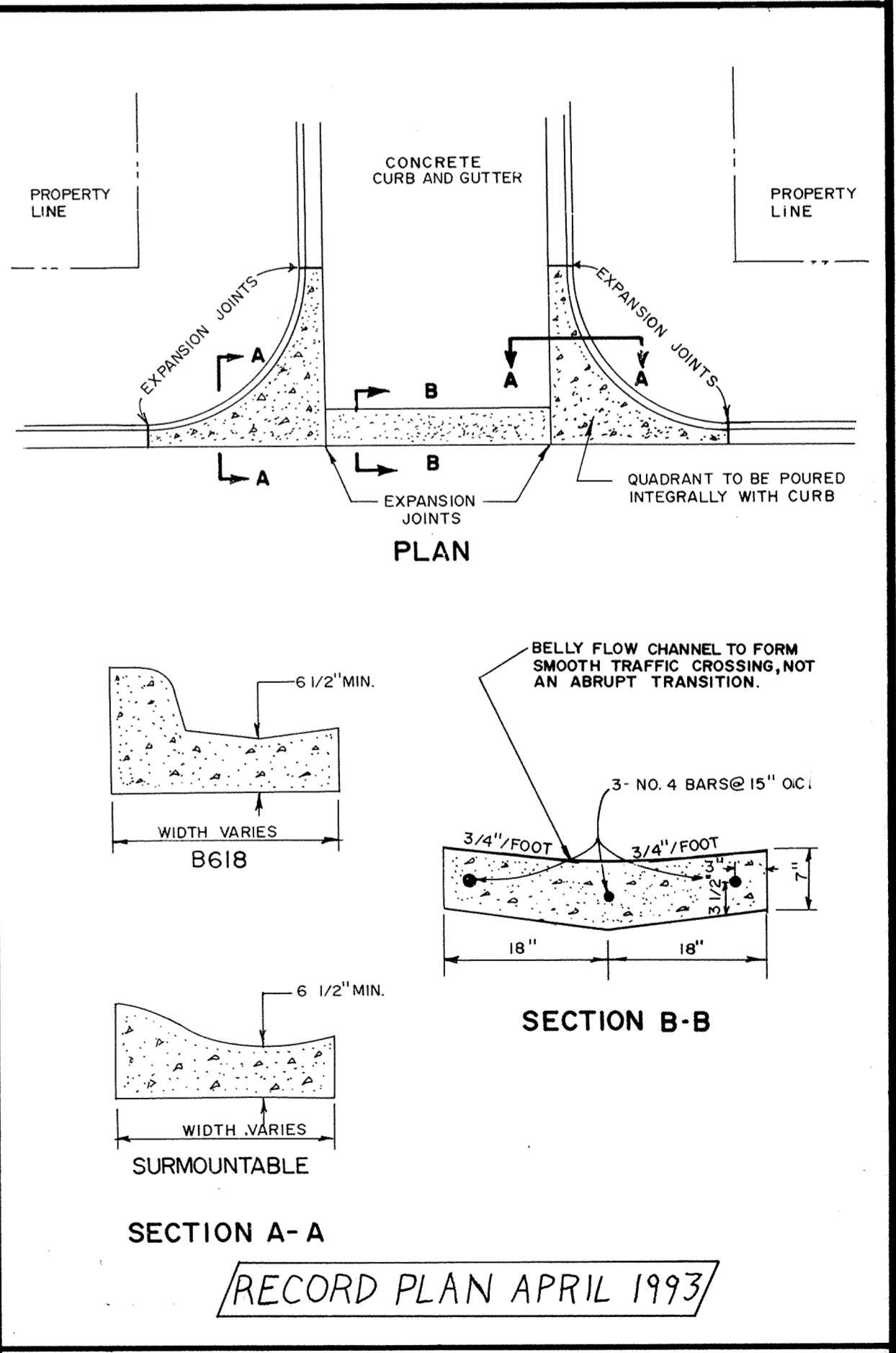
DEPRESSED CURB W/DRIVEWAY APRON



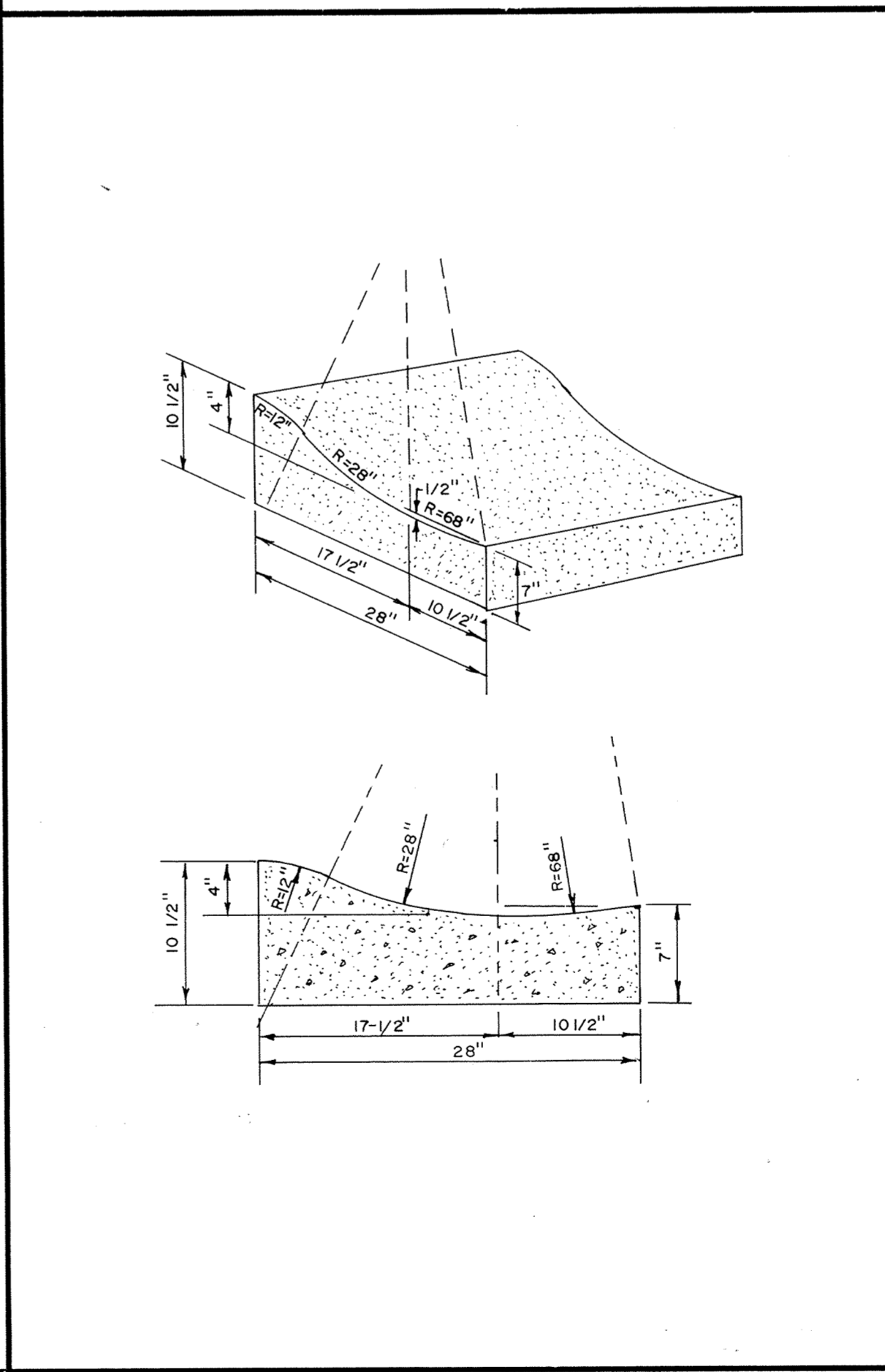
MAIL BOX



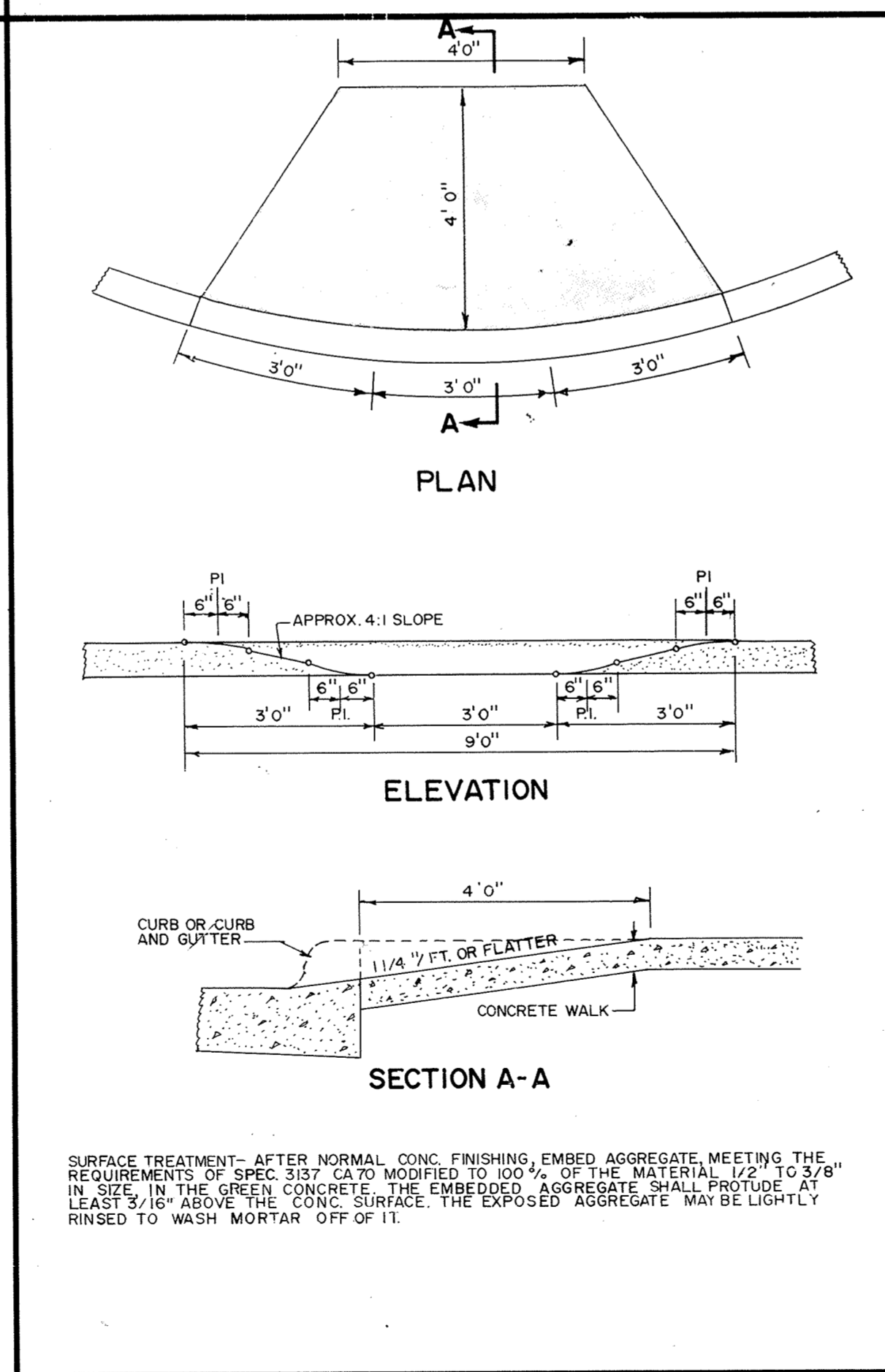
RURAL DRIVEWAY ENTRANCE



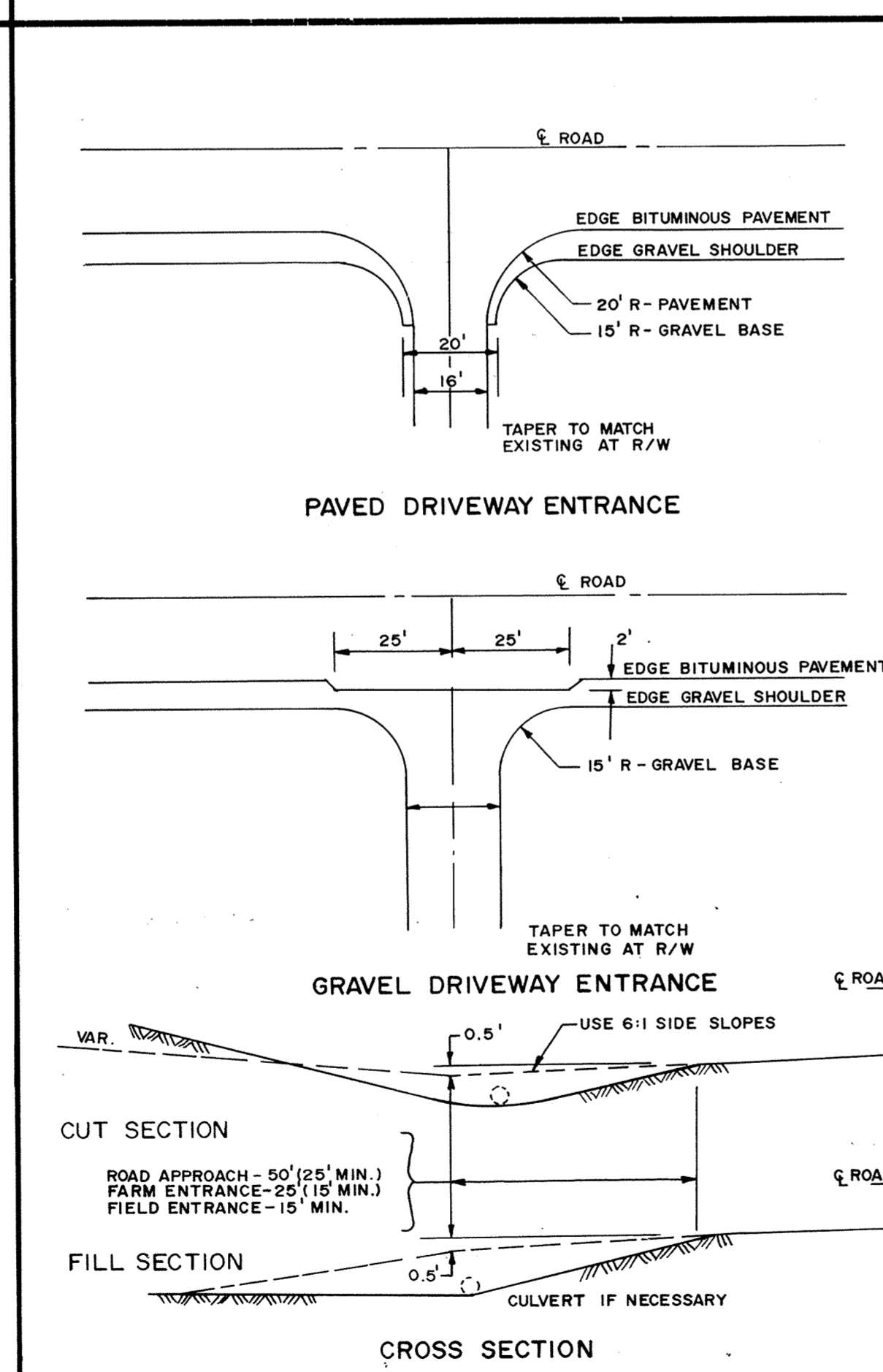
CONCRETE "V" GUTTER



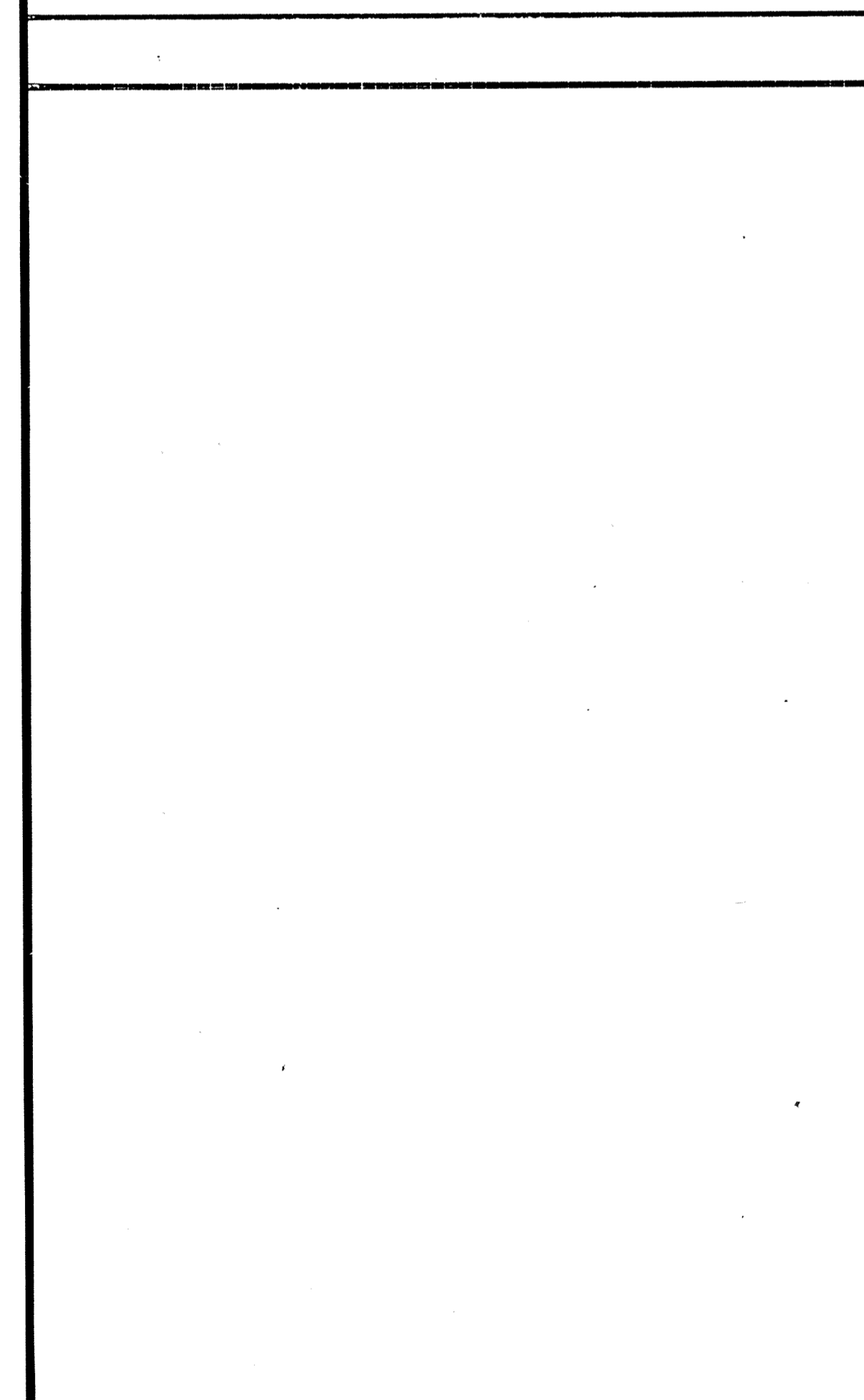
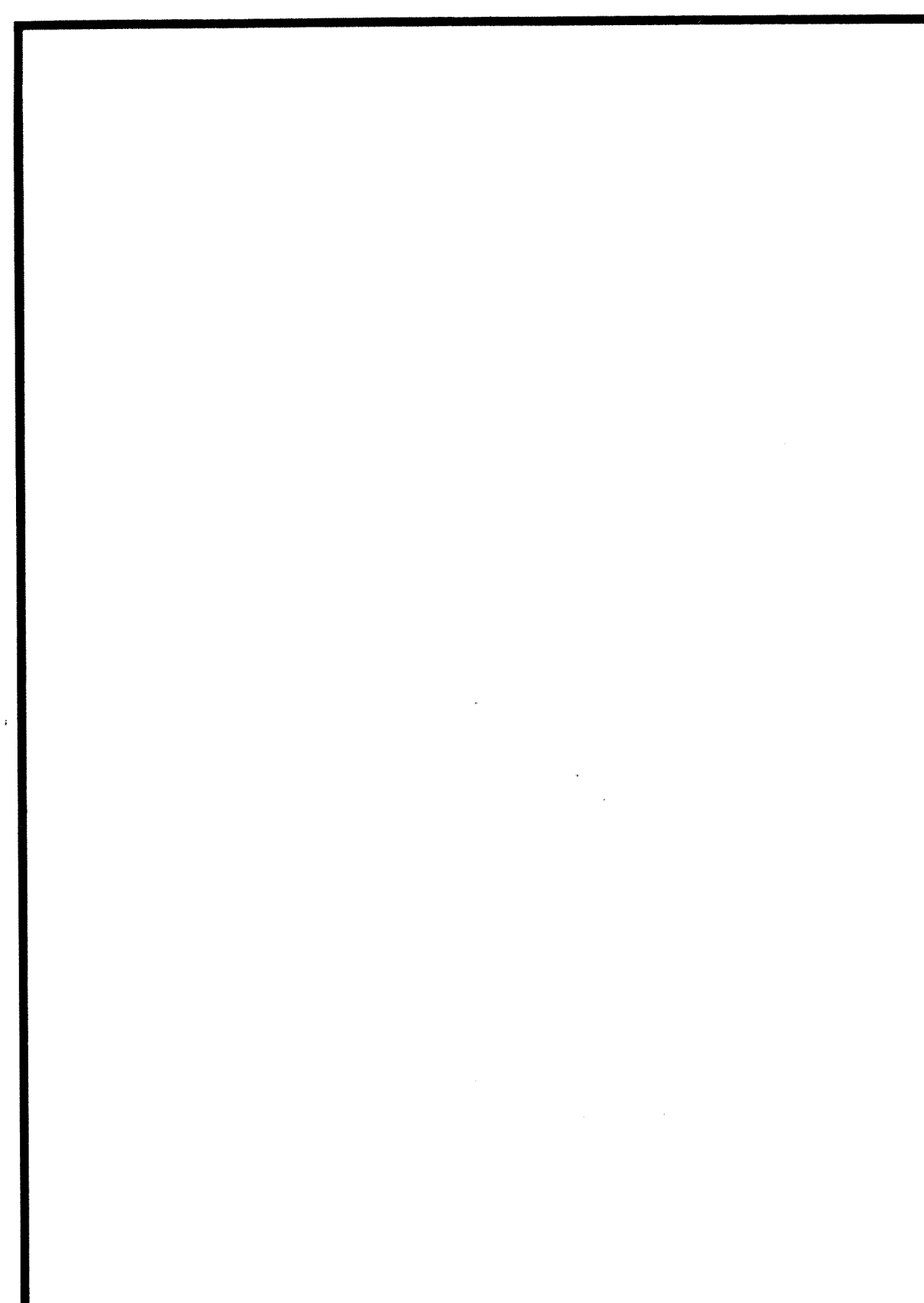
SURMOUNTABLE CONCRETE CURB AND GUTTER



PEDESTRIAN CURB RAMPS



PAVED DRIVEWAY ENTRANCE



BLANK AREA

DATE	DESCRIPTION	DESIGNED	CITY OF ELK RIVER
		CHECKED	ELEMENTARY SCHOOL UTILITIES
		DRAWN	STREET CONSTRUCTION DETAILS
		GRAPHIC SCALE	
		0 HORIZ. NONE	
		0 VERT.	
DATE	AUG 1991	SHEET	13 OF 14 SHEETS
		PROJECT NO.	230-125

MSA CONSULTING ENGINEERS
Maier Stewart & Associates Inc.
 1959 SLOAN PLACE (612) 774-6021 ST. PAUL, MINNESOTA 55117