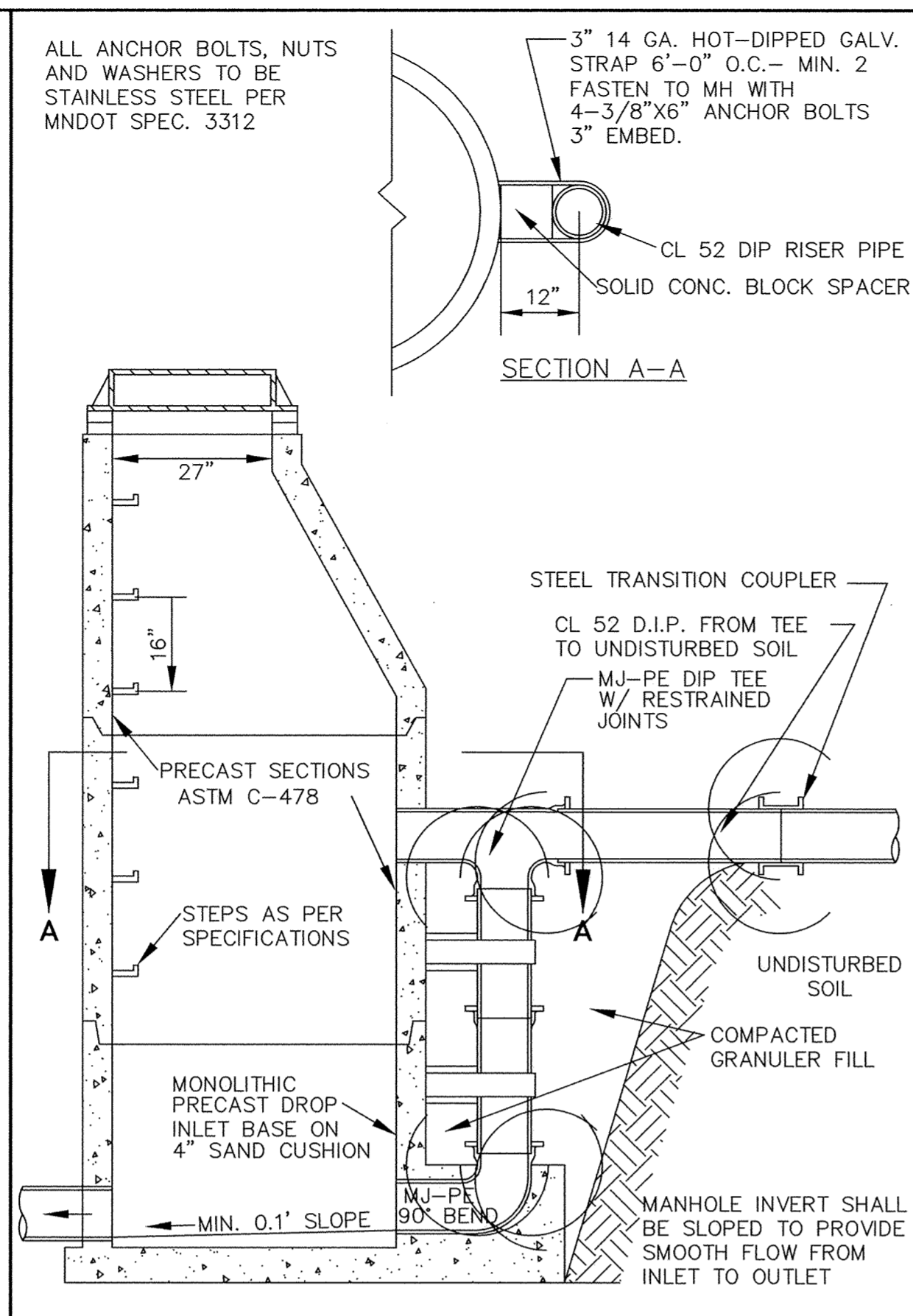
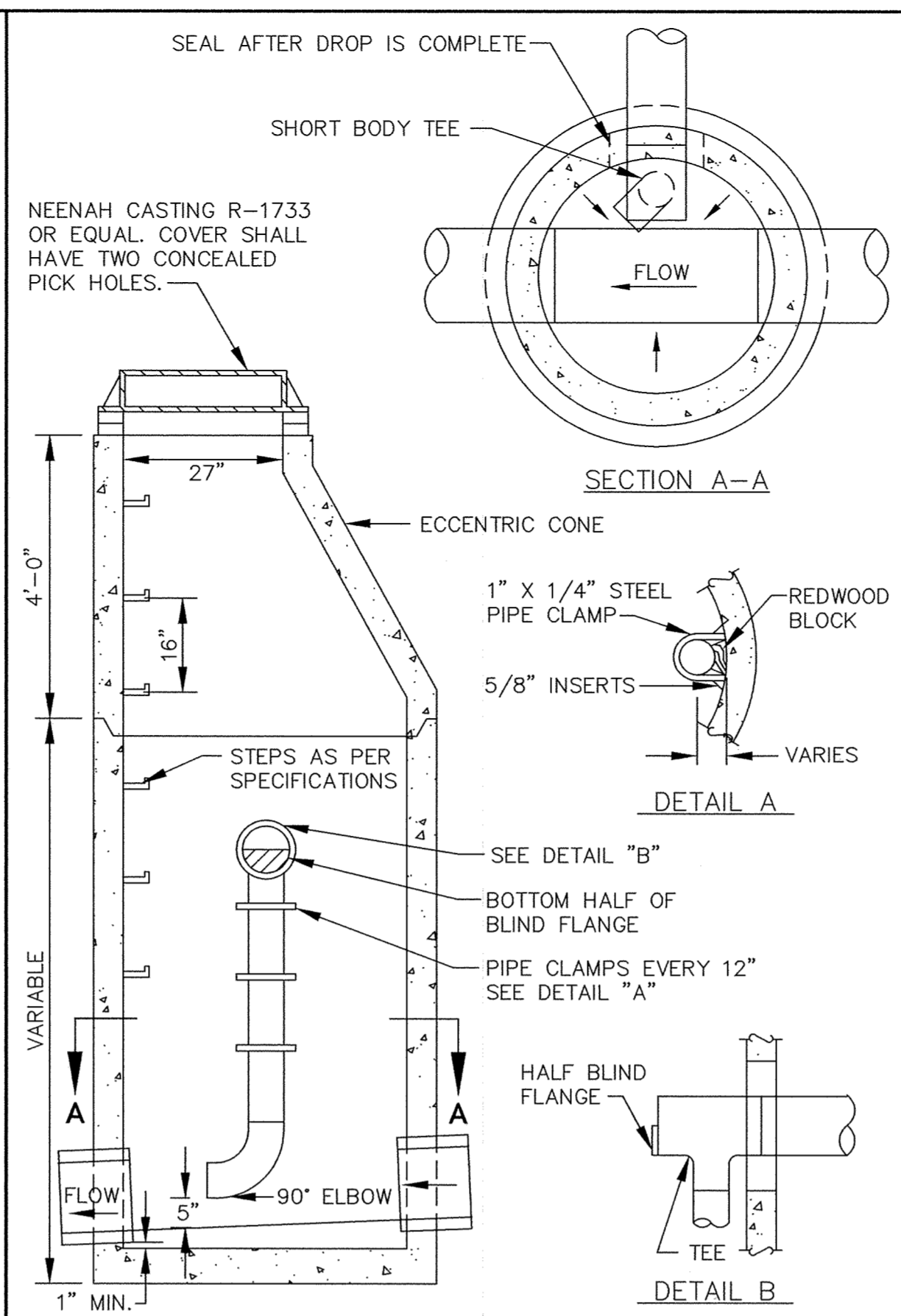


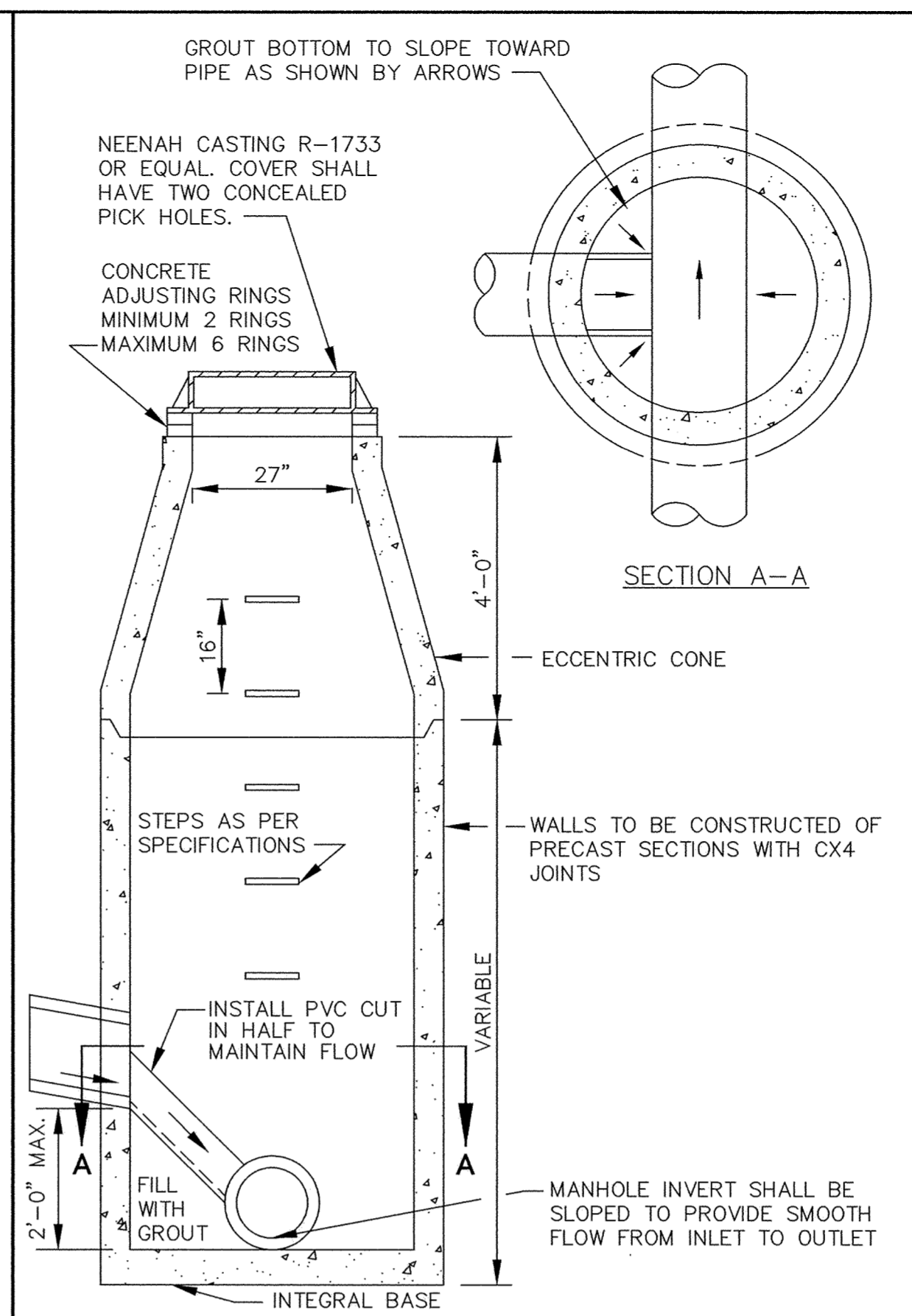
STANDARD AIR RELIEF MANHOLE



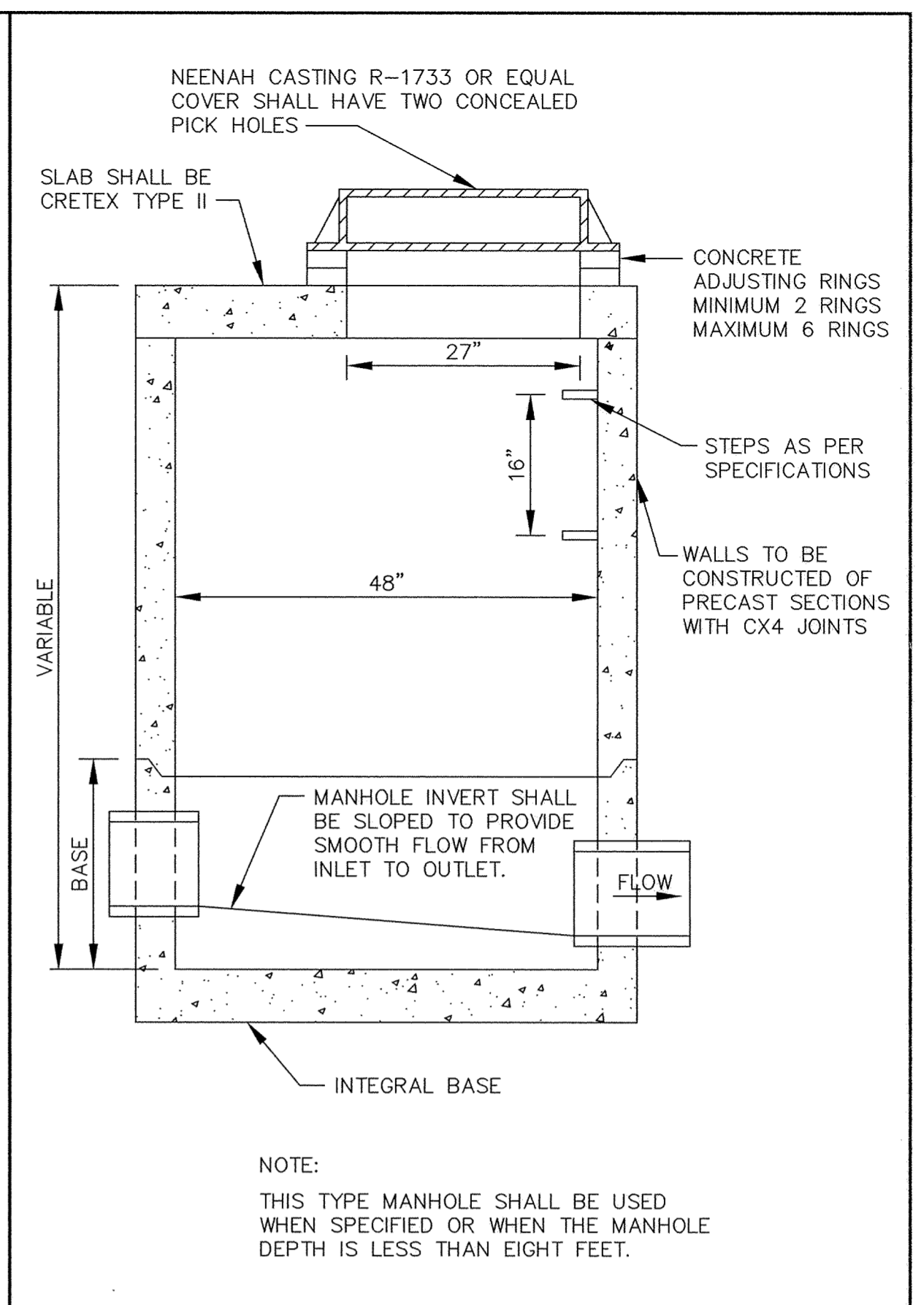
OUTSIDE DROP MANHOLE



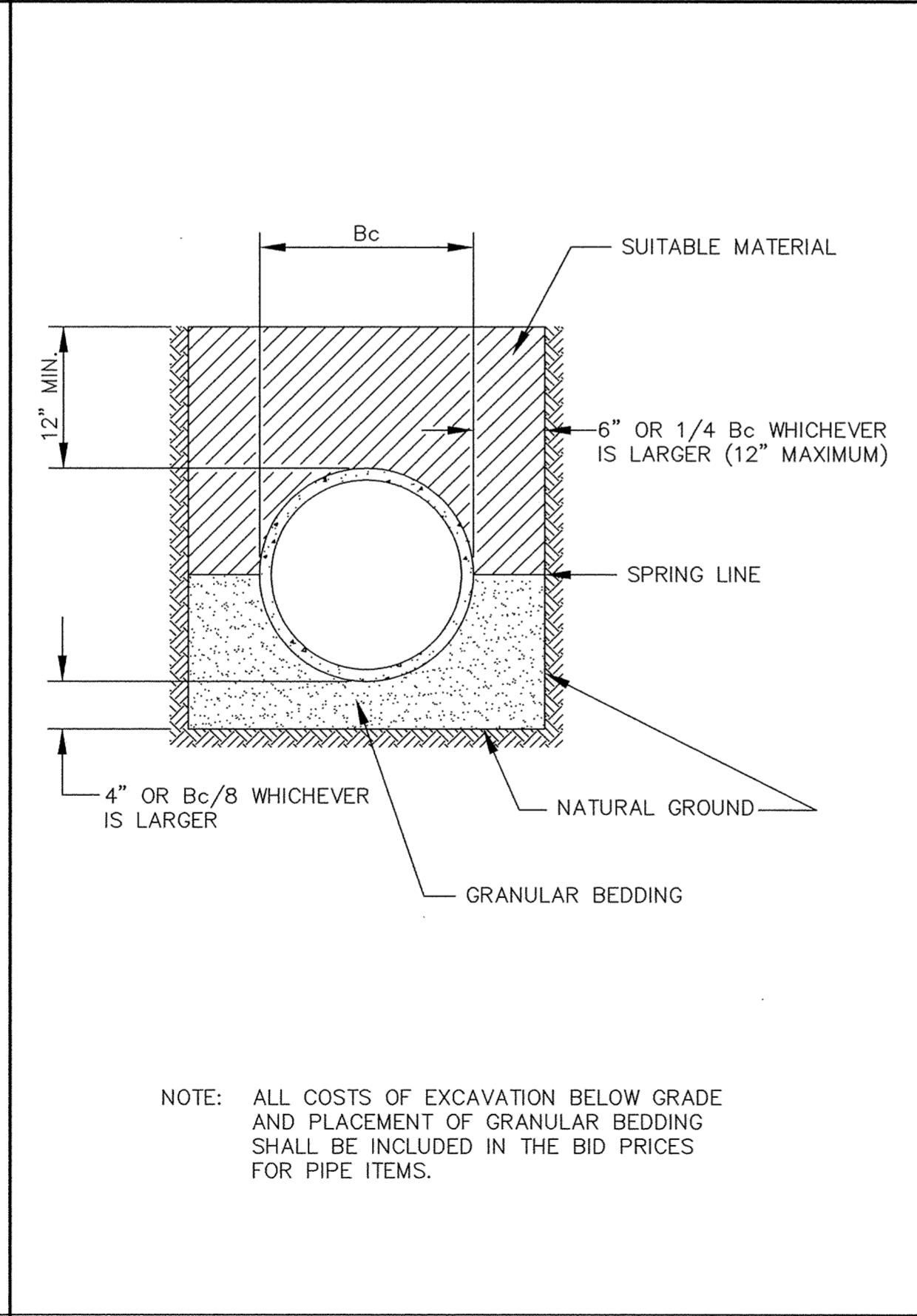
INSIDE DROP MANHOLE



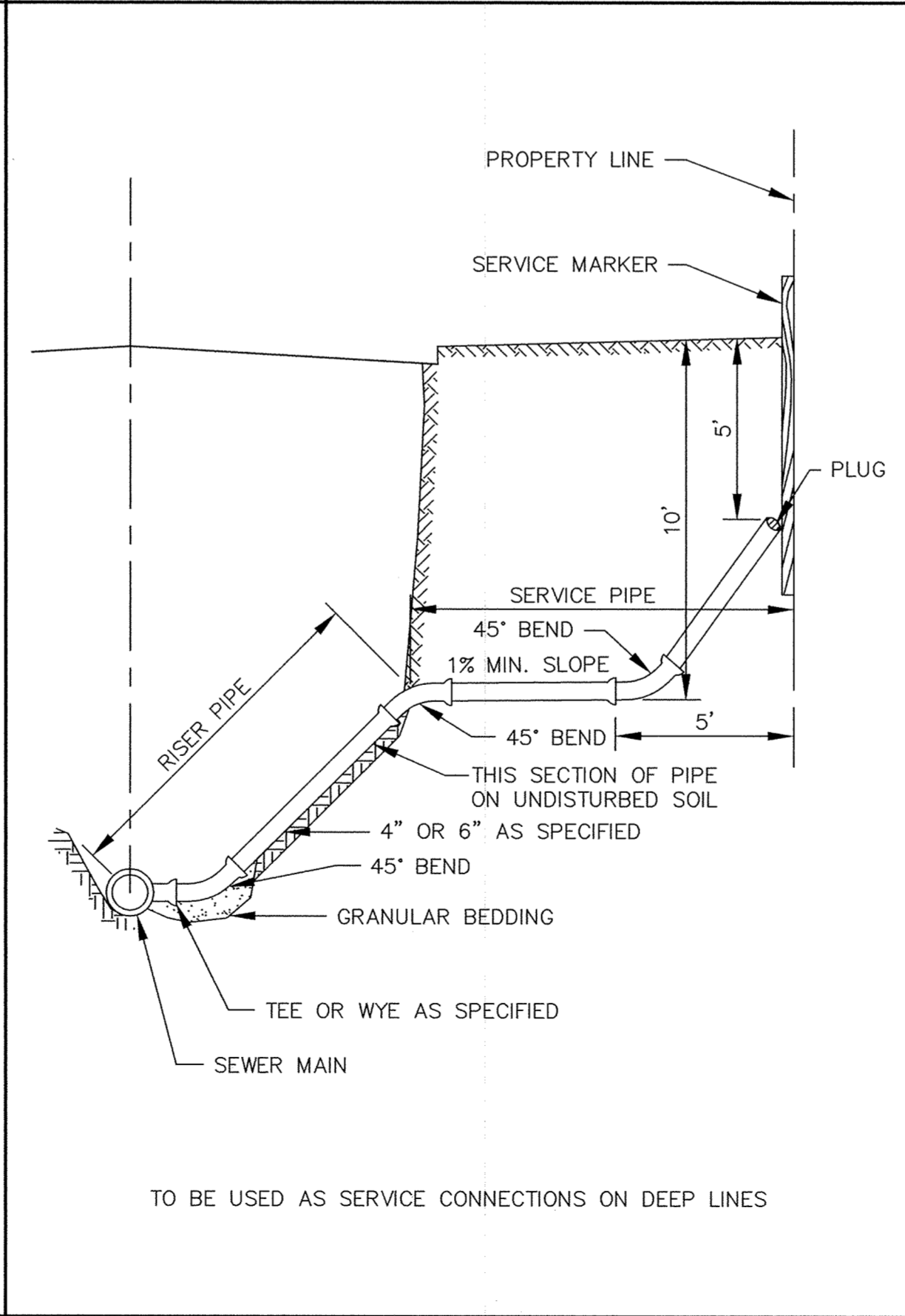
INSIDE DROP MANHOLE (TWO FEET OR LESS)



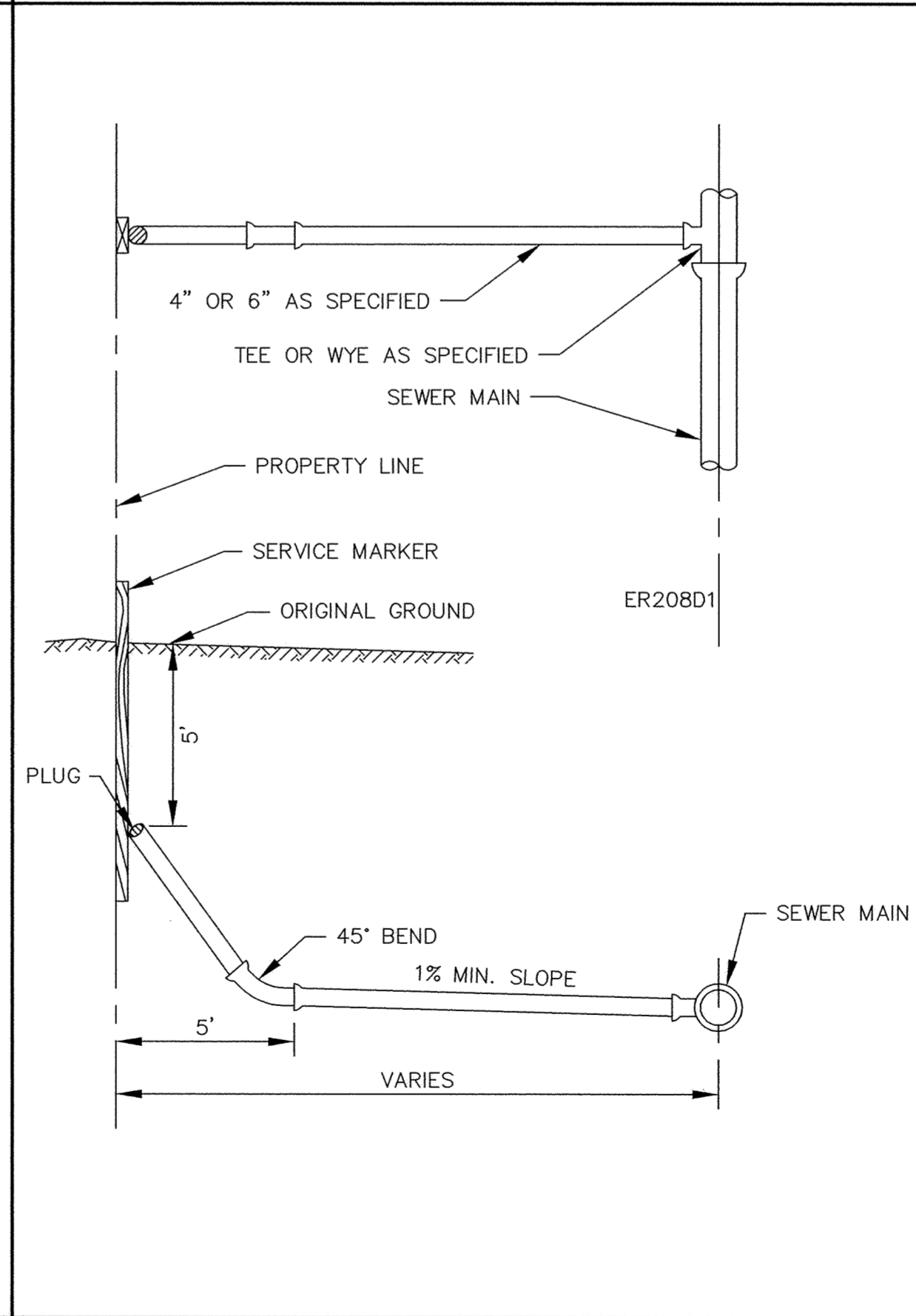
SLAB TOP MANHOLE



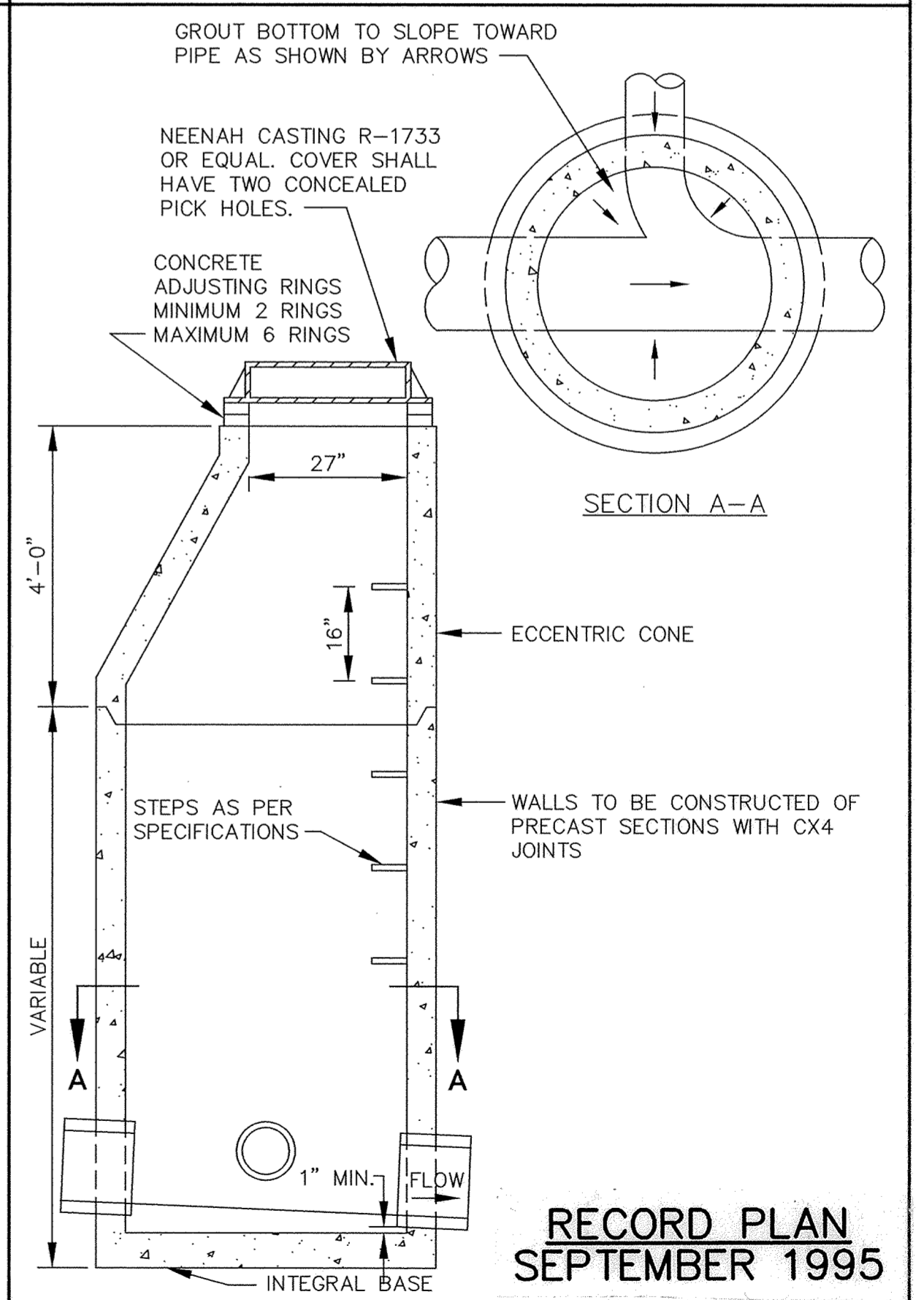
CLASS B PIPE BEDDING



SERVICE RISER SECTION



TYPICAL HOUSE SERVICE



STANDARD MANHOLE

ER208D1

I HEREBY CERTIFY THAT THIS PLAN, SPECIFICATION, OR REPORT WAS PREPARED BY ME OR UNDER MY DIRECT SUPERVISION AND THAT I AM A DULY REGISTERED PROFESSIONAL ENGINEER UNDER THE LAWS OF THE STATE OF MINNESOTA.
Mark J. Graham
DATE 2/10/95 REG. NO. 19130



1326 ENERGY PARK DRIVE
ST. PAUL, MINNESOTA 55108
(612) 644-4389
9800 SHELARD PARKWAY
MINNEAPOLIS, MINNESOTA 55441
(612) 546-0432

DATE	DESCRIPTION	DESIGNED	CHECKED	DRAWN

GRAPHIC SCALE
0 HORIZ.
0 VERT.

CITY OF ELK RIVER
SANITARY SEWER DETAILS
DATE FEB. 1994 SHEET 10 OF 13 SHEETS PROJECT NO. 230-208