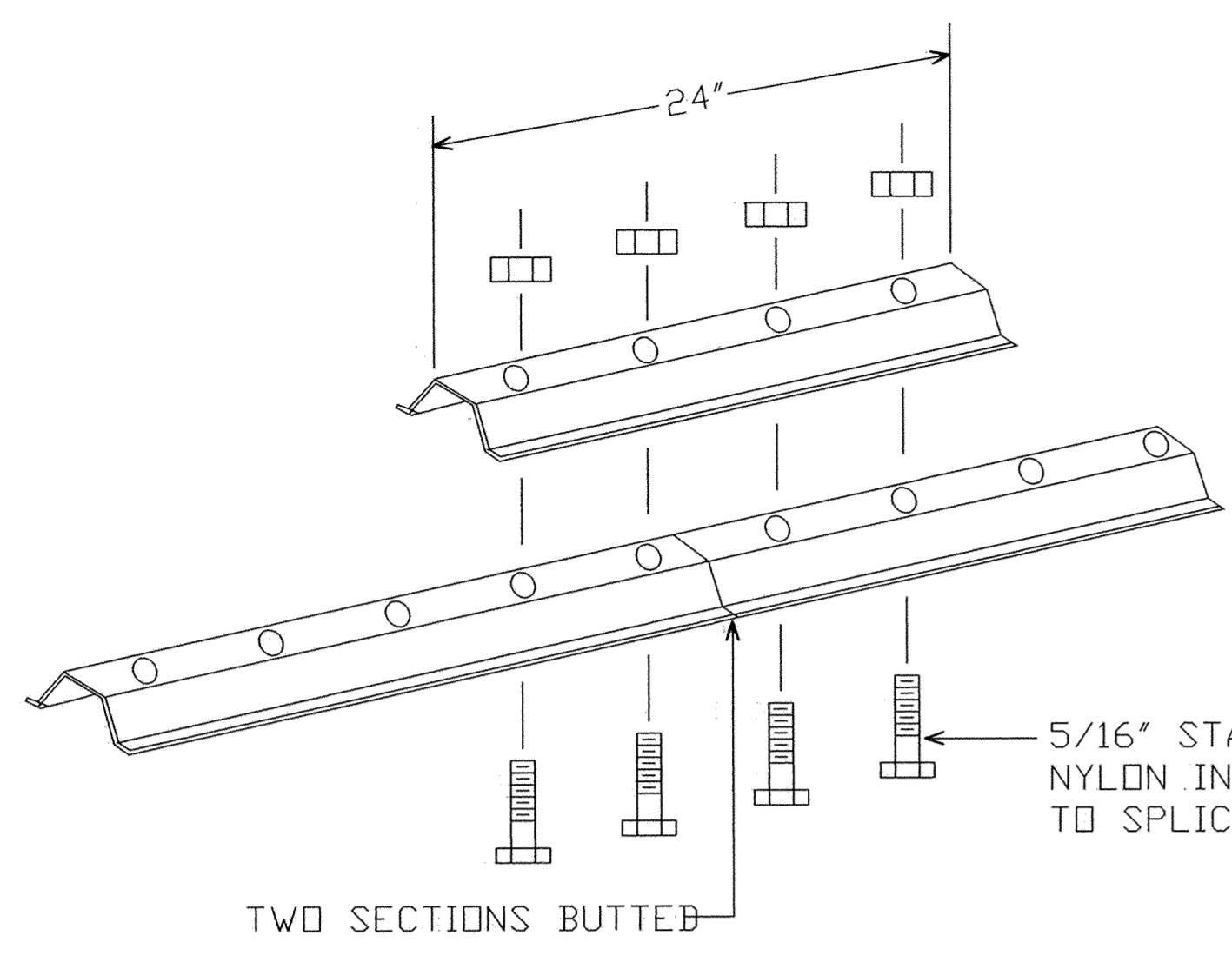
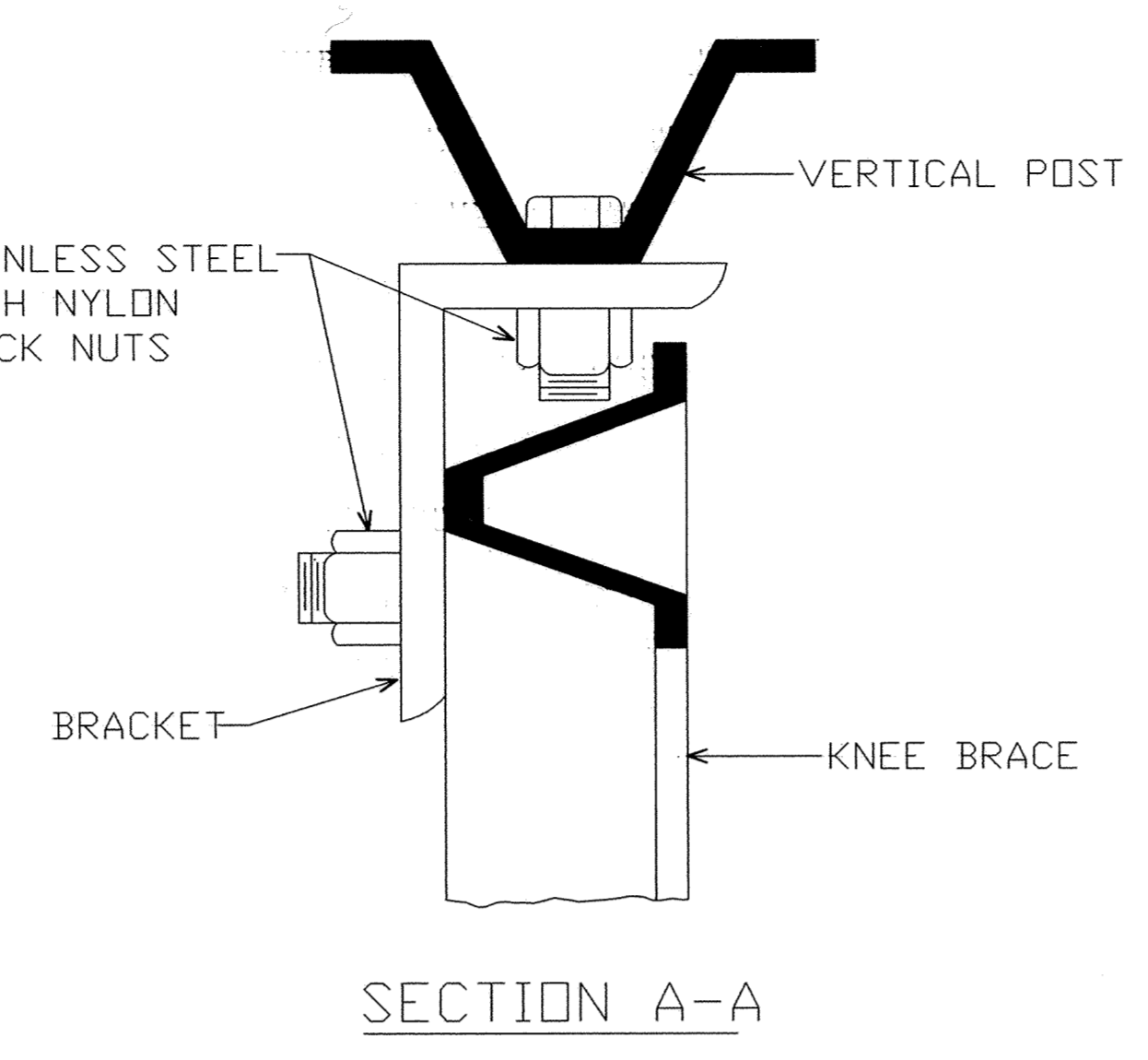


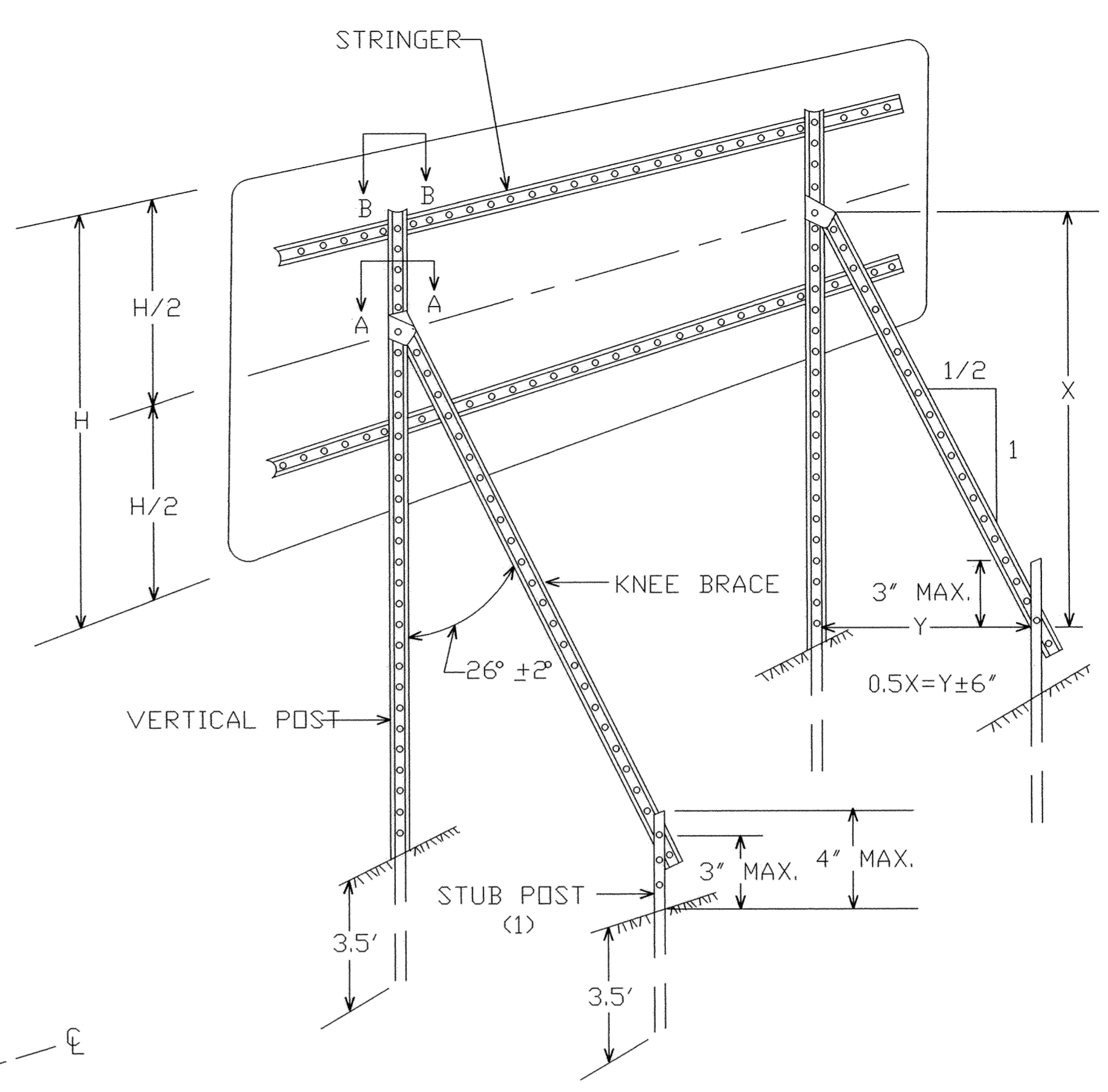
SARGO PRODUCTS • NEW HAVEN, MINNESOTA  
 PRODUCT BY PART NUMBER 8532  
 PROVISIONS MADE BY PRINT ON THIS LINE



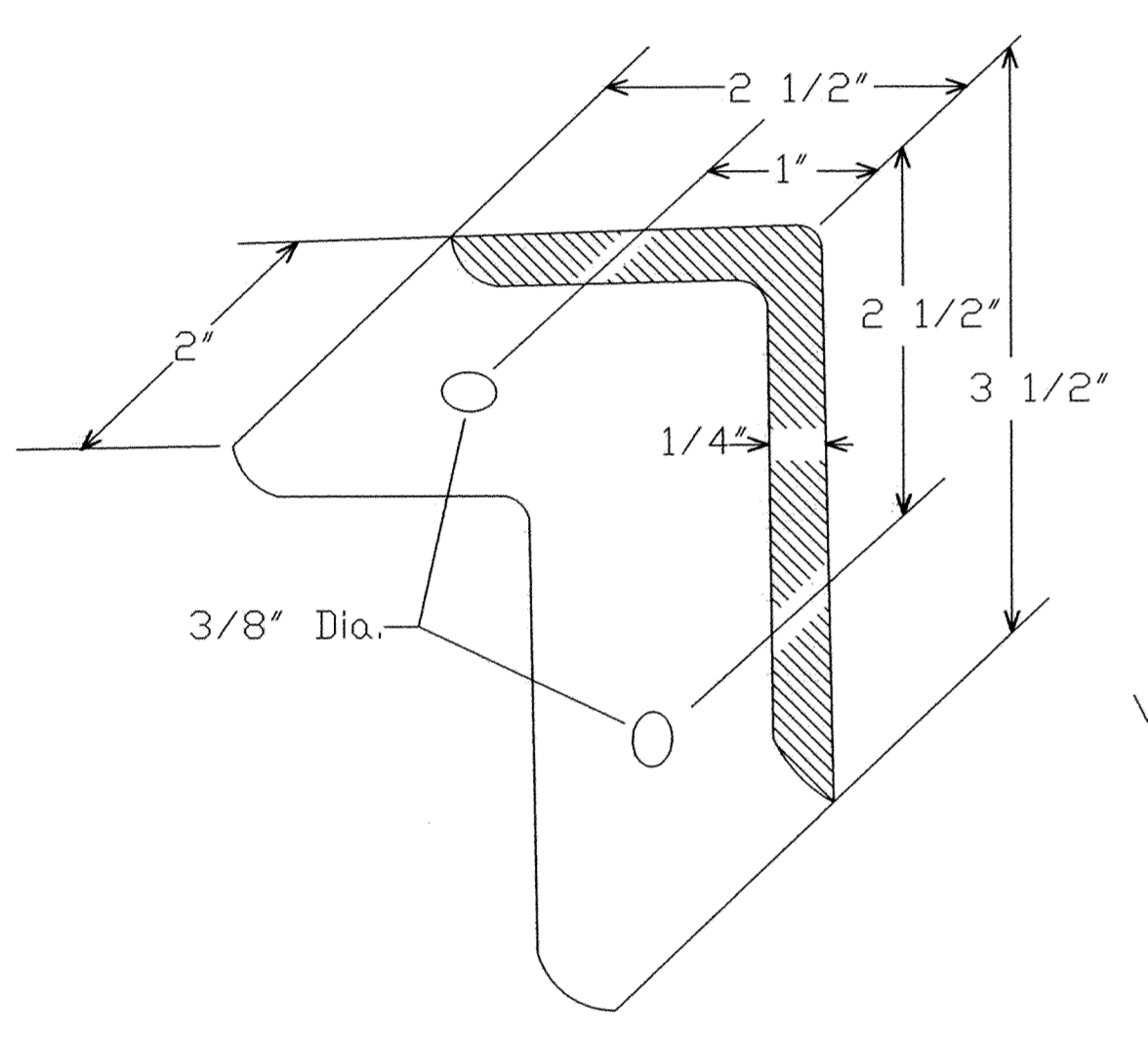
LATERAL BRACE OR STRINGER  
SPLICE DETAIL (EXPLODED VIEW)



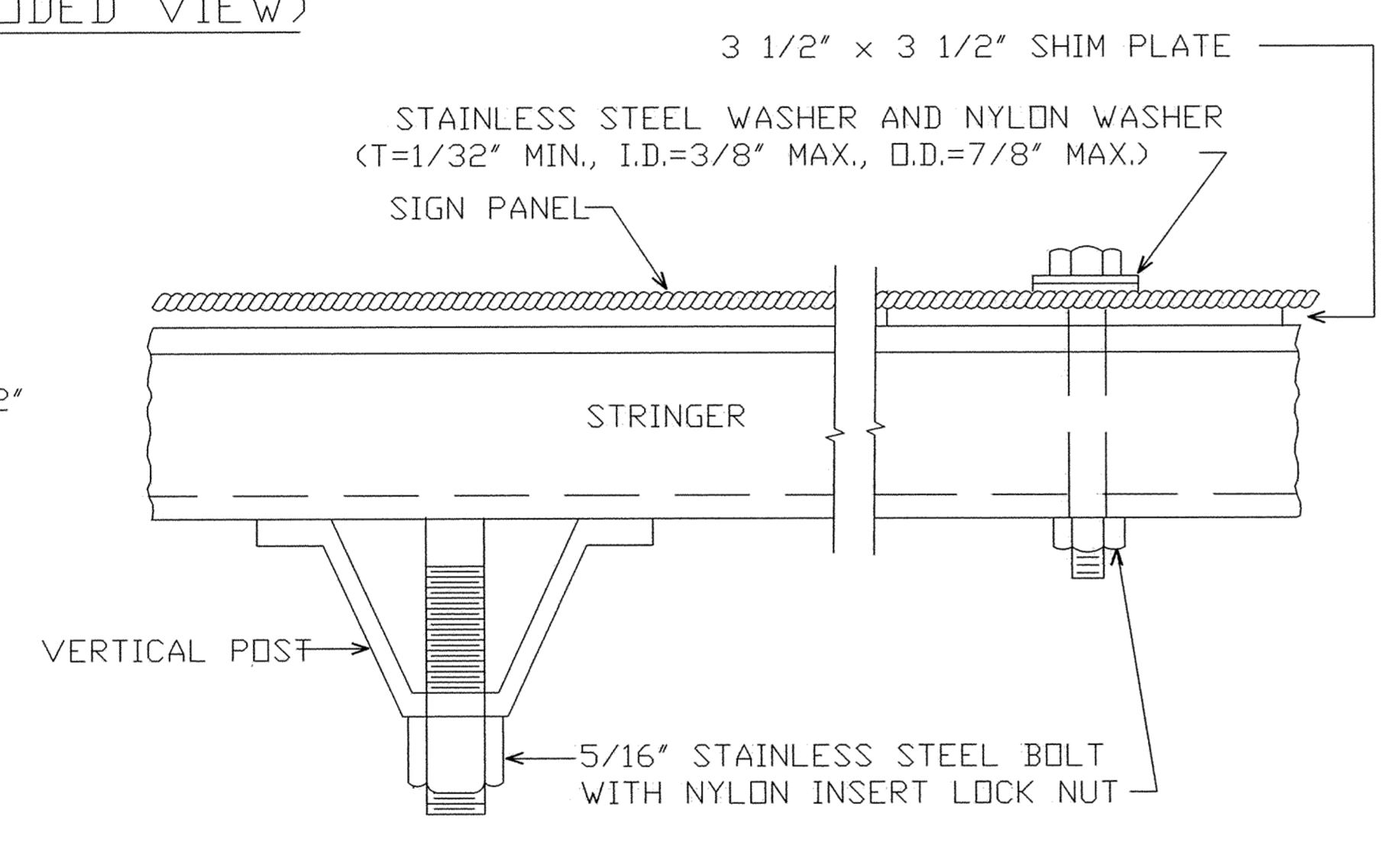
SECTION A-A



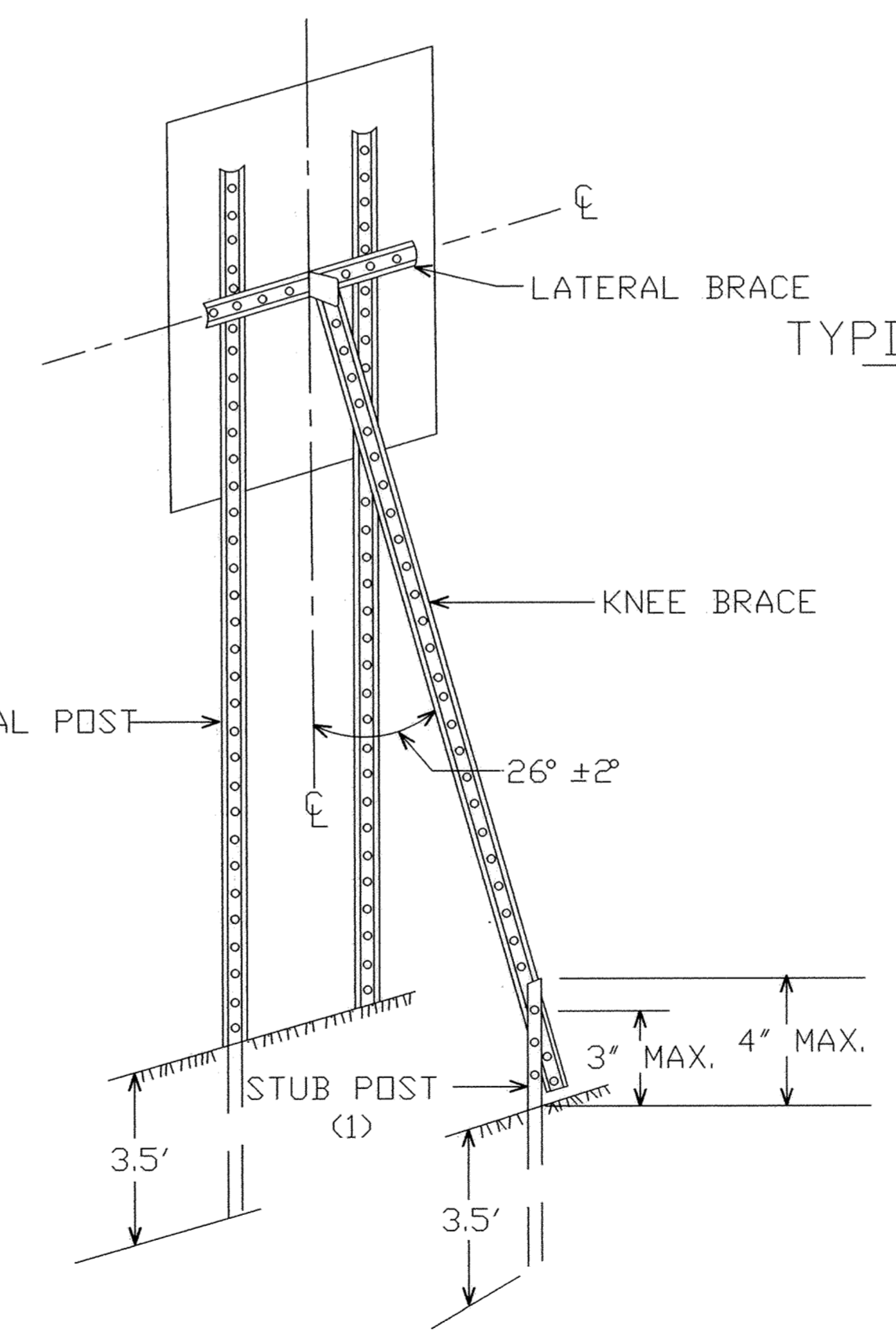
TYPICAL "A-FRAME" INSTALLATION  
TYPE "D" SIGNS



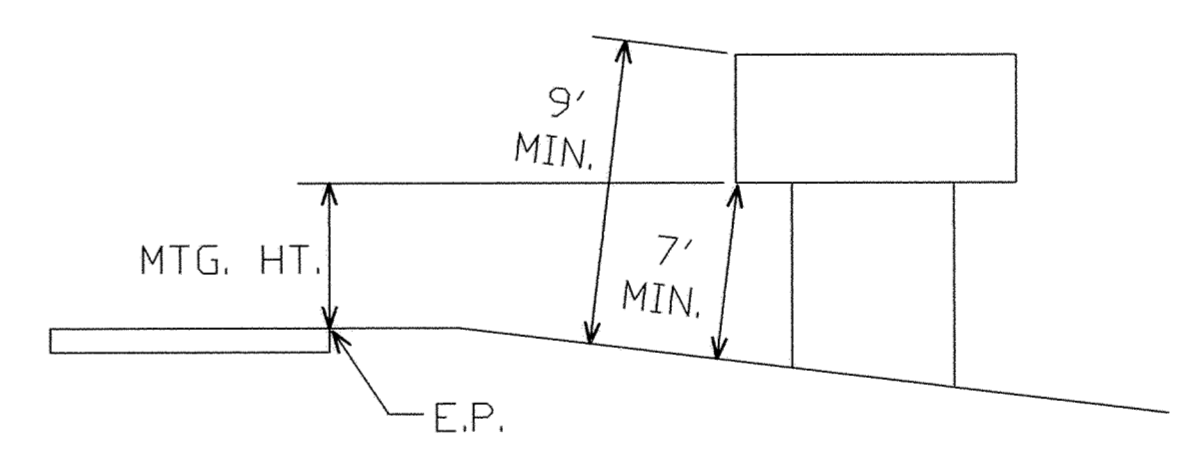
A-FRAME BRACKET  
(STEEL MN/DDT 3306 GALVANIZED PER MN/DDT 3394)



SECTION B-B



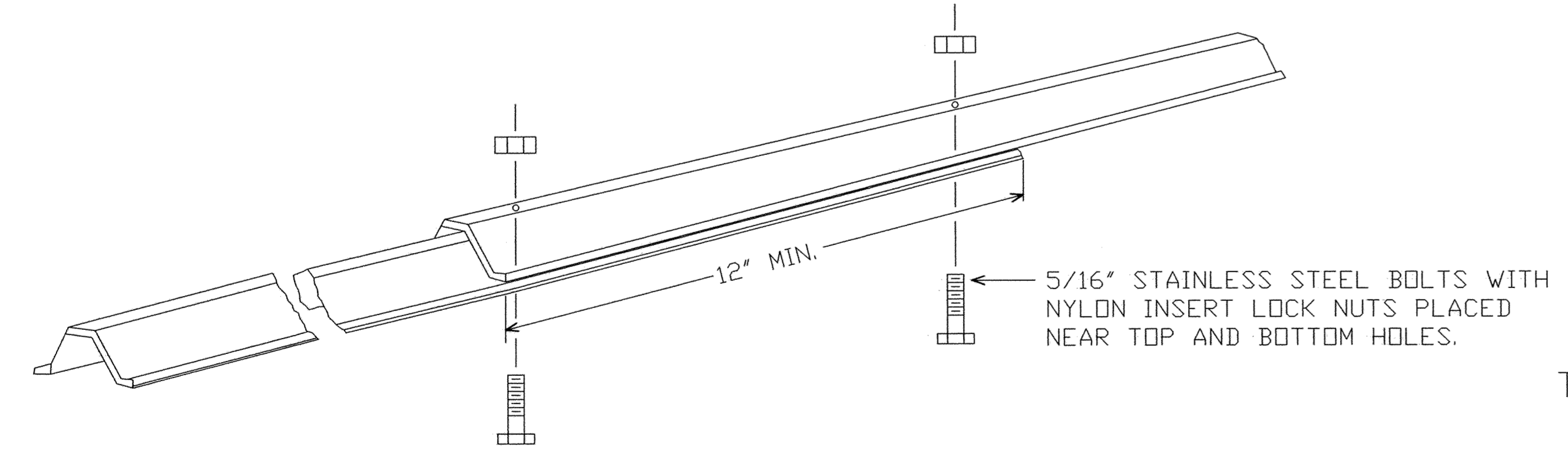
TYPICAL "A-FRAME" INSTALLATION  
TYPE "C" SIGNS



TYPICAL MOUNTING

(1) OFFSET STUB POST 1' TOWARD ROADWAY  
RELATIVE TO VERTICAL POST.

TYPE C & D SIGN  
STRUCTURAL DETAILS



KNEE BRACE SPLICE

DESIGNED BY: \_\_\_\_\_ DRAWN BY: RKM  
 APPROVED BY: \_\_\_\_\_ JOB NUMBER 816600J  
 CAD DATE: January 18, 2005 2:54:57 p.m.  
 CAD FILE: 816600\ASBUILT\MISC\SIGN\_DETAILS.DWG (JCUNNIN)

I HEREBY CERTIFY THAT THIS PLAN, SPECIFICATION, OR REPORT  
 WAS PREPARED BY ME OR UNDER MY DIRECT SUPERVISION AND  
 THAT I AM A DULY LICENSED PROFESSIONAL ENGINEER UNDER  
 THE LAWS OF THE STATE OF MINNESOTA.

SIGNATURE \_\_\_\_\_ DATE \_\_\_\_\_  
 PRINTED NAME JOHN ANDERSON LIC. NO. 25889

NO.	DATE	BY	REVISION DESCRIPTION

1326 ENERGY PARK DRIVE  
 ST. PAUL, MINNESOTA 55108  
 (651) 644-4389

 Howard R. Green Company

MAIN STREET/U.S. HIGHWAY NO. 10  
 CITY OF ELK RIVER

S.P. 204-113-12

SIGNING DETAILS

SHEET NO.  
**20**

**RECORD PLAN  
 JANUARY 2005**