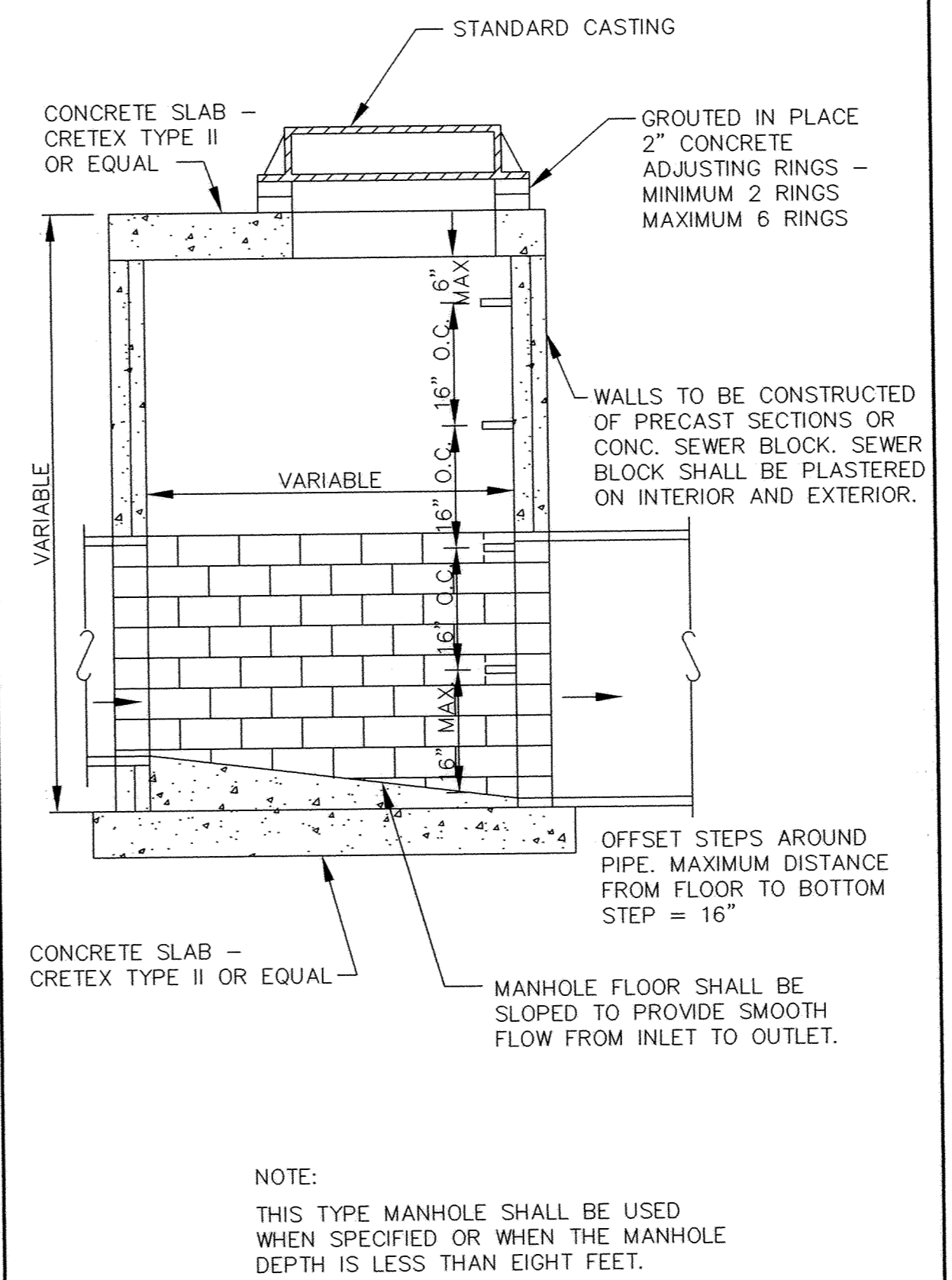
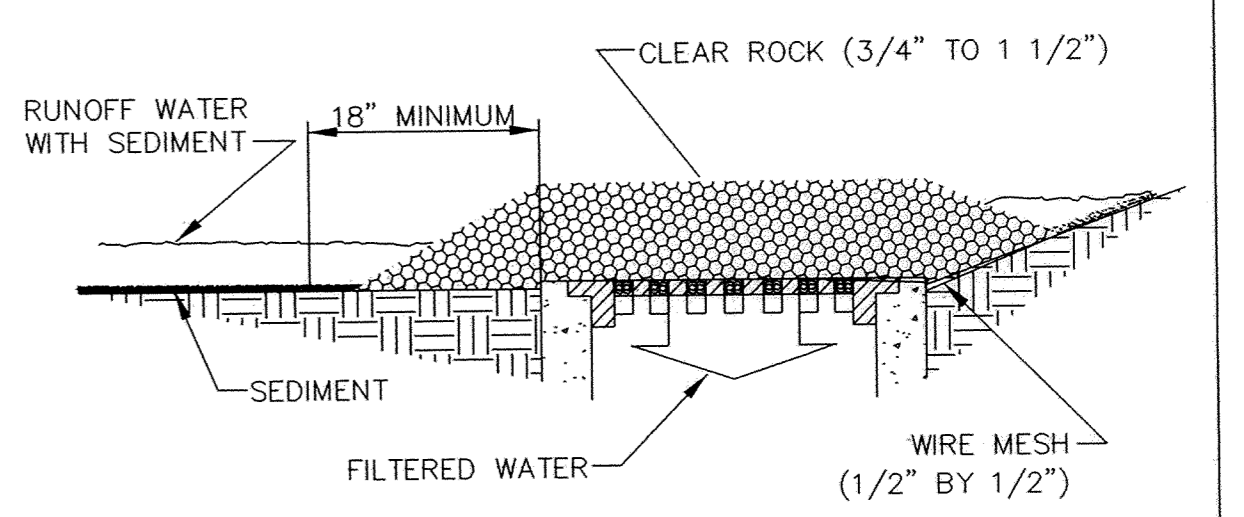


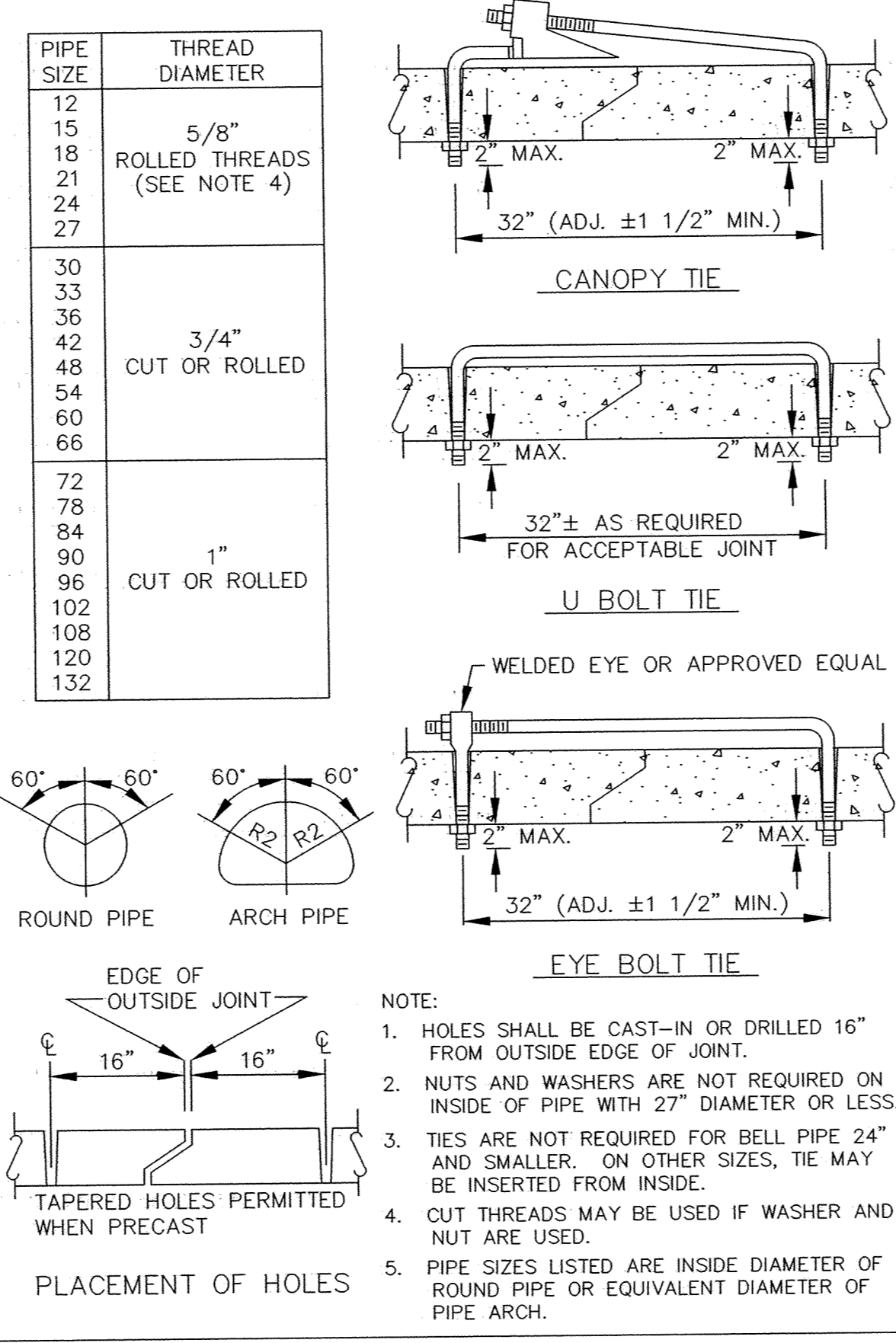
STANDARD MANHOLE CASTING



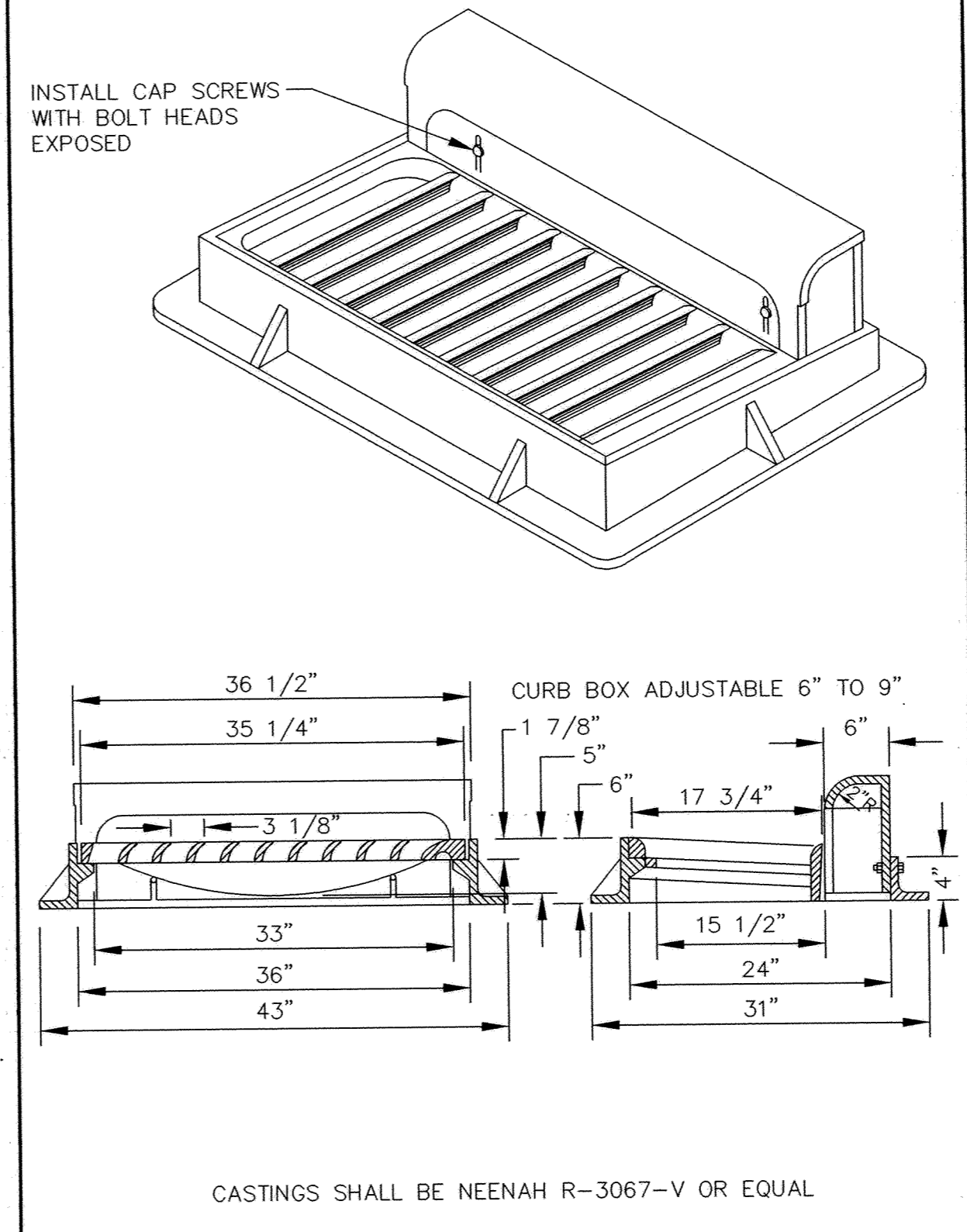
SLAB TOP MANHOLE



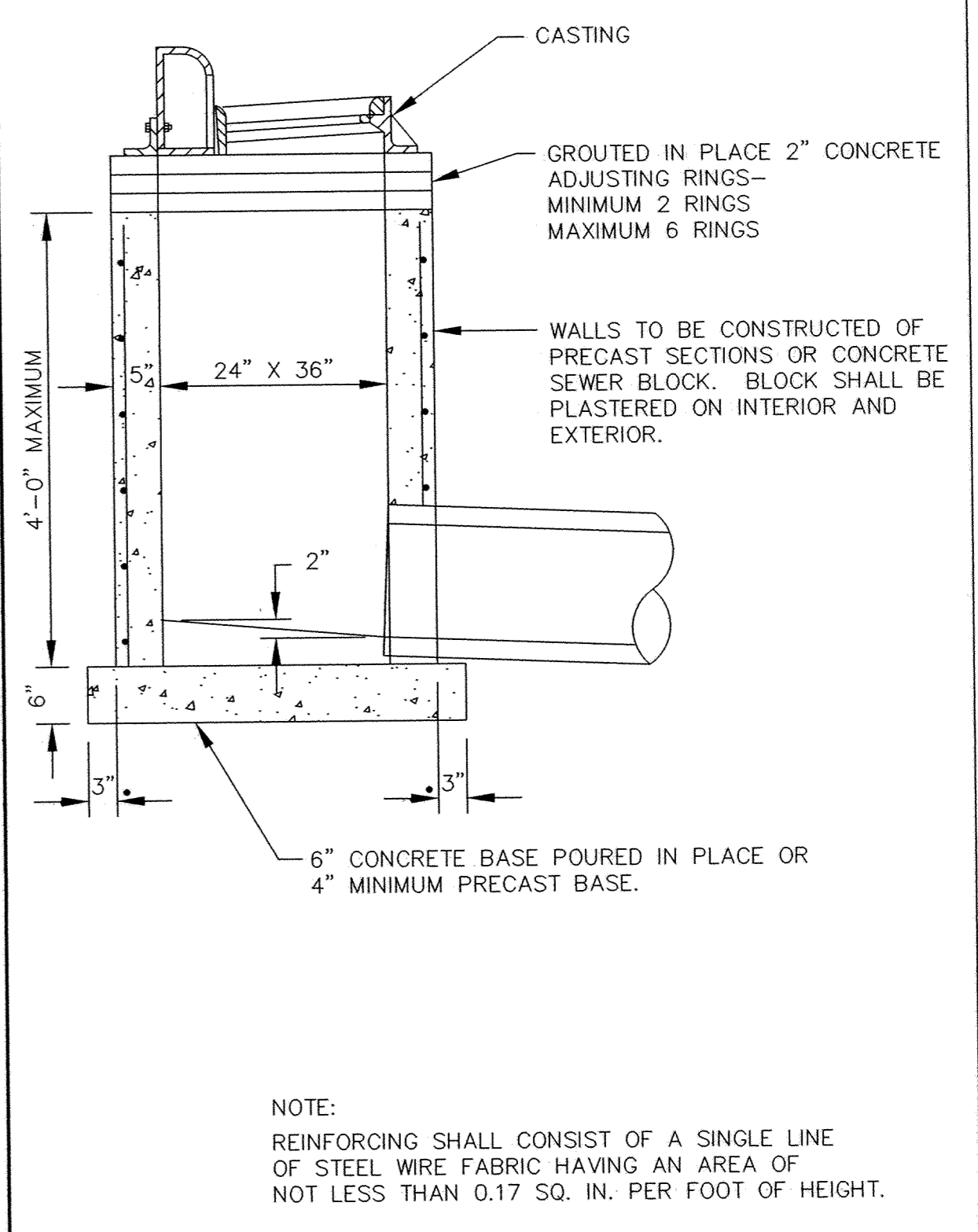
CATCH BASIN SEDIMENTATION BARRIER



CONCRETE PIPE JOINT TIES



STANDARD INLET CASTING



SHALLOW CATCH BASIN

DESIGNED BY: KJT DRAWN BY: RKM
 APPROVED: TJM JOB NUMBER 806550J
 CAD DATE: January 18, 2005 2:48:03 p.m.
 CAD FILE: 816600\ASBUILT\MISC\816600-D4.DWG (JCUNNIN)

I HEREBY CERTIFY THAT THIS PLAN, SPECIFICATION, OR REPORT WAS PREPARED BY ME OR UNDER MY DIRECT SUPERVISION AND THAT I AM A DULY LICENSED PROFESSIONAL ENGINEER UNDER THE LAWS OF THE STATE OF MINNESOTA.

DATE: _____
 JOHN ANDERSON LIC. 25889

NO.	DATE	BY	REVISION DESCRIPTION

1326 ENERGY PARK DRIVE
 ST. PAUL, MINNESOTA 55108
 (651) 644-4389

Howard R. Green Company
 CONSULTING ENGINEERS

MAIN STREET/U.S. HIGHWAY NO. 10
 CITY OF ELK RIVER

SP. 204-113-12

STORM SEWER SEWER DETAILS

SHEET NO.
 18