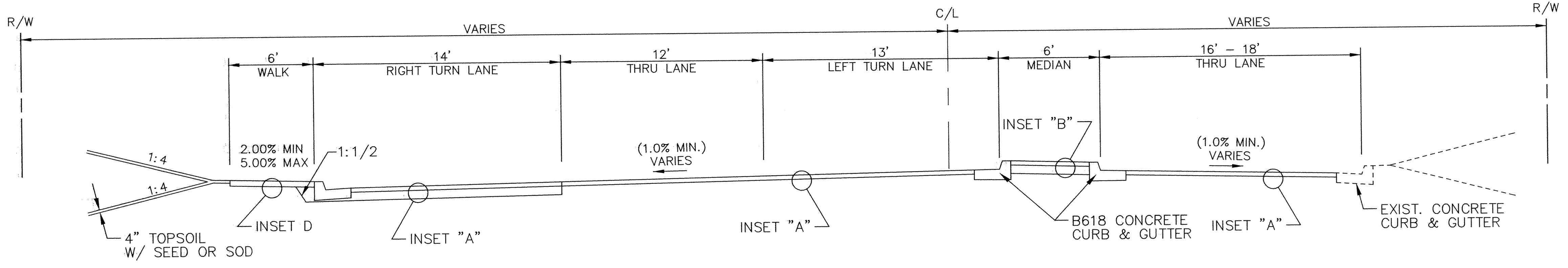
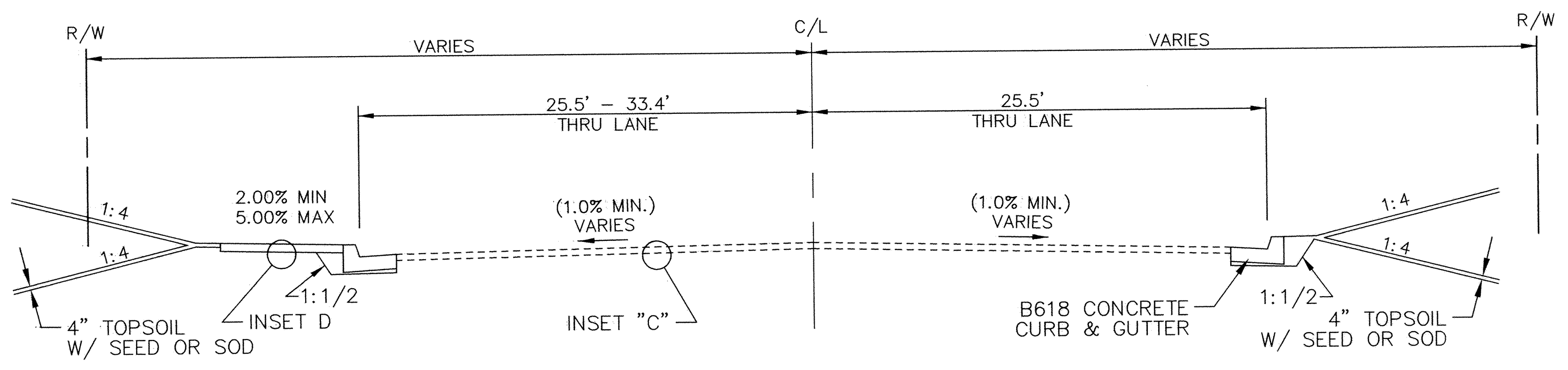


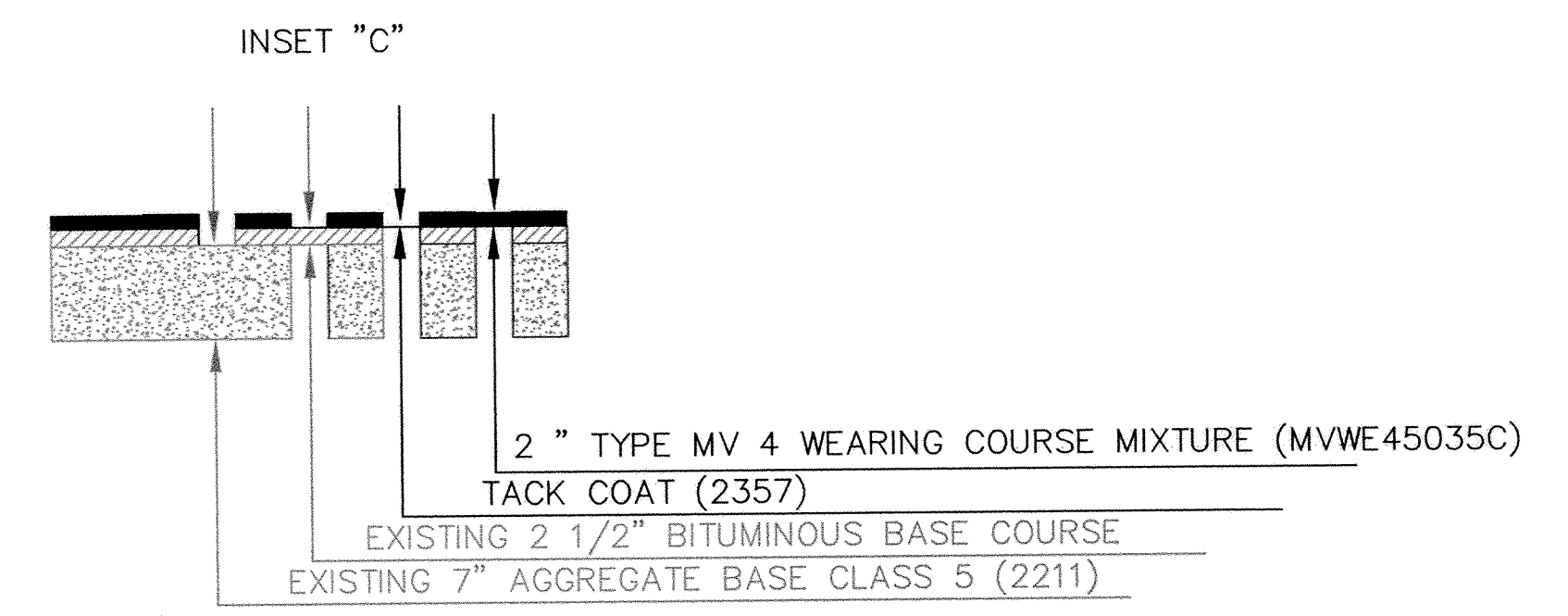
TYPICAL URBAN SECTION (MAIN STREET)  
STA. 12+70 TO 13+85



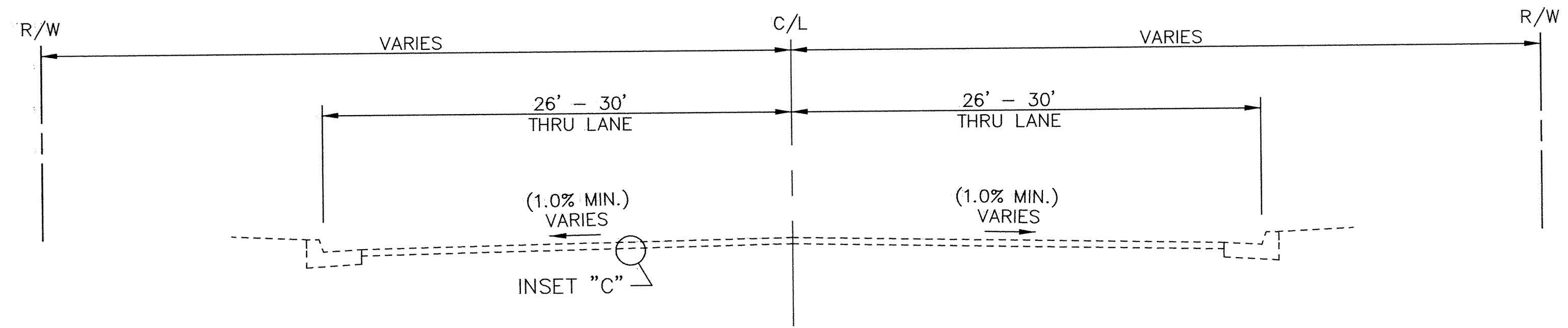
TYPICAL URBAN SECTION (MAIN STREET)  
STA. 13+85 TO 14+60



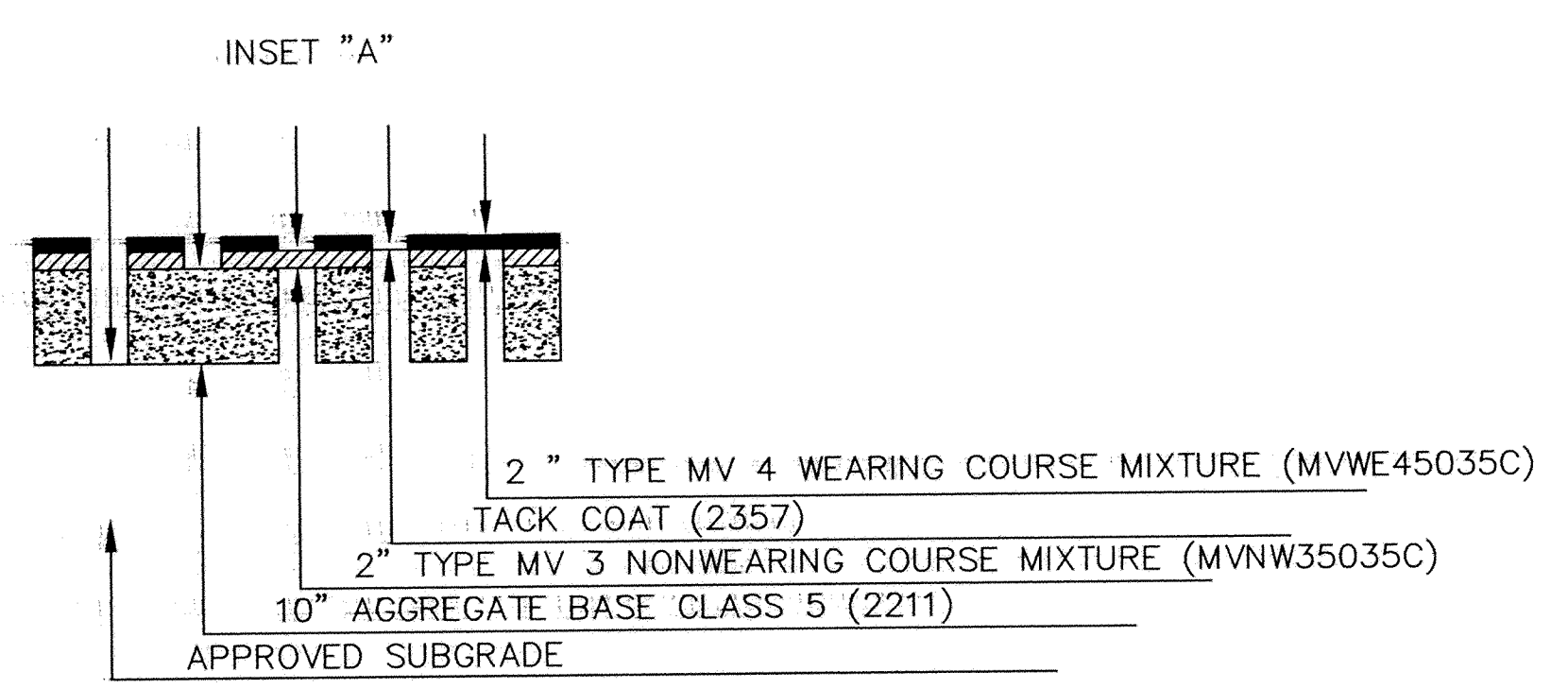
PROPOSED  
TYPICAL BITUMINOUS  
MILL SECTION



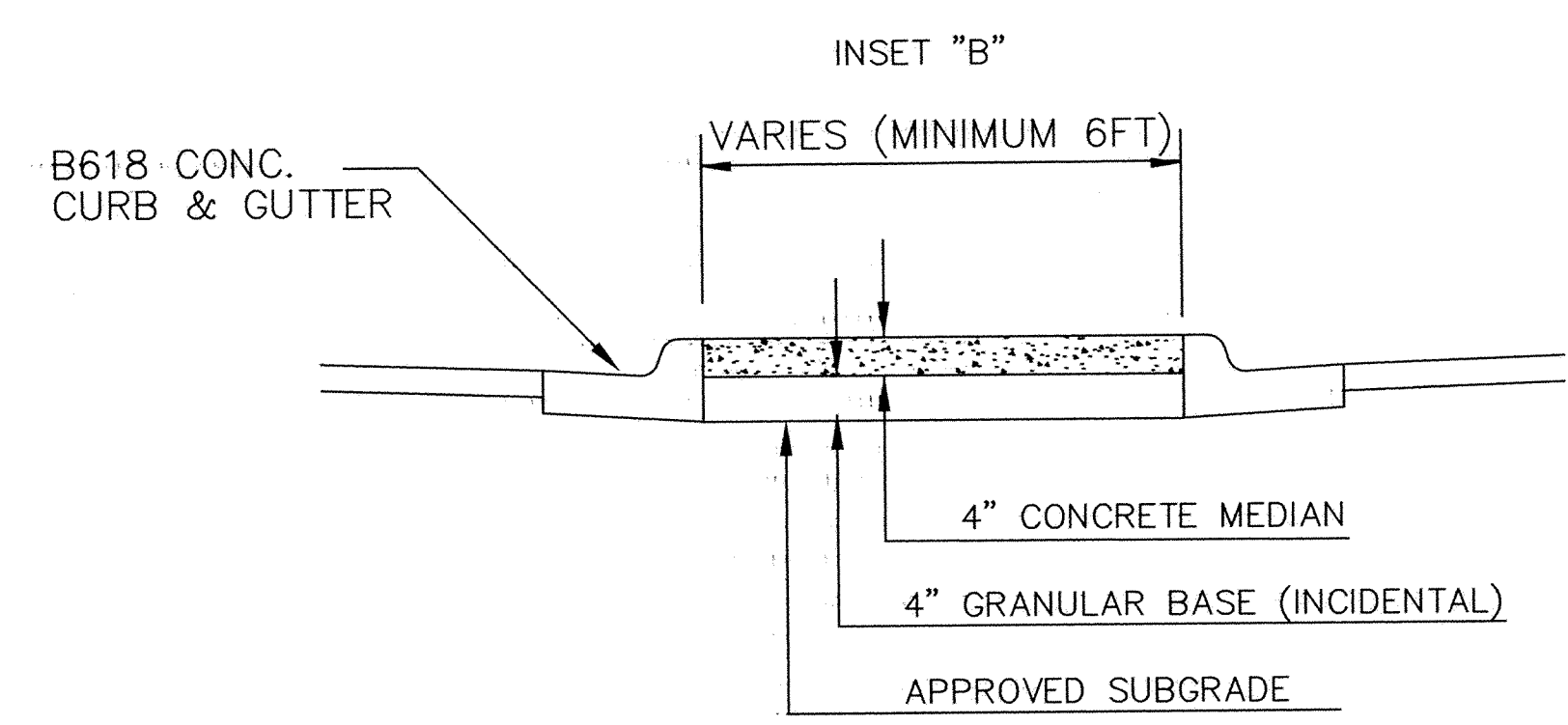
EXISTING SECTION (MAIN STREET)



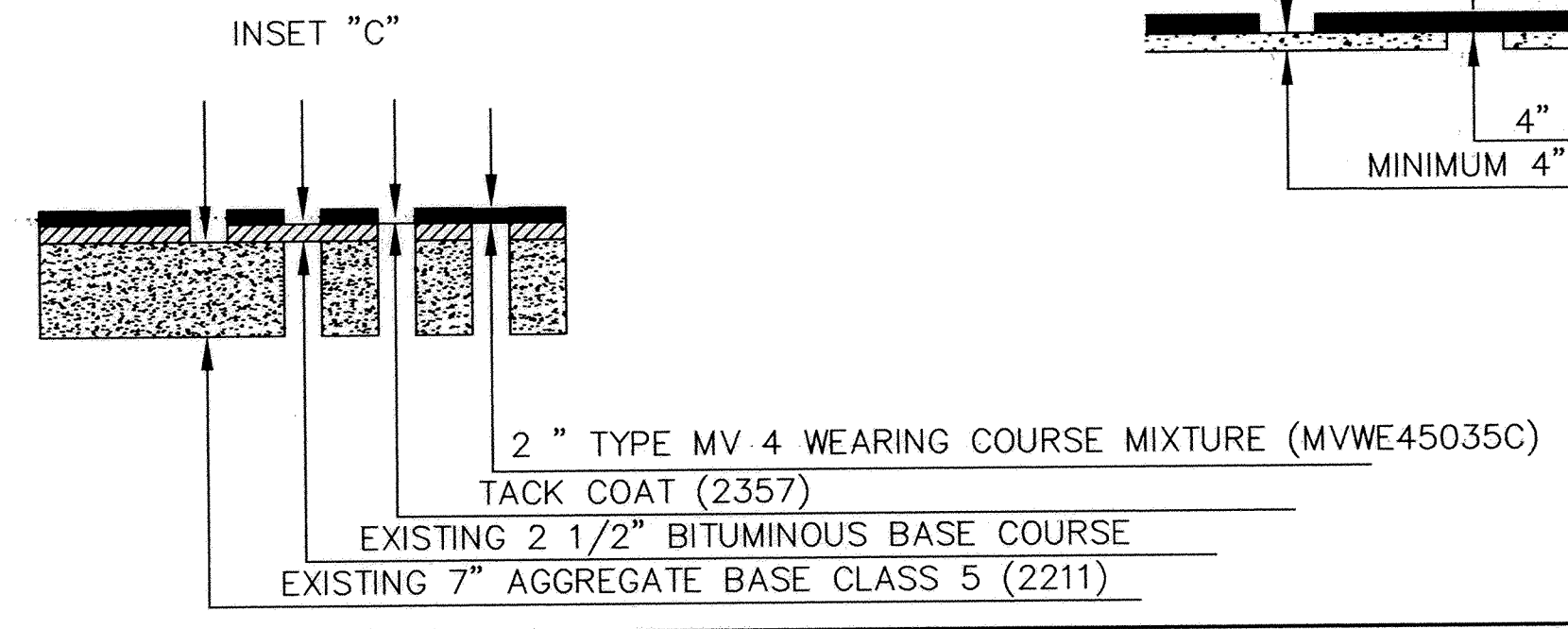
TYPICAL SECTION



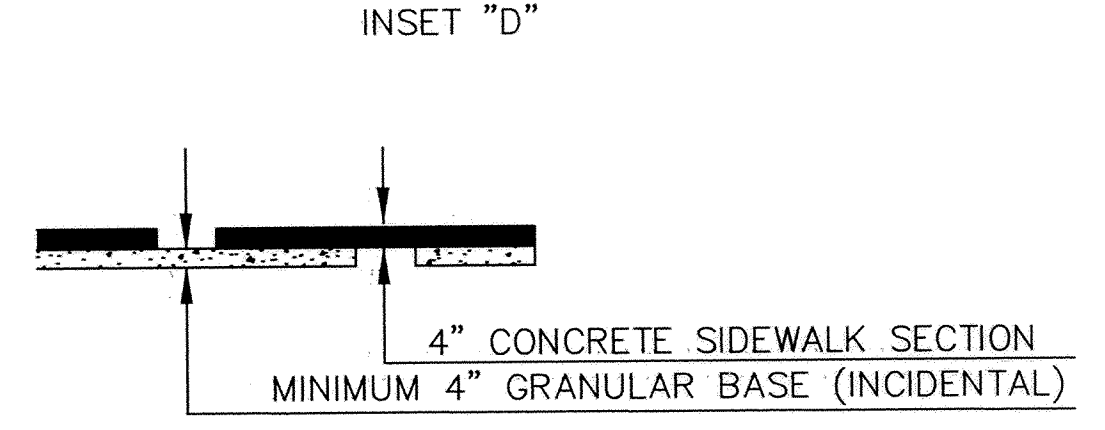
TYPICAL CONCRETE  
MEDIAN SECTION



EXISTING  
TYPICAL BITUMINOUS  
MILL SECTION



TYPICAL CONCRETE  
SIDEWALK SECTION



**RECORD PLAN  
JANUARY 2005**

DESIGNED BY: KT/EY    DRAWN BY: EY  
 APPROVED BY: \_\_\_\_\_    JOB NUMBER 816600J  
 CAD DATE: January 11, 2005 9:42:25 a.m.  
 CAD FILE: 816600J\ASBUILT\MISC\816600-TYP.DWG (JUNIN)

I HEREBY CERTIFY THAT THIS PLAN, SPECIFICATION, OR REPORT WAS PREPARED BY ME OR UNDER MY DIRECT SUPERVISION AND THAT I AM A DULY LICENSED PROFESSIONAL ENGINEER UNDER THE LAWS OF THE STATE OF MINNESOTA.  
 SIGNATURE \_\_\_\_\_ DATE \_\_\_\_\_  
 PRINTED NAME JOHN ANDERSON    LIC. NO. 25889

NO.	DATE	BY	REVISION DESCRIPTION

1326 ENERGY PARK DRIVE  
 ST. PAUL, MINNESOTA 55108  
 (651) 644-4389  
 Howard R. Green Company

MAIN STREET/U.S. HIGHWAY NO. 10  
 CITY OF ELK RIVER

S.P. 204-113-12  
 TYPICAL SECTIONS

SHEET NO.  
**4**