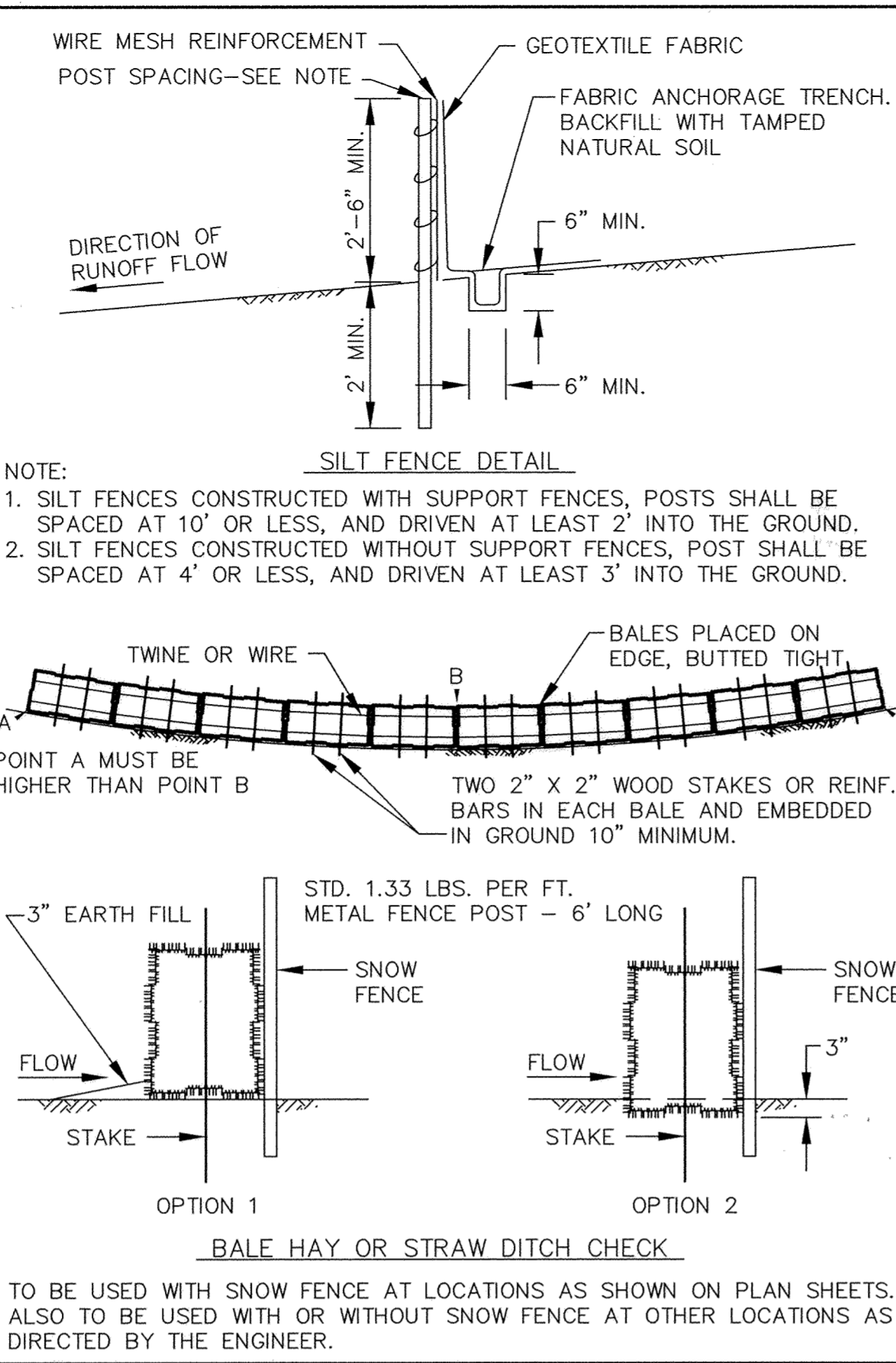
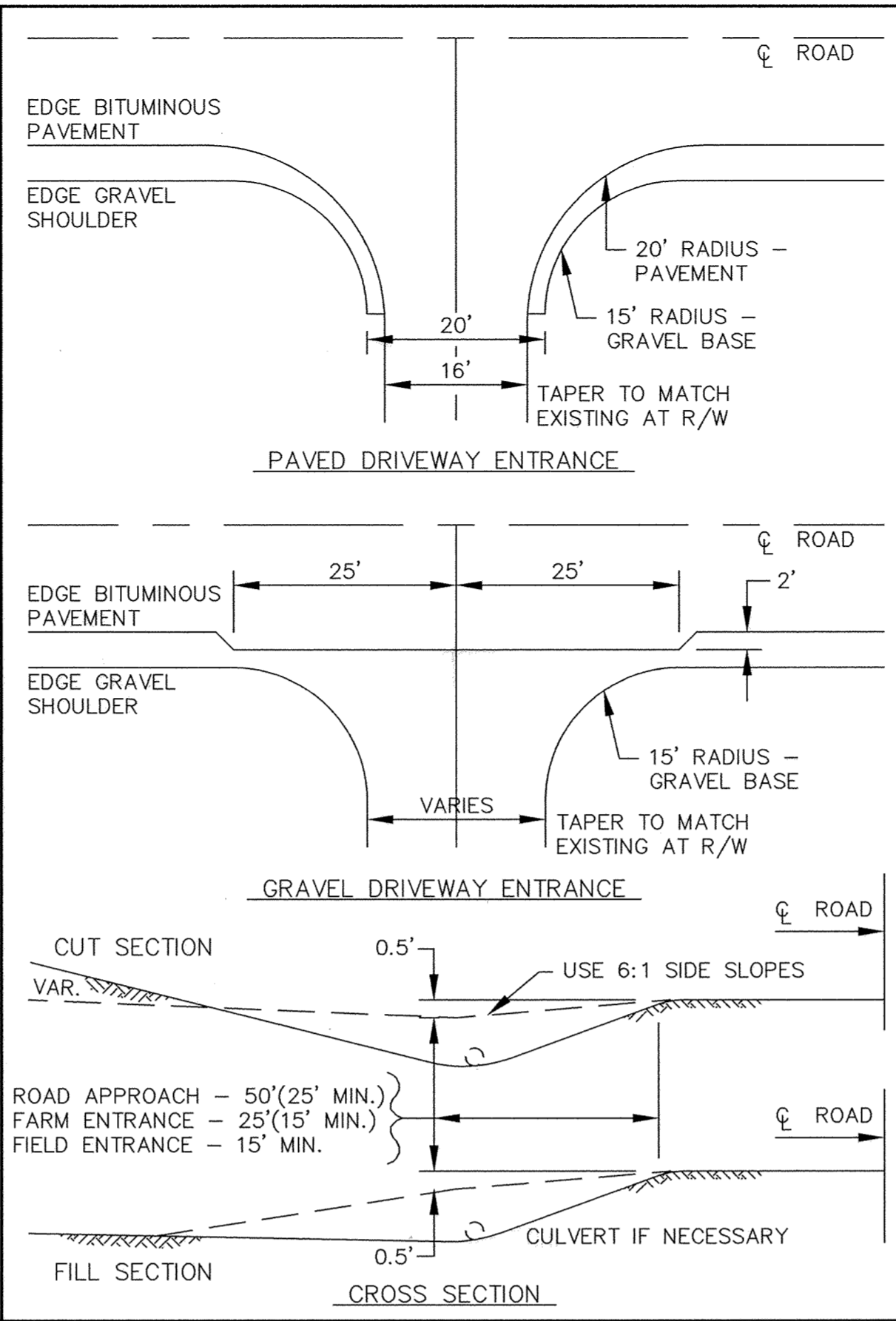


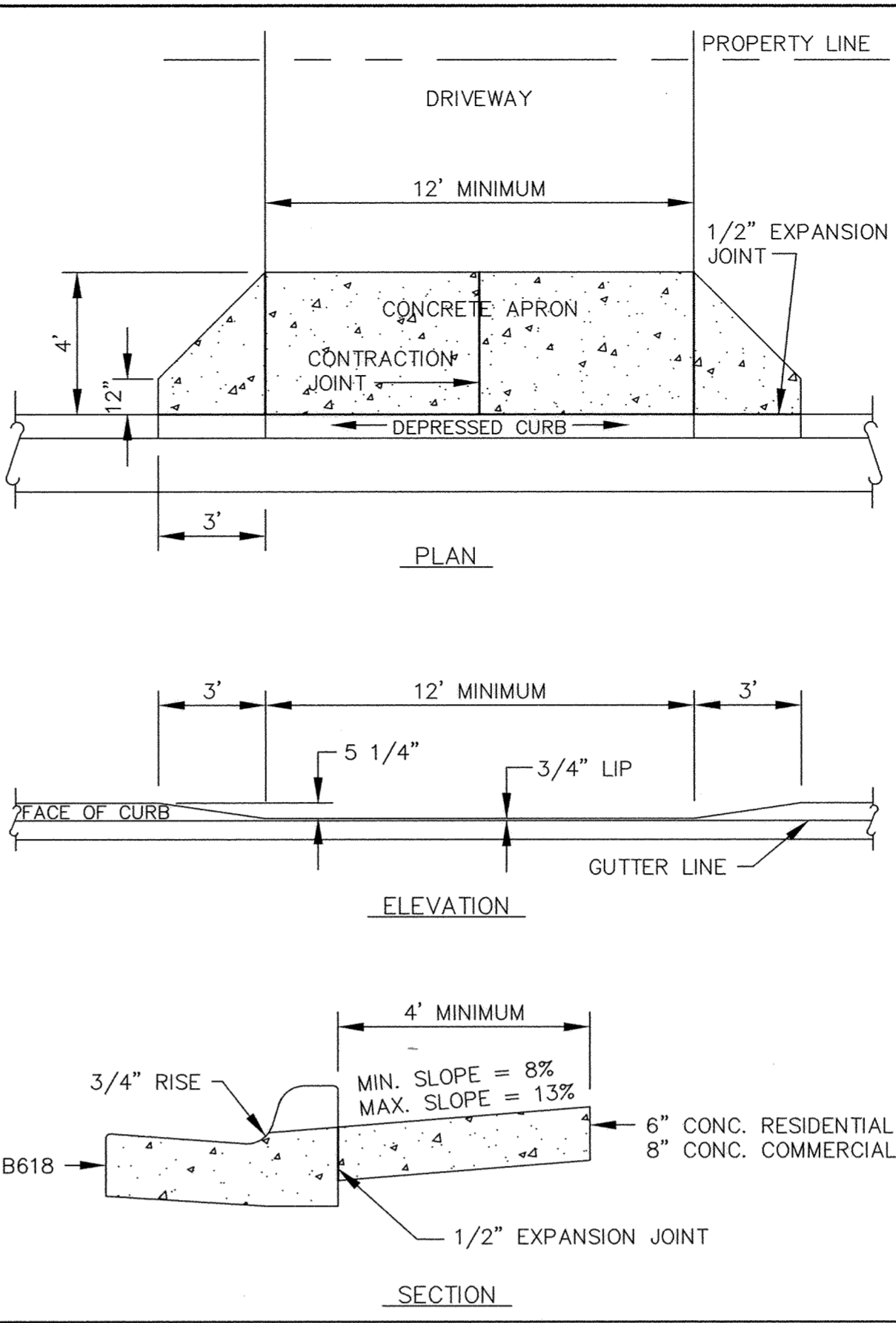
CATCH BASIN FRAME PLACEMENT SURMOUNTABLE CURB AND GUTTER



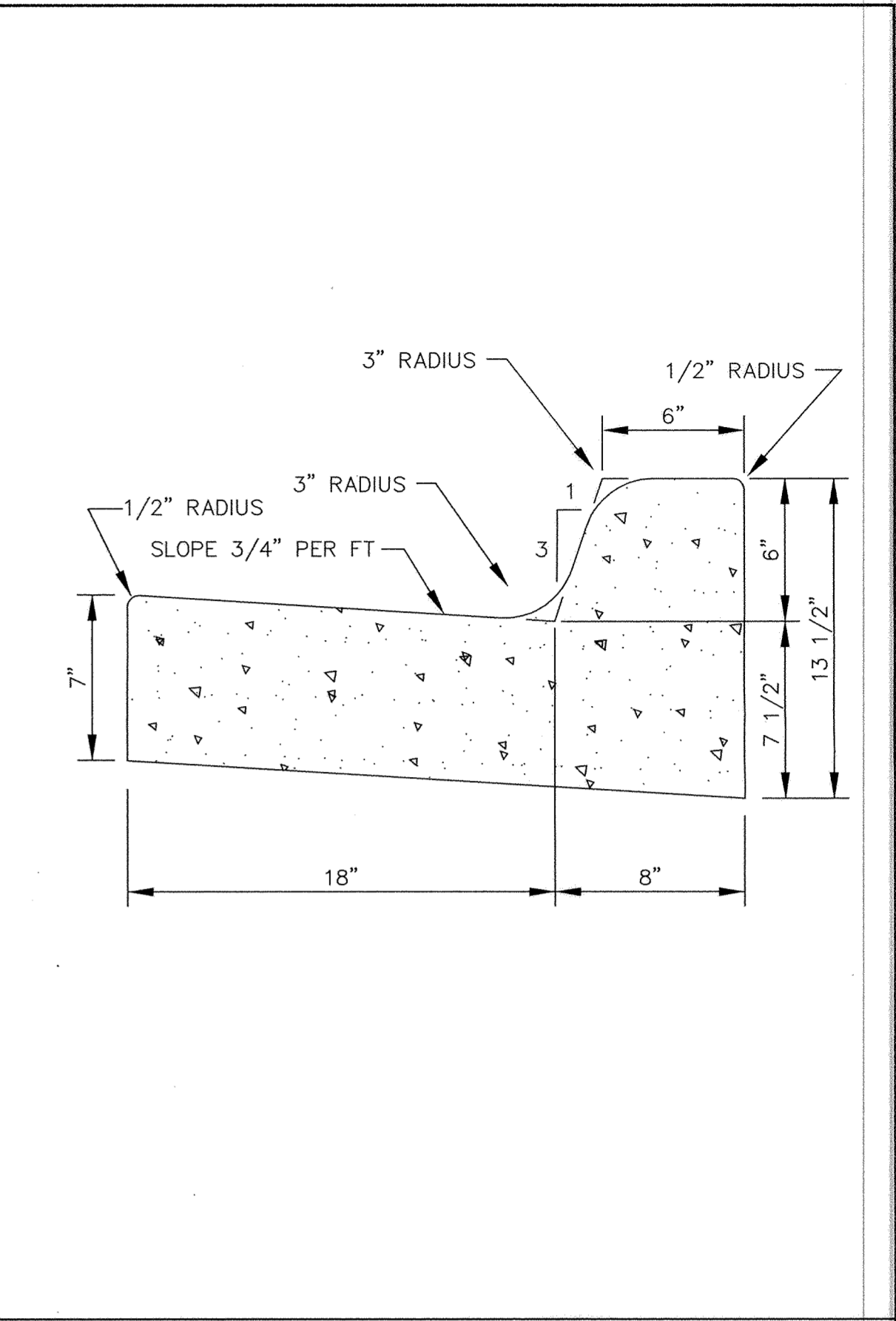
EROSION CONTROL DETAIL



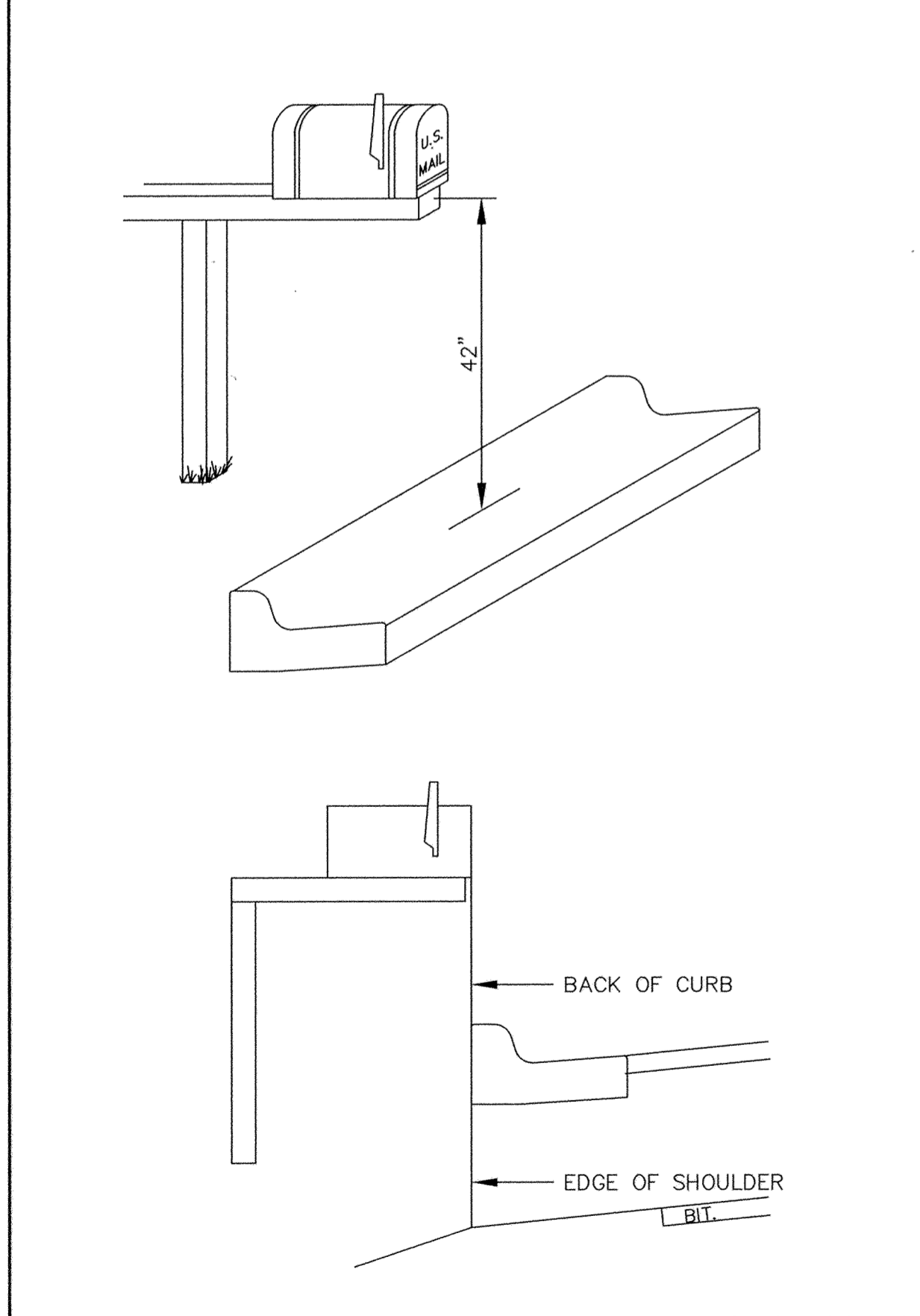
RURAL DRIVEWAY ENTRANCE



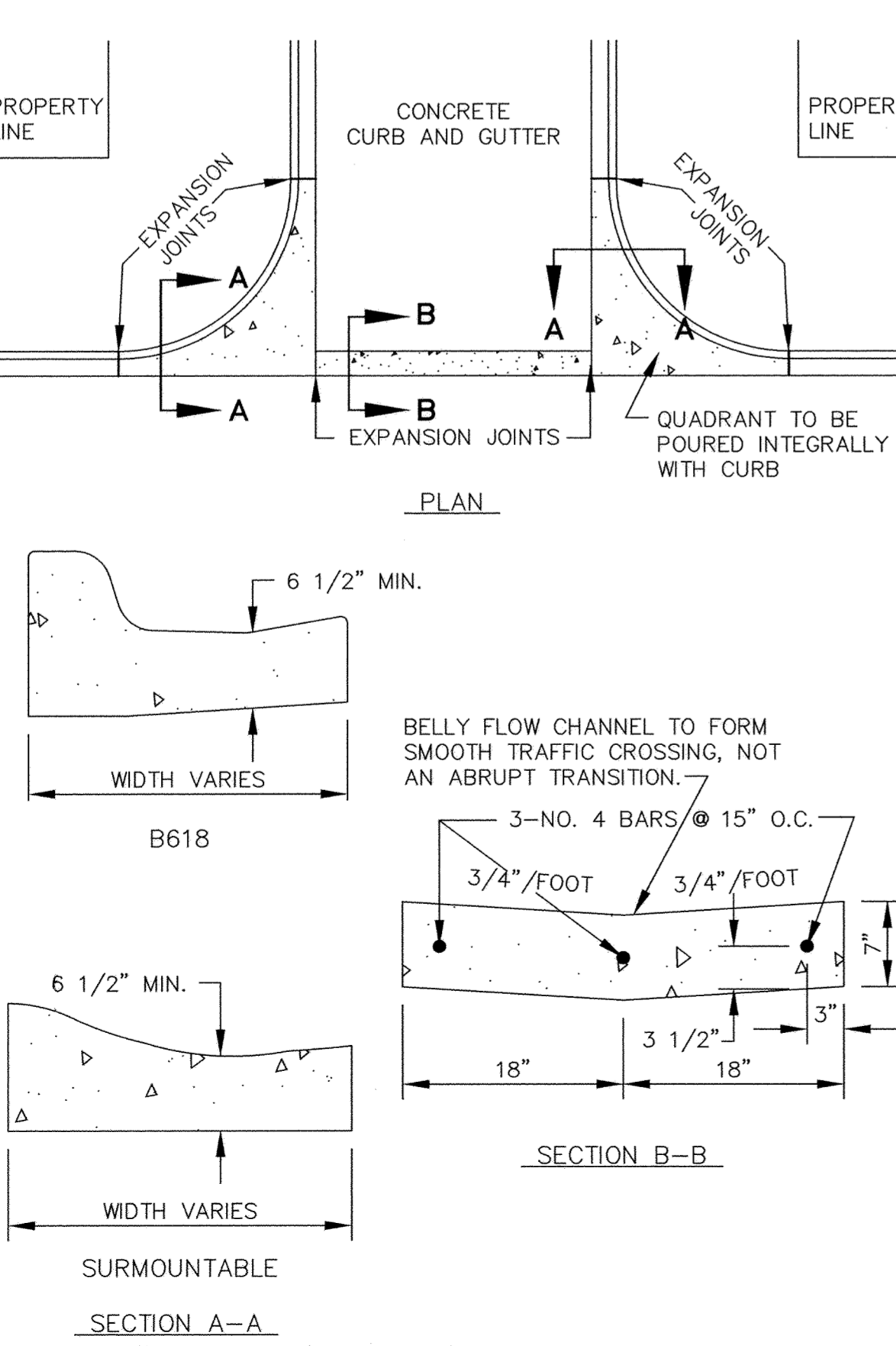
DEPRESSED CURB WITH DRIVEWAY APRON



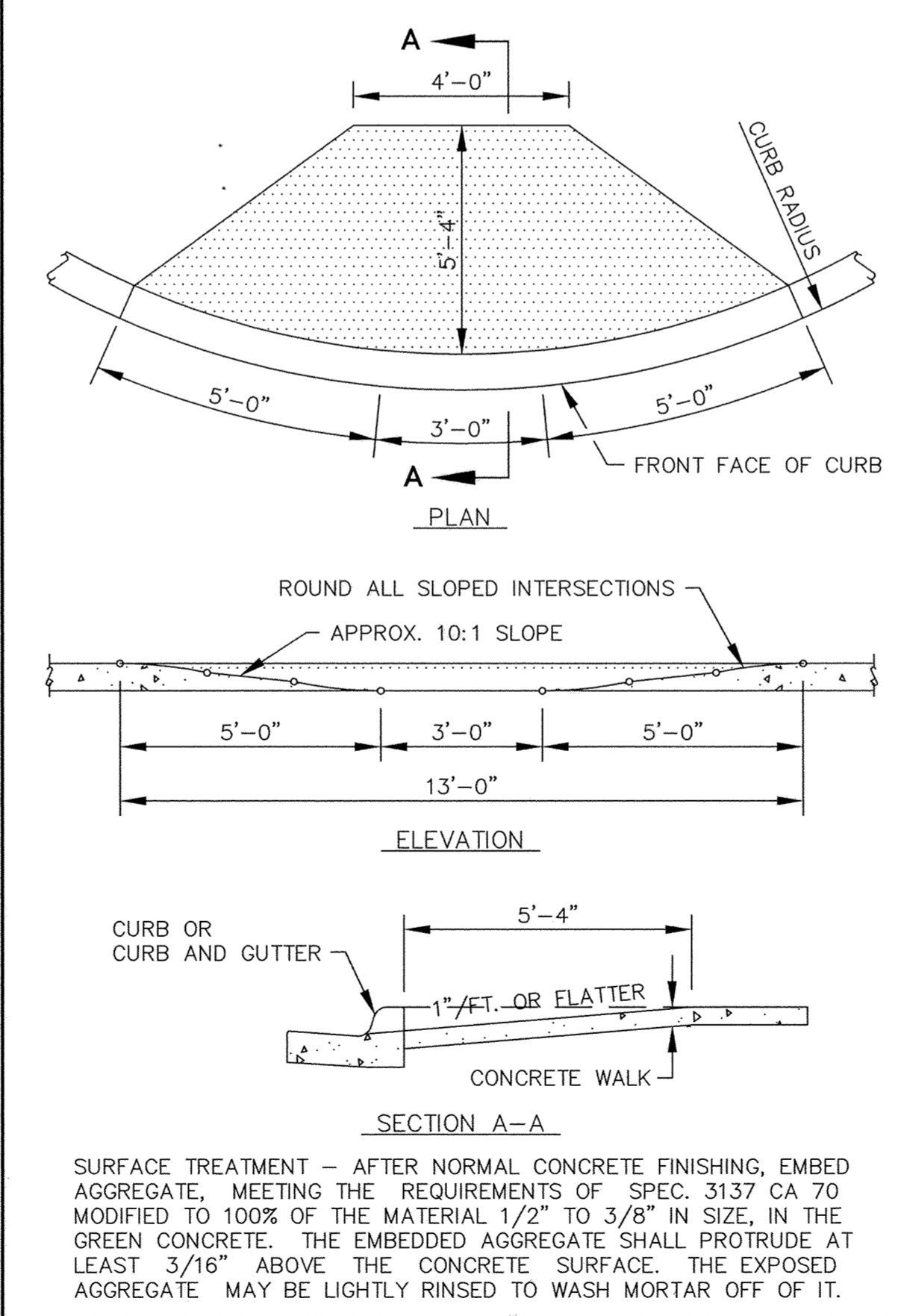
CONCRETE CURB AND GUTTER B618



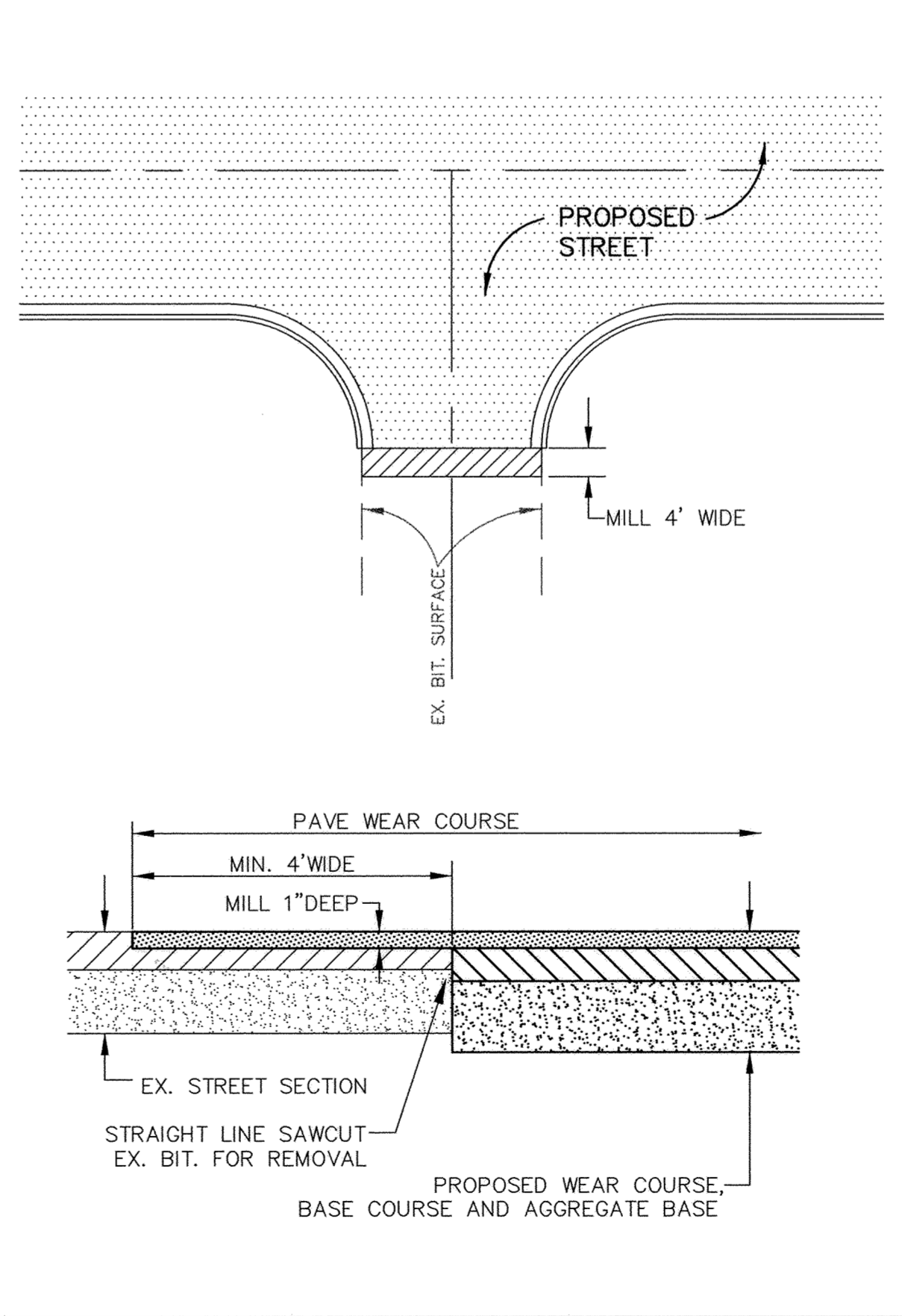
MAIL BOX



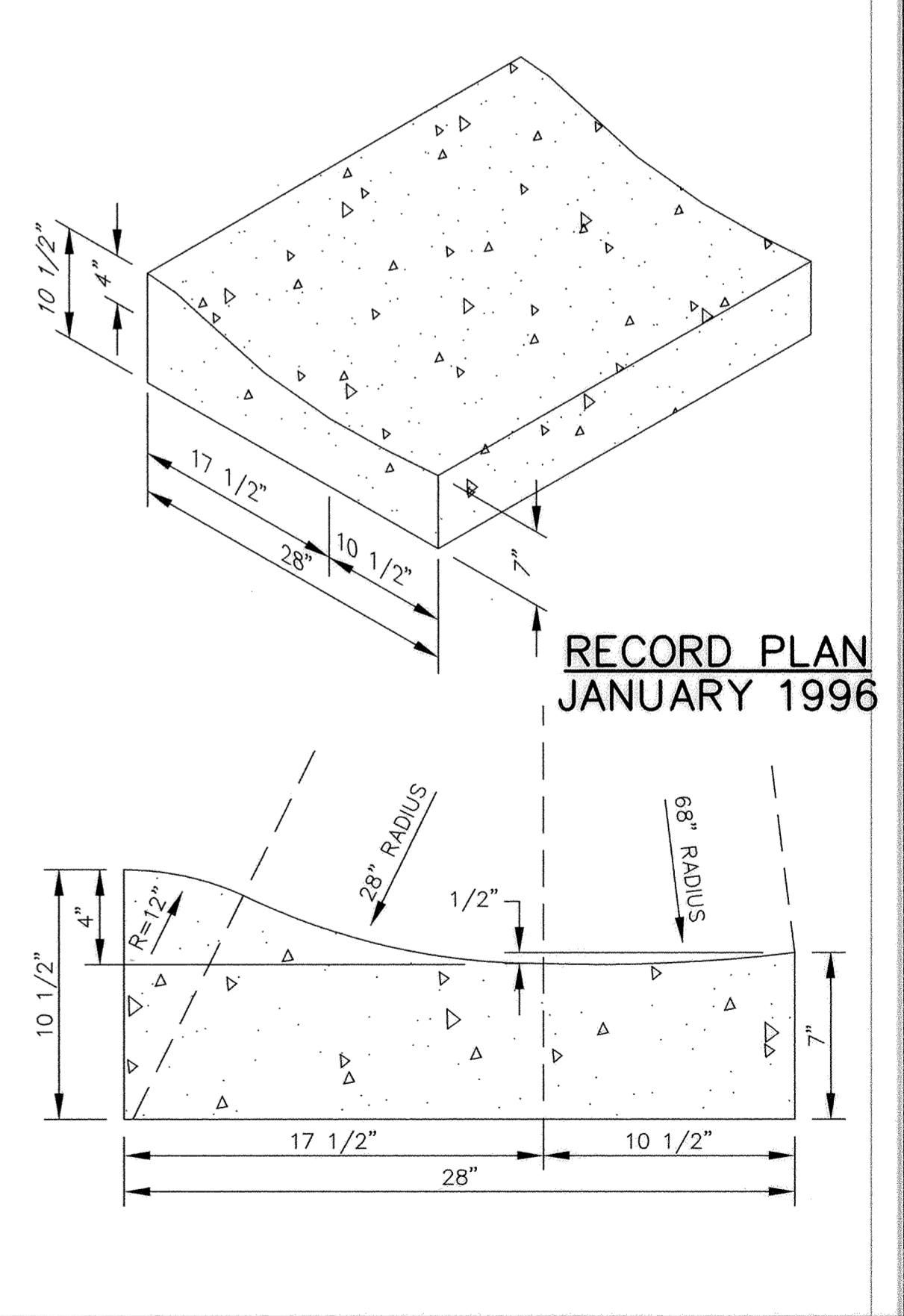
CONCRETE "V" GUTTER



PEDESTRIAN CURB RAMPS



MATCH EXISTING BITUMINOUS SURFACING



SURMOUNTABLE CONCRETE CURB AND GUTTER

I HEREBY CERTIFY THAT THIS PLAN, SPECIFICATION, OR REPORT WAS PREPARED BY ME OR UNDER MY DIRECT SUPERVISION AND THAT I AM A DULY REGISTERED PROFESSIONAL ENGINEER UNDER THE LAWS OF THE STATE OF MINNESOTA.  
*Mark J. Gustam*  
 DATE 5/25/95 REG. NO. 19130



1326 ENERGY PARK DRIVE  
 ST. PAUL, MINNESOTA 55108  
 (612) 644-4389  
 5075 WAYZATA BLVD. SUITE #225  
 MINNEAPOLIS, MINNESOTA 55416  
 (612) 546-0432

DATE	DESCRIPTION	DESIGNED
		CHECKED
		DRAWN
		GRAPHIC SCALE
		0 HORIZ. N/A
		0 VERT. 5

CITY OF ELK RIVER MAIN STREET / EVANS AVENUE STORM SEWER CONSTRUCTION			
STREET CONSTRUCTION DETAILS			
DATE	MAY 1995	SHEET	18 OF 18 SHEETS
PROJECT NO.		230-265	