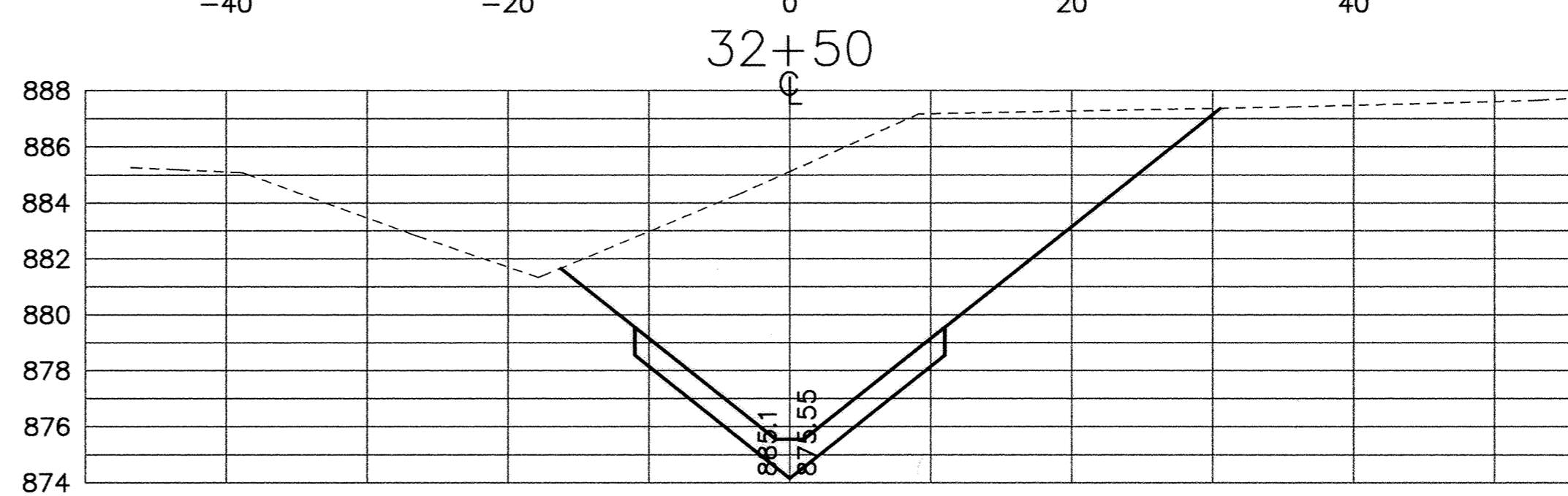
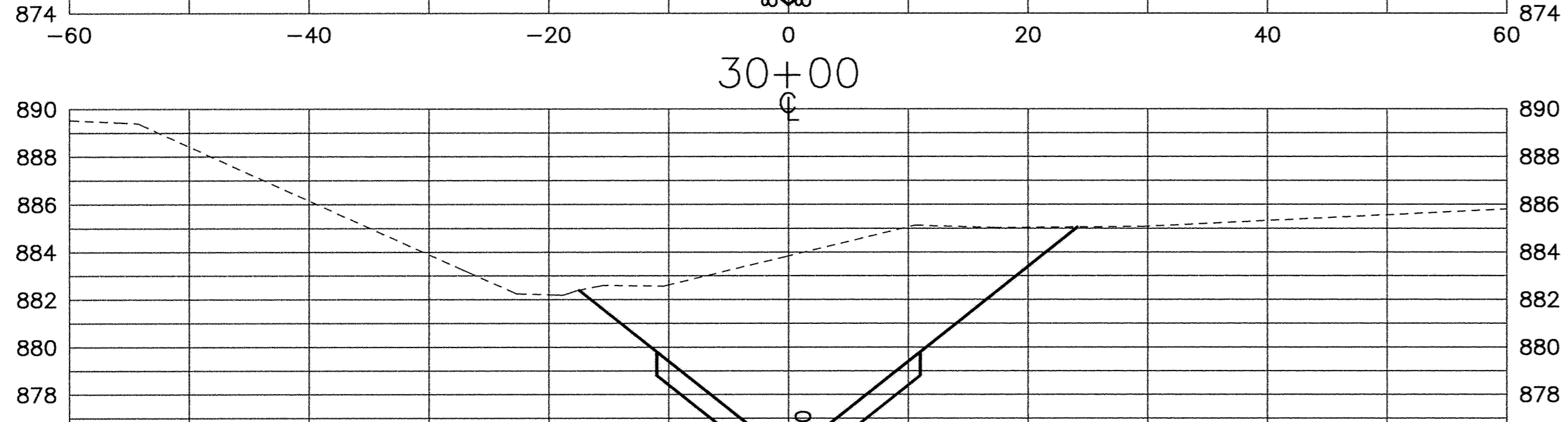
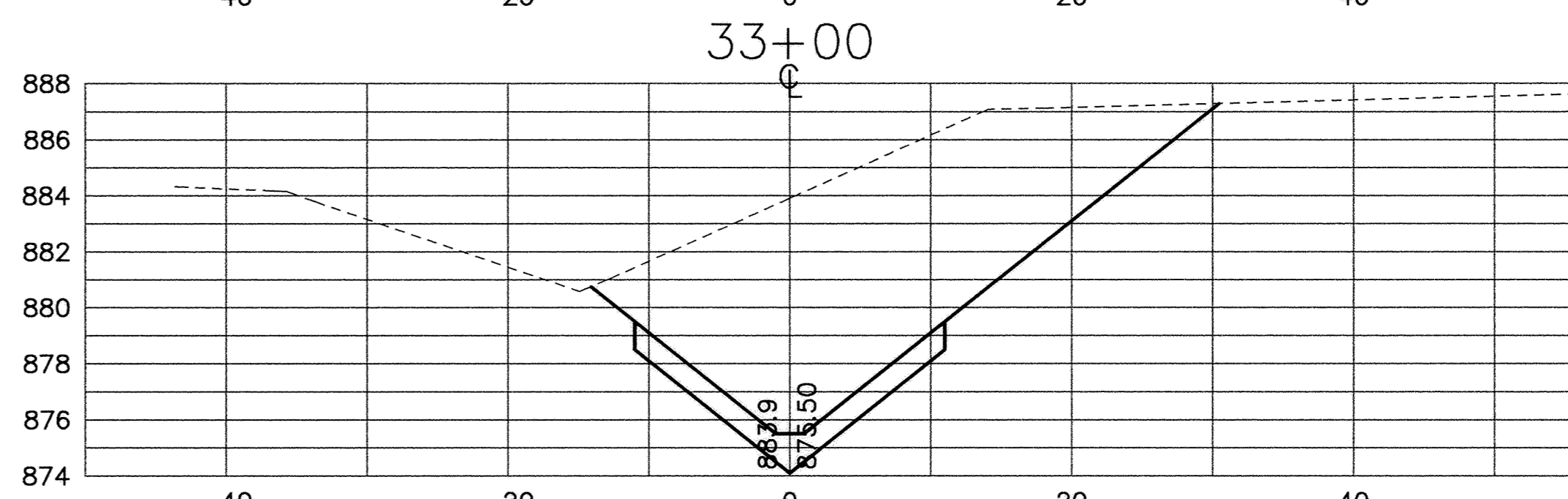
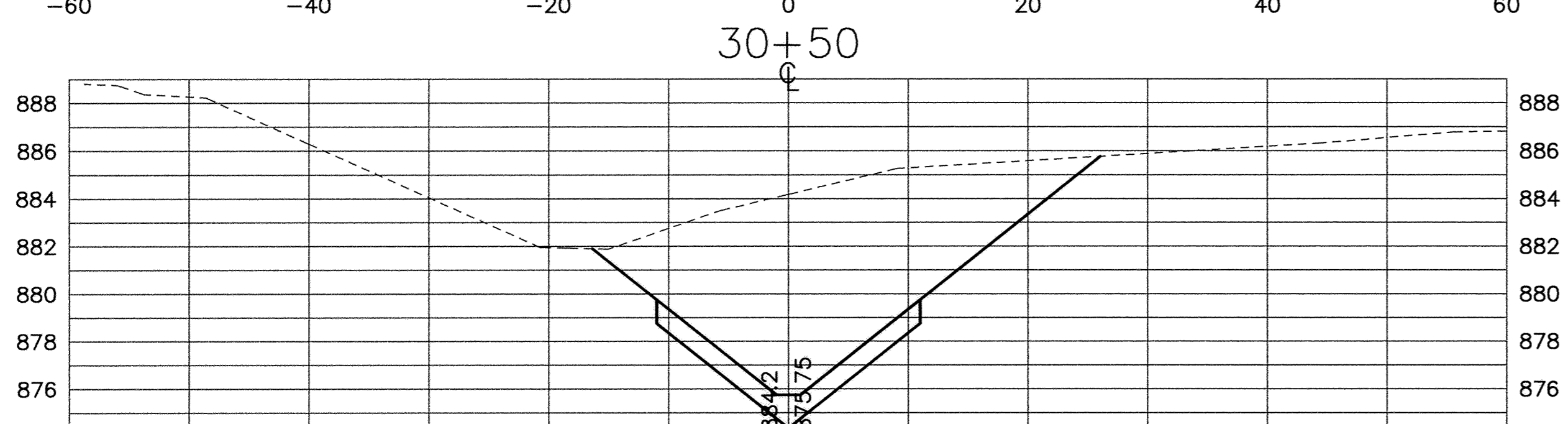
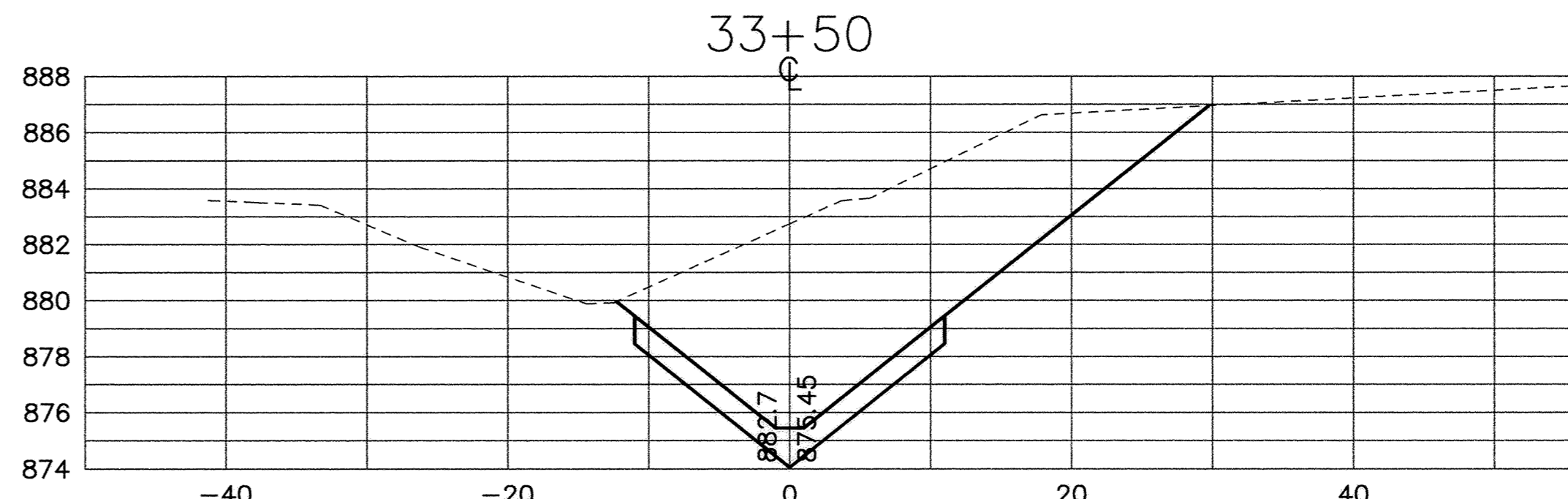
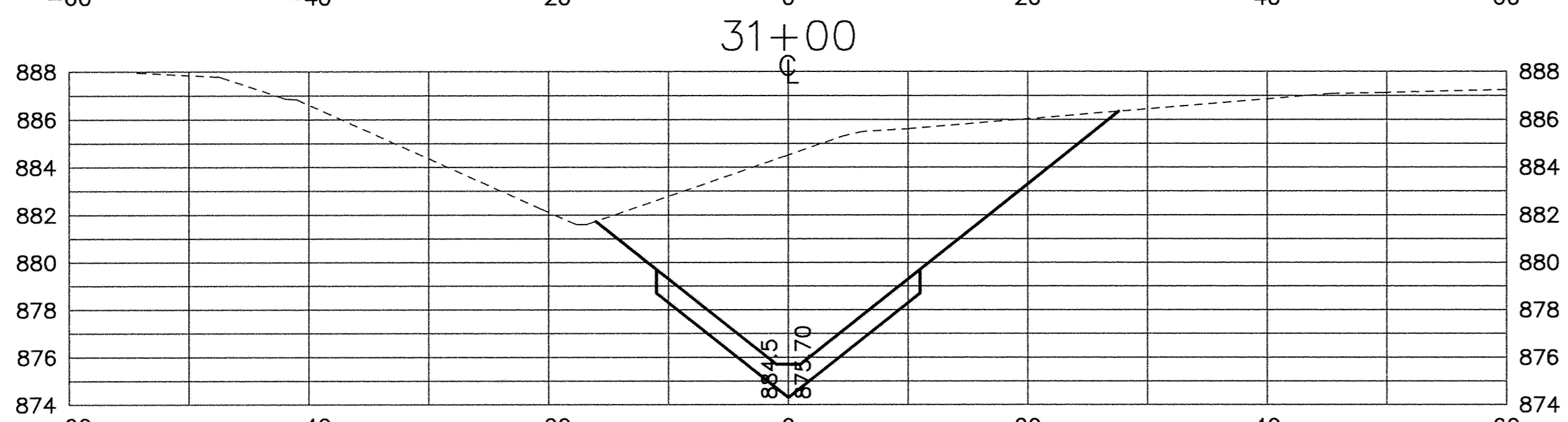
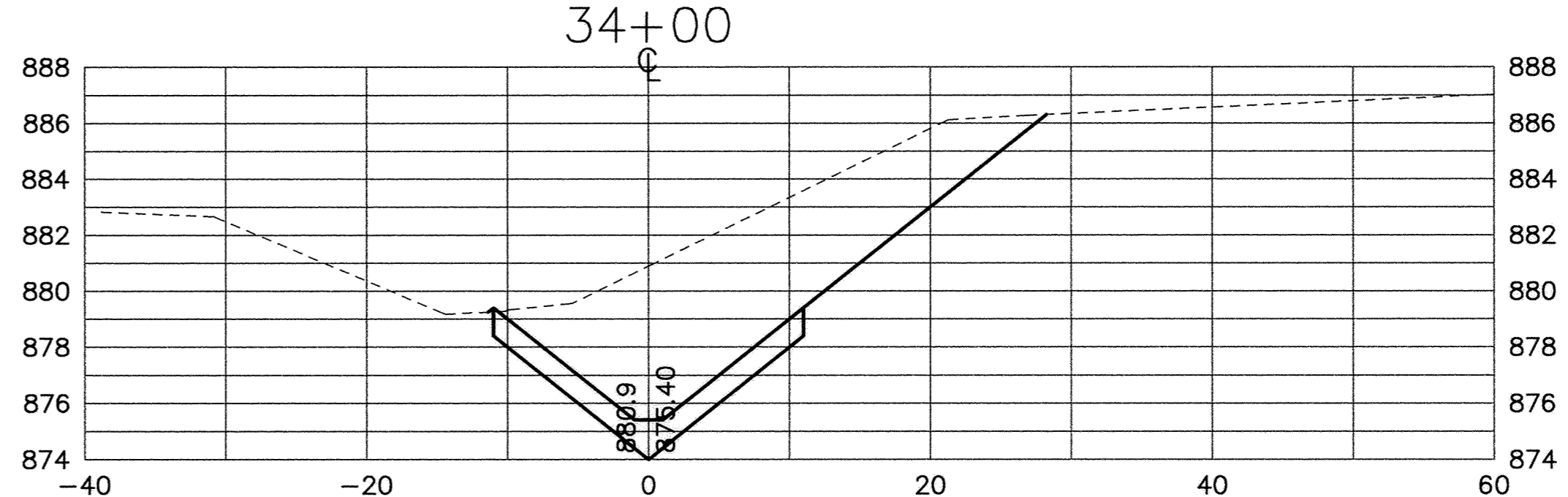
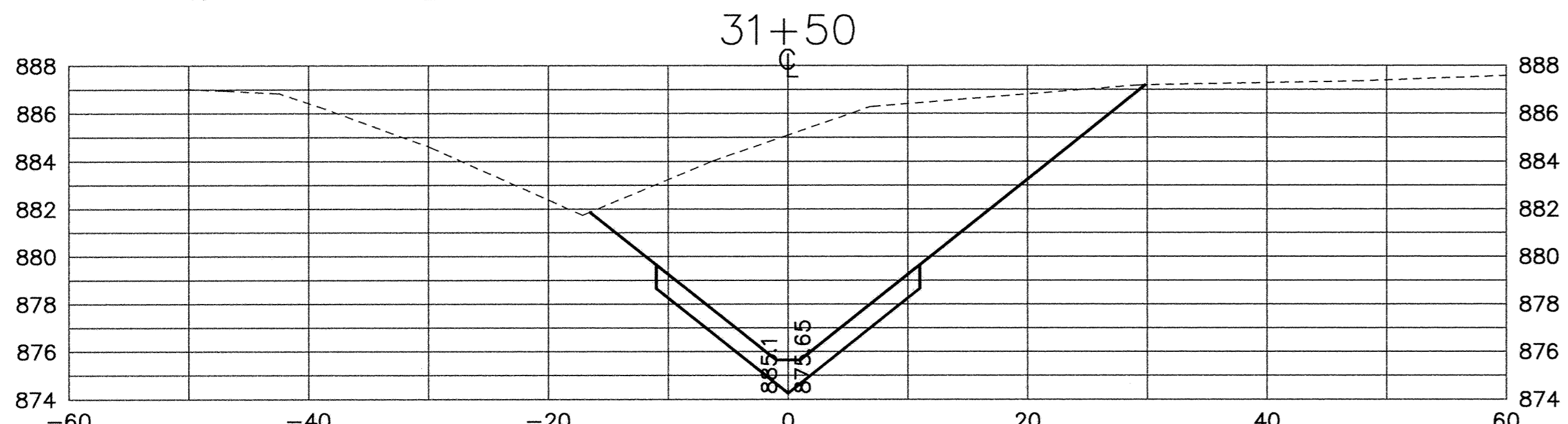
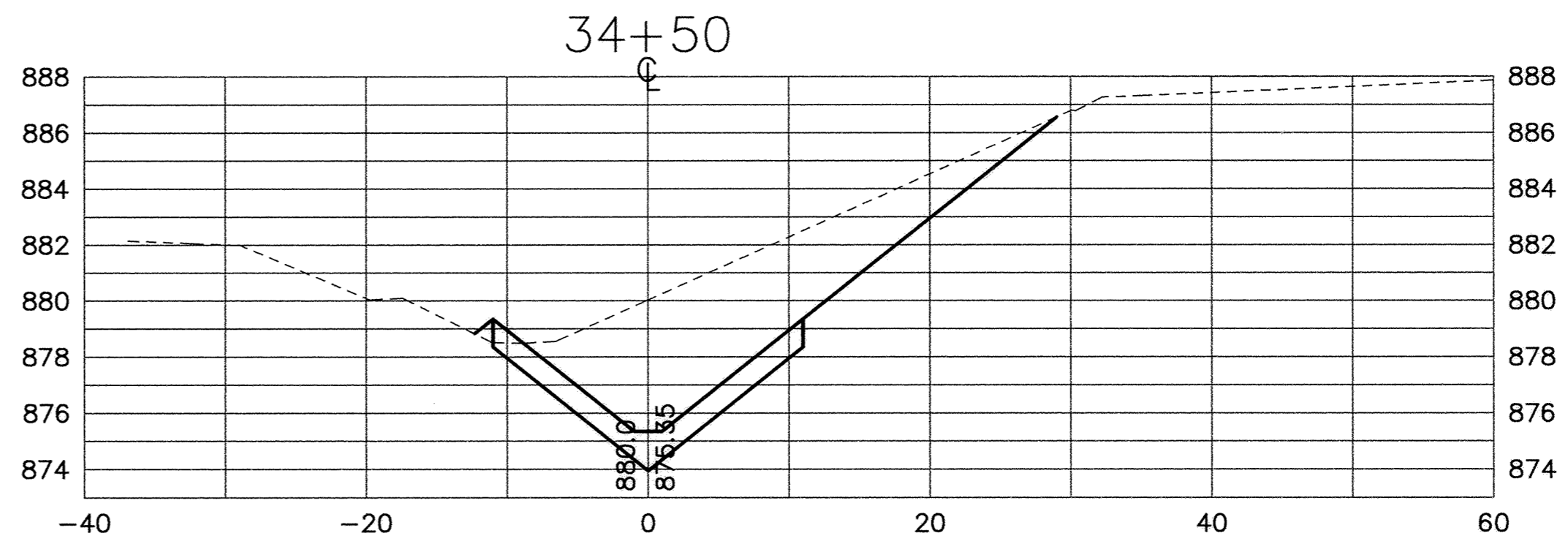
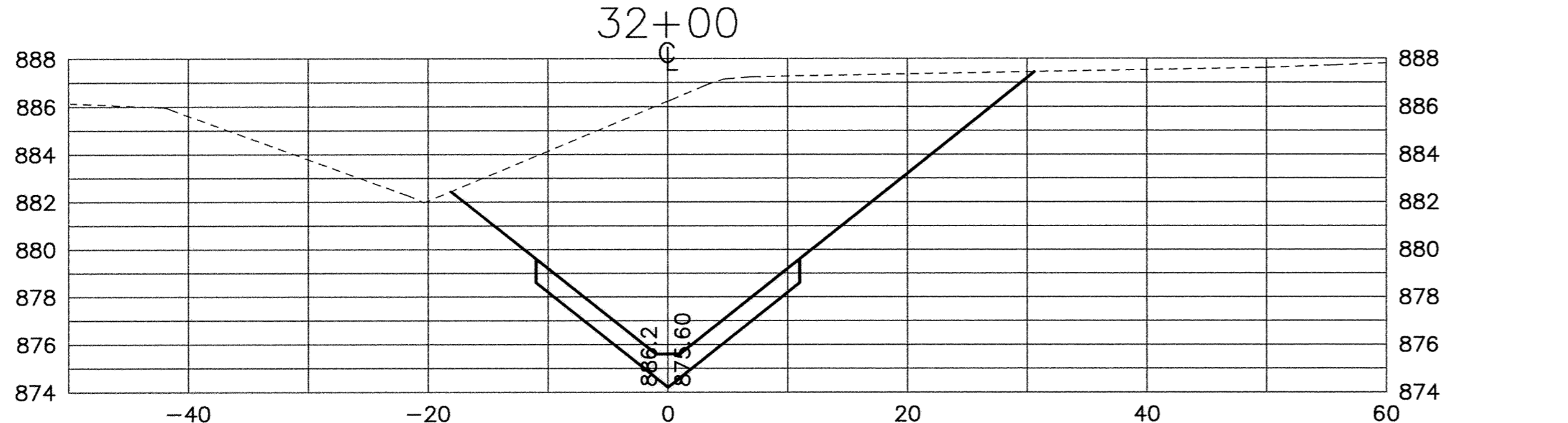
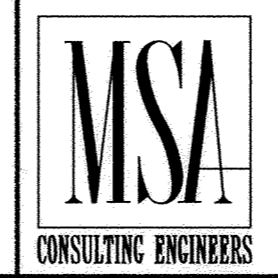


SARGO PRODUCTS • NEW HOPK, MINNESOTA  
REVISION BY PART NUMBER 0592



RECORD PLAN  
JANUARY 1996

I HEREBY CERTIFY THAT THIS PLAN, SPECIFICATION, OR REPORT WAS PREPARED BY ME OR UNDER MY DIRECT SUPERVISION AND THAT I AM A DULY REGISTERED PROFESSIONAL ENGINEER UNDER THE LAWS OF THE STATE OF MINNESOTA.  
*Mark J. Graham*  
 DATE 5/25/95 REG. NO. 19130



1326 ENERGY PARK DRIVE  
 ST. PAUL, MINNESOTA 55108  
 (612) 644-4389  
 5075 WAYZATA BLVD. SUITE #225  
 MINNEAPOLIS, MINNESOTA 55416  
 (612) 546-0432

DATE	DESCRIPTION	DESIGNED

CITY OF ELK RIVER MAIN STREET / EVANS AVENUE STORM SEWER CONSTRUCTION DITCH SECTIONS		30+00 TO 34+50
DATE MAY 1995	SHEET 14 OF 18 SHEETS	PROJECT NO. 230-265