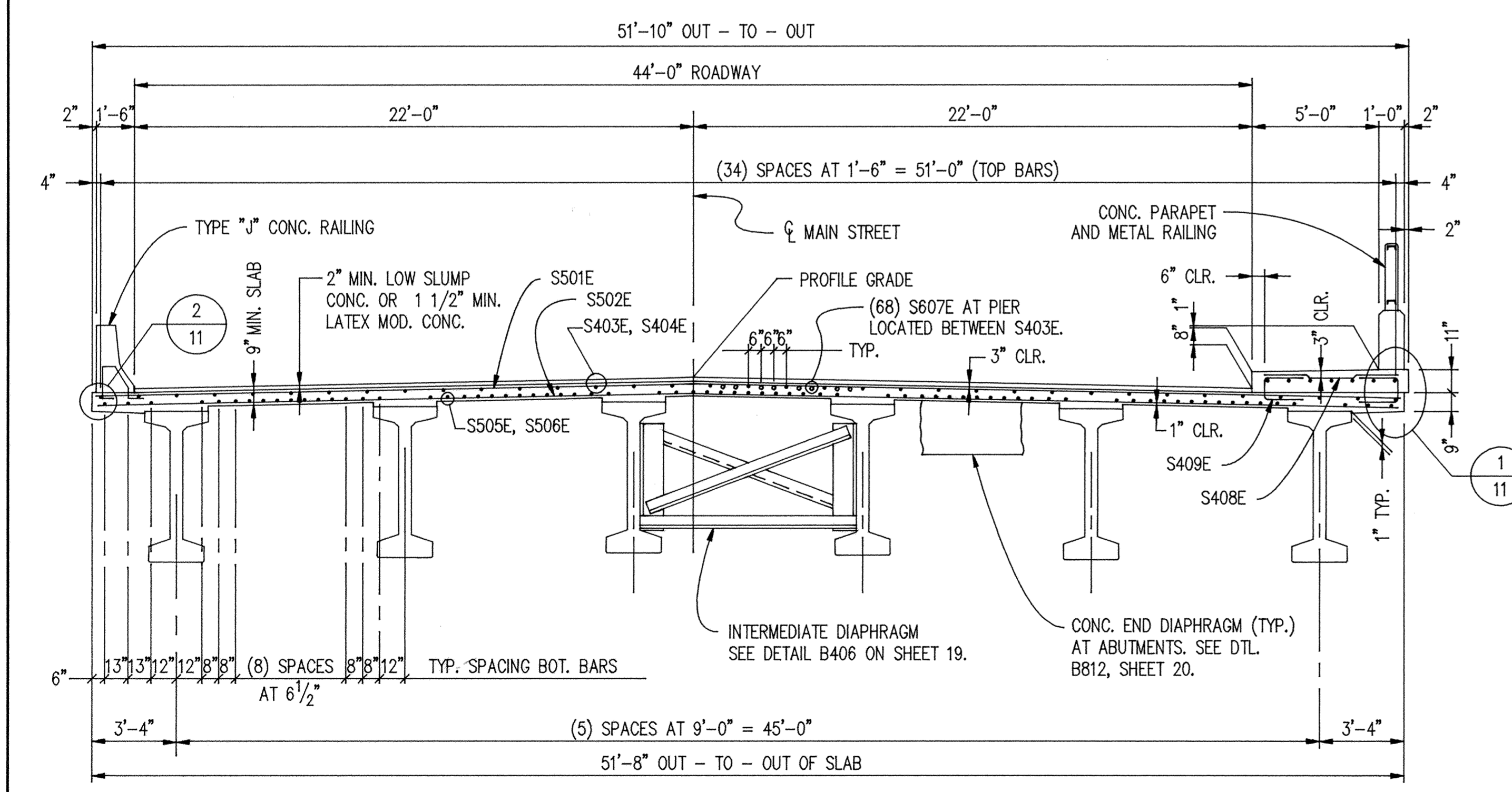


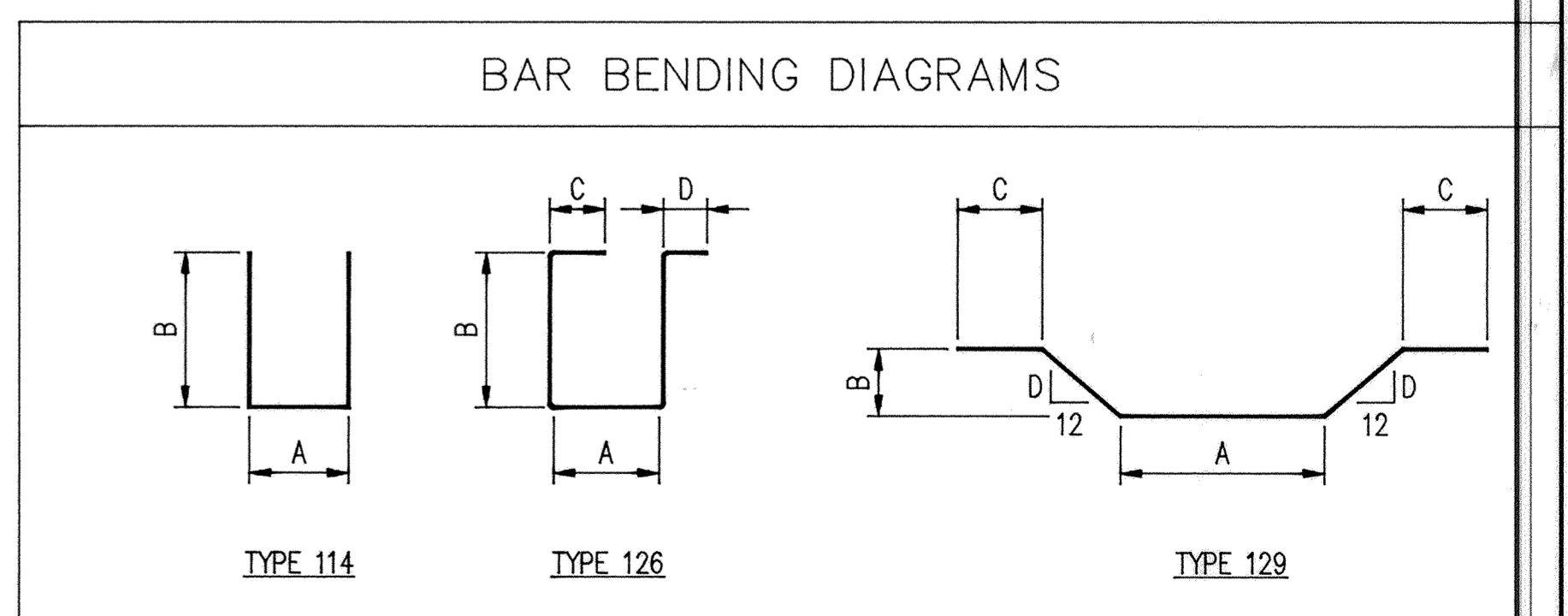
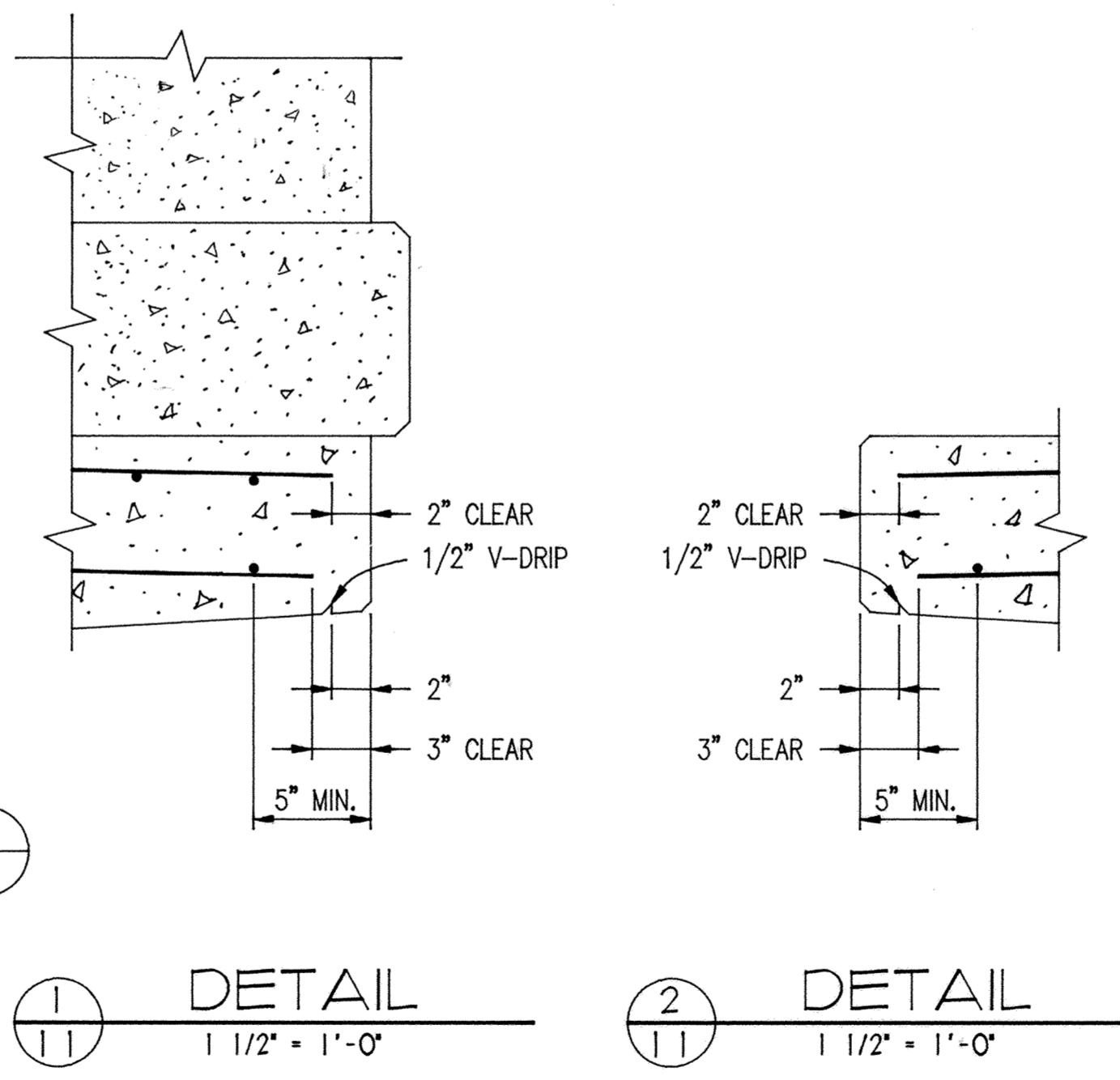
DECK PLAN

BILL OF REINFORCEMENT FOR SUPERSTRUCTURE

BAR MARK	NO. BARS	NO. SERIES	LENGTH	TYPE	DIM A	DIM B	DIM C	DIM D	LOCATION
S501E	479		51 - 4	STR					SLAB TRANS. TOP
S502E	479		51 - 2	STR					SLAB TRANS. BOT.
S403E	294		30 - 0	STR					SLAB LONG. TOP
S404E	42		36 - 1	STR					SLAB LONG. TOP
S505E	355		40 - 0	STR					SLAB LONG. BOT.
S506E	71		45 - 3	STR					SLAB LONG. BOT.
S607E	68		15 - 0	STR					SLAB LONG. @ PIER
S408E	164		5 - 6	STR					SIDEWALK TRANS.
S409E	320		3 - 9	114	0-9	1-6			SIDEWALK TIES
S710E	20		7 - 0	STR					END DIAPH. LONG.
S411E	20		6 - 2	STR					END DIAPH. LONG.
S612E	10		14 - 9	129	2-5	2-3	3-0	12	END DIAPH. LONG.
S413E	50		6 - 8	126	1-0	2-4	0-6	0-6	END DIAPH. TIES
S714E	16		5 - 0	STR					END DIAPH. @ BEAMS



TYPICAL SECTION



Larson
ENGINEERING OF MINNESOTA
3524 LABORE ROAD
WHITE BEAR LAKE, MN. 55110
612-481-9120

S.P. 204-113-03
DECK PLAN & DETAILS

DES : RLD	DR : GLA	APPROVED : 7-2-92	Bridge No. 71517
CHK : DRM	CHK : DRM	Sheet No. 11 of 24 Sheets	

RECORD PLAN OCT. 1993
Rev. 7-7-92