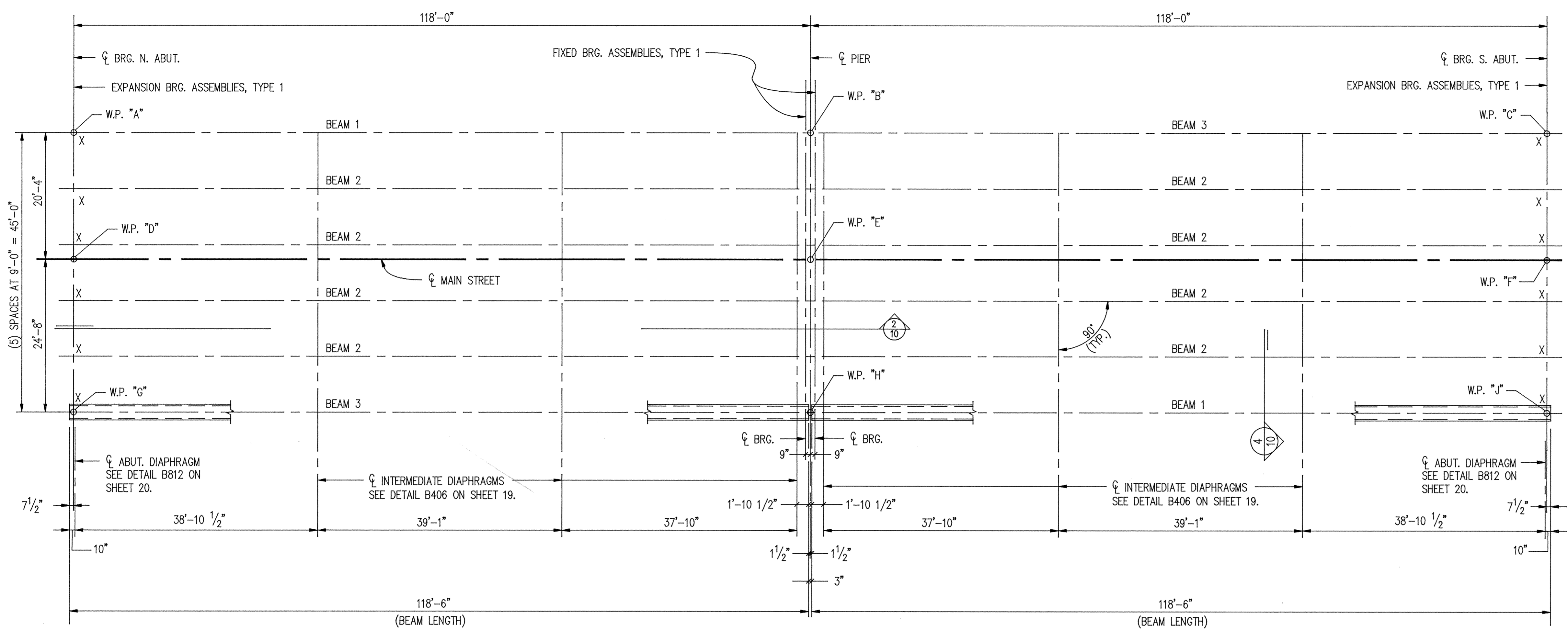


SUMMARY OF QUANTITIES FOR SUPERSTRUCTURE

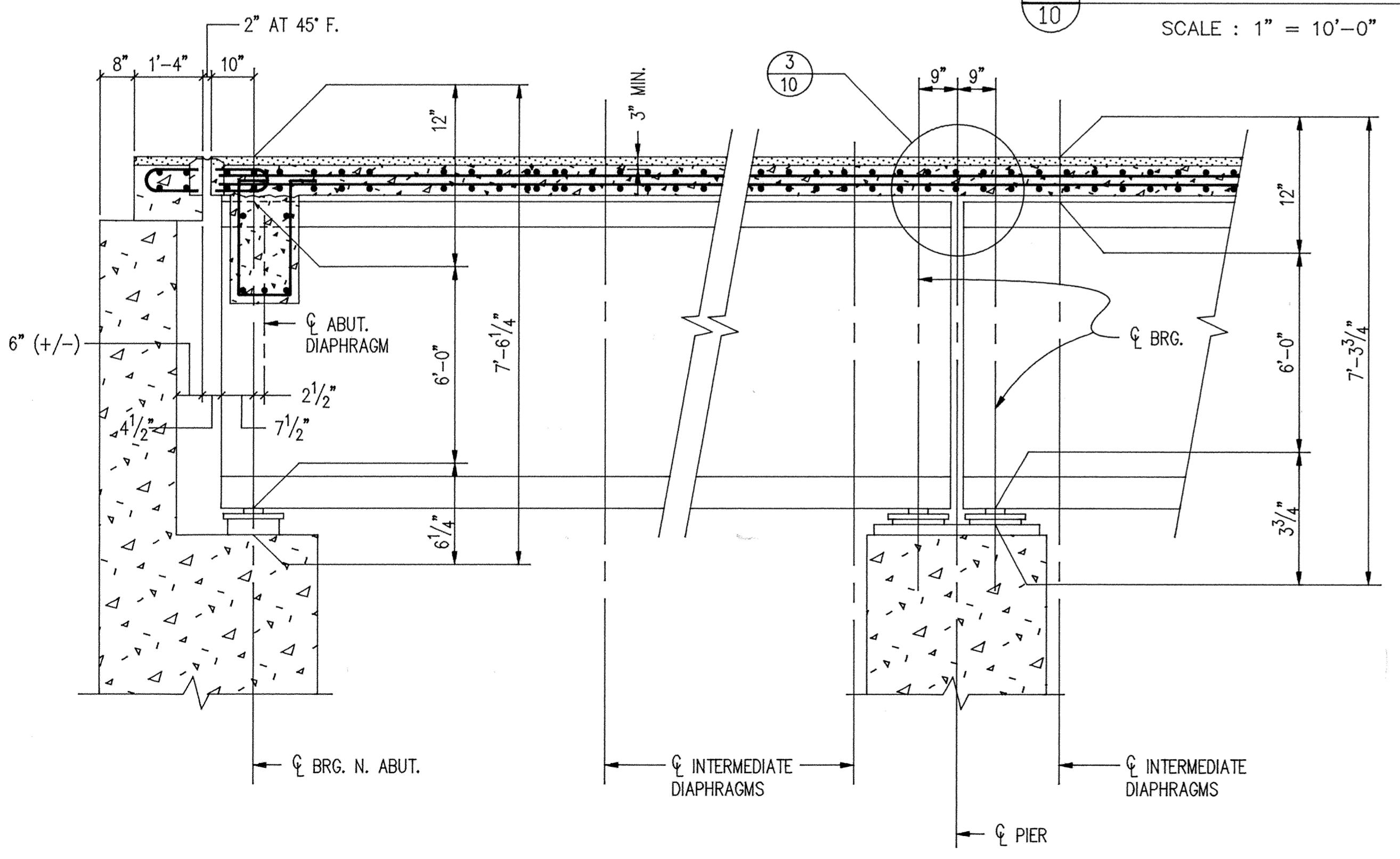
ITEM	UNIT	QUANTITY
① BRIDGE SLAB CONCRETE (3Y36)	SQ. FT.	12435
② STRUCTURE CONCRETE (3Y43)	CU. YD.	7
③ TYPE J RAILING CONCRETE (3Y46)	LIN. FT.	275
④ REINFORCEMENT BARS (EPOXY COATED)	POUND	89580
BEARING ASSEMBLIES	EACH	24
⑤ BRIDGE NAME PLATE	EACH	1
⑥ PREFORMED JOINT FILLERS		
⑦ CONCRETE OVERLAY TYPE SPECIAL	SQ. FT.	10590
⑧ PRESTRESSED CONCRETE BEAMS, 72	LIN. FT.	1422
⑨ PRESTRESSED CONCRETE BEAMS, 72	EACH	12
DIAPHRAGMS FOR TYPE 72 PRESTRESSED BEAMS	LIN. FT.	270
⑩ ORNAMENTAL METAL RAILING	LIN. FT.	275
⑪ SIDEWALK CONCRETE (3Y46)	SQ. FT.	1656
⑫ TYPE SPECIAL RAILING CONCRETE (3Y46)	LIN. FT.	275
EXPANSION JOINT DEVICES, TYPE 4	LIN. FT.	100
UTILITY PROVISIONS	LUMP SUM	ONE
CONDUIT SYSTEM (LIGHTING)	LUMP SUM	ONE

QUANTITY NOTES :

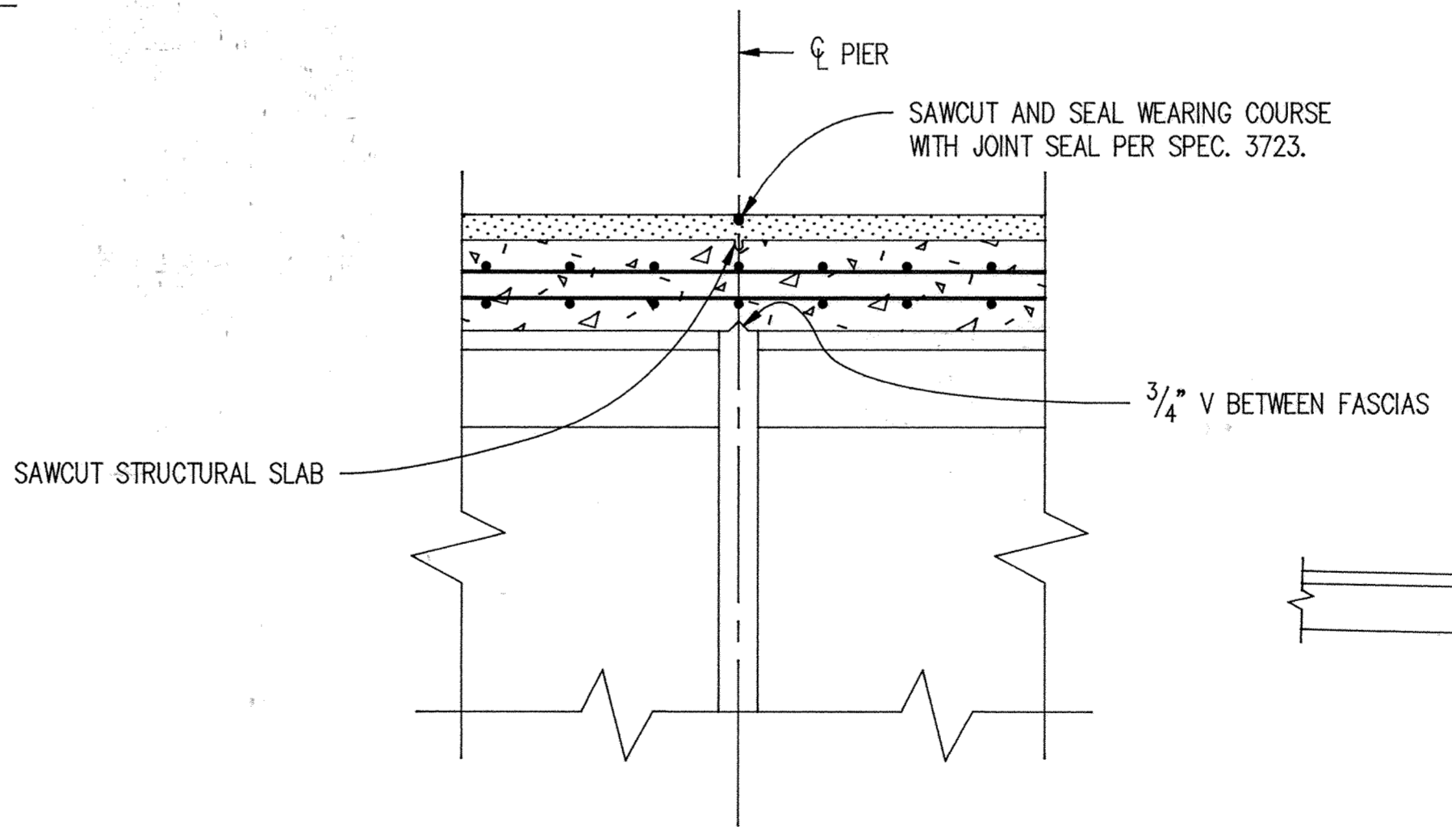
- ① BRIDGE SLAB CONCRETE 3Y36 VOLUME IS APPROXIMATELY 300 CU. YDS., USING LOW SLUMP CONCRETE OVERLAY ALTERNATE, (319 CU. YDS. WITH LATEX OPTION) AND AN AVERAGE OF STOOB HEIGHT OF 2 INCHES. INCLUDES END BLOCKS.
- ② TYPE "J" RAILING CONCRETE (3Y46) VOLUME IS APPROXIMATELY 30 CUBIC YARDS.
- ③ TO BE INCLUDED IN PRICE BID FOR OTHER ITEMS.
- ④ SEE SCHEDULE ON SHEET 2.
- ⑤ CONCRETE OVERLAY TYPE SPECIAL VOLUME IS APPROXIMATELY 66 CU. YDS. USING LOW SLUMP CONCRETE OVERLAY ALTERNATE.
- ⑥ PAYMENT FOR BEAMS INCLUDED IN ITEM "PRESTRESSED CONCRETE BEAMS 72", PER LINEAR FOOT.
- ⑦ NOT USED
- ⑧ INCLUDES END DIAPHRAGM CONCRETE.
- ⑨ INCLUDES RAILING REINFORCEMENT.
- ⑩ TYPE SPECIAL RAILING CONCRETE (3Y46) VOLUME IS APPROXIMATELY 24 CUBIC YARDS.
- ⑪ SIDEWALK CONCRETE (3Y46) VOLUME IS APPROXIMATELY 52 CU. YDS.
- ⑫ IN ADDITION TO STD. NAME PLATE, CONTRACTOR SHALL CAREFULLY REMOVE THE NAME PLATE FROM THE OLD BRIDGE AND INSTALL IT ALONG WITH THE NEW NAME PLATE.



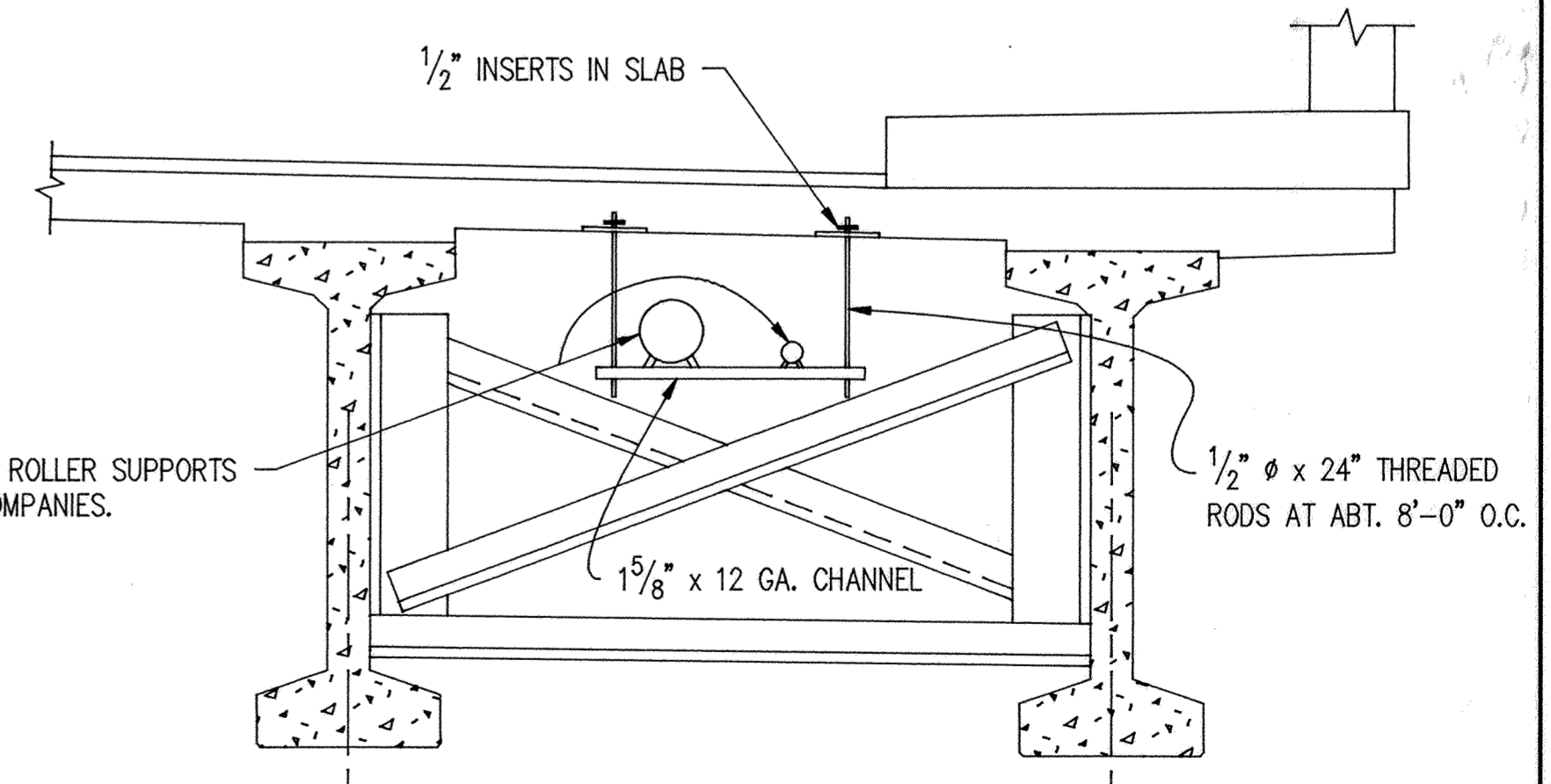
① FRAMING PLAN SCALE : 1" = 10'-0"



② SECTION



③ SECTION



④ SECTION TO BE PAID FOR AS "UTILITY PROVISIONS"

Larson
ENGINEERING OF MINNESOTA
3524 LABORE ROAD
WHITE BEAR LAKE, MN. 55110
612-481-9120

S.P. 204-113-03

FRAMING PLAN

DES : RLD	DR : GLA	APPROVED :	Bridge No. 71517
CHK : DRM	CHK : DRM	7-2-92	
Sheet No. 10 of 24 Sheets			

RECORD PLAN OCT. 1993
REV. 7-7-92