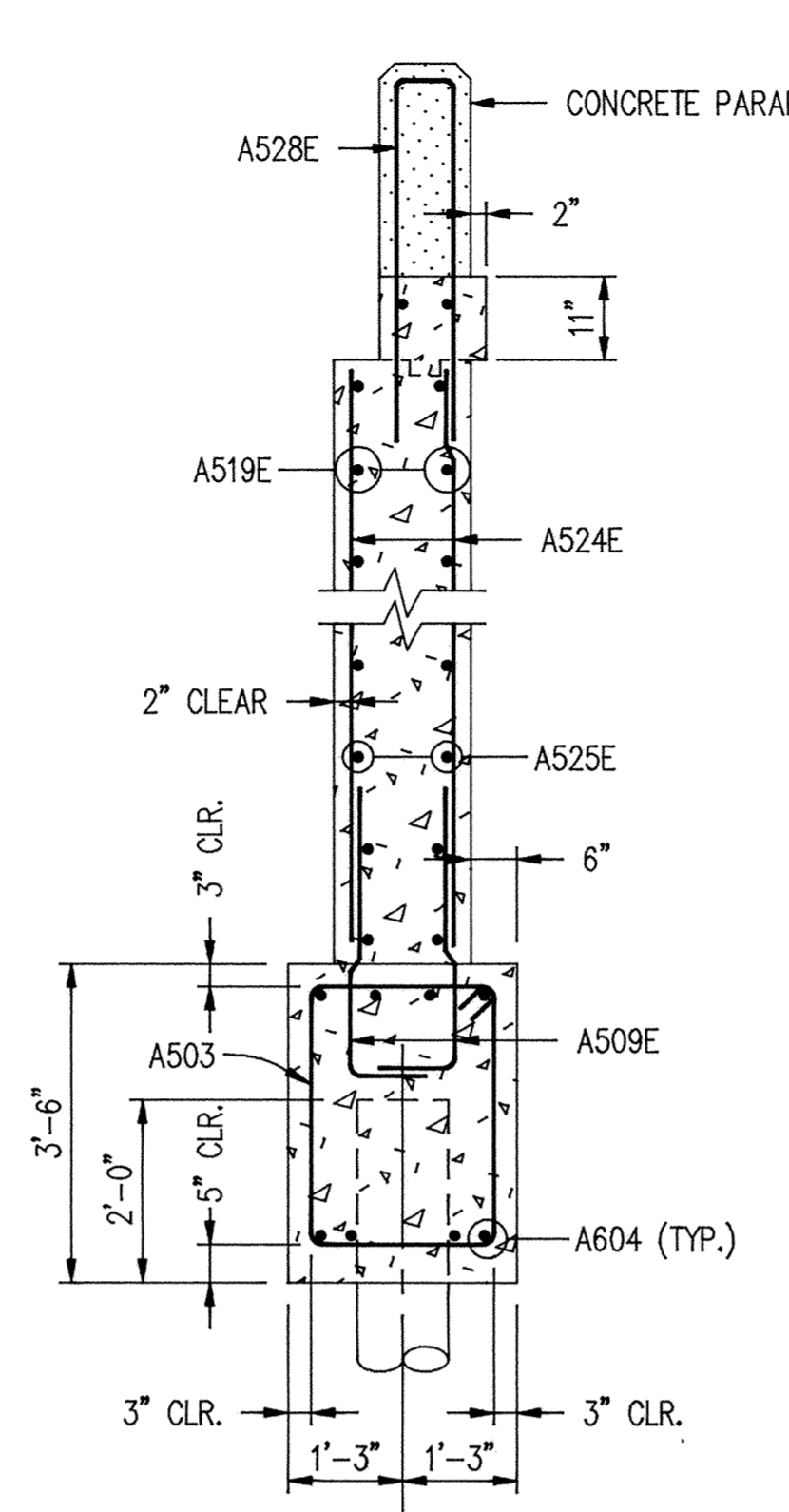
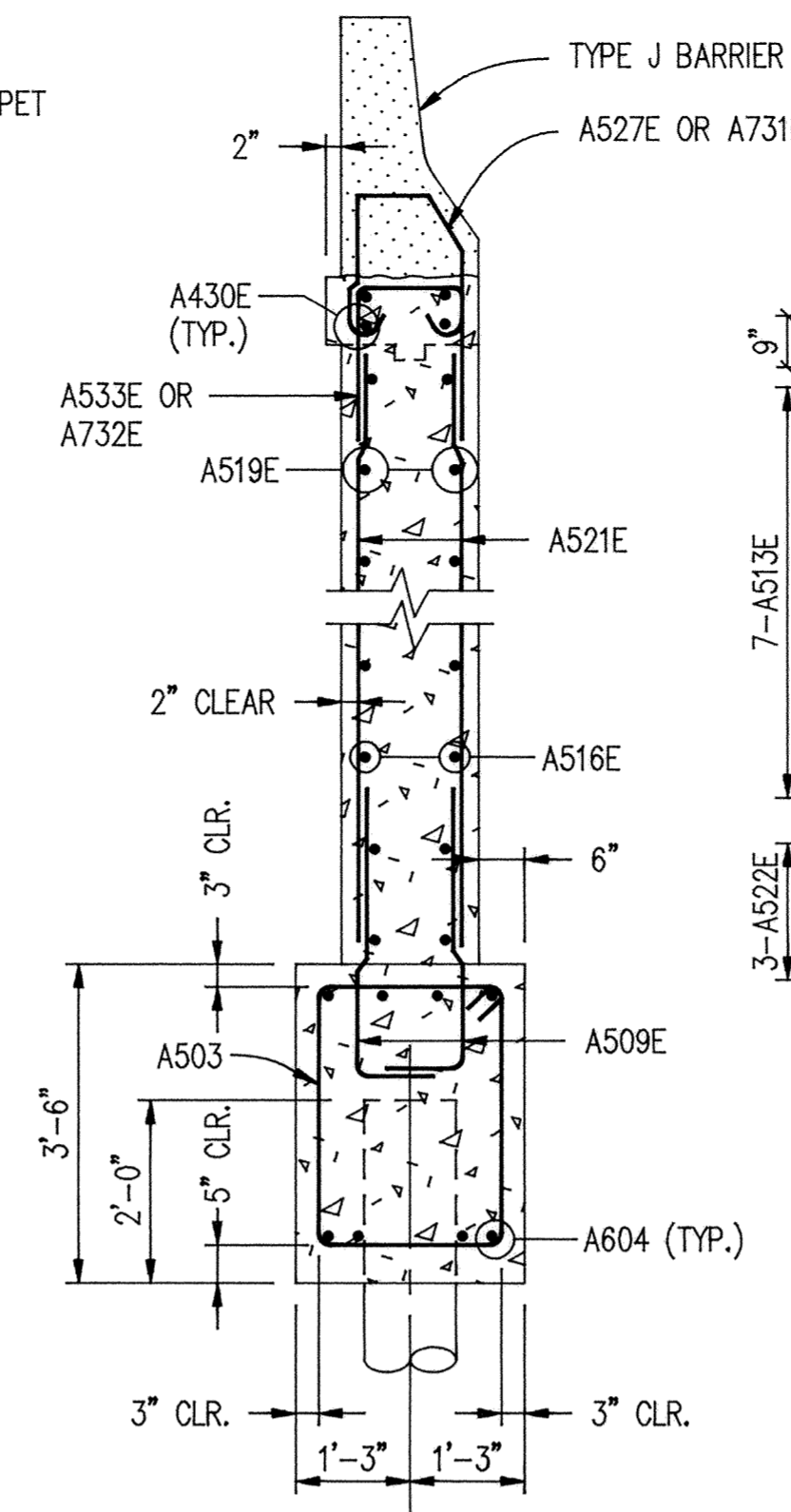


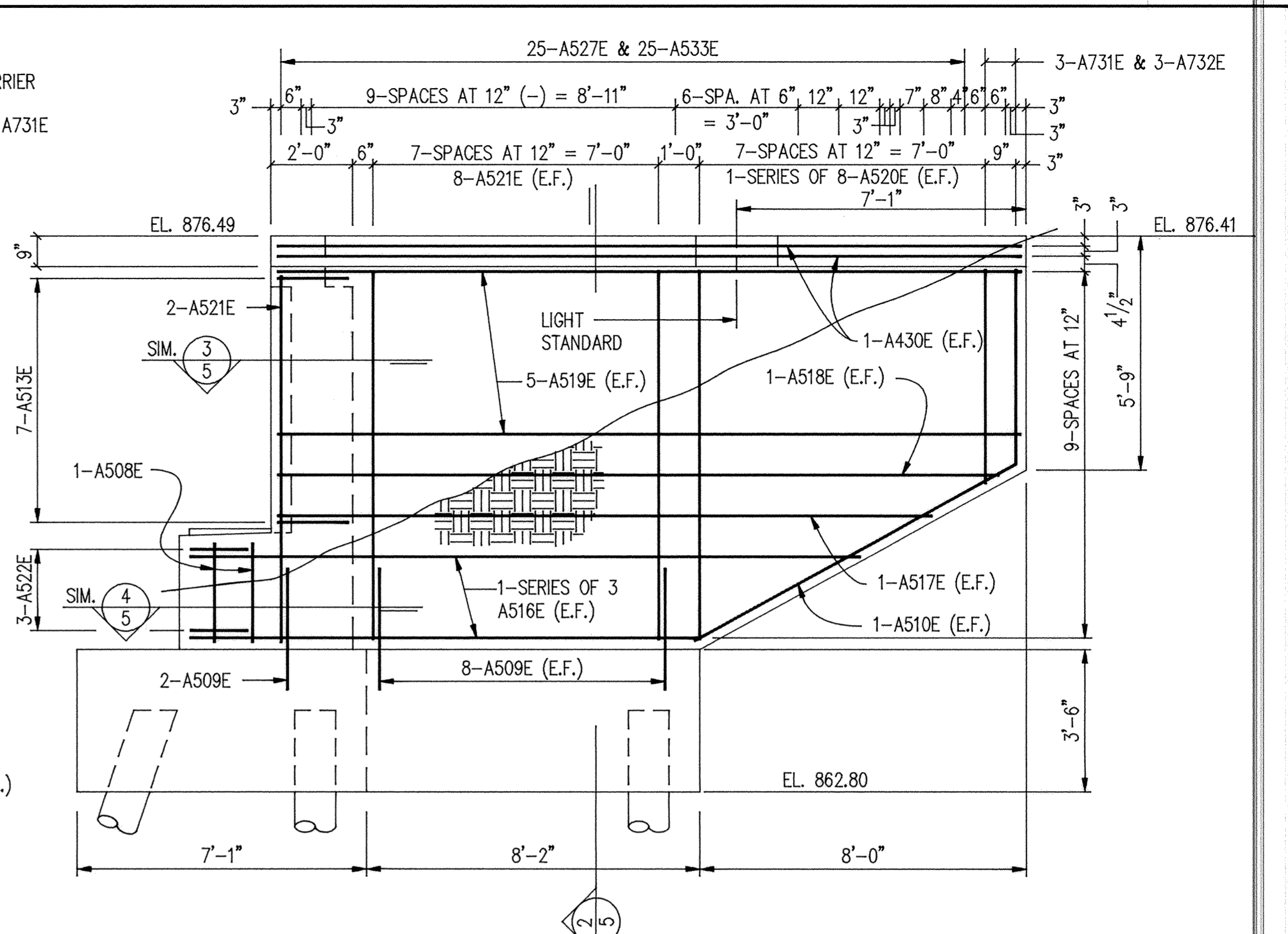
N.W. WING WALL ELEVATION



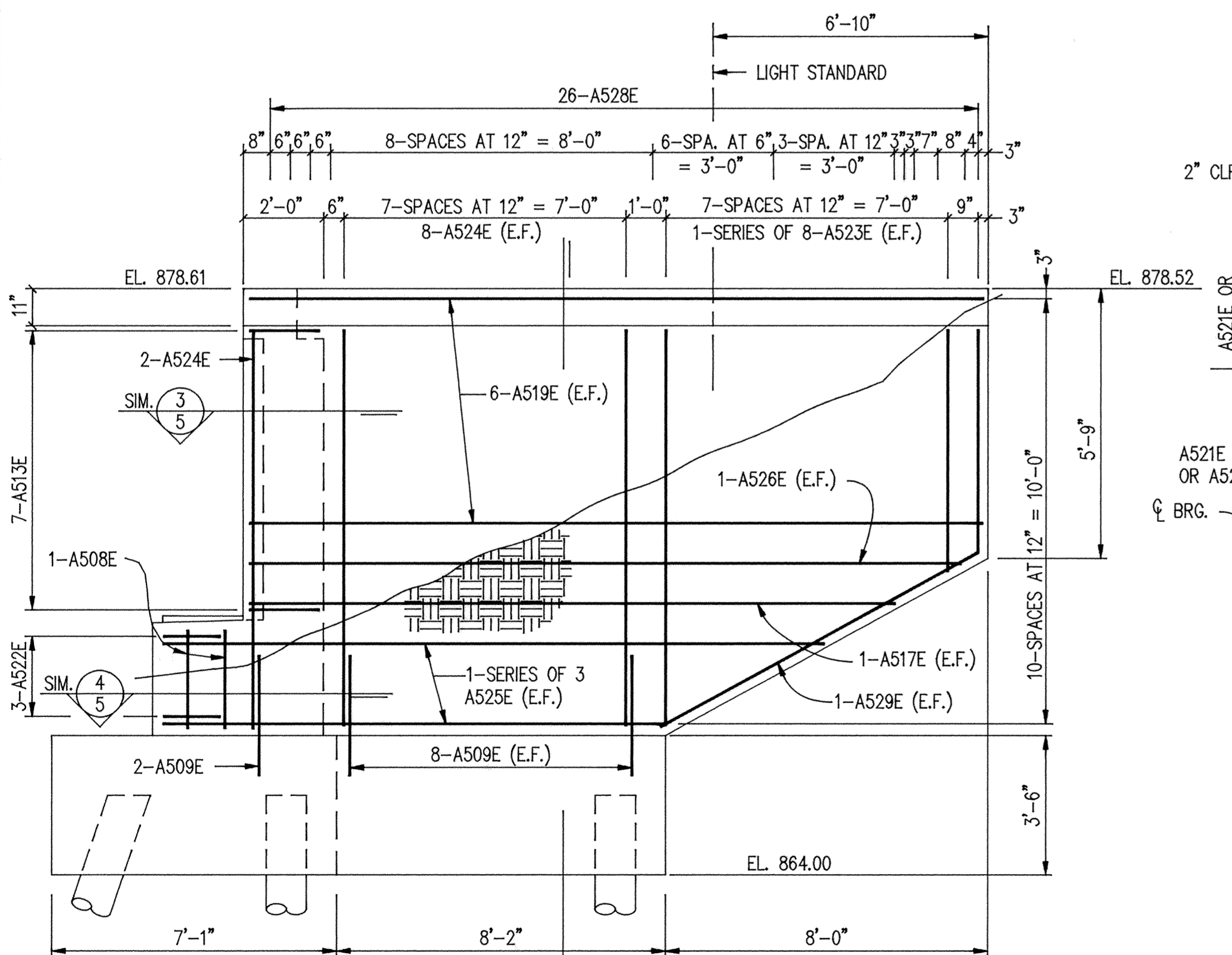
1/5 SECTION



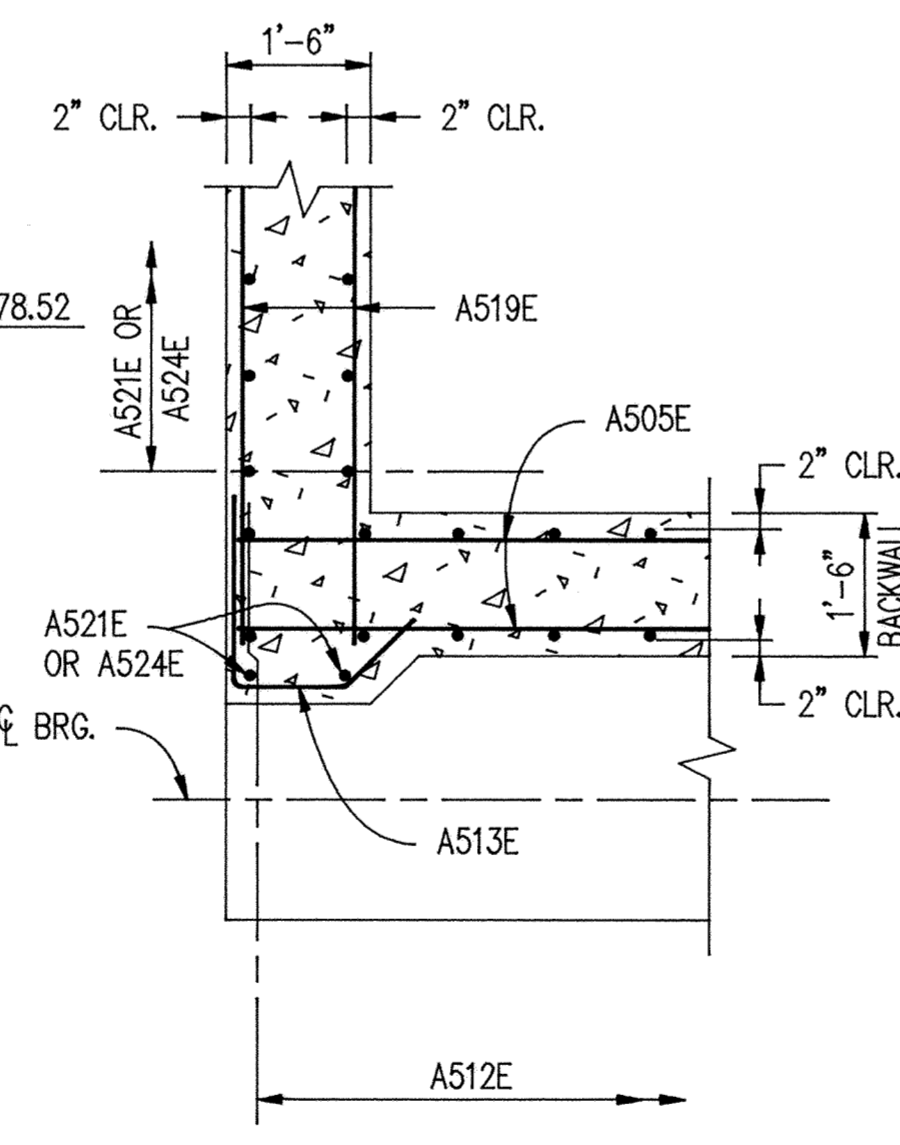
2/5 SECTION



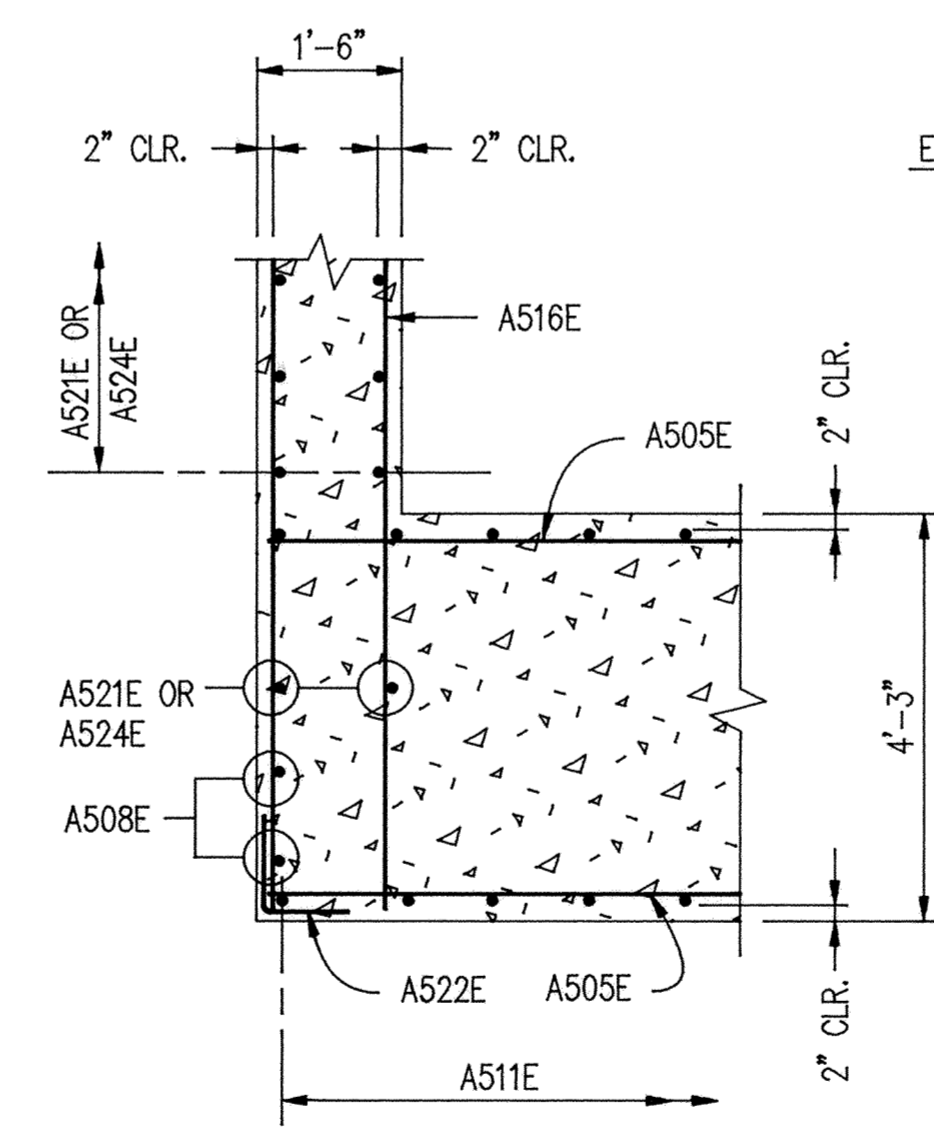
N.E. WING WALL ELEVATION



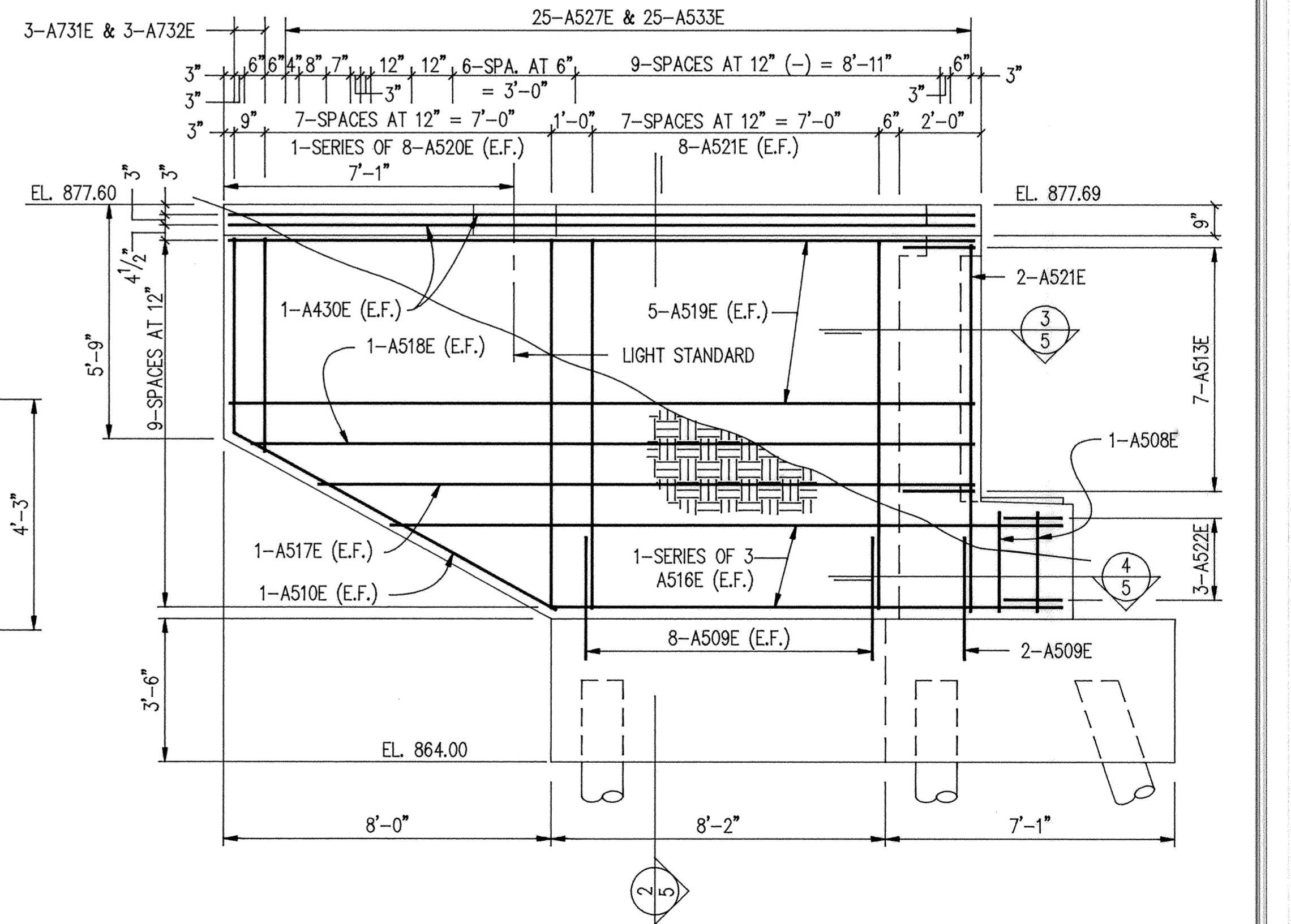
S.W. WING WALL ELEVATION



3/5 SECTION



4/5 SECTION



S.E. WING WALL ELEVATION

Larson
ENGINEERING OF MINNESOTA
3524 LABORE ROAD
WHITE BEAR LAKE, MN. 55110
612-481-9120

S.P. 204-113-03

ABUTMENT DETAILS

DES : DRM	DR : GLA	APPROVED :	Bridge No. 71517
CHK : RLD	CHK : RLD	7-2-92	

Sheet No. 5 of 24 Sheets

RECORD PLAN OCT. 1993