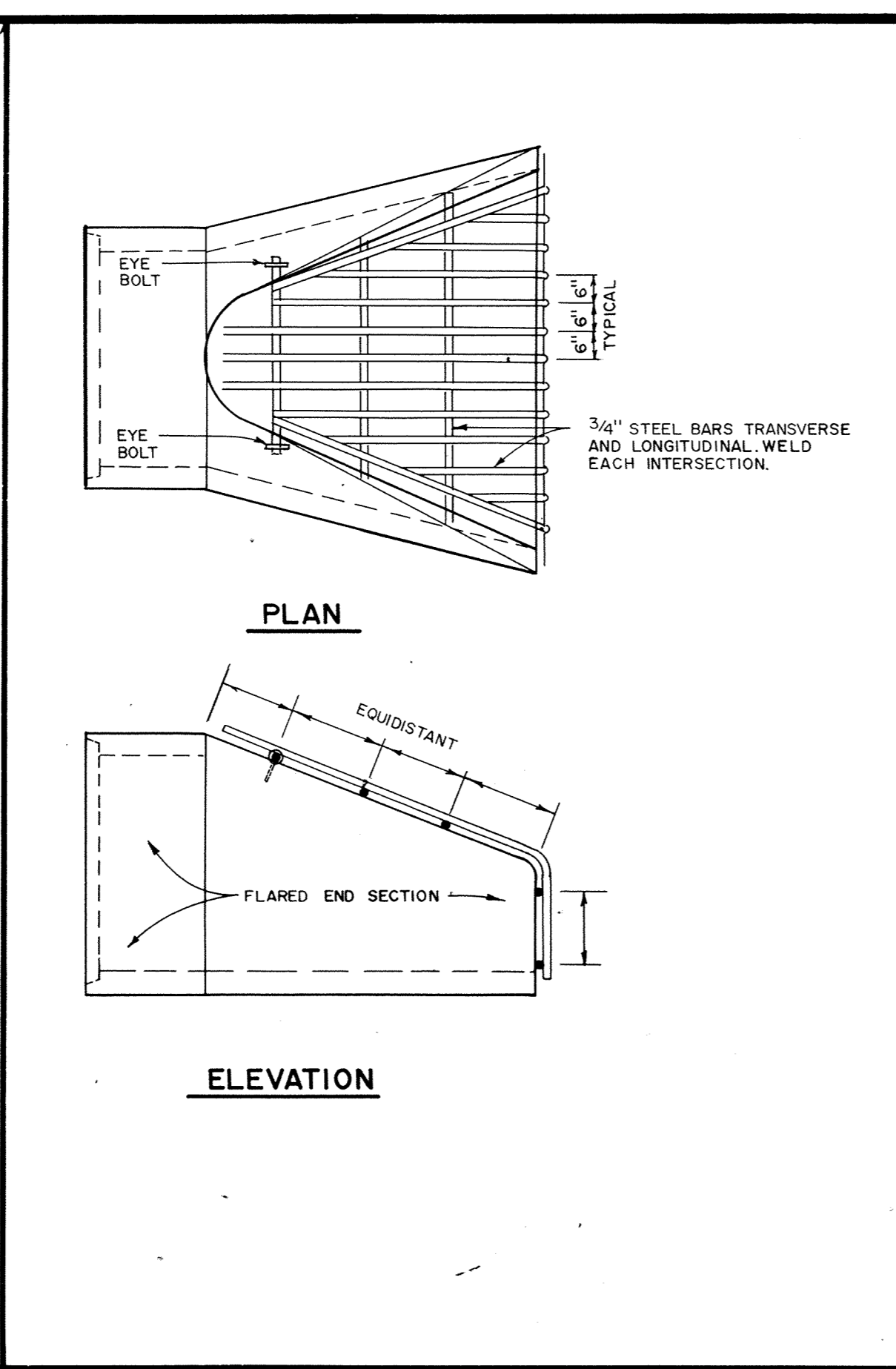
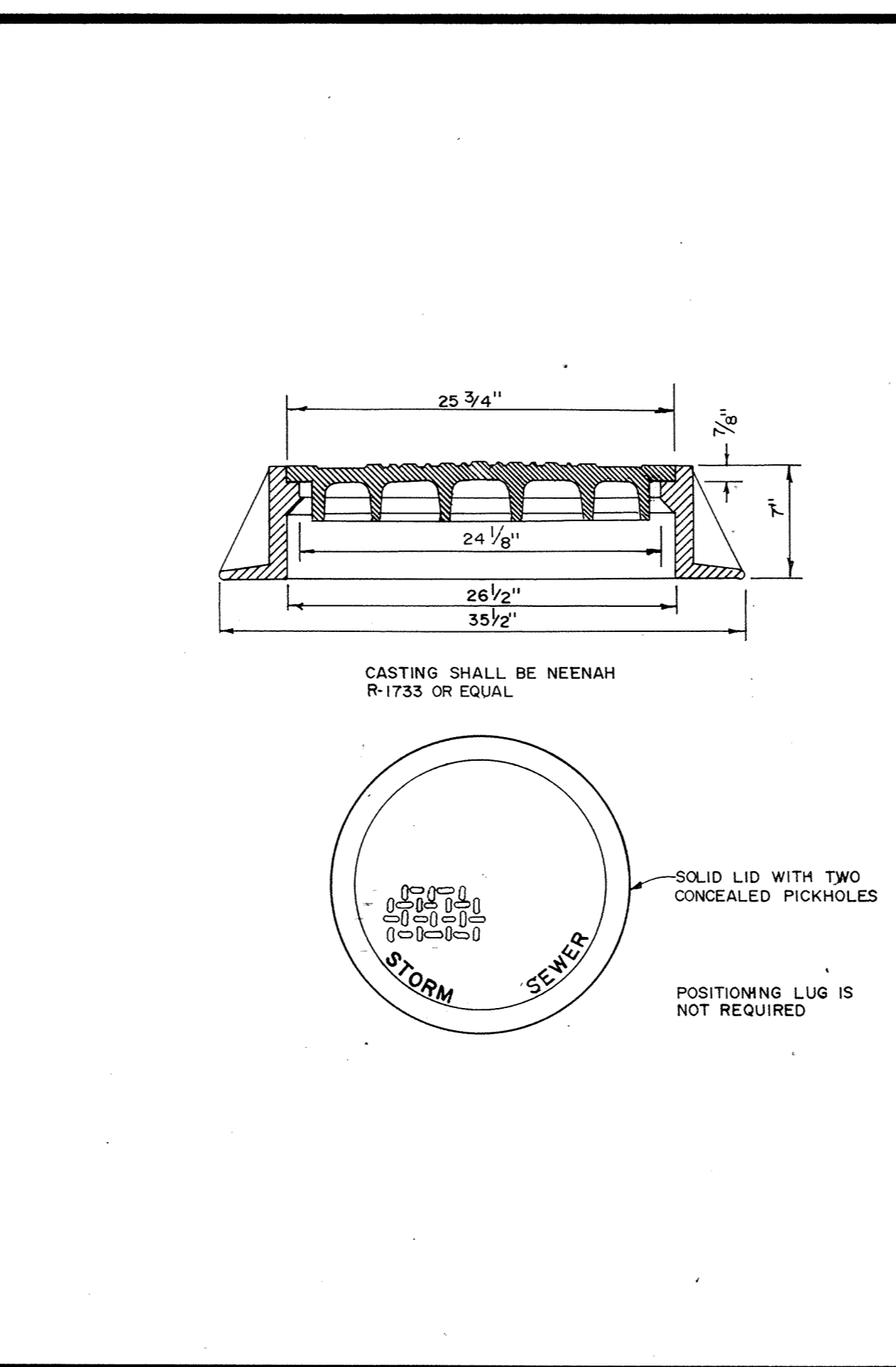


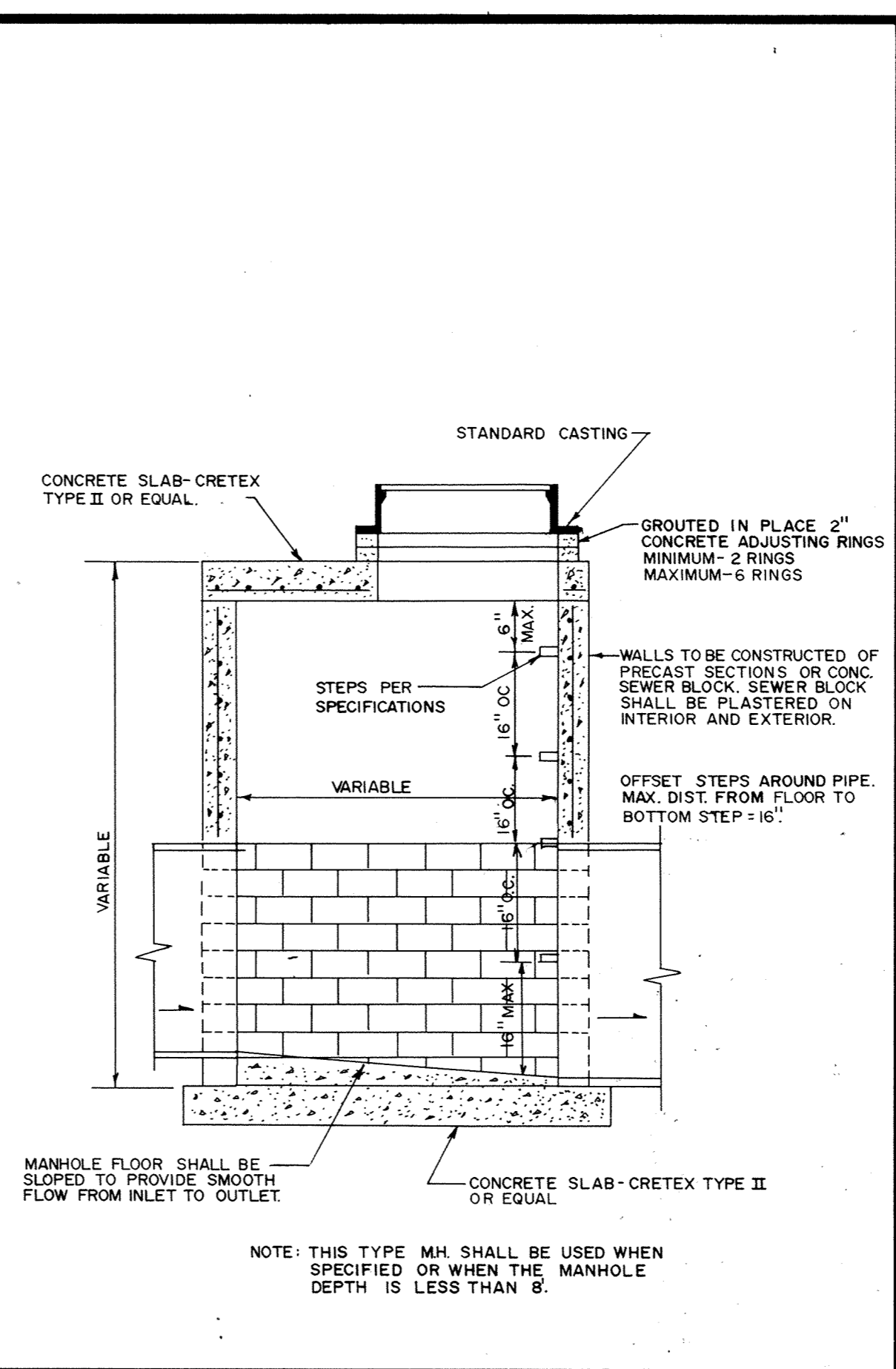
RIP-RAP INSTALLATION



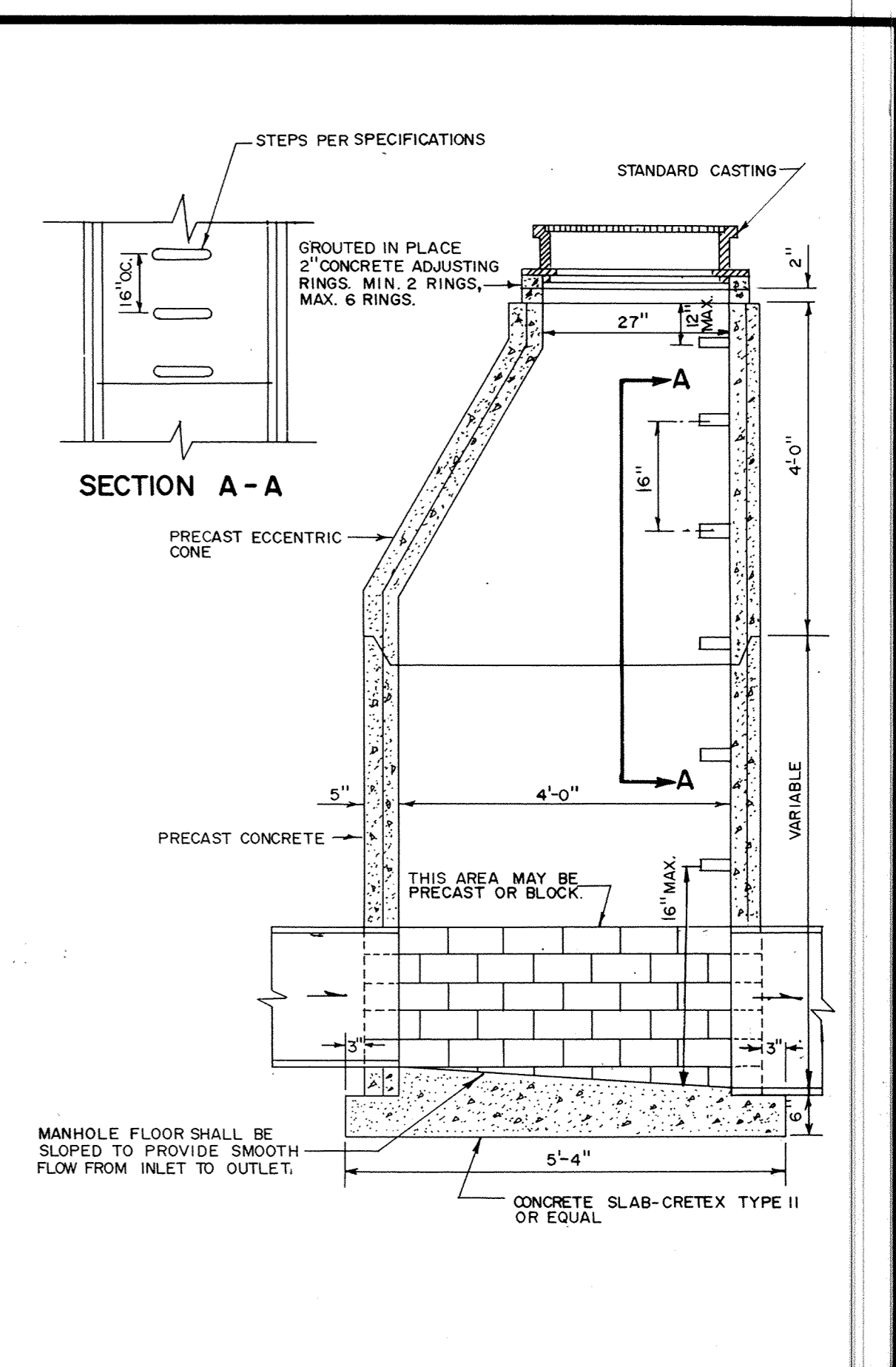
TRASH GUARD



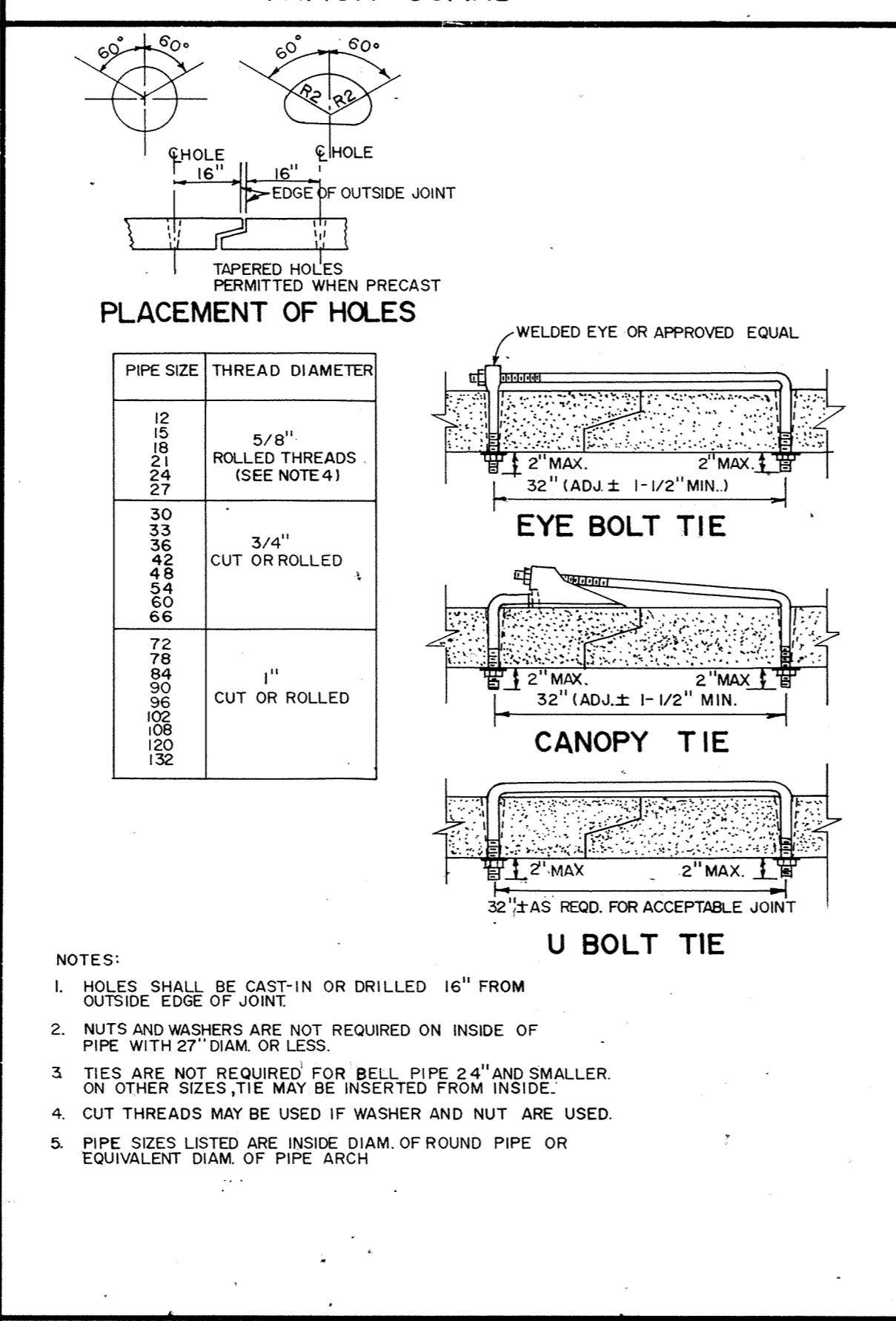
STANDARD MANHOLE CASTING



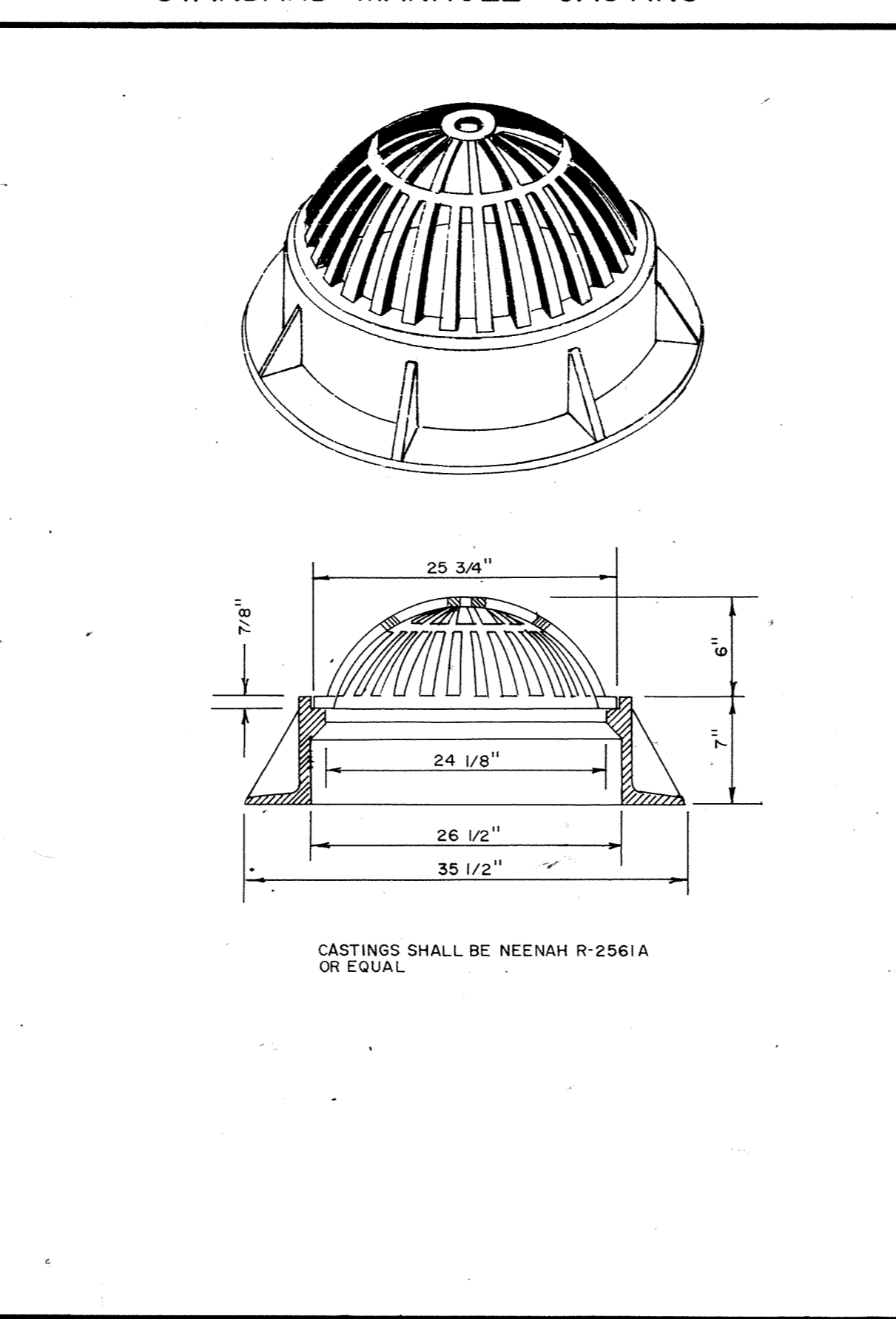
SLAB-TOP MANHOLE



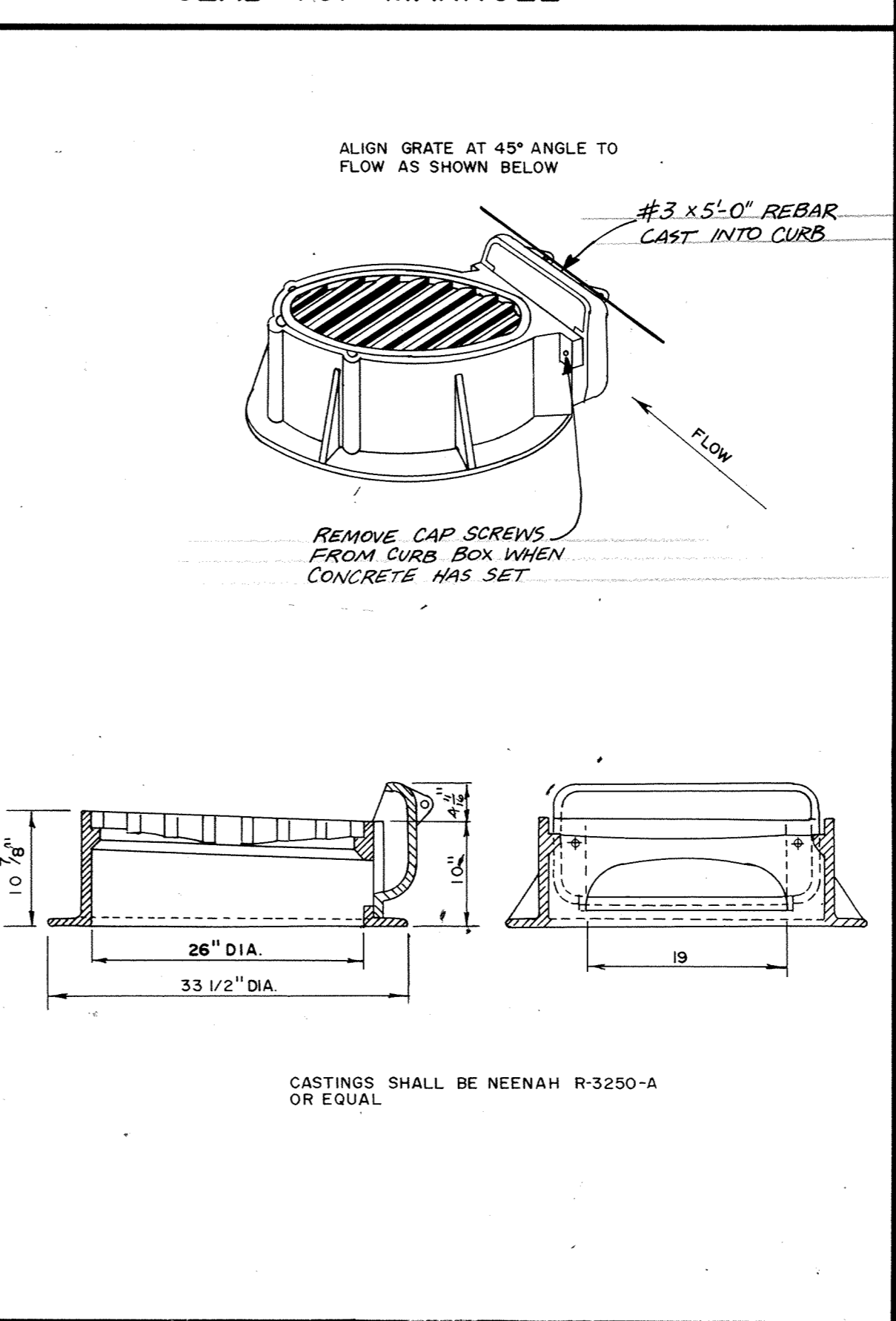
STANDARD MANHOLE



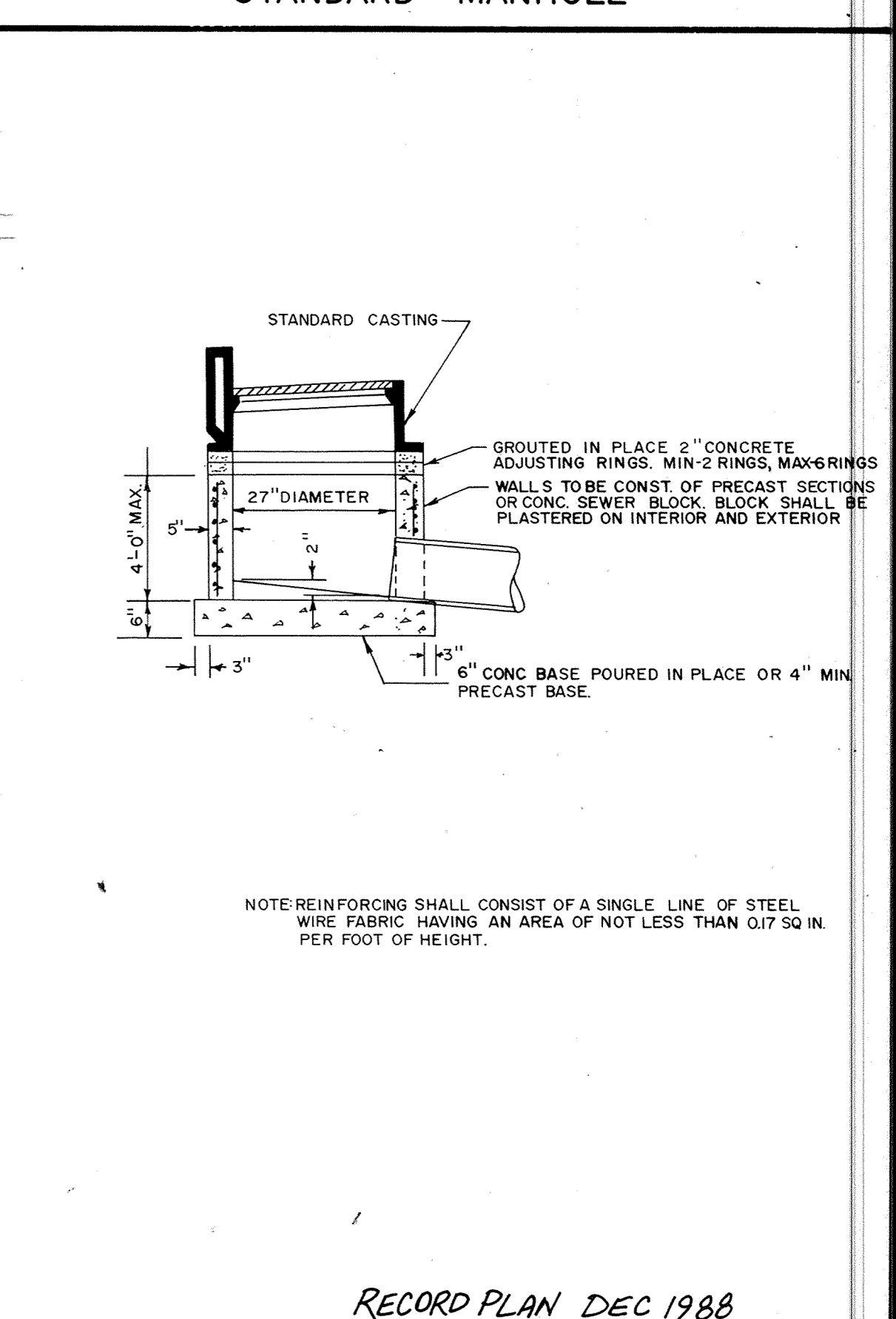
CONCRETE PIPE JOINT TIES



BEEHIVE CASTING



STANDARD INLET CASTING



SHALLOW CATCH BASIN

MS&A CONSULTING ENGINEERS
Maier Stewart & Associates Inc.
 1959 SLOAN PLACE (612) 774-6021 ST. PAUL, MINNESOTA 55117

DATE	DESCRIPTION	DESIGNED	CHECKED	DRAWN
				MRJ

GRAPHIC SCALE
 0 HORIZ. NONE
 0 VERT.

CITY OF ELK RIVER
 STORM SEWER DETAILS
 DATE NOV 1987 SHEET 41 OF 42 SHEETS PROJECT NO. 230-04

DRAWING NUMBER MAINS.87 41