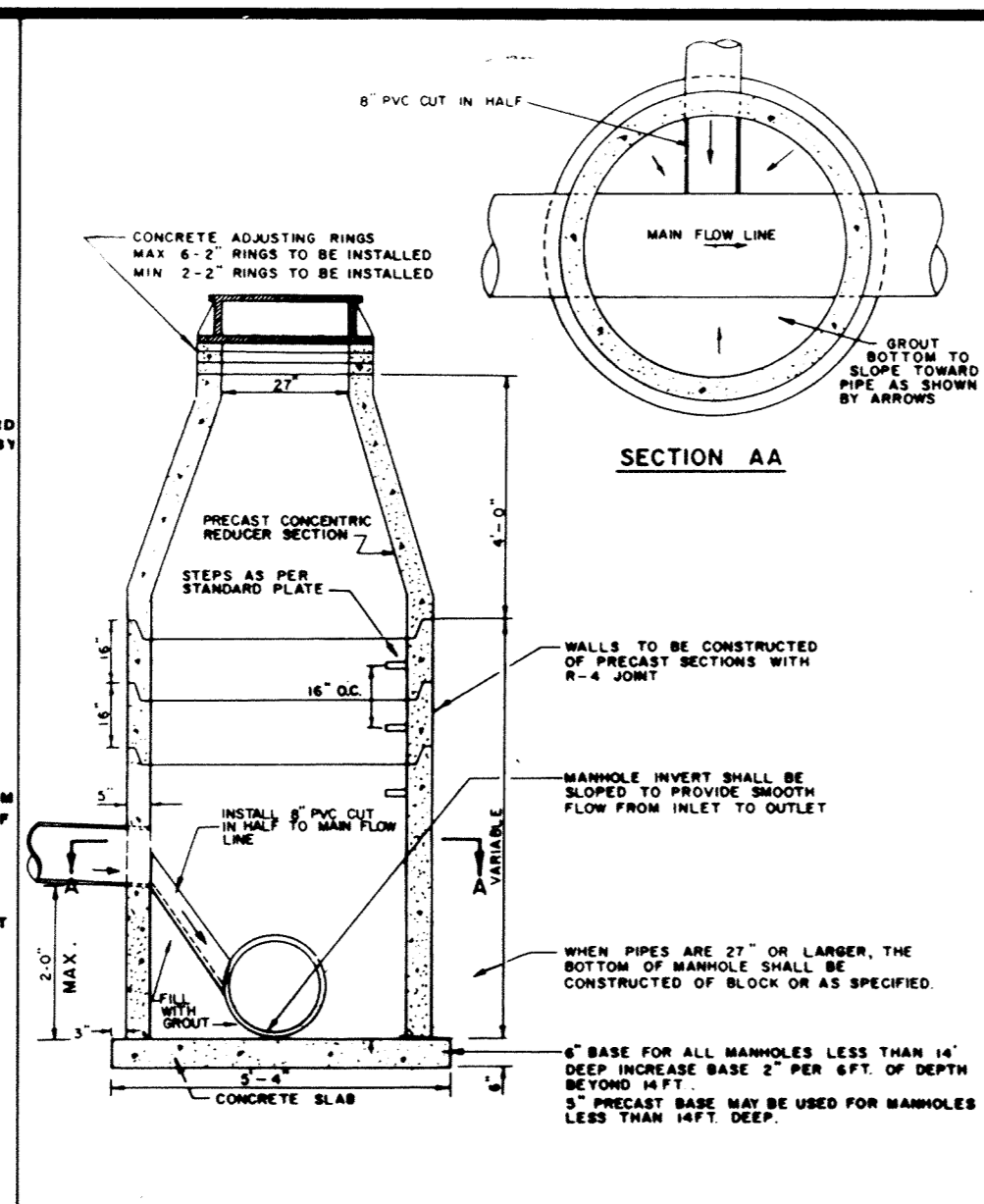
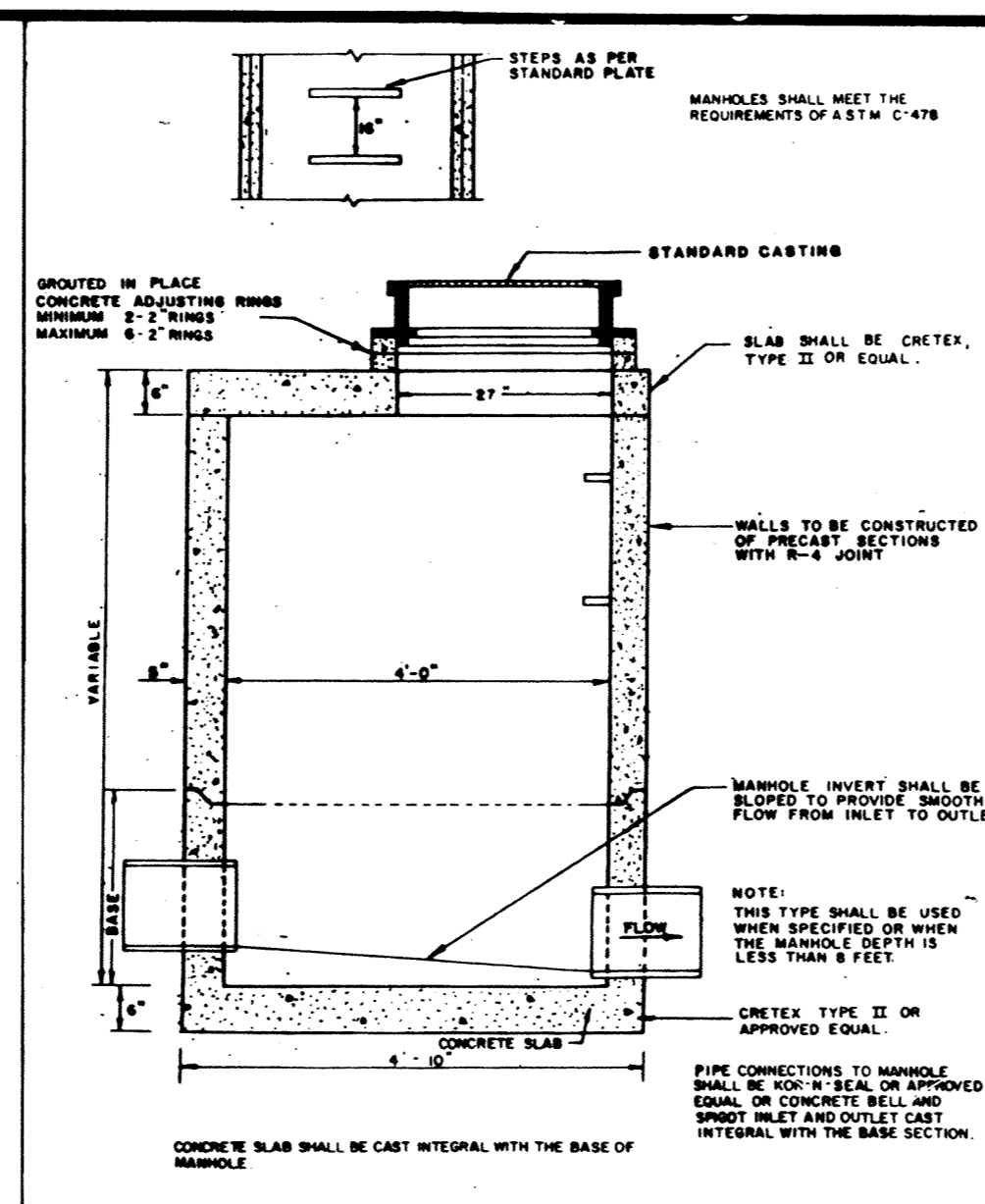


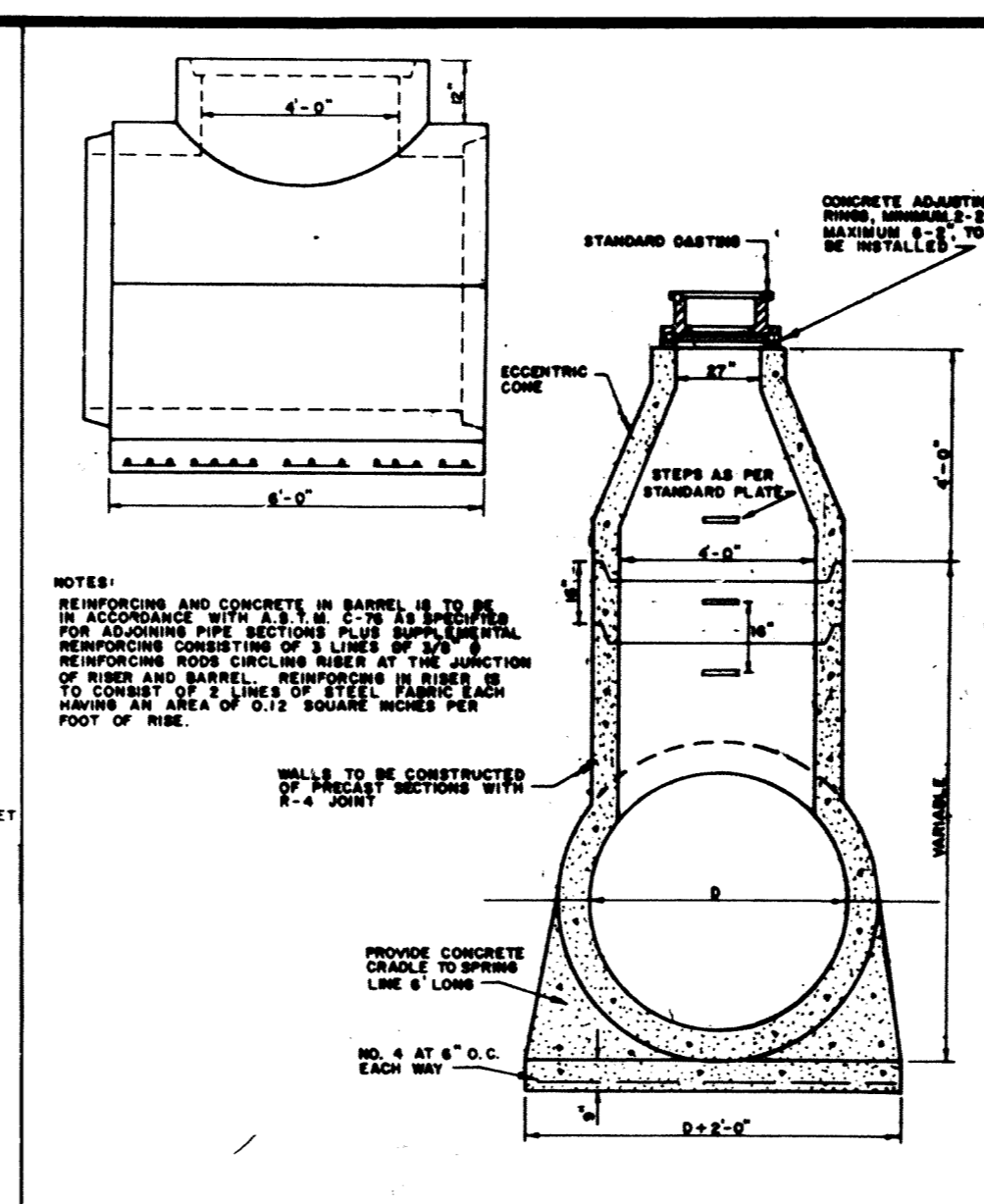
Standard Manhole



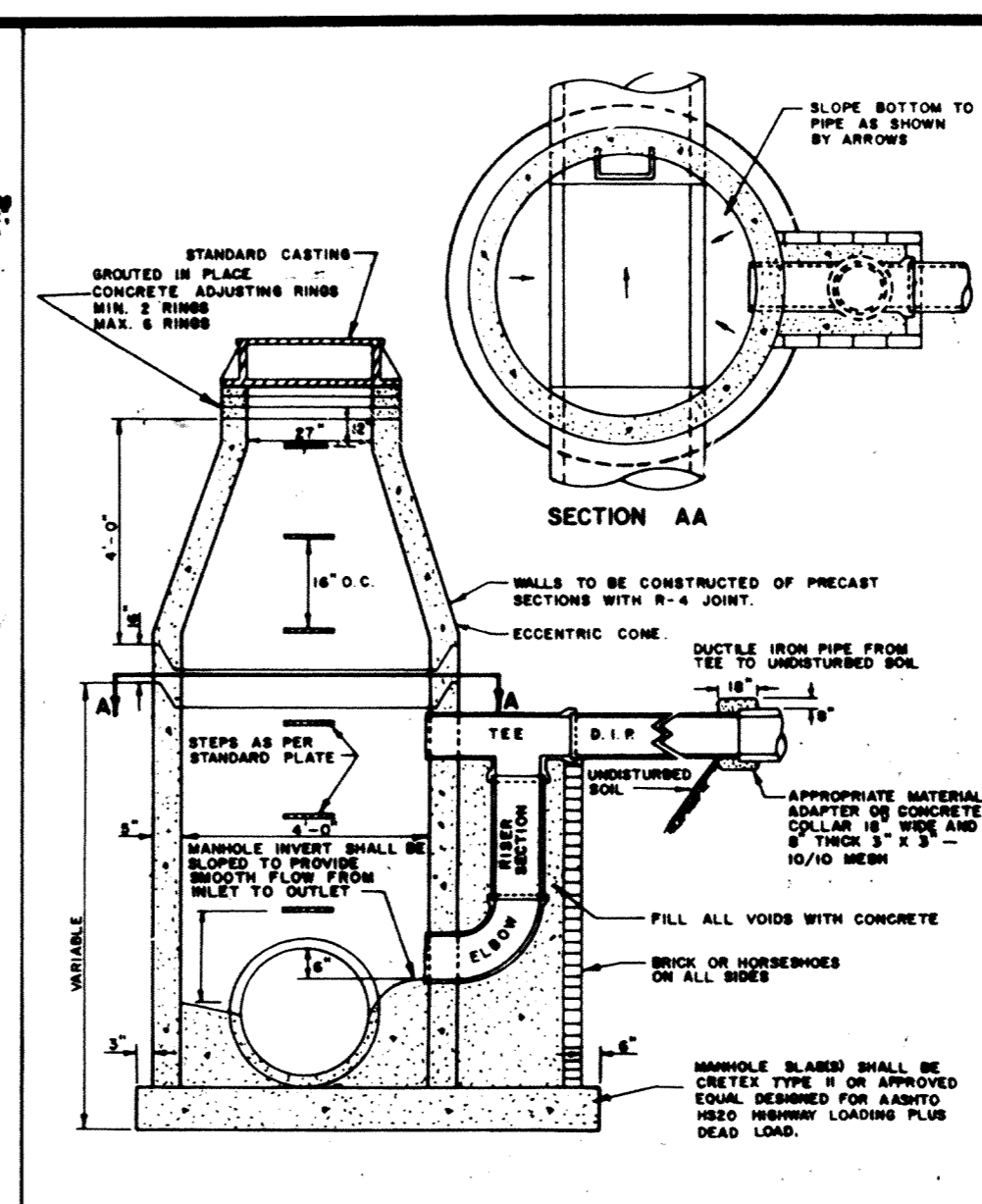
Inside Drop Manhole



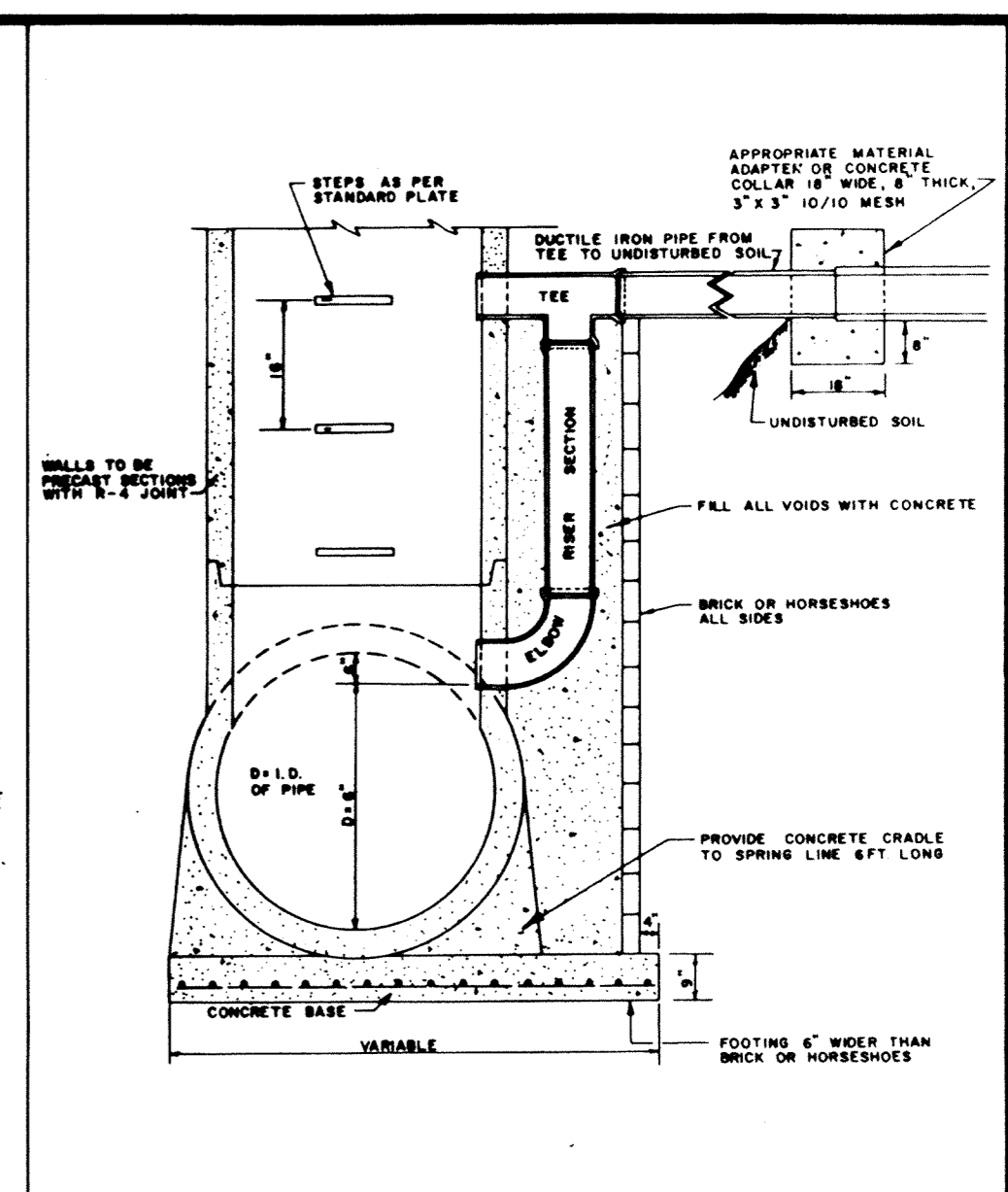
Slab-Top Manhole



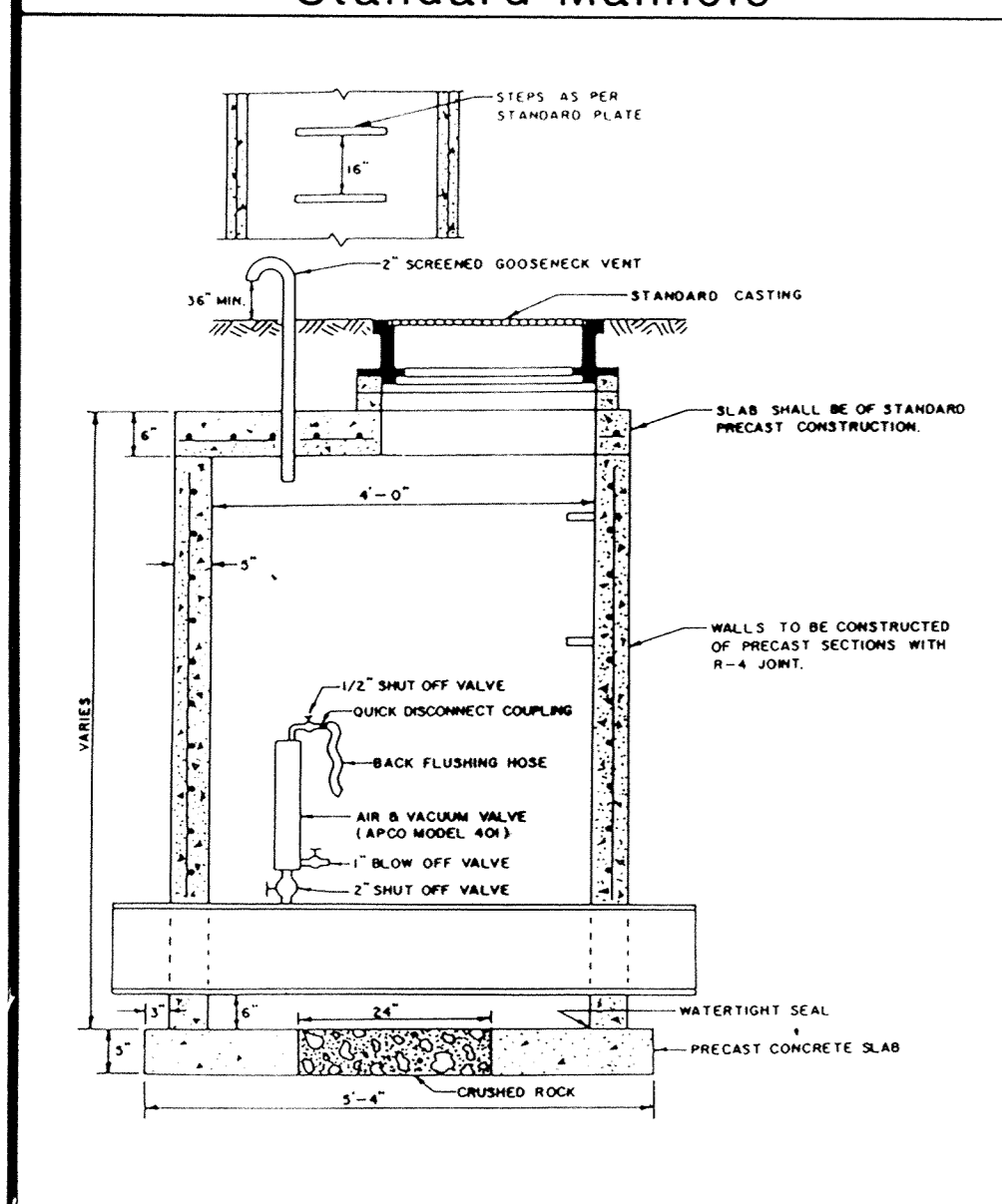
T-Section Manhole



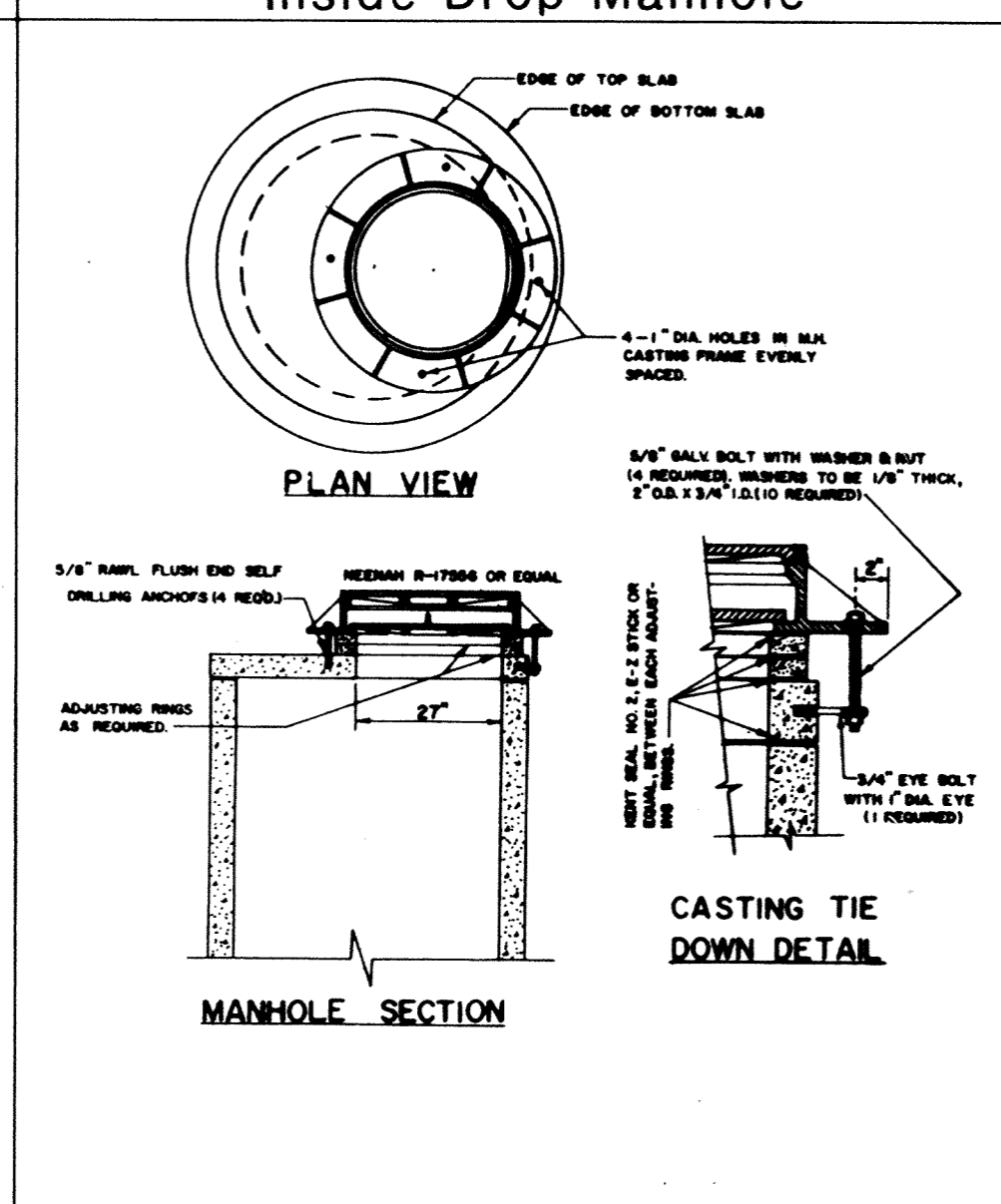
Standard Drop Manhole



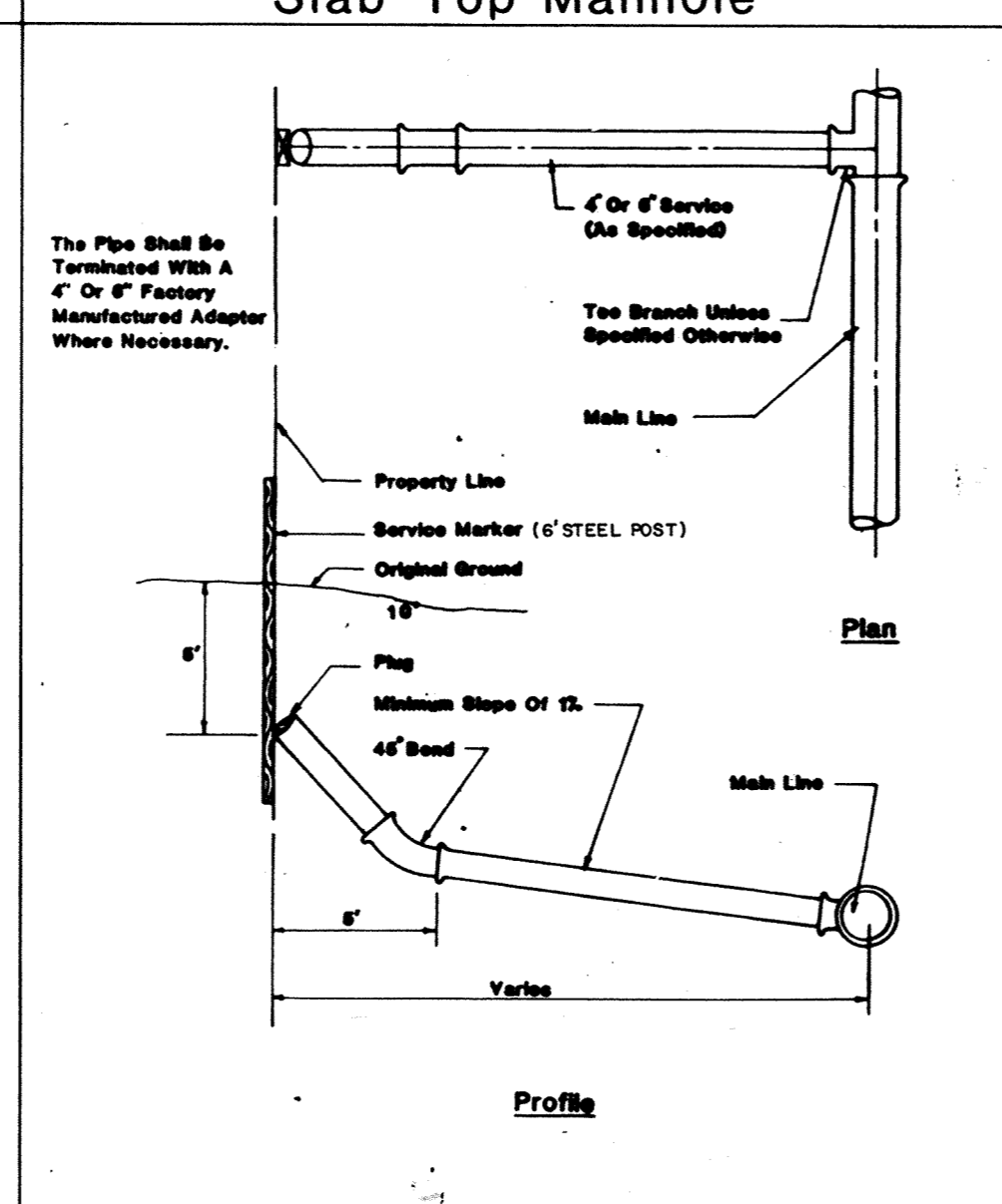
T-Section Drop Manhole



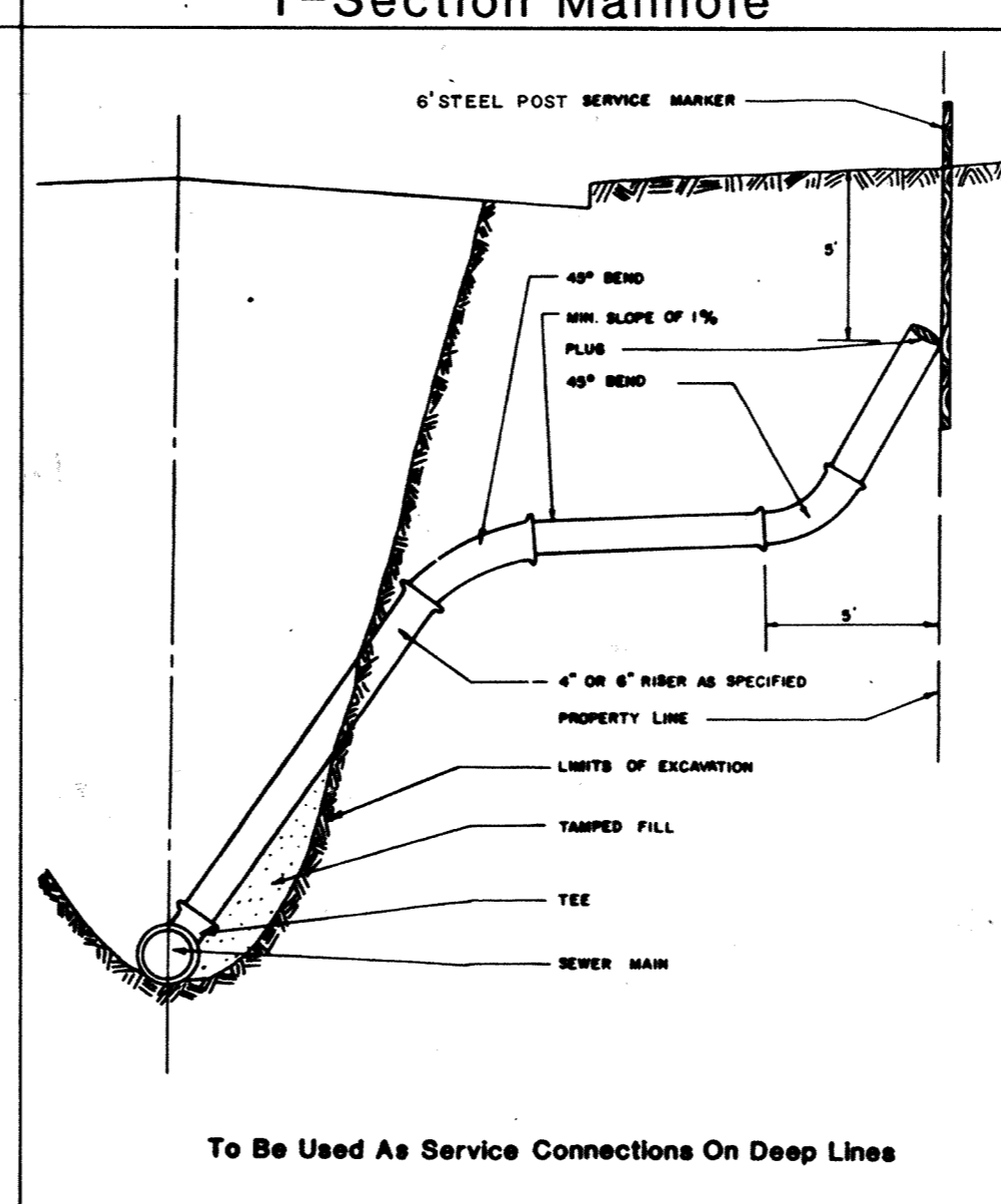
Air Relief Manhole (FORCEMAIN)



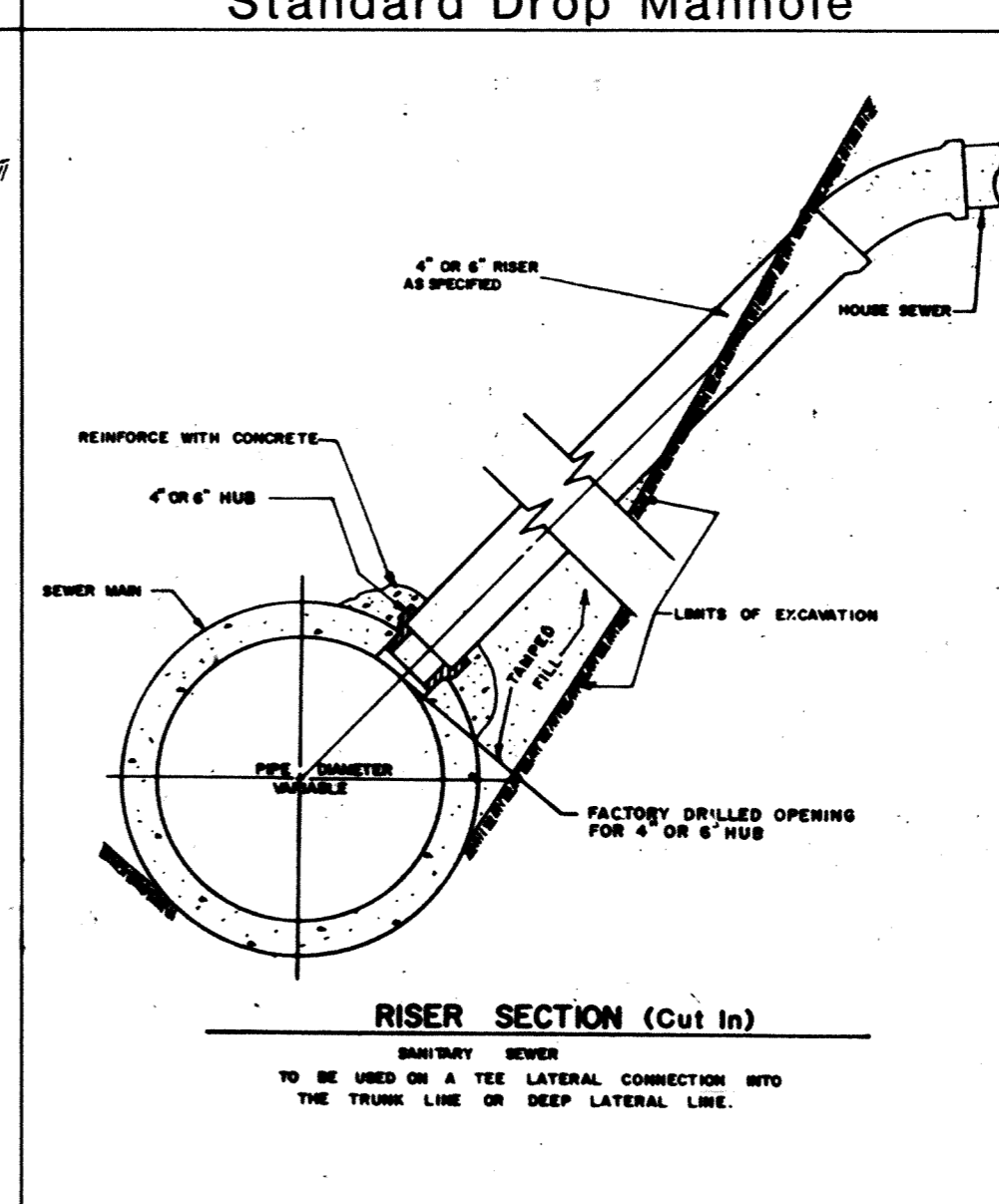
Watertight Casting For Slab M.H.



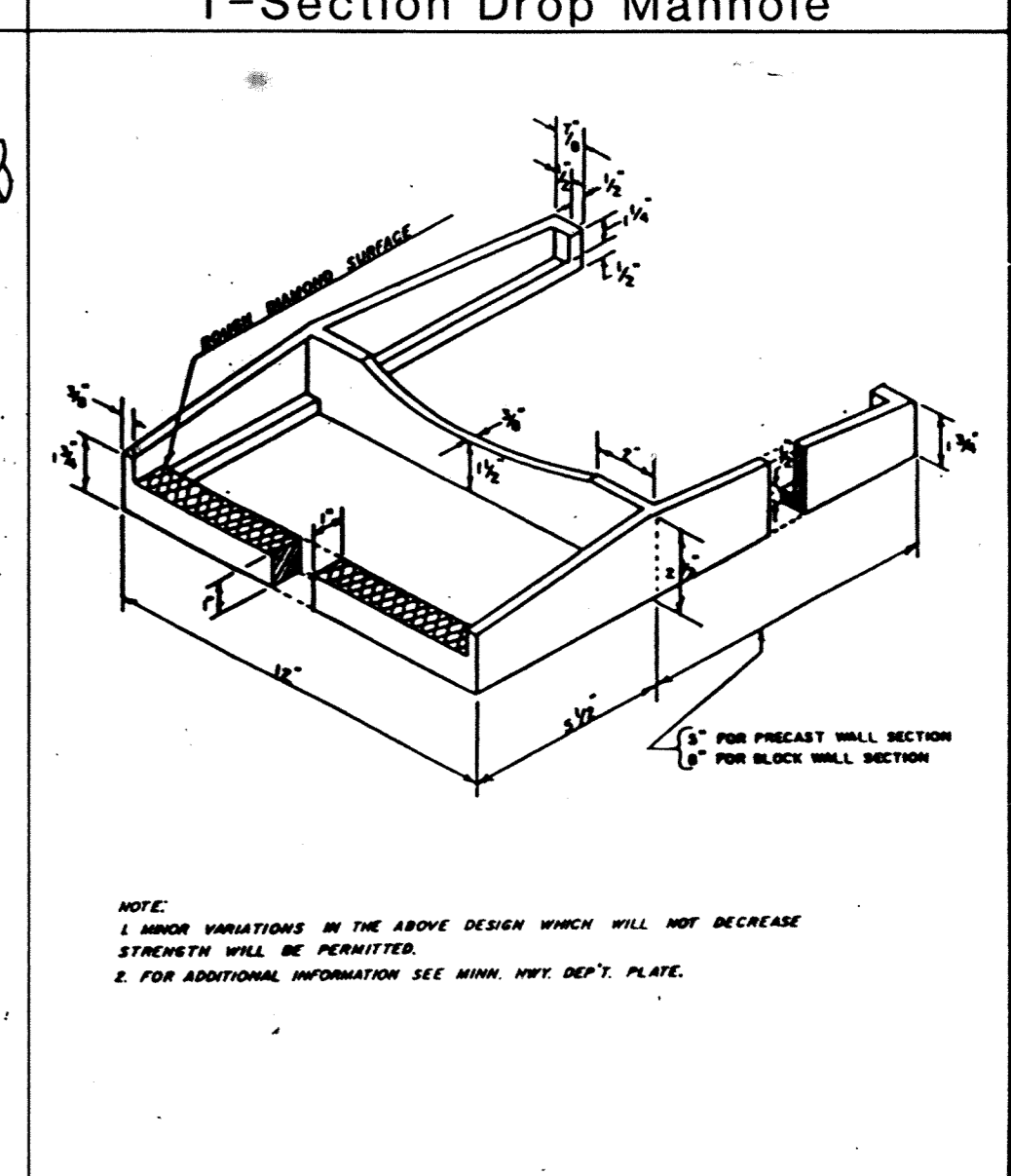
Typical House Service



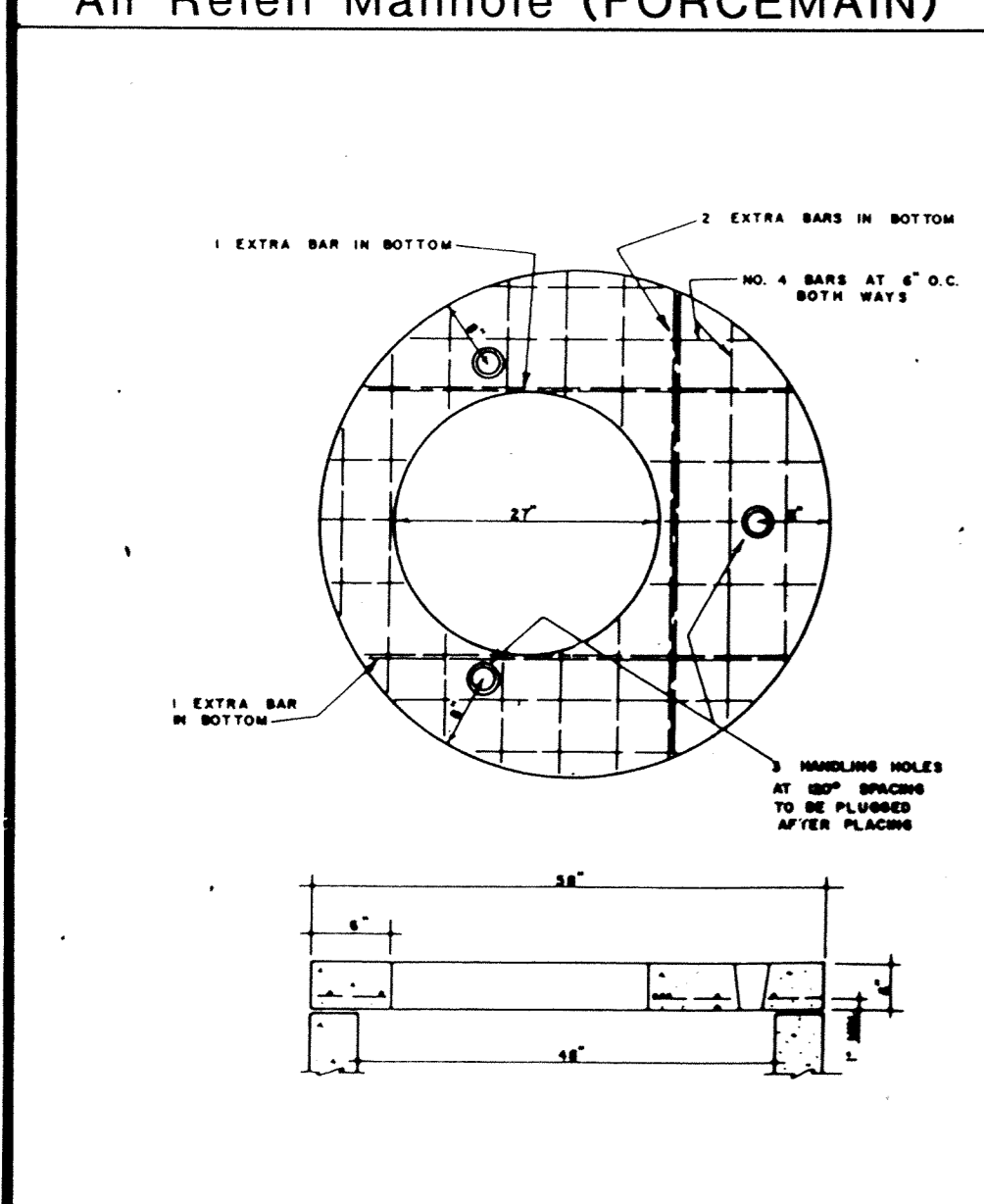
Service Riser Section



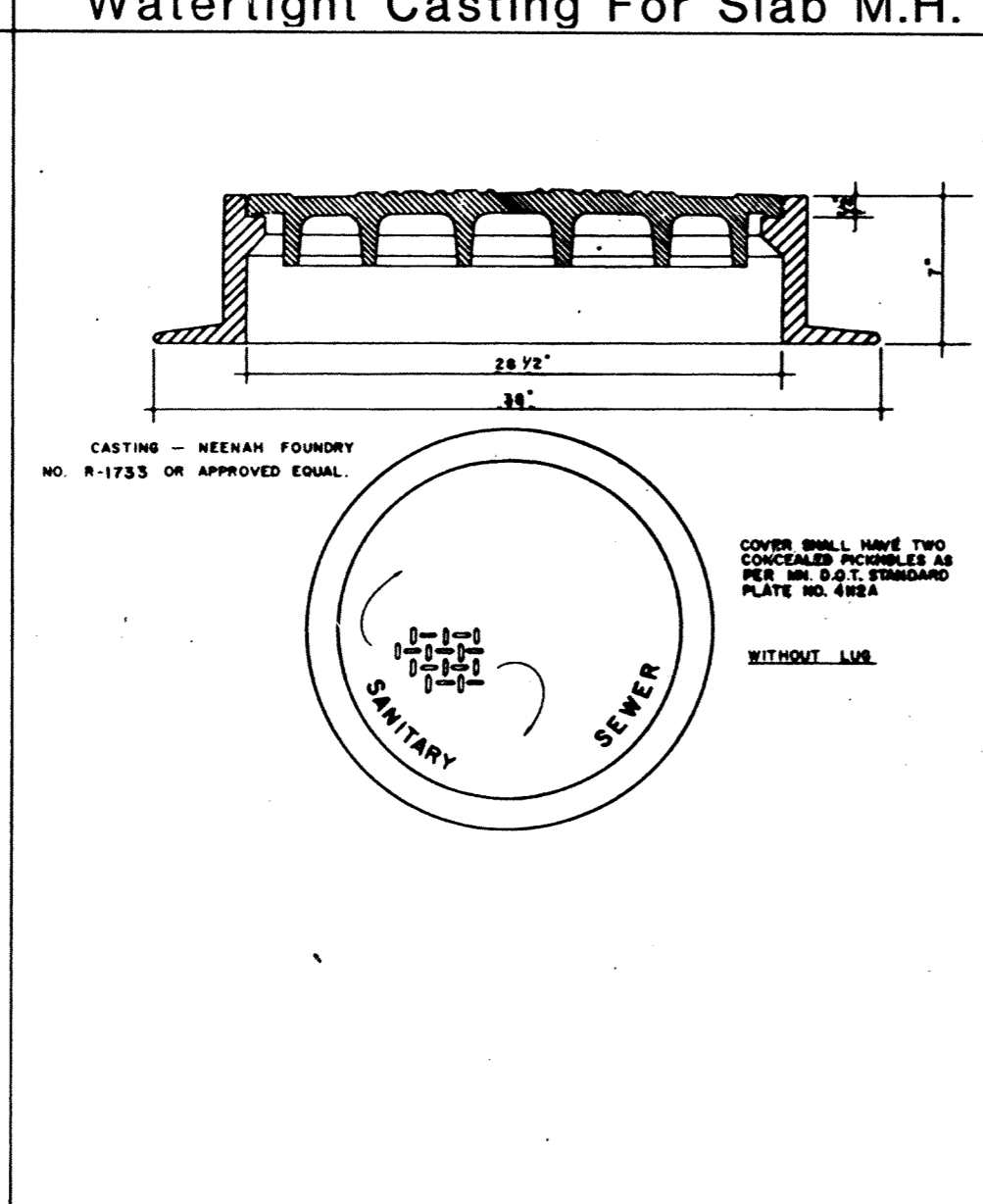
Service Riser (Large Dia. Pipe)



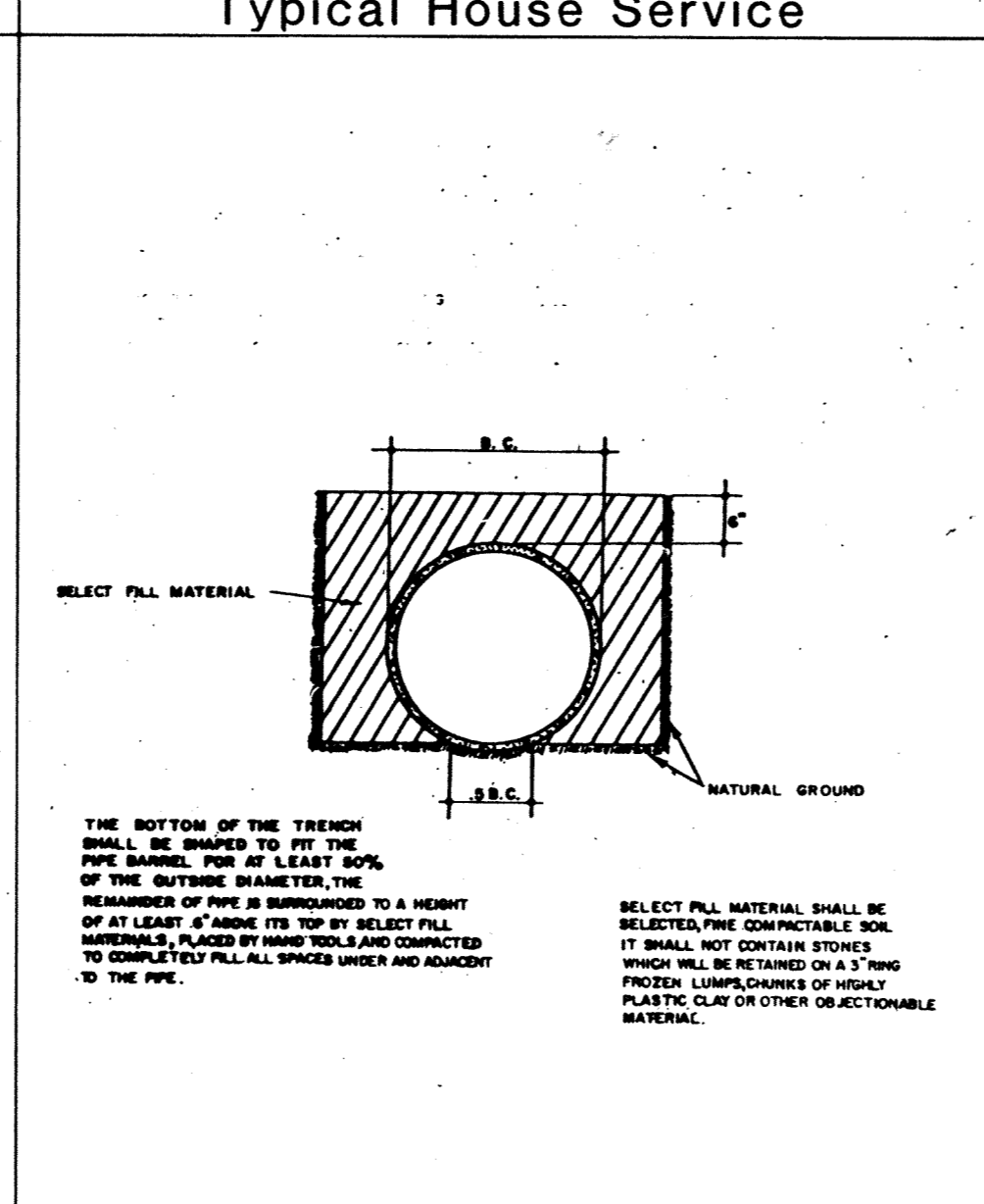
Cast Iron Or Aluminum Step



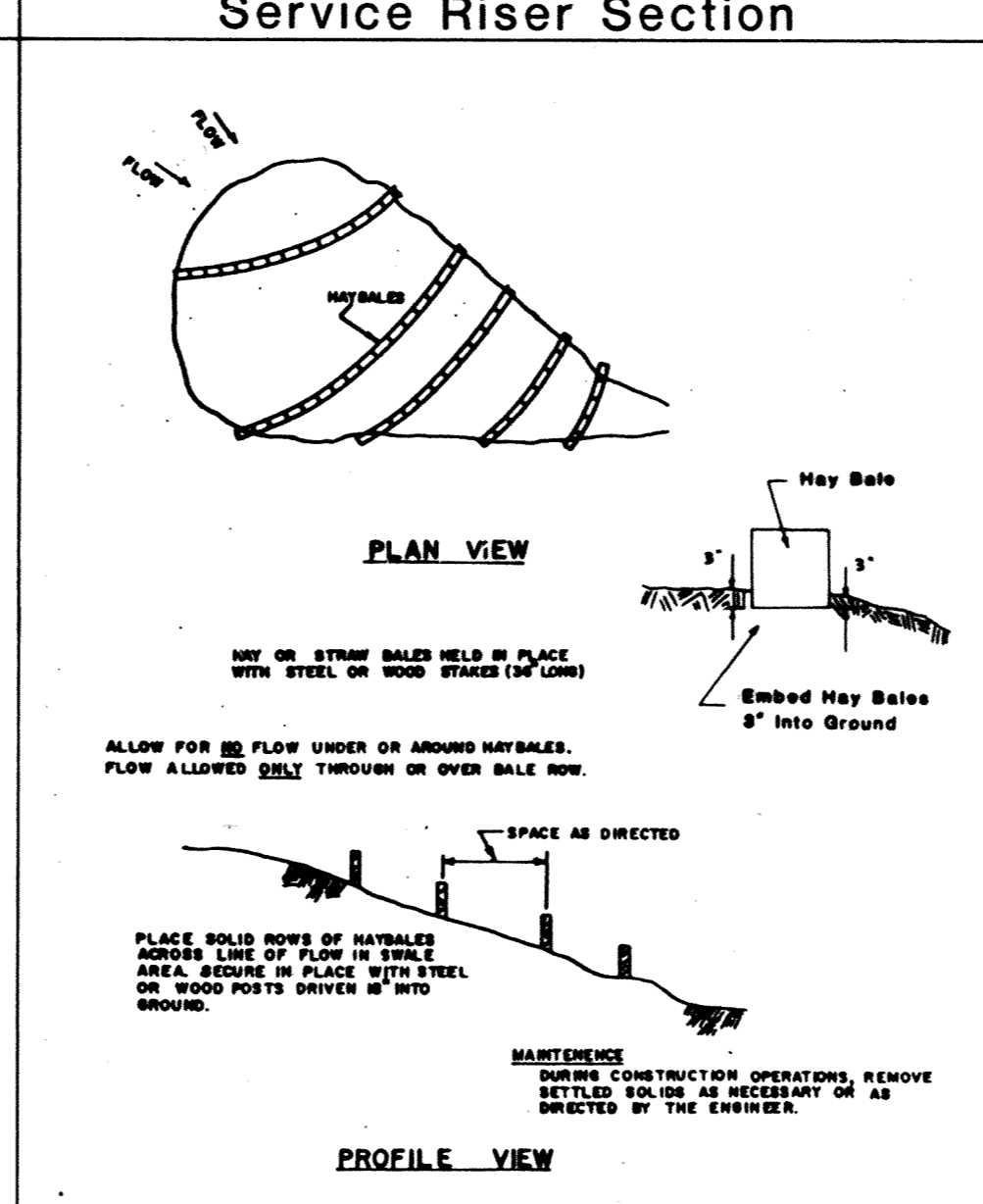
Slab Top M.H. (Circular Opening)



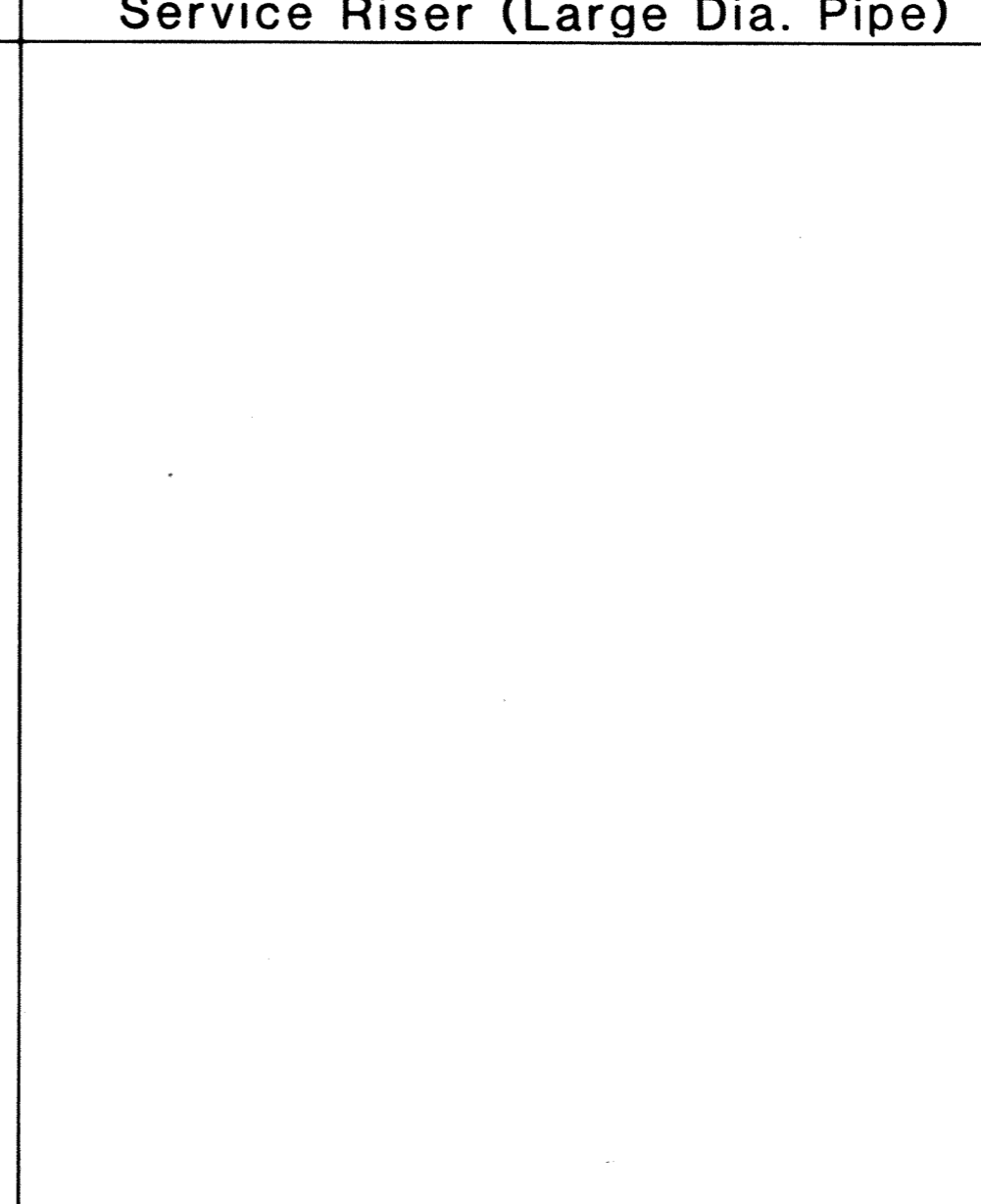
Cover-Neenah Foundry R-1733 Or Equal



Class C Pipe Bedding



Erosion Control Structure



AS-BUILT
 DRAWN BY: MRK Date 2-4-85
 CHECKED BY: JLM
 INSPECTOR: JCH Date 2-11-85
 DESIGN ENGR: JCH Date
 PARTY CHIEF: JCH Date 2-11-85

SAP 204-113-01

I hereby certify that this plan, specification or report was prepared by me or under my direct supervision and that I am a duly Registered Professional Engineer under State of Minnesota Sections 126.02 to 126.16

Jerry J. Maurer
 Date 11/9/84 Minn. Reg. No. 15316

CITY OF ELK RIVER
 DETAIL PLATES
 SANITARY SEWER

DESIGNED BY: JLM
 CHECKED BY: JLM
 DRAWN BY: MRJ

REVISIONS:
 SCALE: NONE
 HORIZ: NONE
 VERT: NONE

DATE: FEB. 1983
 SHEET: 14 OF 14 SHEETS
 FILE NO: ER3402

DRAWING NUMBER MAINS 83