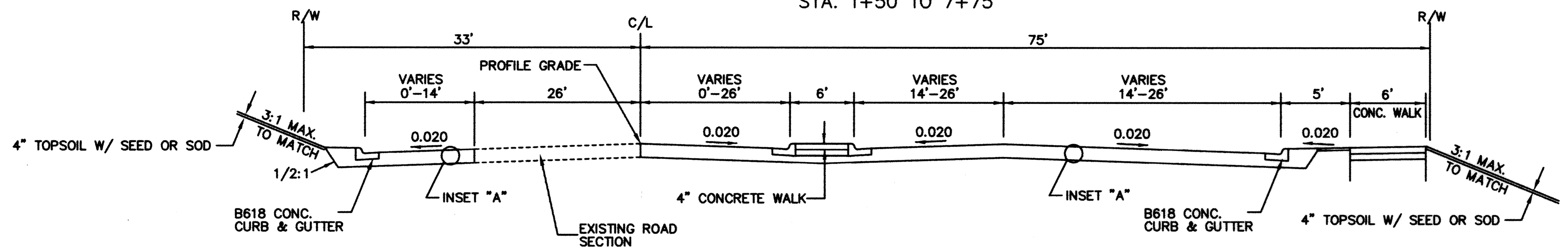
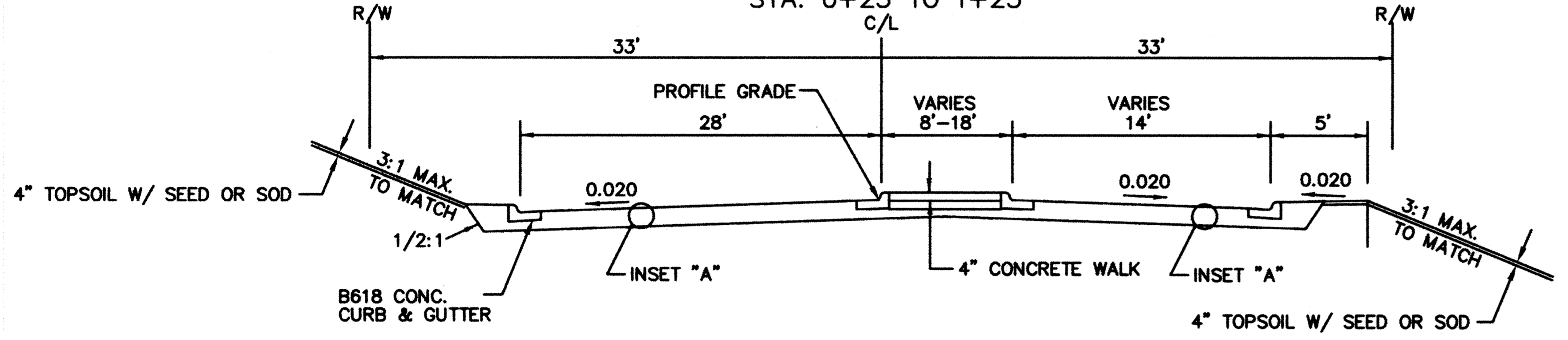


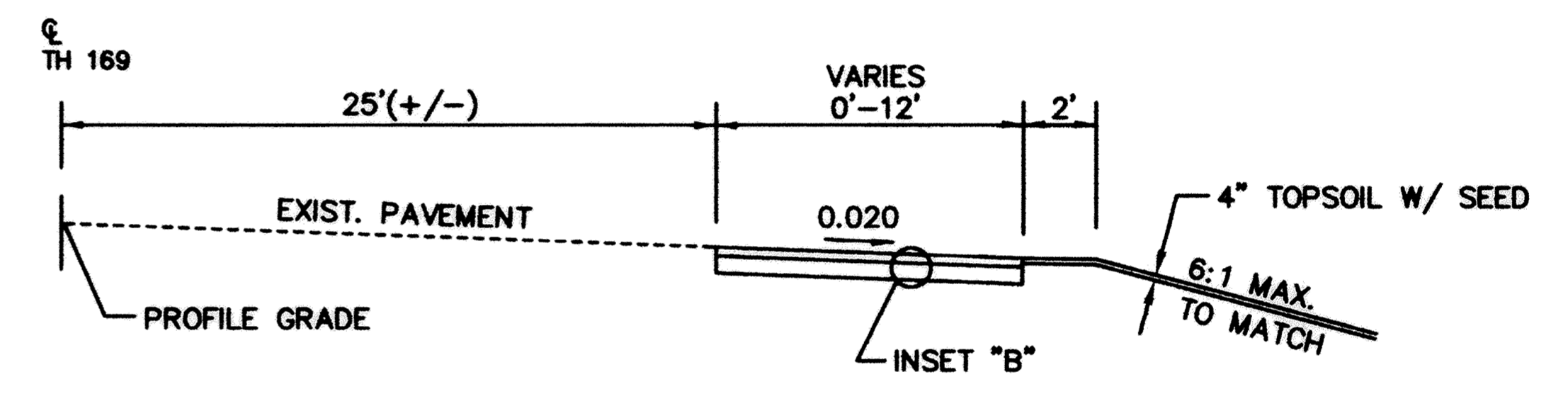
TYPICAL MAIN ST. SECTION
WITH LEFT & RIGHT TURN LANES
STA. 1+50 TO 7+75



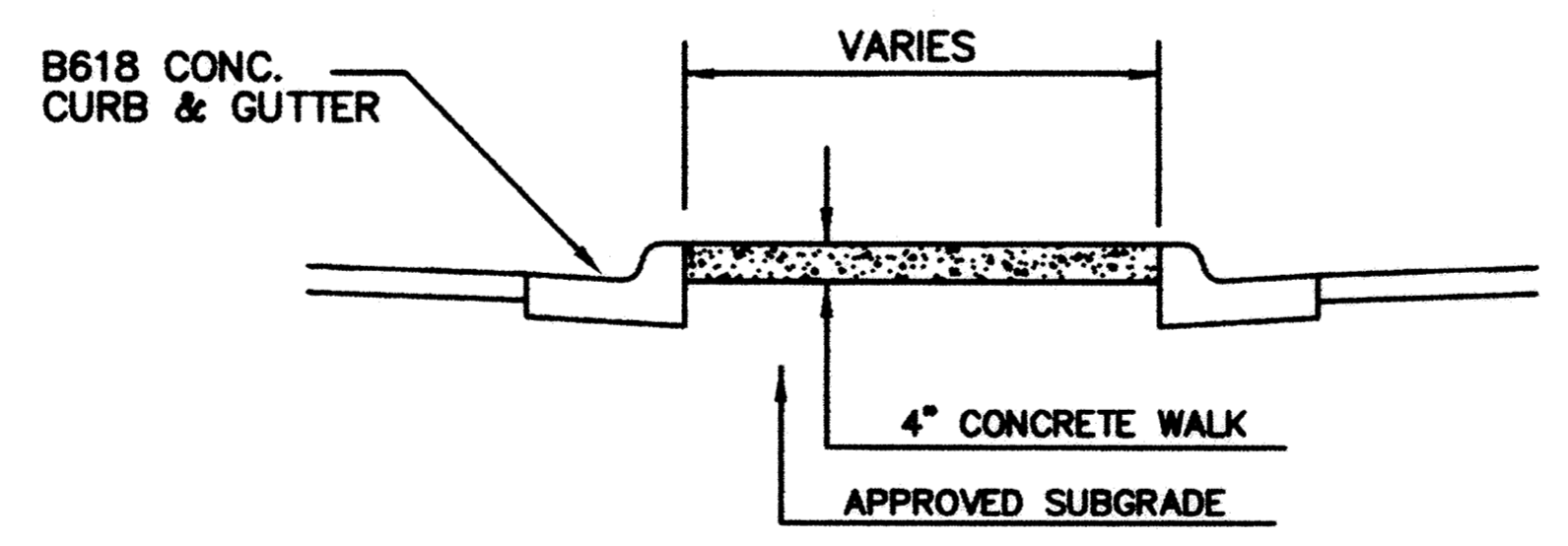
TYPICAL C.R. NO. 13 SECTION
STA. 0+25 TO 1+25



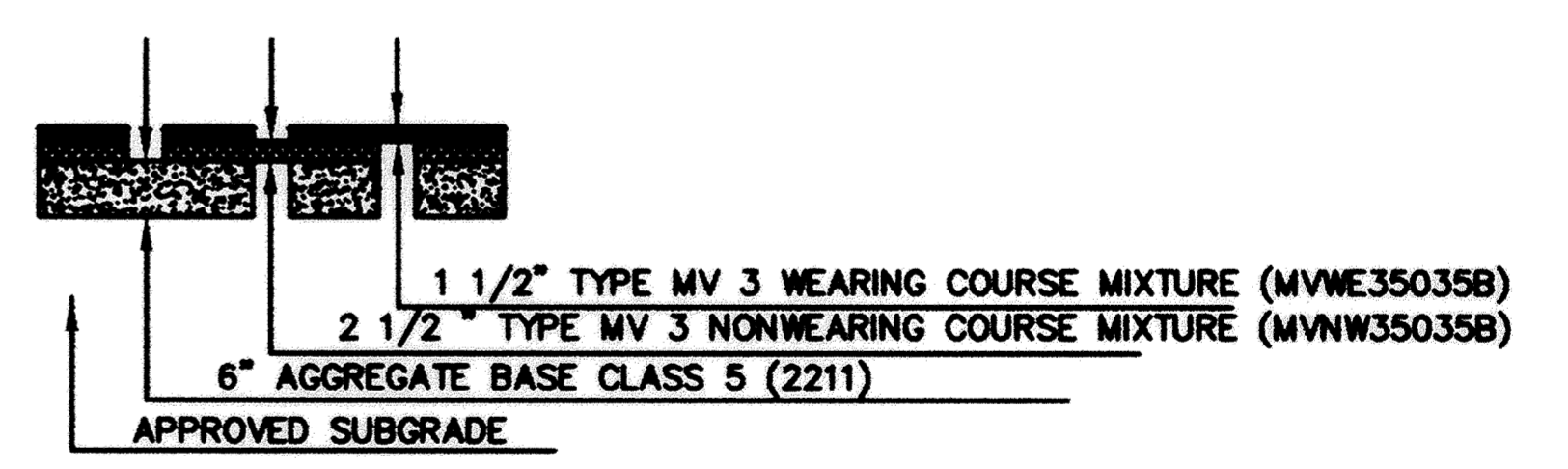
TYPICAL TH. 169
TURN LANE SECTION



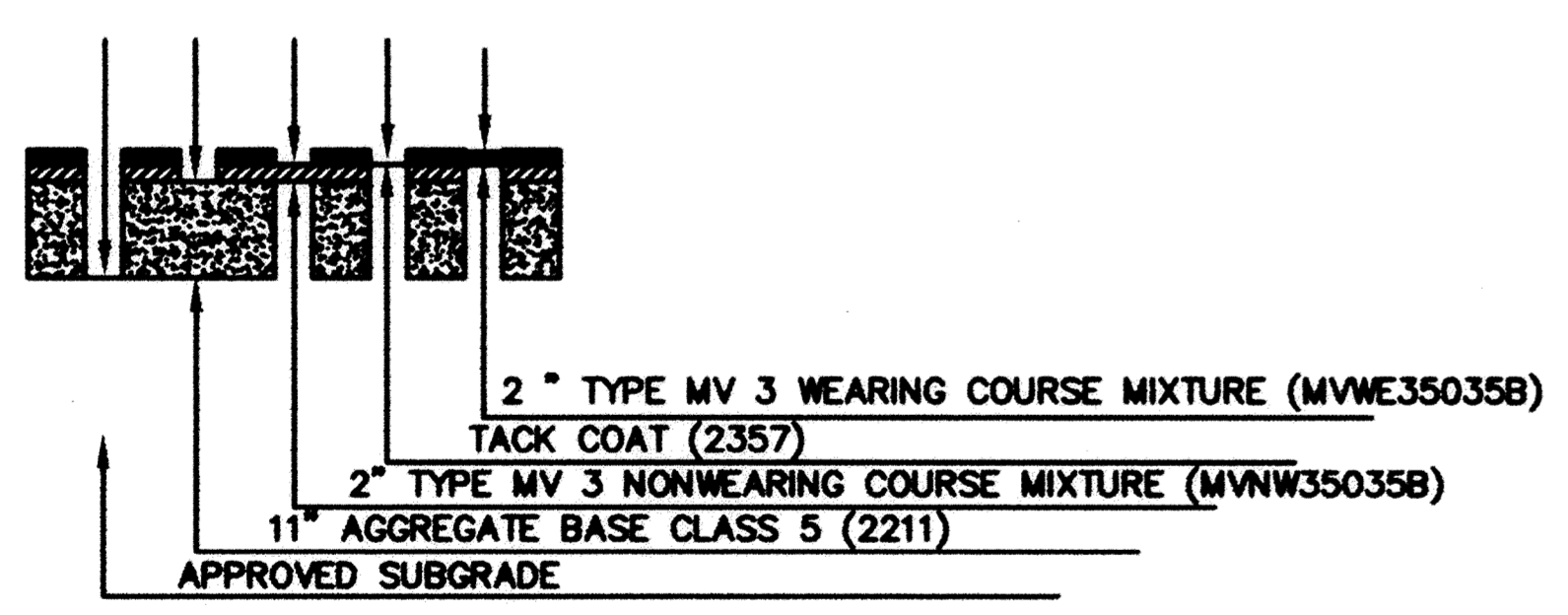
TYPICAL CONCRETE MEDIAN
REPLACEMENT SECTION



INSET "B"



INSET "A"



NOTE: S518 CONCRETE CURB AND GUTTER TO BE
INSTALLED AT TH169 MEDIANS AND ISLANDS.

DESIGNED BY: PB DRAWN BY: EY
APPROVED BY: JOB NUMBER 808190
CAD DATE: June 23, 2000 9:59:45 a.m.
CAD FILE: 808200\808200-TYP2.DWG

I HEREBY CERTIFY THAT THIS PLAN, SPECIFICATION,
OR REPORT WAS PREPARED BY ME OR UNDER MY DIRECT
SUPERVISION AND THAT I AM A DULY REGISTERED
PROFESSIONAL ENGINEER UNDER THE LAWS OF THE
STATE OF MINNESOTA.
DATE: REG. NO.:

| NO. | DATE | BY | REVISION DESCRIPTION |
|-----|------|----|----------------------|
| | | | |
| | | | |
| | | | |

1326 ENERGY PARK DRIVE
ST. PAUL, MINNESOTA 55108
(651) 644-4389

Howard R. Green Company
CONSULTING ENGINEERS

CITY OF ELK RIVER
EASTERN AREA PHASE III
STREET AND UTILITY IMPROVEMENTS

TYPICAL SECTIONS
MAIN ST. / TH. NO. 169 / C.R. NO. 13
S.A.P. 204-113-09

SHEET NO.
5
OF
46