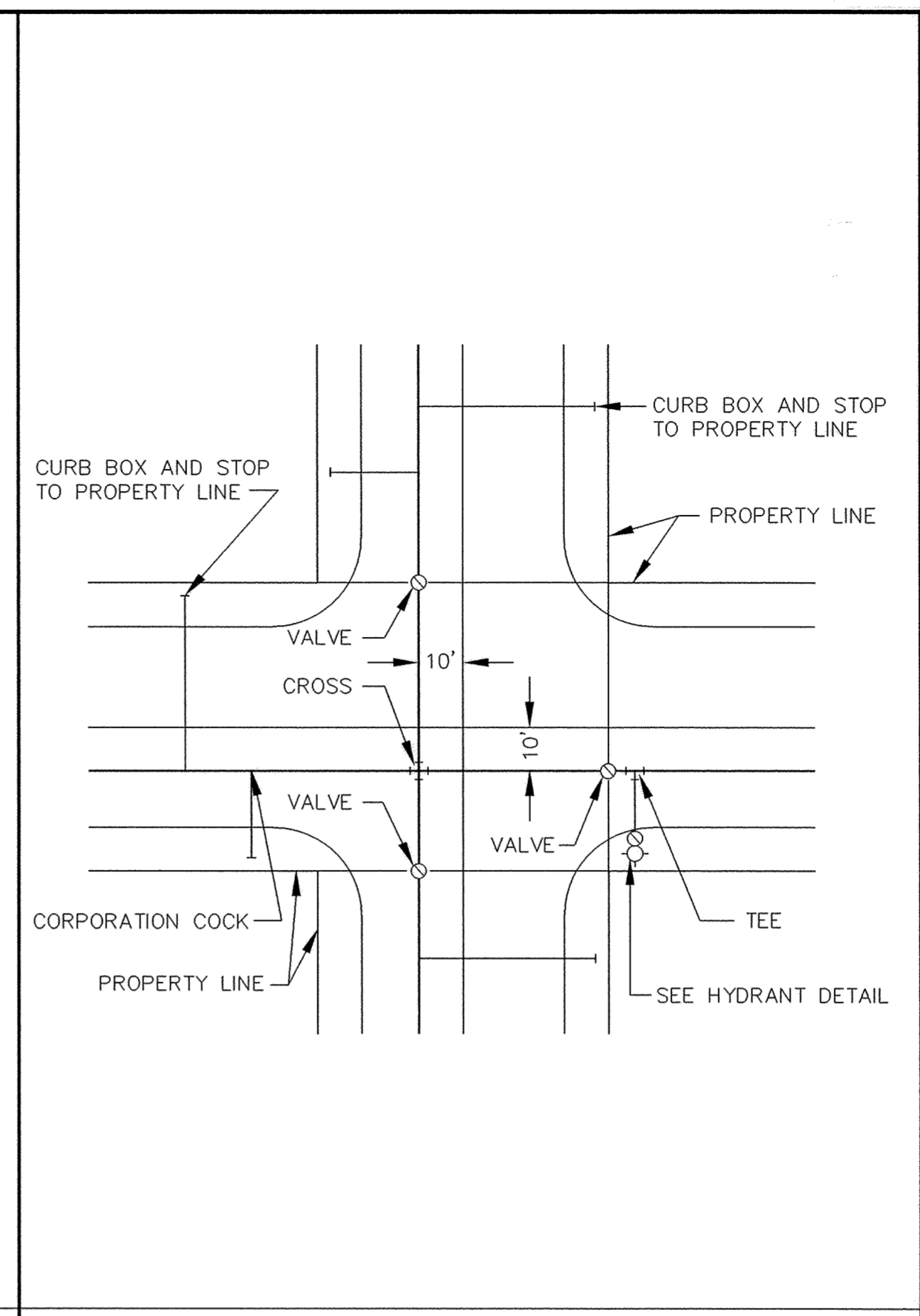
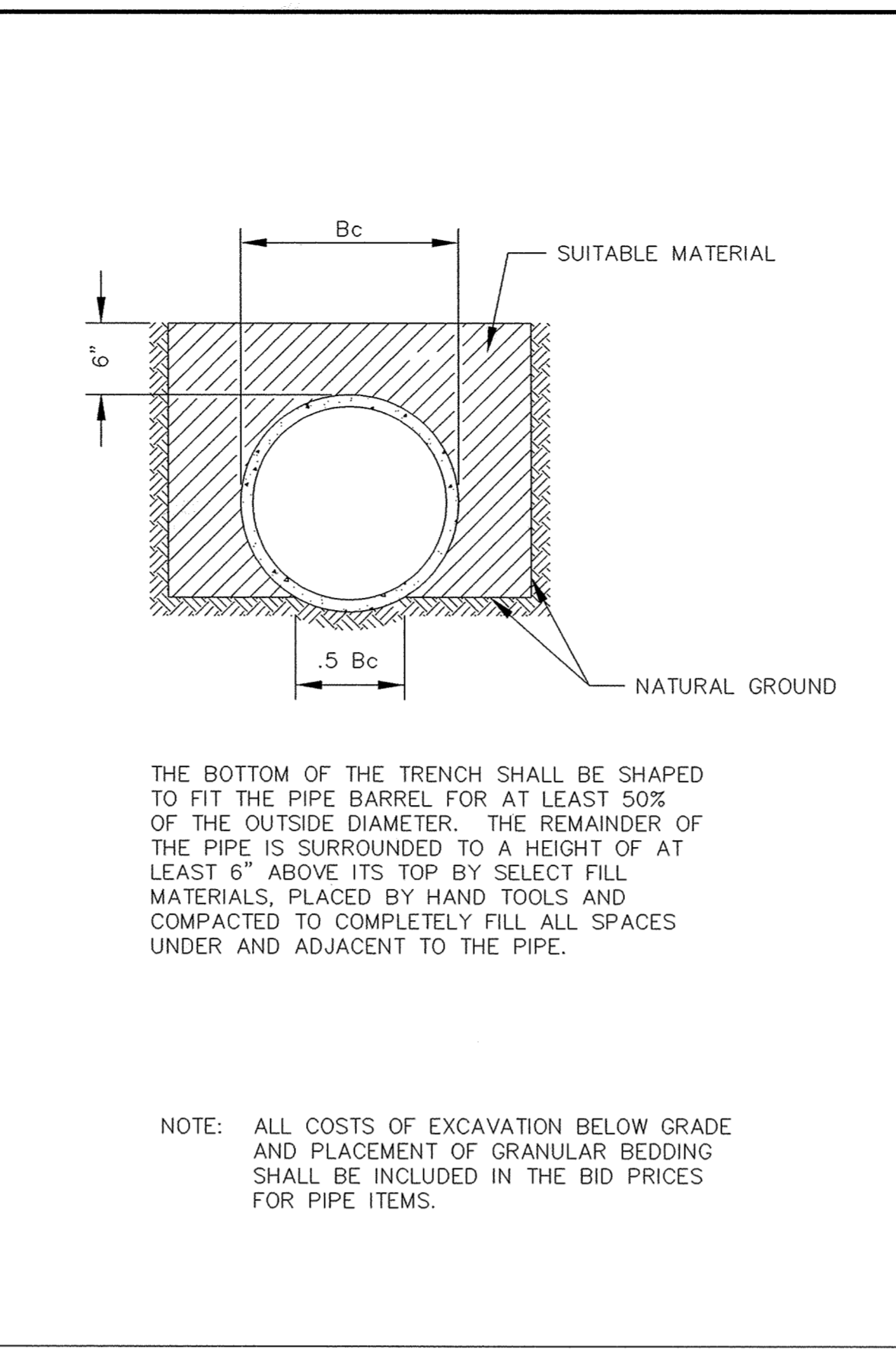


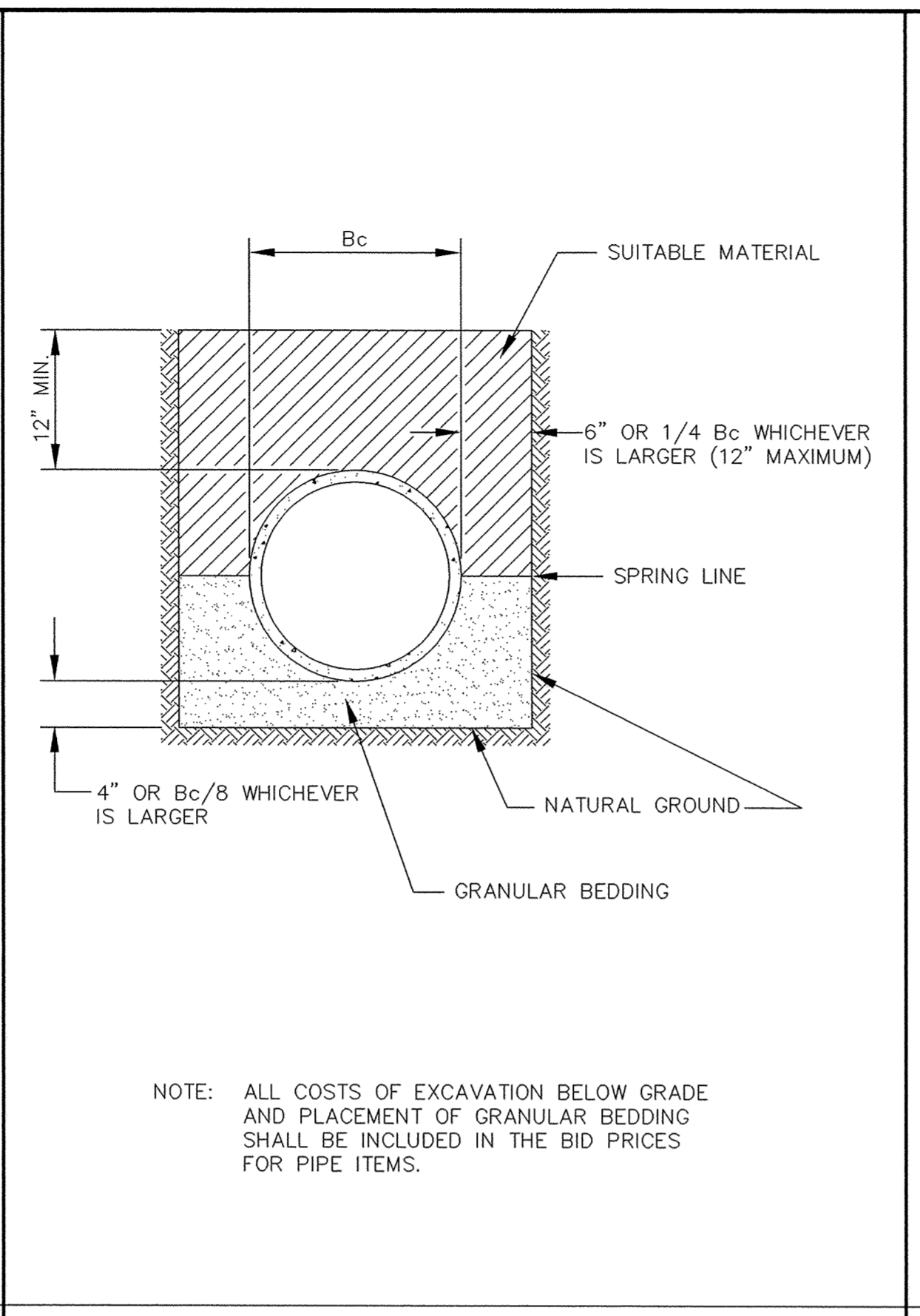
PACER HYDRANT DETAIL



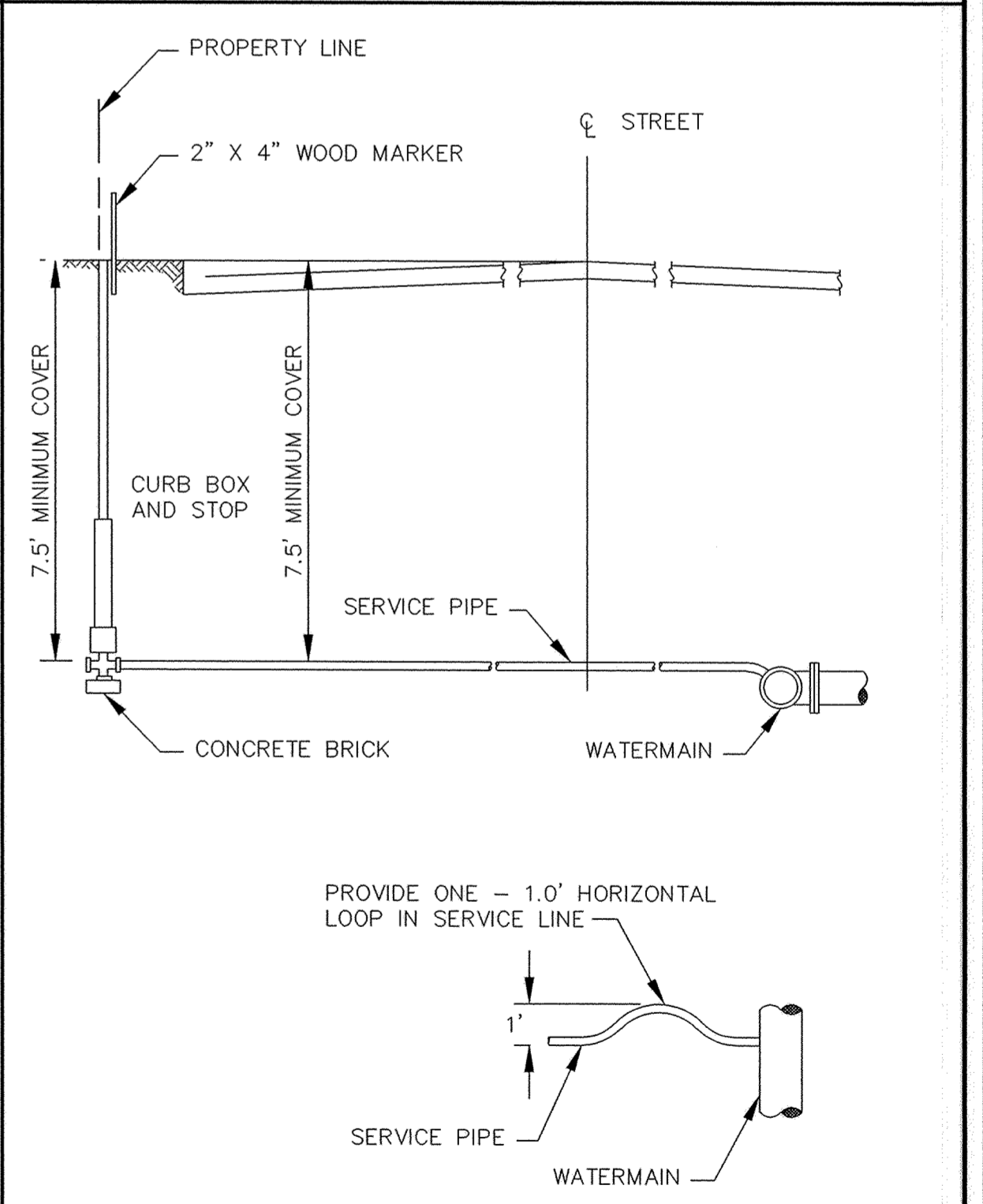
TYPICAL WATER LAYOUT



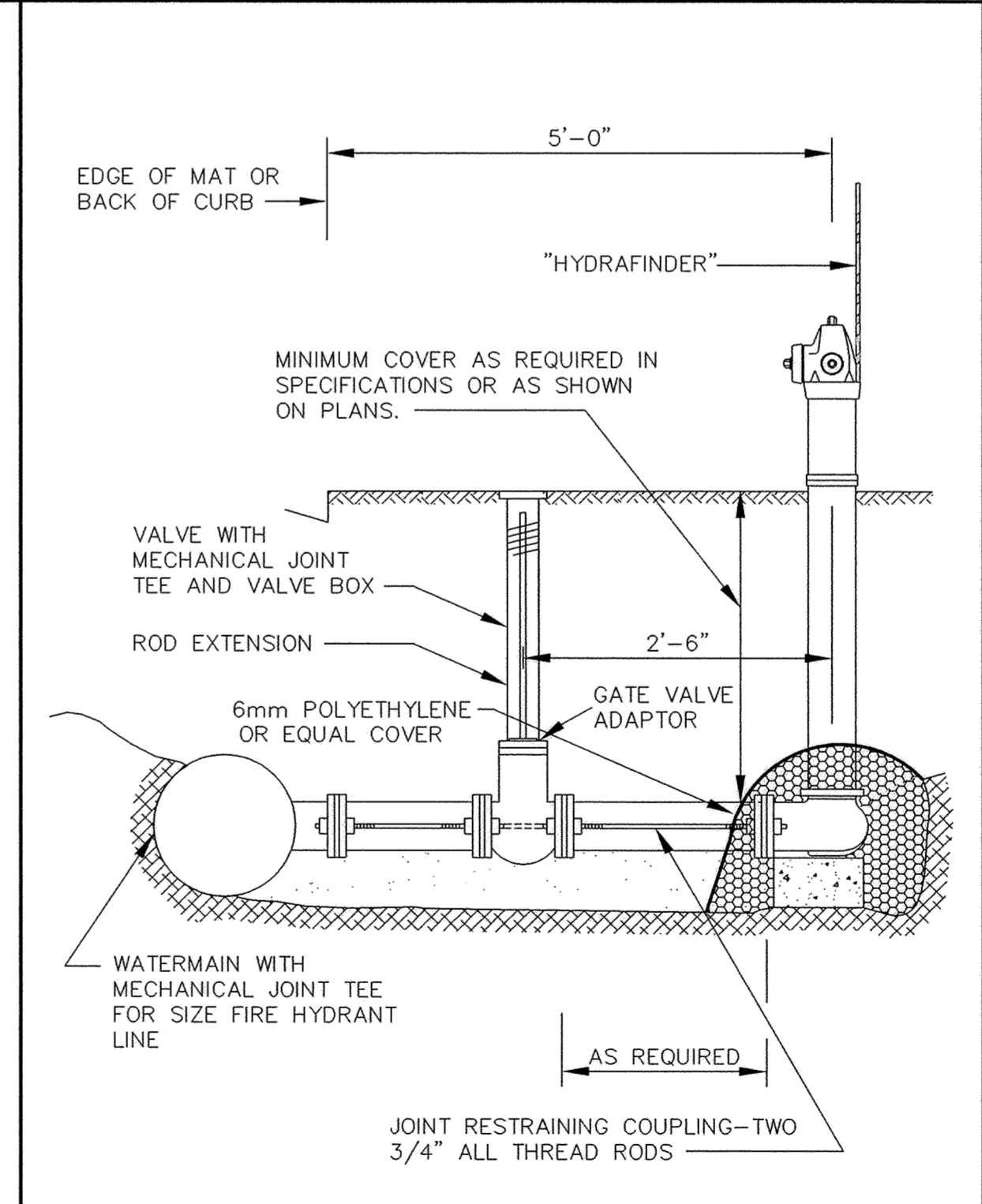
CLASS C PIPE BEDDING



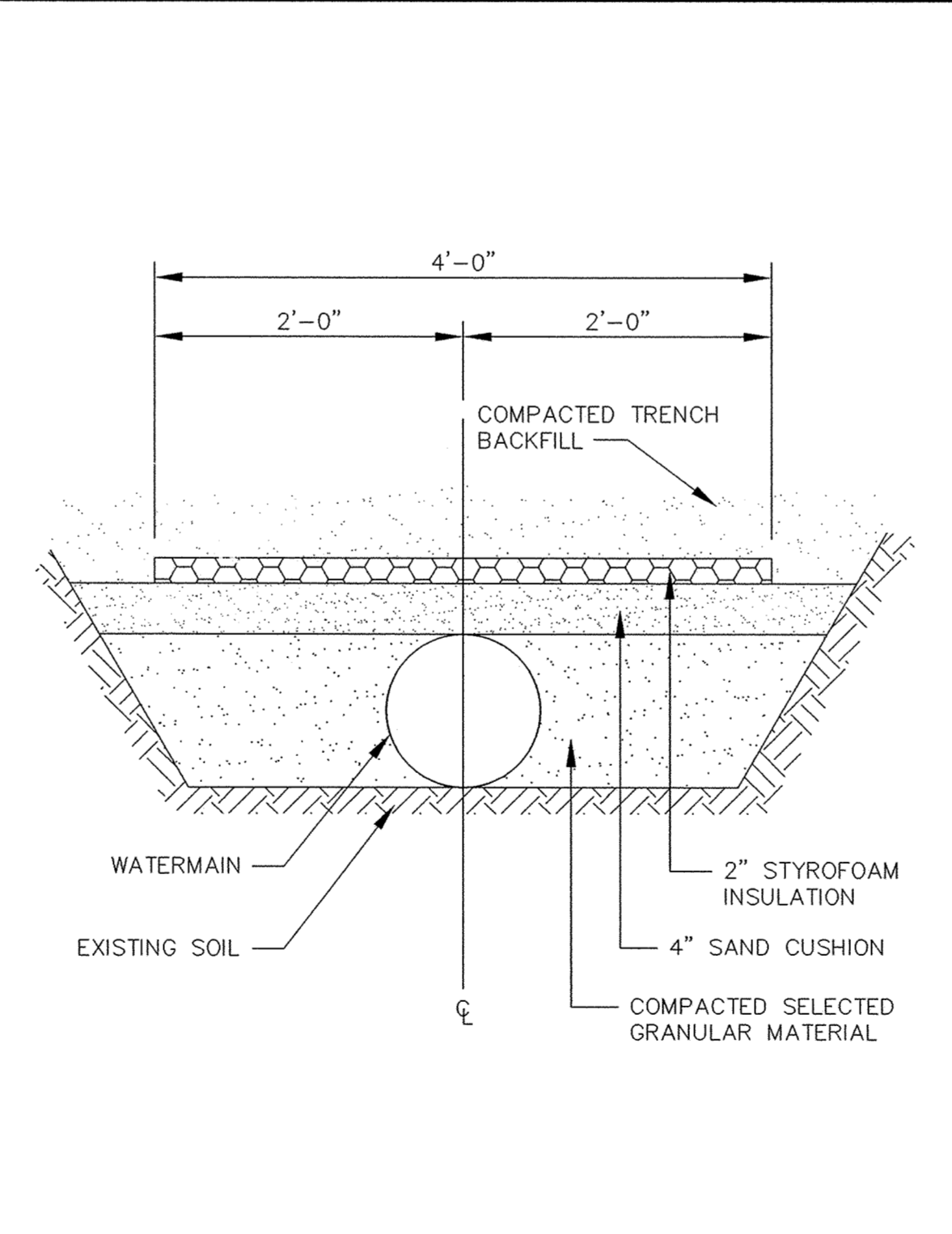
CLASS B PIPE BEDDING



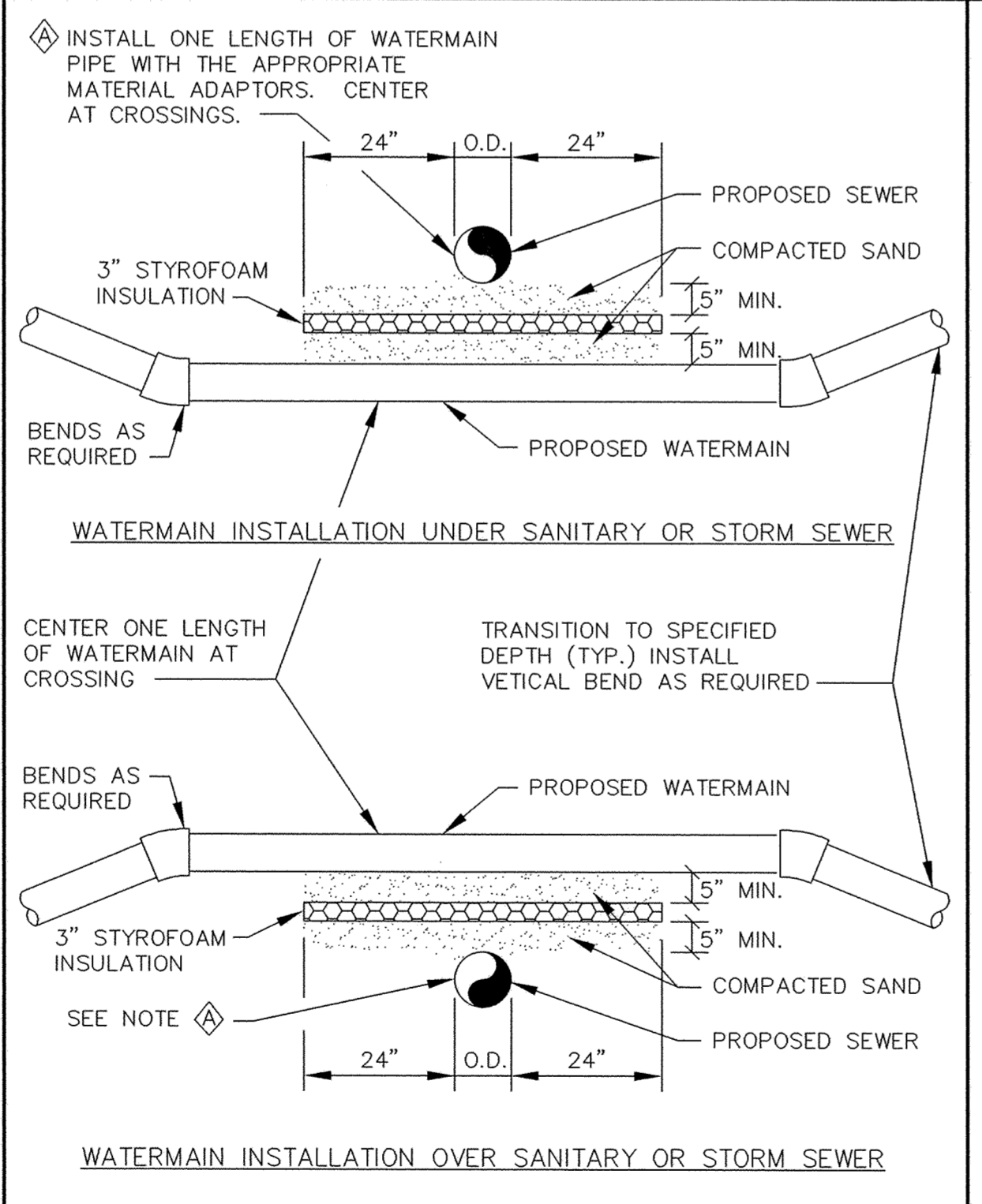
TYPICAL SERVICE DETAIL



RODDING DETAIL



PIPE INSULATION DETAIL



WATERMAIN CROSSING

Westwood Professional Services, Inc.
 7599 Anagram Drive
 Eden Prairie, MN 55344
 Phone: 952/937-5150 Fax: 952/937-5822

CENTEX HOMES

DESIGNED BY: --- DRAWN BY: ---
 APPROVED: --- JOB NUMBER ---
 CAD DATE: April 14, 1999 11:14:59 a.m.
 CAD FILE: 230000m\ER-SM.DWG

I HEREBY CERTIFY THAT THIS PLAN, SPECIFICATION, OR REPORT WAS PREPARED BY ME OR UNDER MY DIRECT SUPERVISION AND THAT I AM A DULY REGISTERED PROFESSIONAL ENGINEER UNDER THE LAWS OF THE STATE OF MINNESOTA.

DATE _____ REG. NO. _____

NO.	DATE	BY	REVISION DESCRIPTION
1	01/21/05	AS	RECORD DRAWING

1326 ENERGY PARK DRIVE
 ST. PAUL, MINNESOTA 55108
 (612) 644-4389

Howard R. Green Company
 CONSULTING ENGINEERS

CITY OF ELK RIVER
 MARSHES OF TROTT BROOK FARMS
 WATER MAIN DETAILS

SHEET NO. **11** OF **14**

CONTRACTOR: RYAN CONTRACTING
 RECORD DRAWING
 CONFORMING TO CONSTRUCTION RECORDS.
 BY ALLAN SPILLES DATE 01/21/05
 WESTWOOD PROFESSIONAL SERVICES

P:\20011092\dwg\RECORD\20011092DE@2.dwg 01/18/2005 03:27:45 PM CST