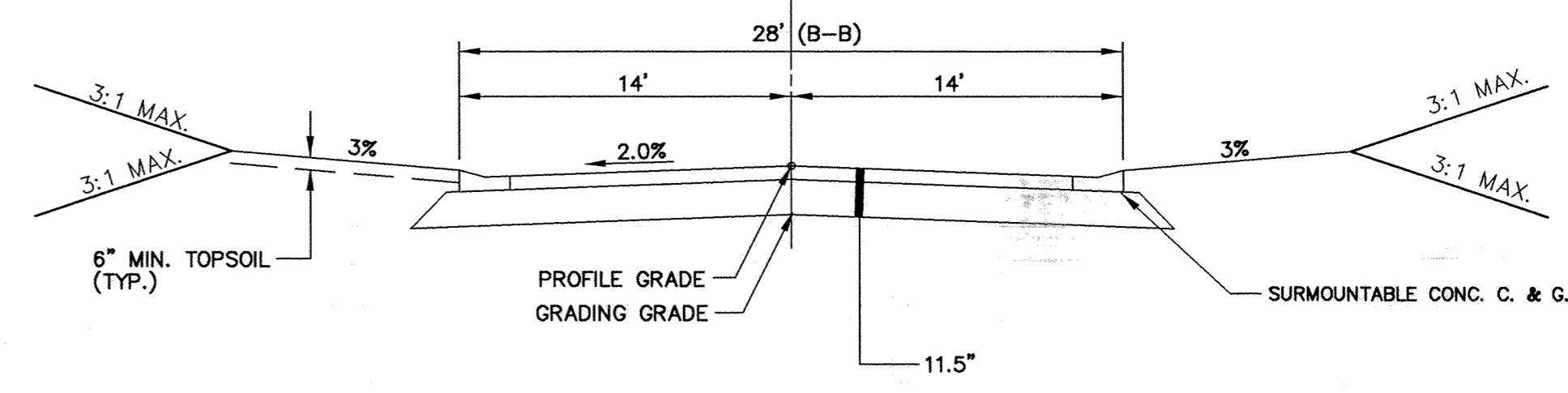


- 1-1/2" MNDOT 2350 TYPE MVWE 45035C PLANT MIXED BITUMINOUS WEARING COURSE
- TACK COAT, MndOT 2357
- 2" MNDOT 2350 TYPE LV3 PLANT MIXED BITUMINOUS BASE COURSE
- 8" GRAVEL BASE CLASS 5) (100% CRUSHED, RECYCLED)
- SUBGRADE PREPARATION

**TYPICAL STREET SECTION**  
NOT TO SCALE

STRUCTURE			CASTING TYPE
NUMBER	TYPE	DIA.	
50	FES	21"	
51	STMH	48"	R-4342
52	CBMH	60"	R-3067
52A	CBMH	48"	R-3067
53	CBMH	48"	R-3067
54	CBMH	48"	R-3067
55	CB	2'x3'	R-3067
56	CBMH	48"	R-3067
57	CBMH	48"	R-3067
58	CB	2'x3'	R-3067
59	CBMH	48"	R-3067
61	CB	2'x3'	R-3067
62	CBMH	48"	R-3067
63	CBMH	48"	R-3067
64	CBMH	48"	R-3067
65	CBMH	48"	R-3067
66	CBMH	48"	R-3067
67	CB	2'x3'	R-3067
75	CBMH	48"	R-3067
76	CBMH	48"	R-3067
76A	CBMH	48"	R-3067
77	CB		R-3067
78	FES	2'x3'	
79	STMH	48"	R-4342
80	STMH	48"	R-4342
81	STMH	48"	R-4342
82	FES	18"	
83	FES	12"	
84	OCS		SEE DETAIL, SHEET 14
85	FES	18"	
86	OCS		SEE DETAIL, SHEET 14
87	FES	21"	
88	STMH	48"	R-4342
89	FES	12"	

\* EXISTING STRUCTURES INSTALLED AS A PART OF TROITT BROOK FARMS 8TH ADDITION

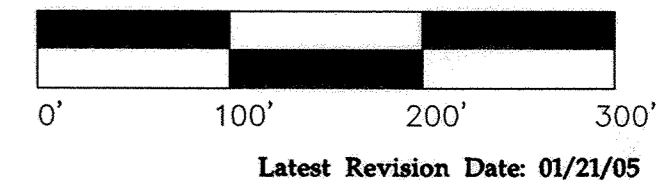


**28' B-B PRIVATE STREET TYPICAL SECTION**  
NOT TO SCALE

**LEGEND**

<b>FUTURE</b>	<b>EXISTING</b>	<b>PROPOSED</b>
Sanitary Sewer	Sanitary Sewer	Sanitary Sewer
Water	Water	Water
Hyd. w/Valve	Hyd. w/Valve	Hyd. w/Valve
Storm Sewer	Storm Sewer	Storm Sewer

CONTRACTOR: RYAN CONTRACTING  
 RECORD DRAWING  
 CONFORMING TO CONSTRUCTION RECORDS.  
 BY ALLAN SPILLES DATE 01/21/05  
 WESTWOOD PROFESSIONAL SERVICES



Latest Revision Date: 01/21/05  
 E-3 200110920A@1.DWG  
 Date: 07/12/02 Sheet: 2 OF 14

**Westwood Professional Services, Inc.**  
 7599 Anagram Drive  
 Eden Prairie, MN 55344  
 Phone: 952/937-5150 Fax: 952/937-5822

I hereby certify that this plan was prepared by me or under my direct supervision and that I am a duly licensed PROFESSIONAL ENGINEER under the laws of the State of Minnesota.  
  
**Francis D. Hagen, II**  
 Date: 01/21/05 License No. 17716

<b>Revisions:</b>	<b>Designed:</b> JMM	<b>Prepared for:</b>
08/05/02 City Review (CL)	<b>Checked:</b> FDH, II	<b>D. R. Horton, Inc.</b> 20860 Kenbridge Court Lakeville, Minnesota 55044
08/19/02 City Review (LPB)	<b>Drawn:</b> WH	
10/25/02 Storm Sewer (WH)	<b>Record Drawing by/date:</b> AS 1/21/05	
04/22/03 185th Avenue Over Gas Lines (CL)		
01/21/05 RECORD DRAWING (AS/GWB)		

**Marshes of Trott Brook Farms**  
 Elk River, Minnesota

**Overall Plan**

DRAWING NUMBER

DRAWING NUMBER

DRAWING NUMBER

DRAWING NUMBER

P:\20011092\dwg\RECORD\20011092D4E1.dwg 01/18/2005 02:26:01 PM CST