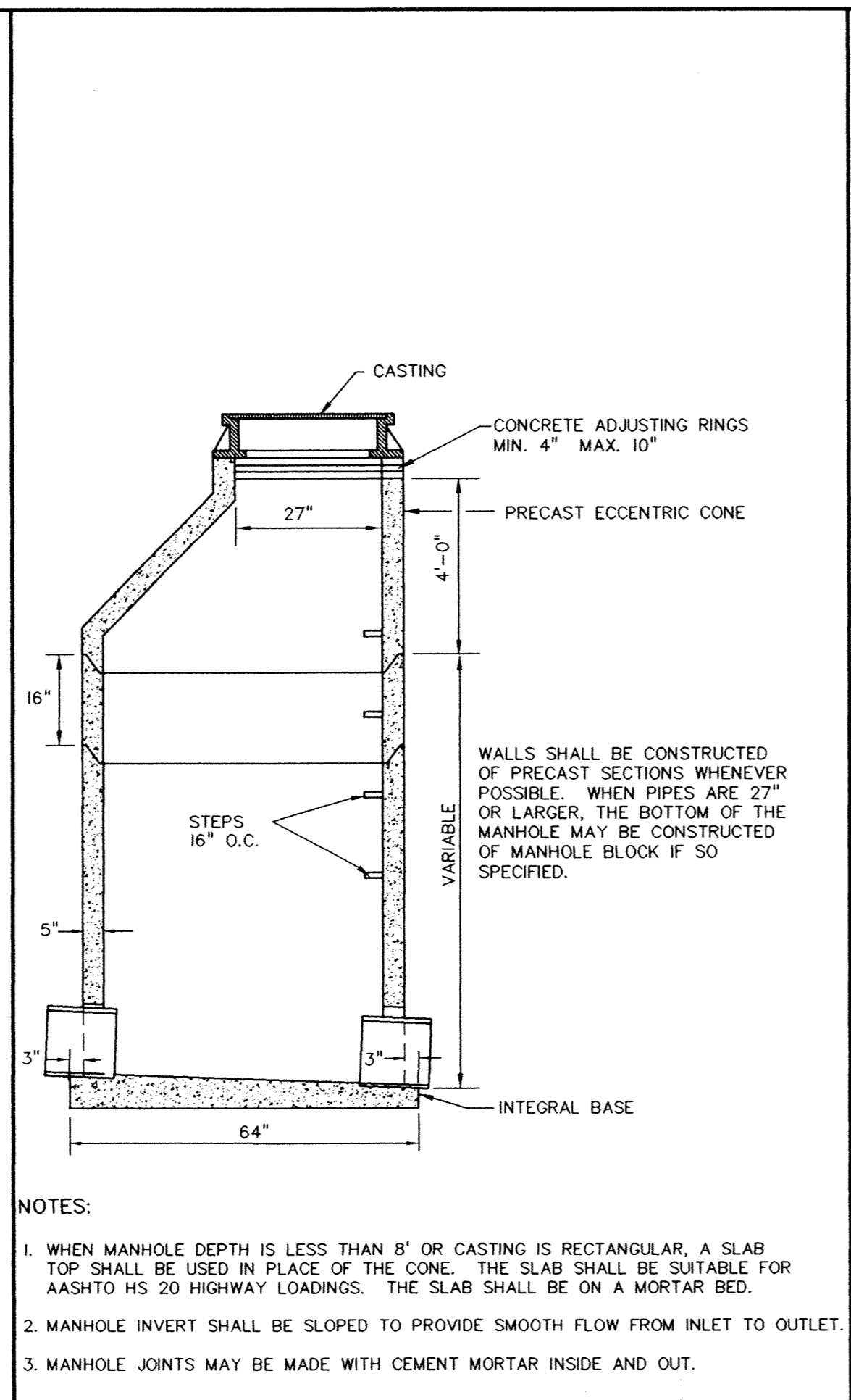
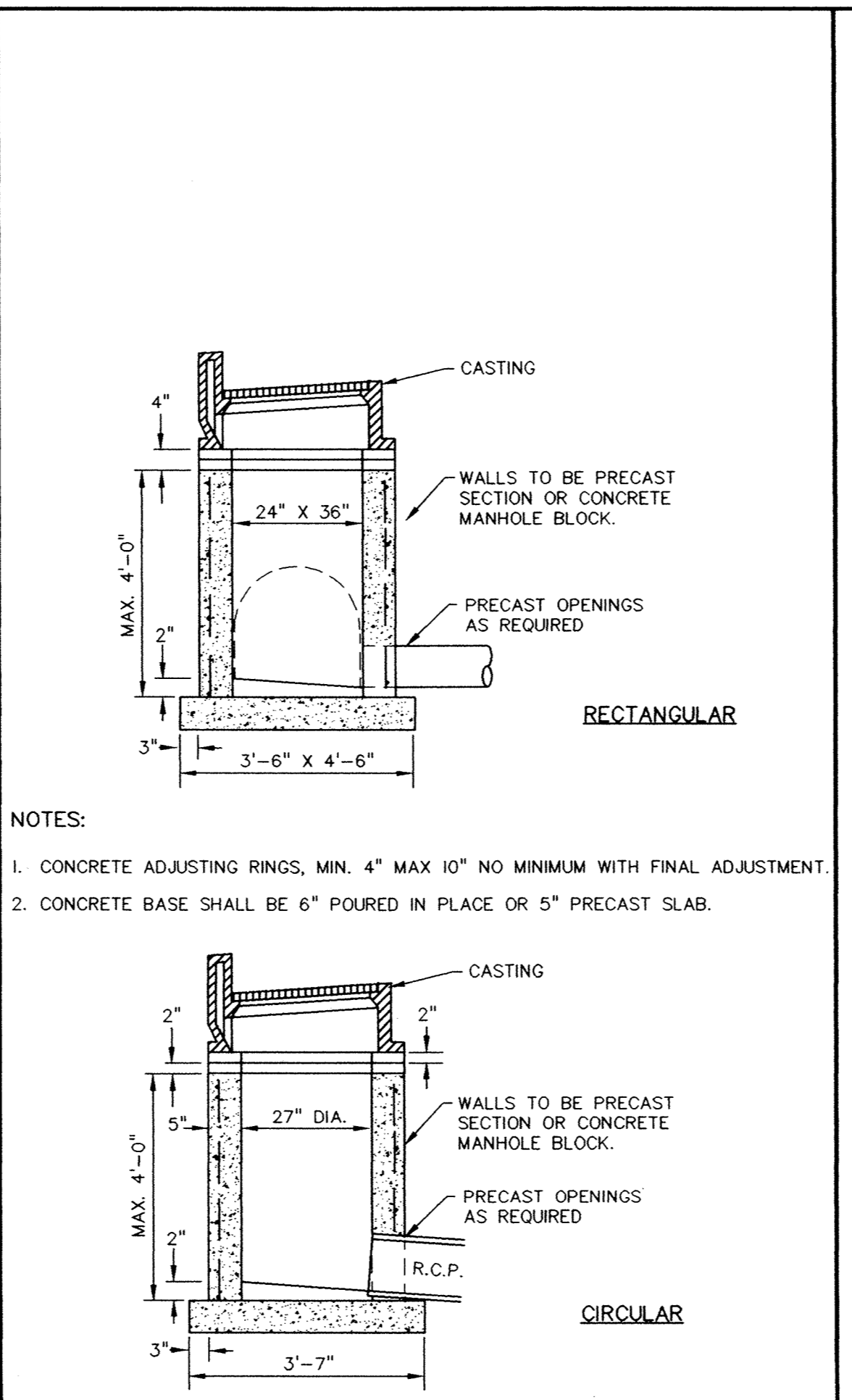


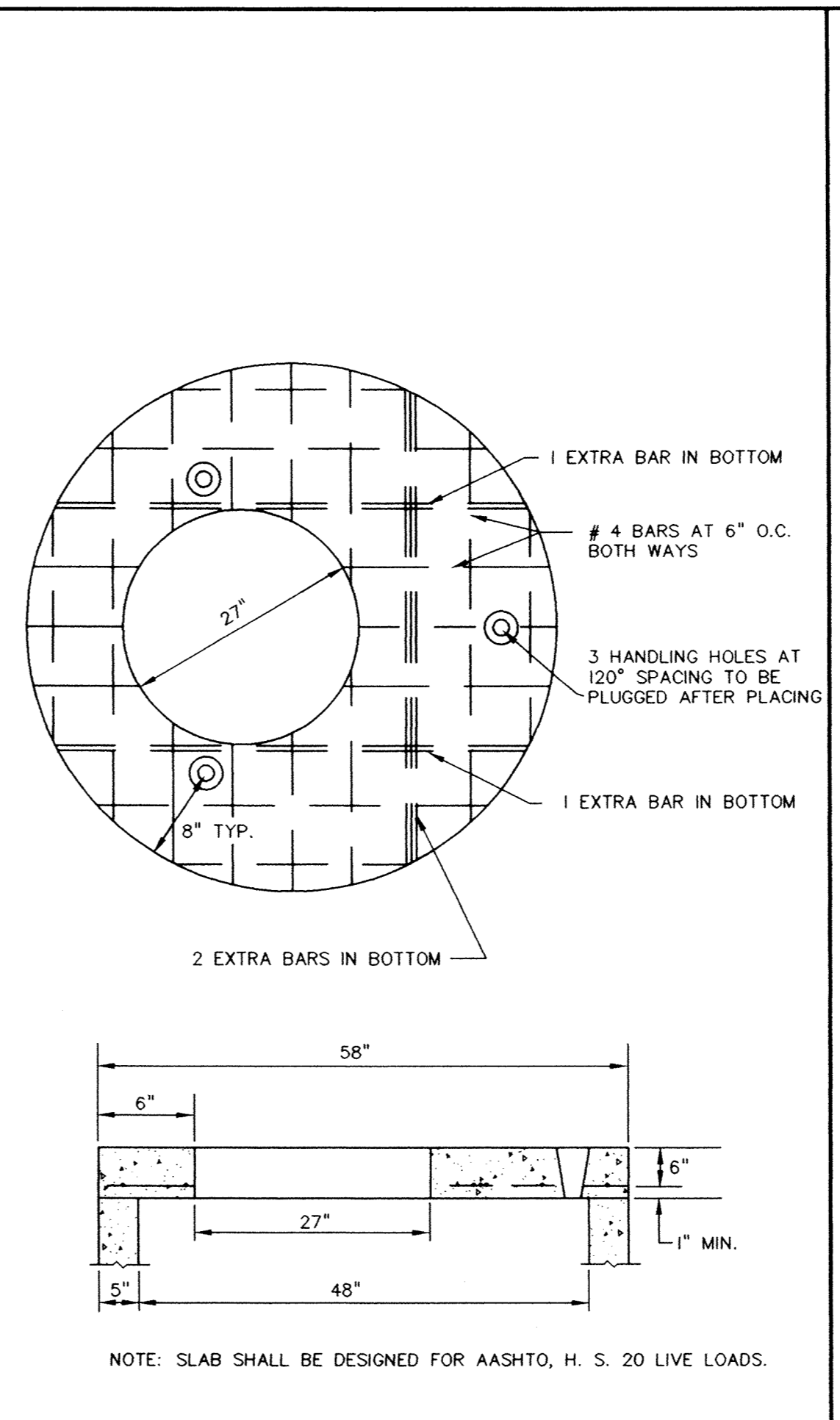
STANDARD INLET CASTING (C-04)



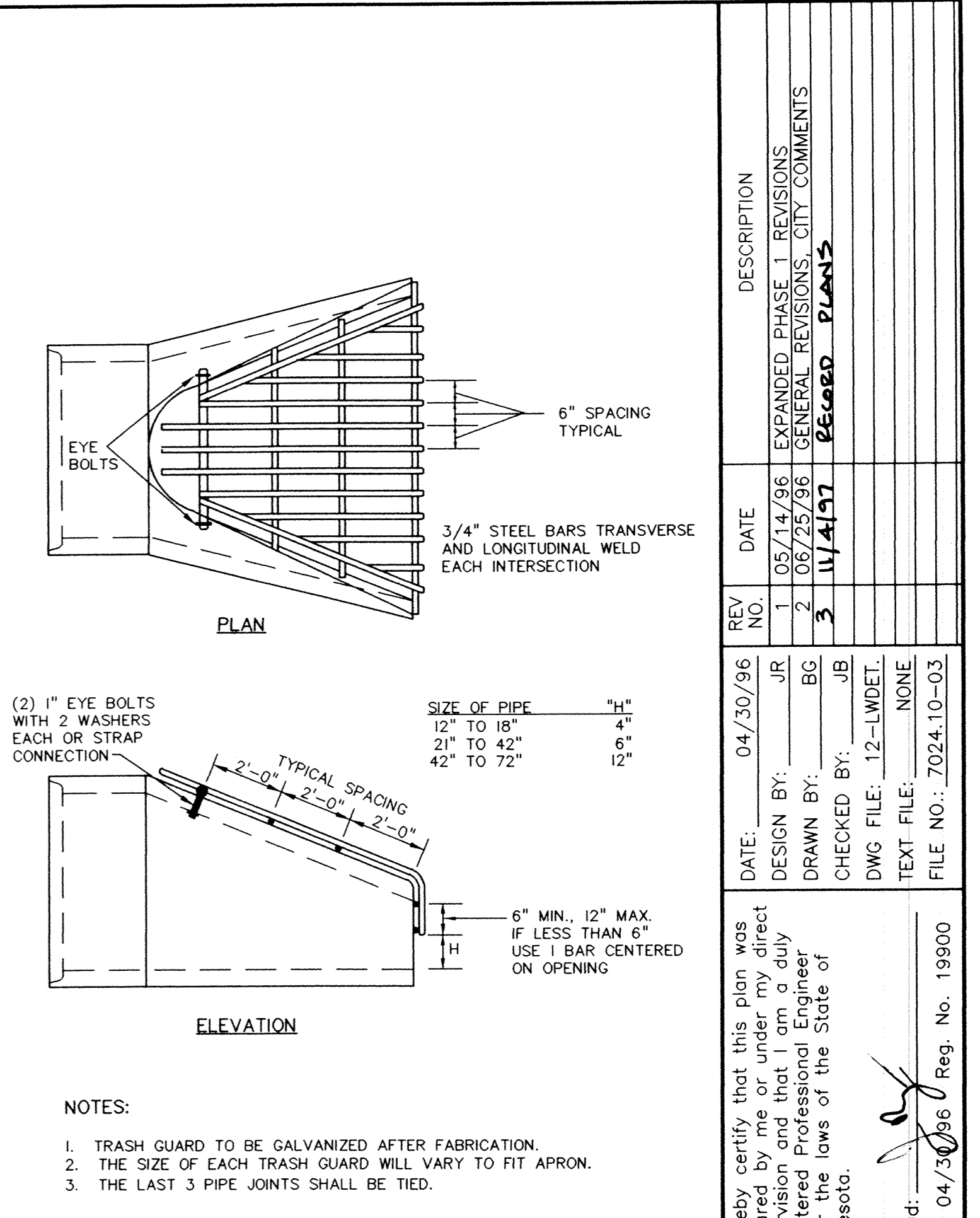
STANDARD STORM SEWER MANHOLE (D-01)



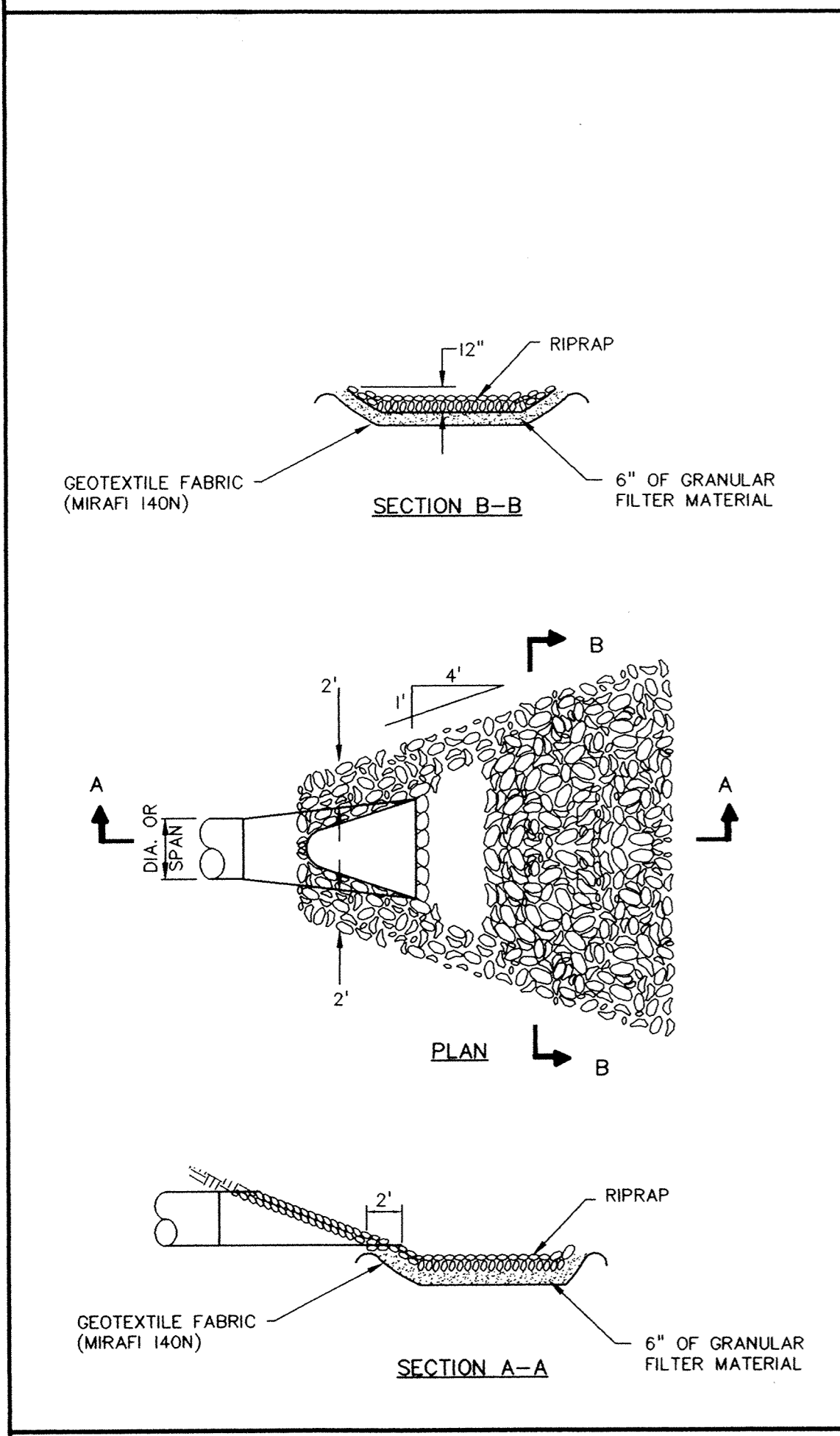
SHALLOW STORM SEWER MANHOLE OR CATCH BASIN (D-03)



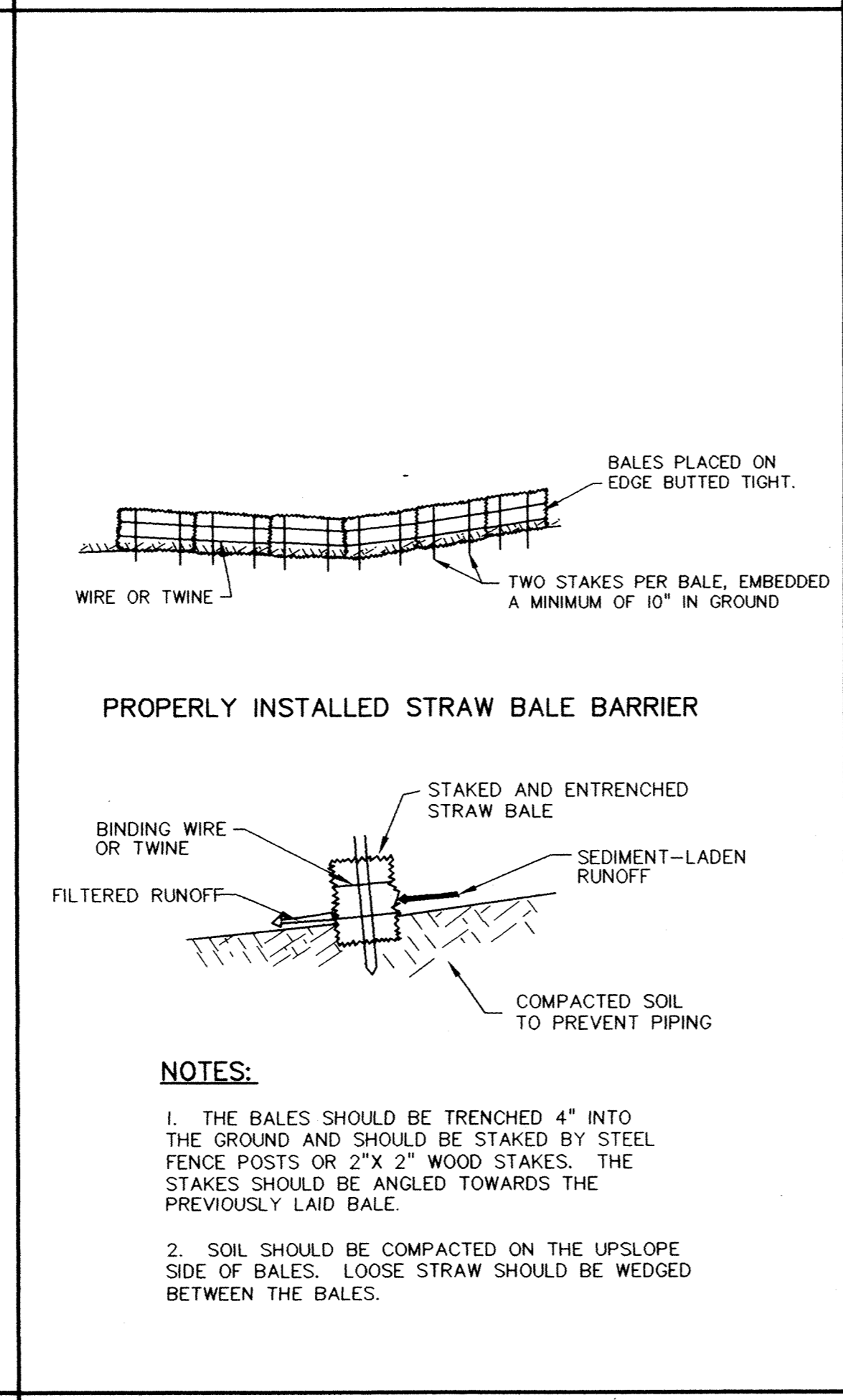
STANDARD CIRCULAR MANHOLE SLAB TOP (D-04)



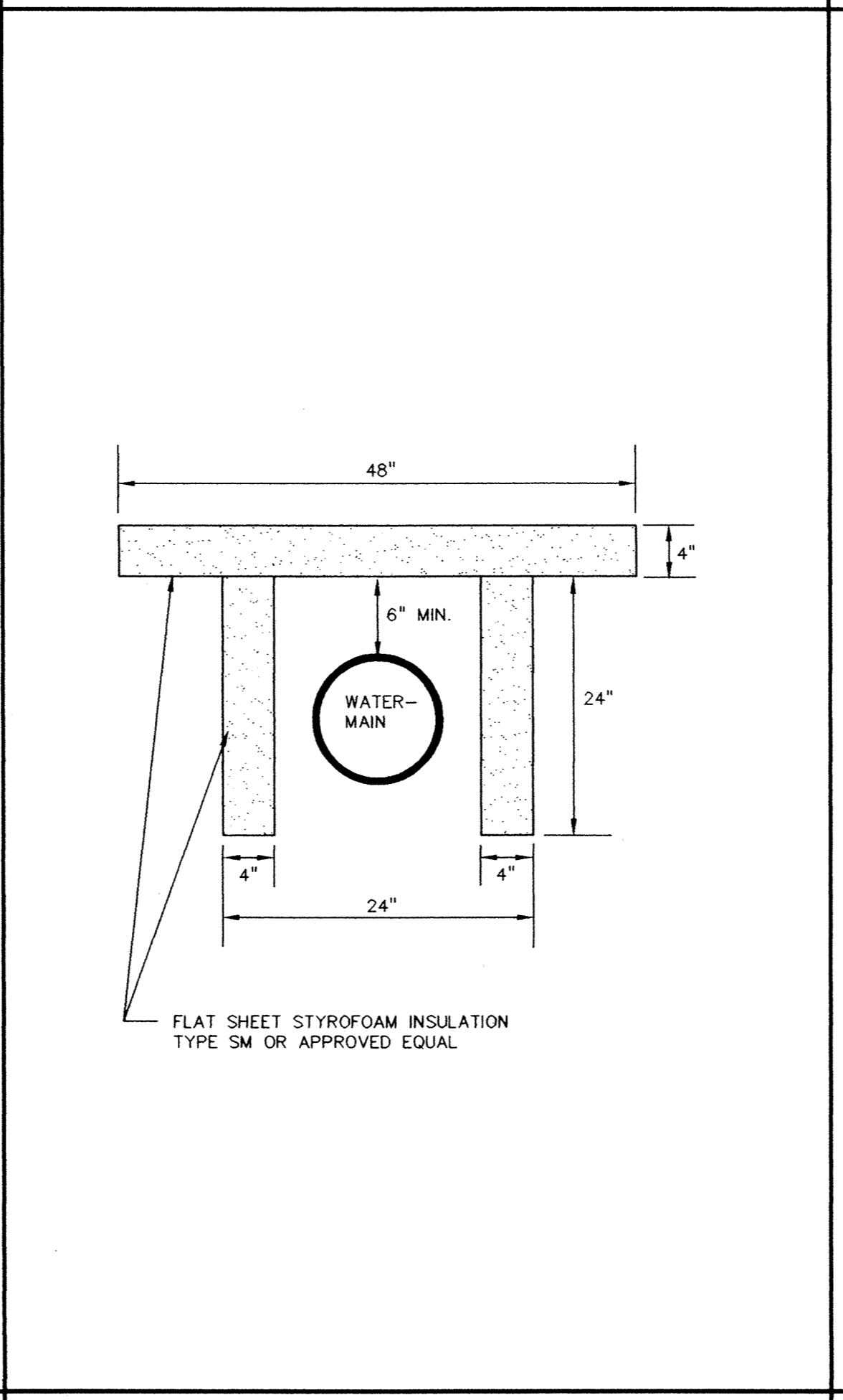
TRASH GUARD FOR CONCRETE PIPE (D-06)



RANDOM RIPRAP (D-10)



EROSION CONTROL STAW BALE CHECK DAM (E-01)

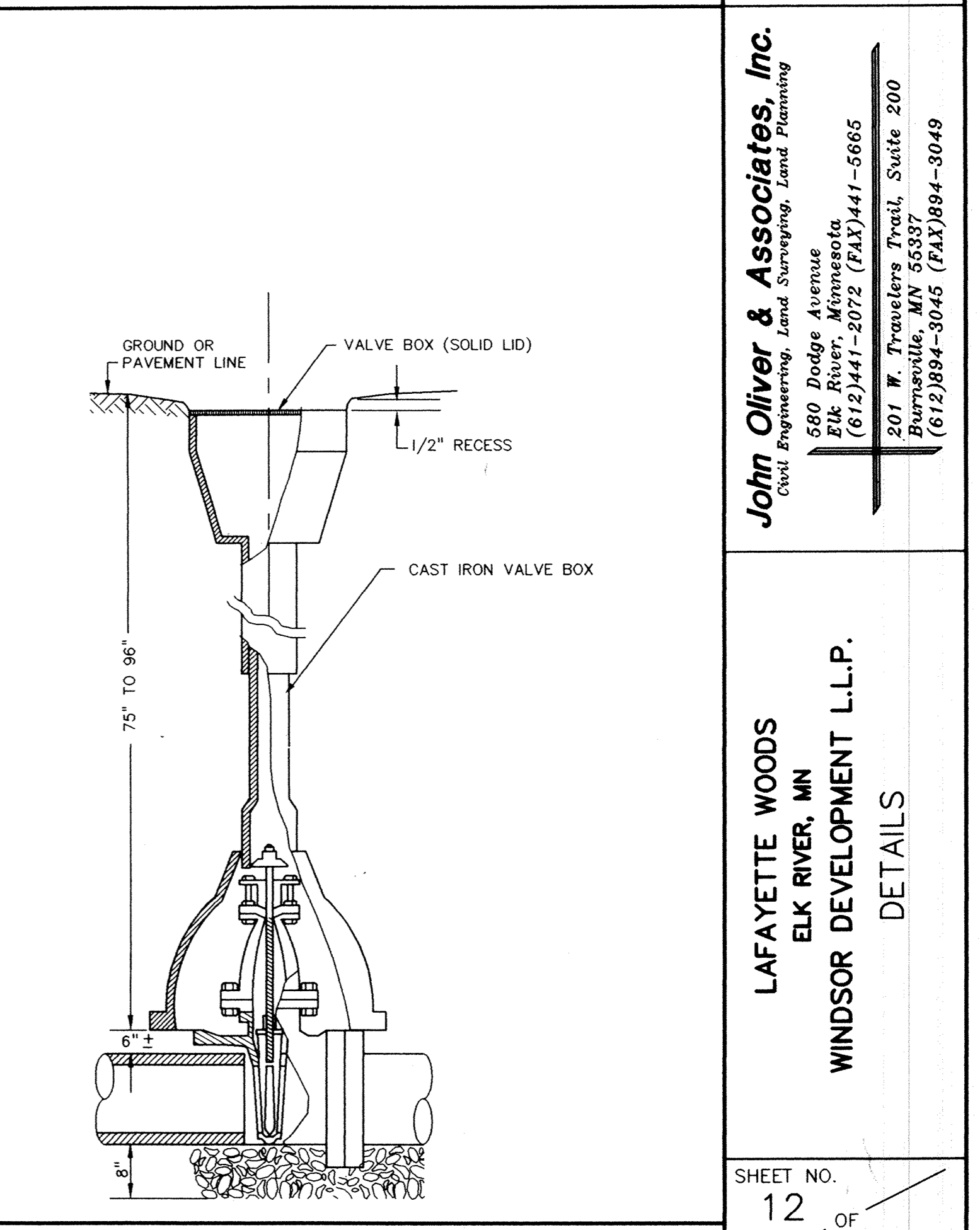


TYPICAL SHALLOW WATERMAIN INSULATION (W-SP-03)

RECORD DRAWINGS

PRIME CONTRACTOR/UTILITIES: C.W. HOULE, INC.
CURB & GUTTER: HALVORSON CURB CO.
STREETS: BAUERLY BROS., INC.

INSPECTION: RALPH BADER, HOWARD R. GREEN CO.
SURVEY: JOHN OLIVER & ASSOCIATES, INC.
EARTHWORK: DENNIS FEHN EXCAVATING, INC.
RECORD DRAWINGS: BRYAN CLICHE, JOA
CONSTRUCTED: 1996



GATE VALVE AND BOX INSTALLATION (W-SP-06)

John Oliver & Associates, Inc.
Civil Engineering, Land Surveying, Land Planning
580 Dodge Avenue
Elk River, Minnesota
(612)441-2072 (FAX)441-5665
201 W. Travelers Trail, Suite 200
Farmville, NC 27837
(612)884-3045 (FAX)884-3049

LAFAYETTE WOODS
ELK RIVER, MN
WINDSOR DEVELOPMENT L.L.P.
DETAILS

SHEET NO. 12 OF 15