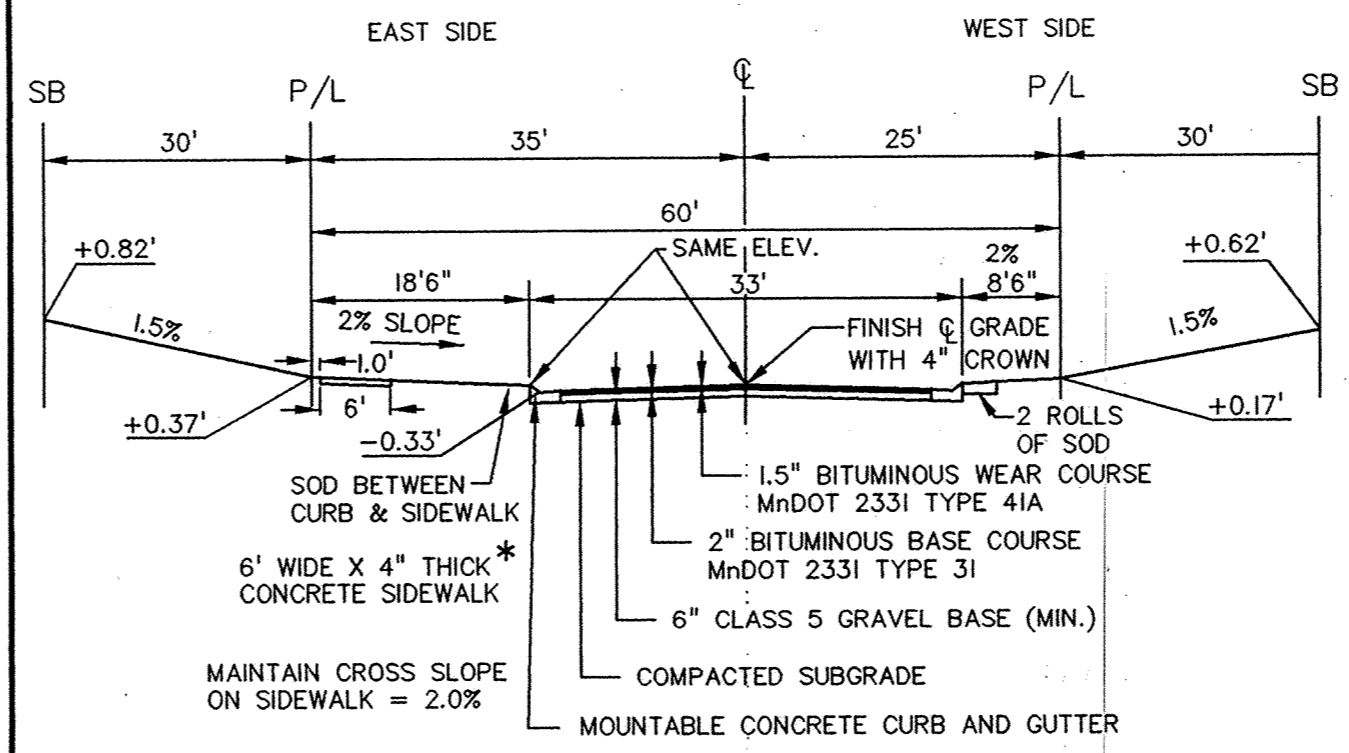
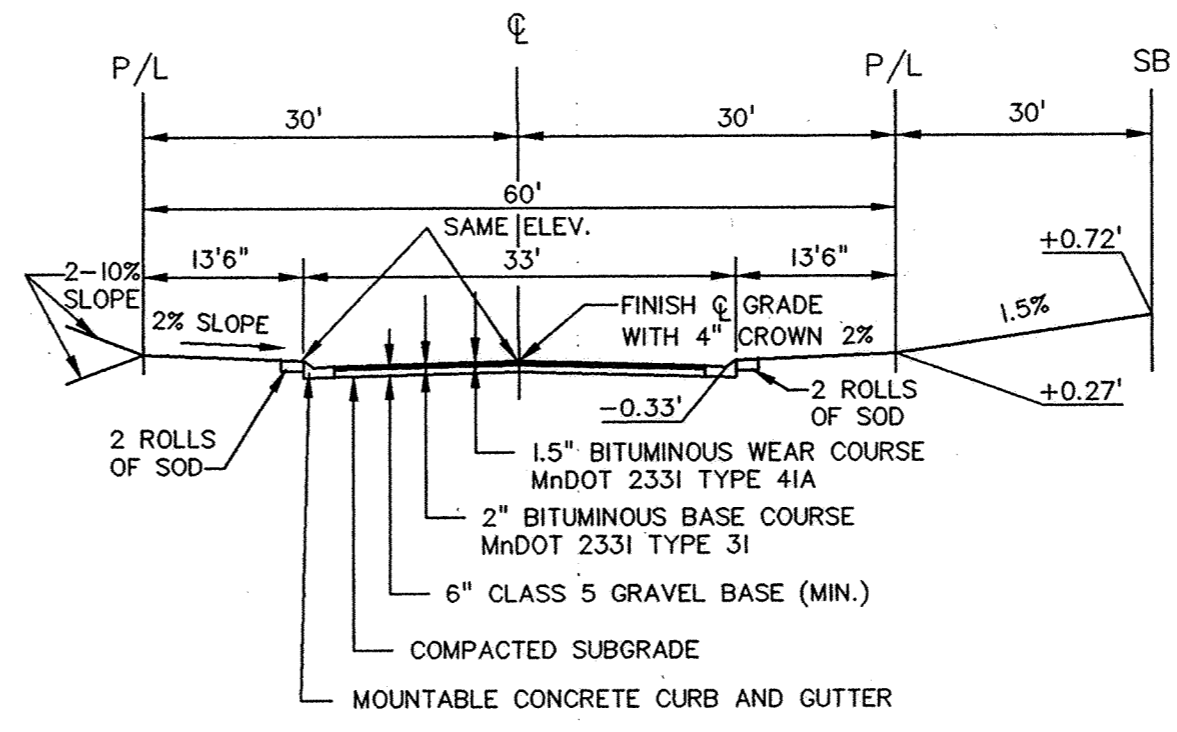


TYPICAL SERVICE DETAIL



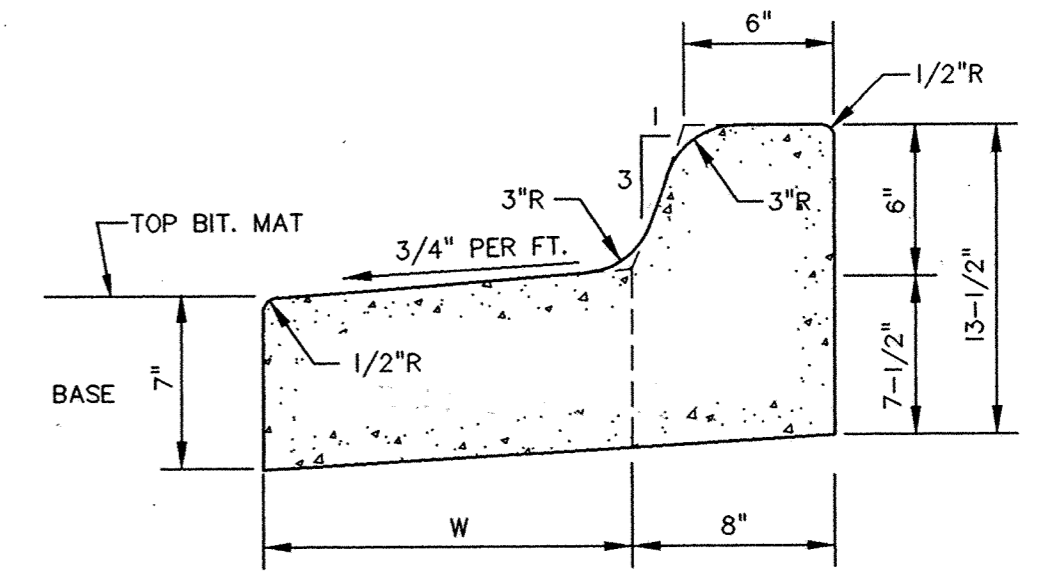
\* = EAST SIDE UPLAND STREET ONLY  
**STREET WITH SIDEWALK**  
 NO UTILITIES SHALL BE CONSTRUCTED BETWEEN CURB AND SIDEWALK.



STREET WITHOUT SIDEWALK

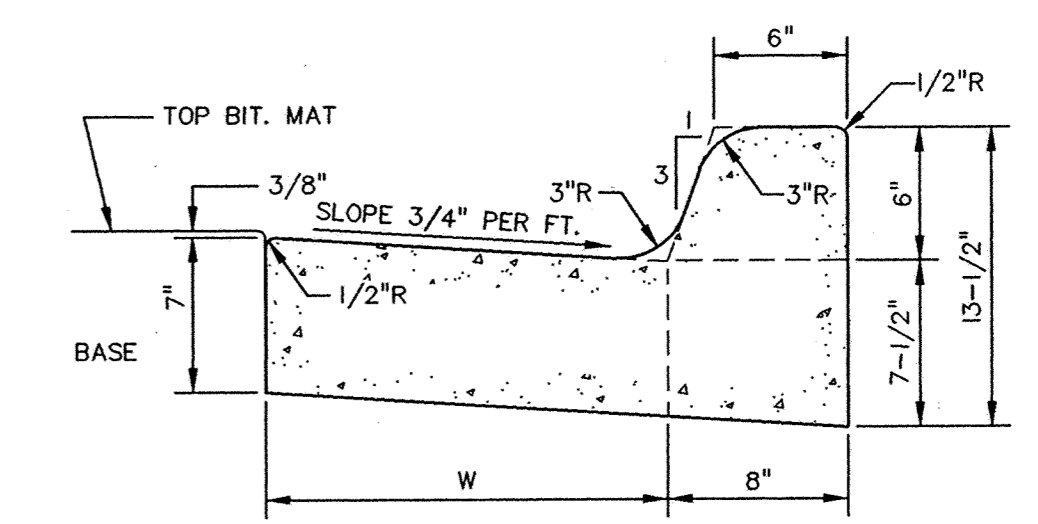
TYPICAL STREET SECTION

**RECORD DRAWINGS**



OUTFALL GUTTER

W=12" B612  
 W=18" B618  
 W=24" B624



STANDARD GUTTER

"B" TYPE CONCRETE CURB & GUTTER (R-08)

REV. NO.	DATE	DESCRIPTION
1	2/3/99	CHANGED FROM 3RD TO 4TH CITY COMMENTS. PED. RAMP, CURB TRANSITION & SIDEWALK
2	9/2/99	RECORD DRAWINGS
3	5/2/99	

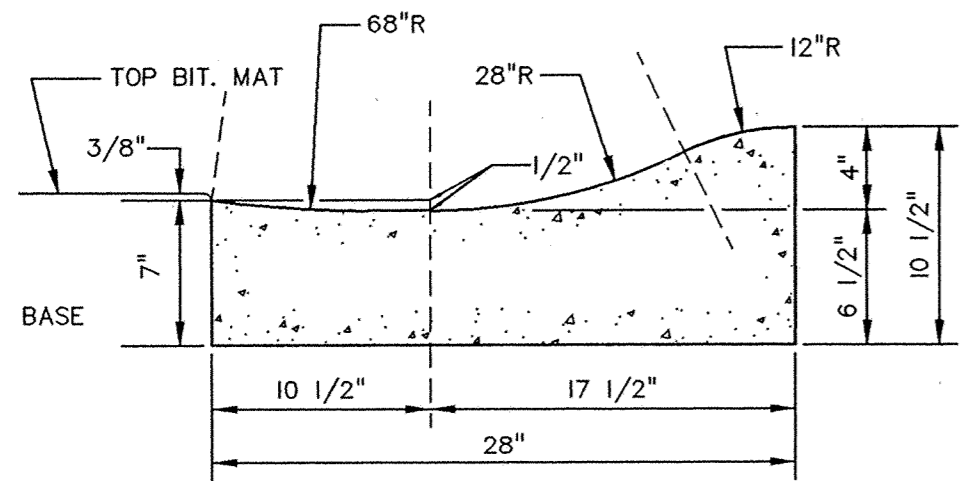
DATE: 5/2/99  
 DESIGN BY: JIB  
 DRAWN BY: BG  
 CHECKED BY: JIB  
 DWG FILE: 7-PPDET.  
 TEXT FILE: NONE  
 FILE NO.: 7024-40-03

I hereby certify that this plan was prepared by me from a duly Registered Professional Engineer under the laws of the State of Minnesota.  
 Signed: *John C. Shatt* Reg. No. 14960  
 Date: 5/2/99

PRIME CONTRACTOR/UTILITIES: C. W. HOULE, INC.  
 CURB & GUTTER: HALVORSON CONCRETE, INC.  
 STREETS: BAUERLY BROS., INC.  
 INSPECTION: STEVE TORGESON, HOWARD R. GREEN CO.  
 SURVEY: JOHN OLIVER & ASSOCIATES, INC.  
 EARTHWORK: SOIL-CON, INC.  
 RECORD DRAWINGS: FRED FRITSCHER, JOHN OLIVER & ASSOCIATES, INC.  
 CONSTRUCTED: 2000

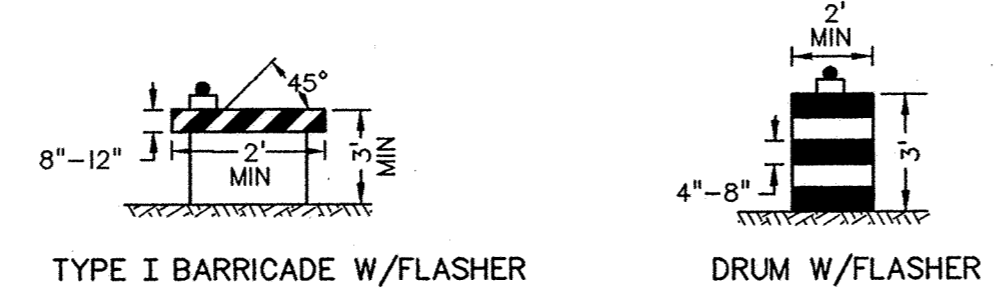
**John Oliver & Associates, Inc.**  
 Civil Engineering, Land Surveying, Land Planning  
 560 Dodge Avenue  
 Elk River, Minnesota  
 (612)441-2072 (FAX)441-5665  
 201 W. Travelers Trail, Suite 200  
 Burnsville, MN 55337  
 (612)894-3045 (FAX)894-8049

**LAFAYETTE WOODS**  
 FOURTH ADDITION  
 ELK RIVER, MN  
**WINDSOR DEVELOPMENT L.L.P.**  
 DETAILS

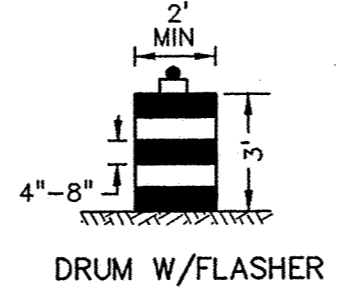


MOUNTABLE

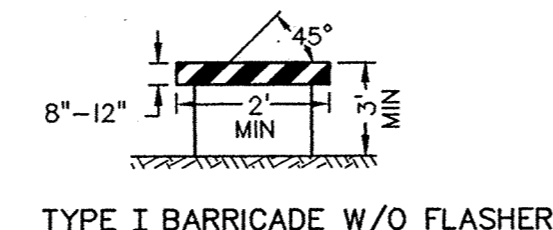
MOUNTABLE CONCRETE CURB & GUTTER (R-06)



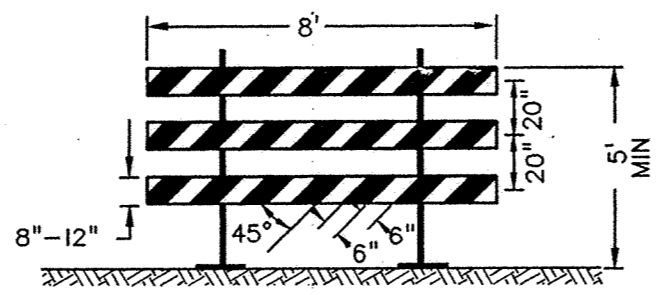
TYPE I BARRICADE W/FLASHER



DRUM W/FLASHER

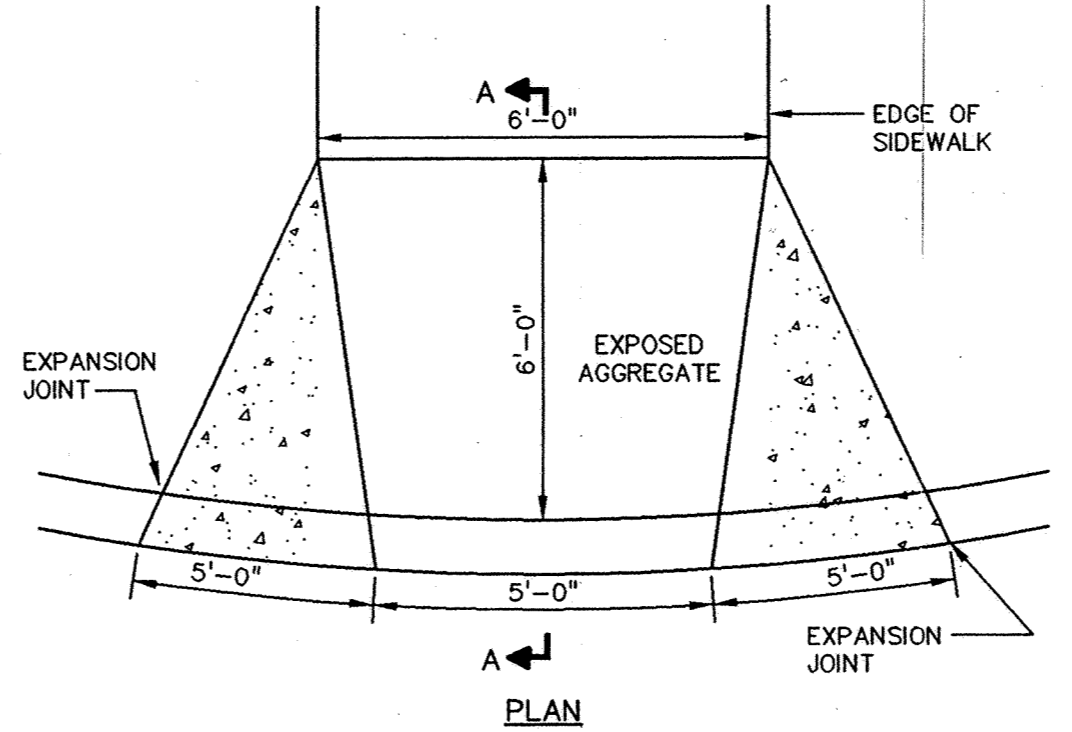


TYPE I BARRICADE W/O FLASHER

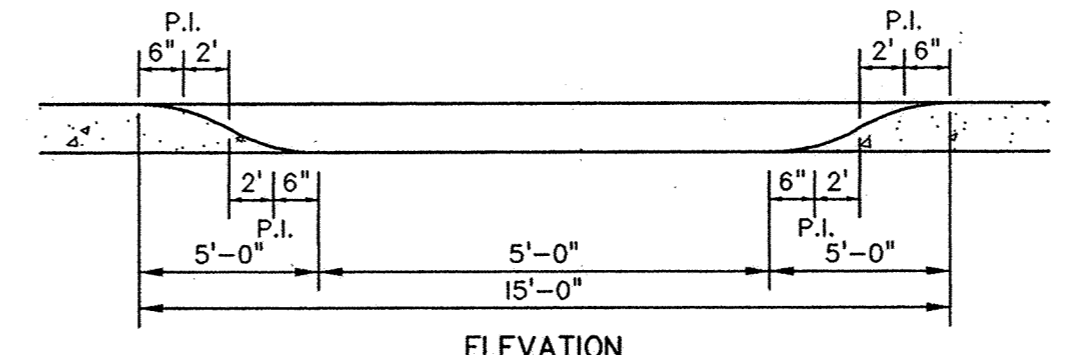


TYPE III BARRICADE

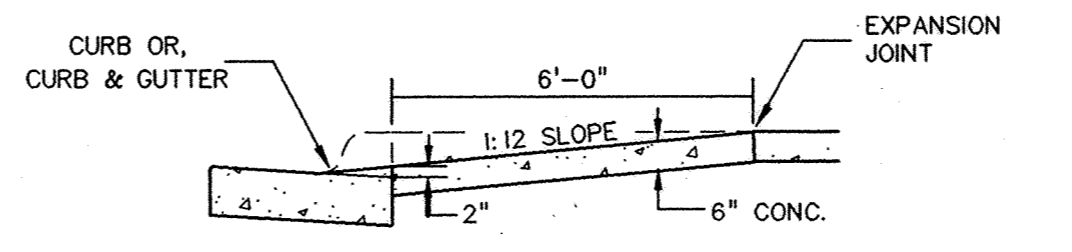
STANDARD BARRICADES (R-16)



PLAN

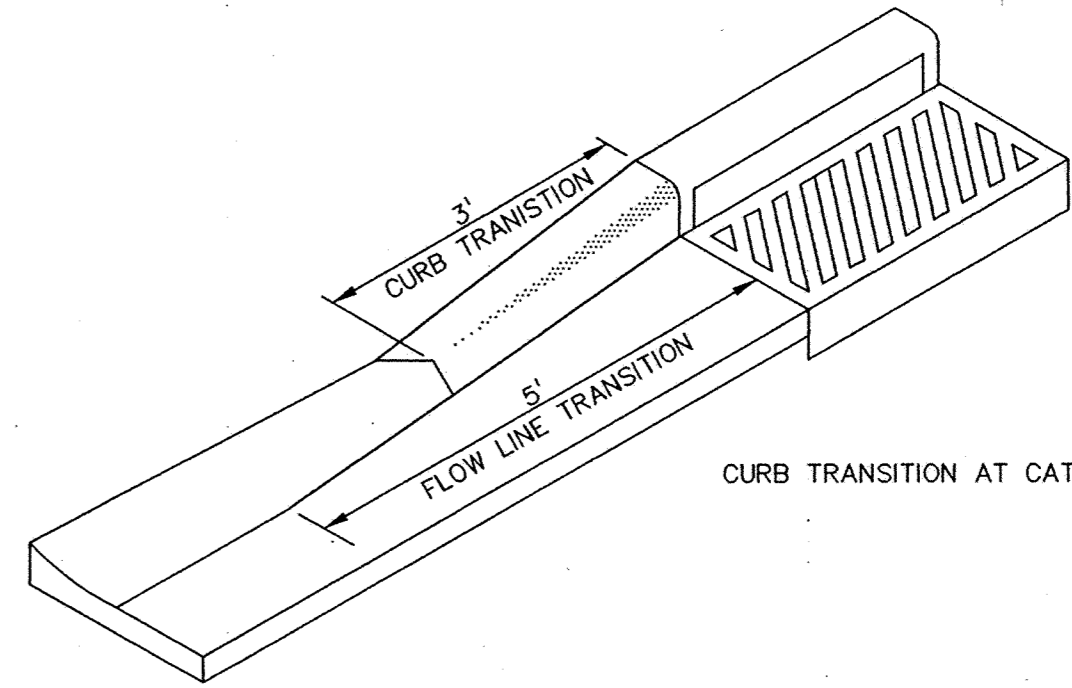


ELEVATION



SECTION A-A

PEDESTRIAN CURB RAMP (R-11)



CURB TRANSITION AT CATCH BASIN

CONCRETE CURB TRANSITION TO CATCH BASIN (R-04)