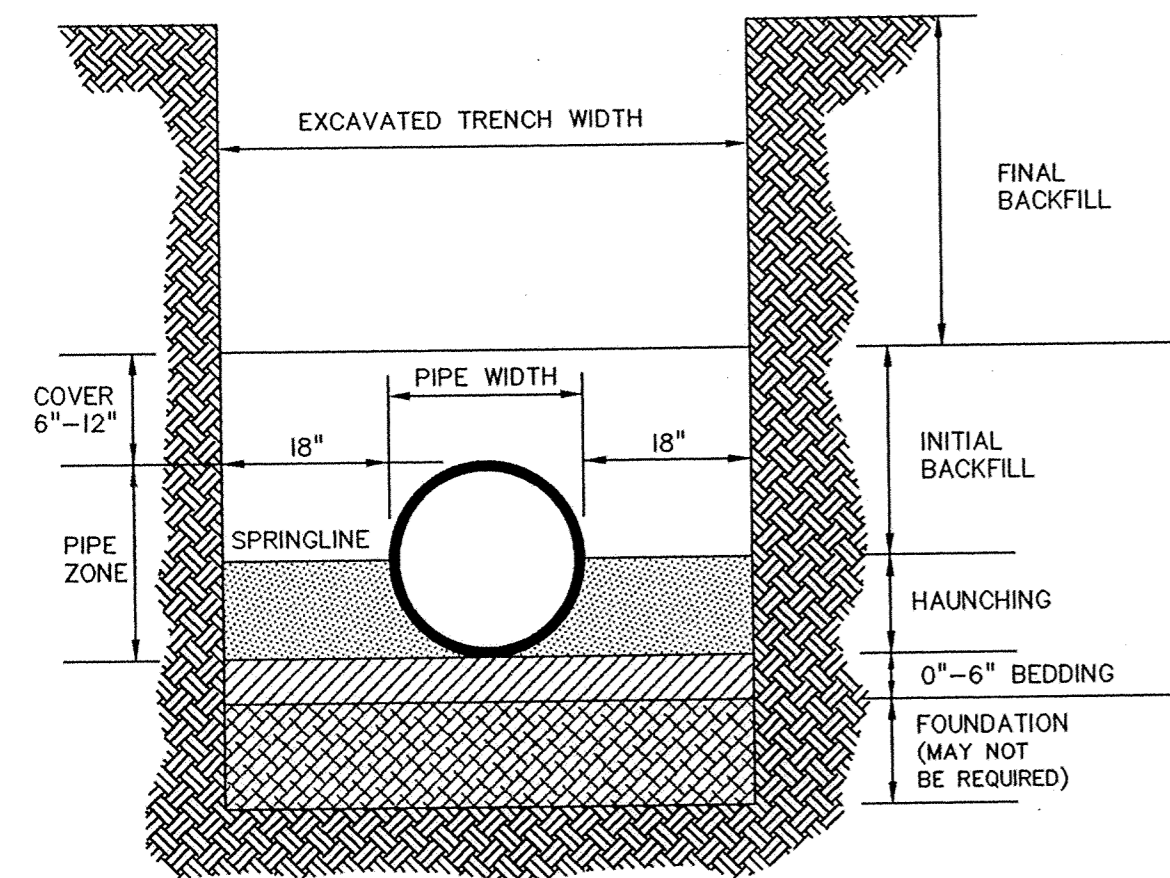
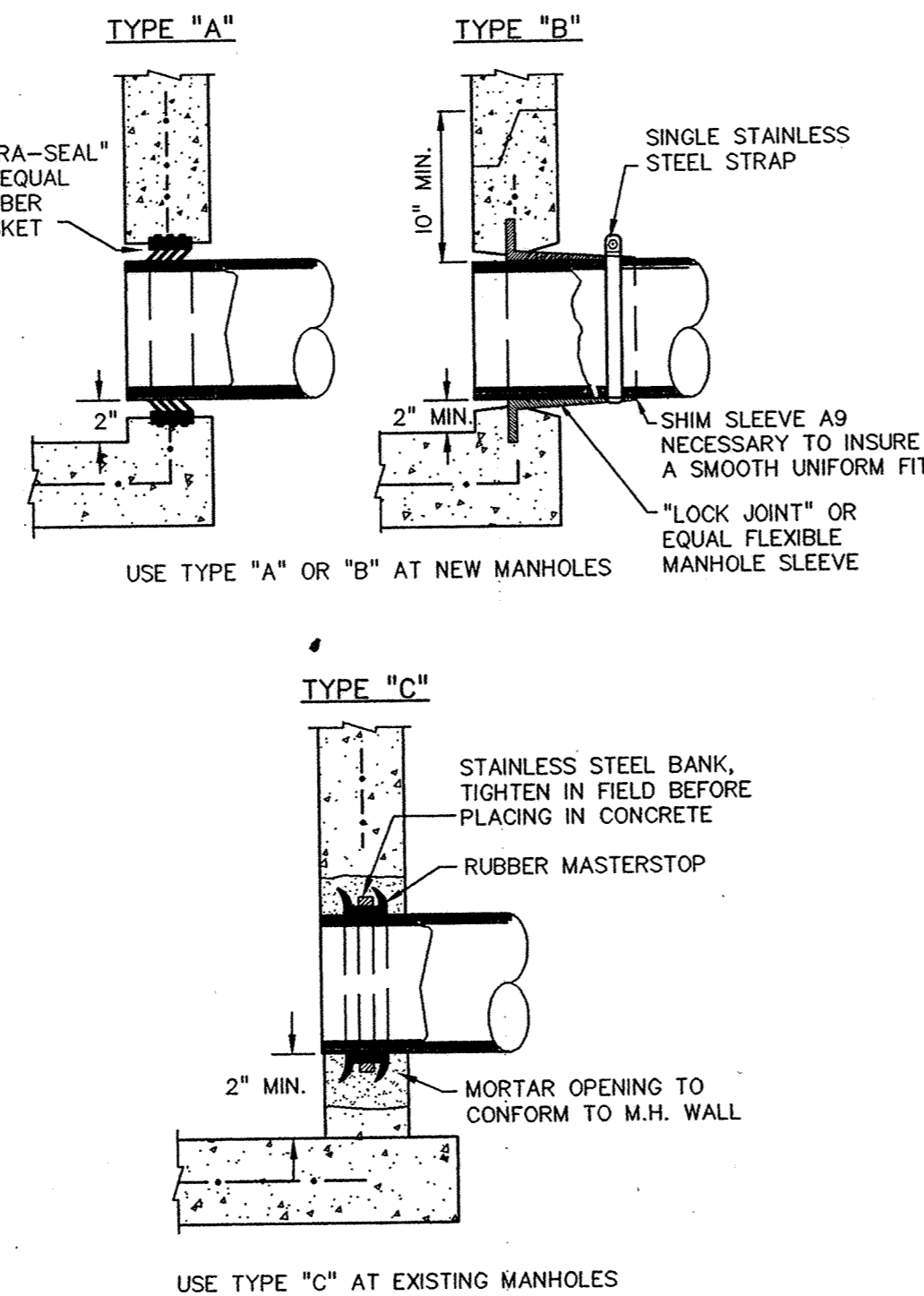


RECORD DRAWINGS

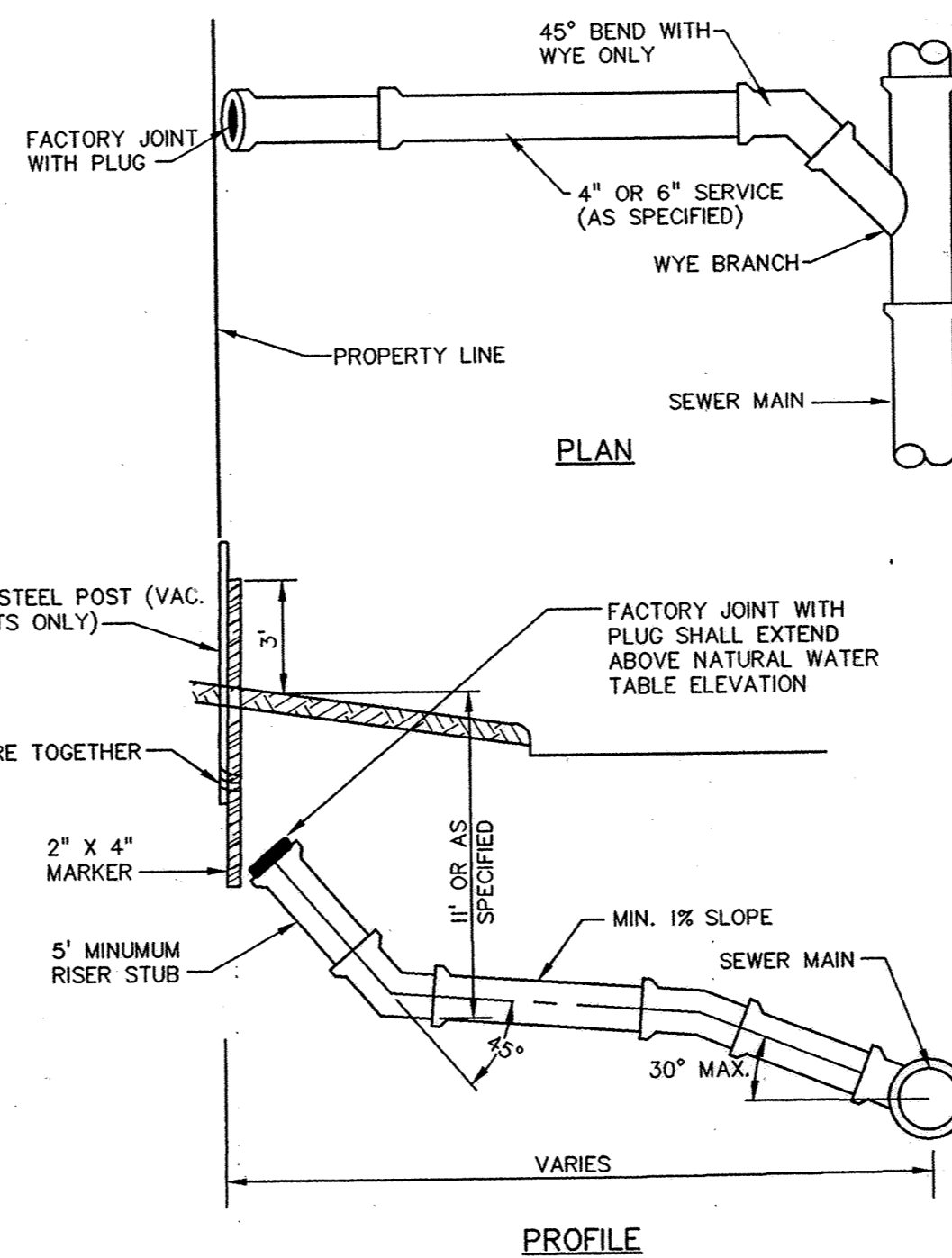


NOTE:
PIPE BEDDING SHALL CONFORM TO ASTM D-2321 "RECOMMENDED PRACTICE FOR UNDERGROUND INSTALLATION OF FLEXIBLE THERMOPLASTIC SEWER PIPE" EXCEPT PIPE EMBEDMENT MATERIAL SHALL BE CLASS I OR CLASS II WITH 100% PASSING A 3/4 INCH SIEVE AND NOT MORE THAN 10% PASSING A No. 200 SIEVE.

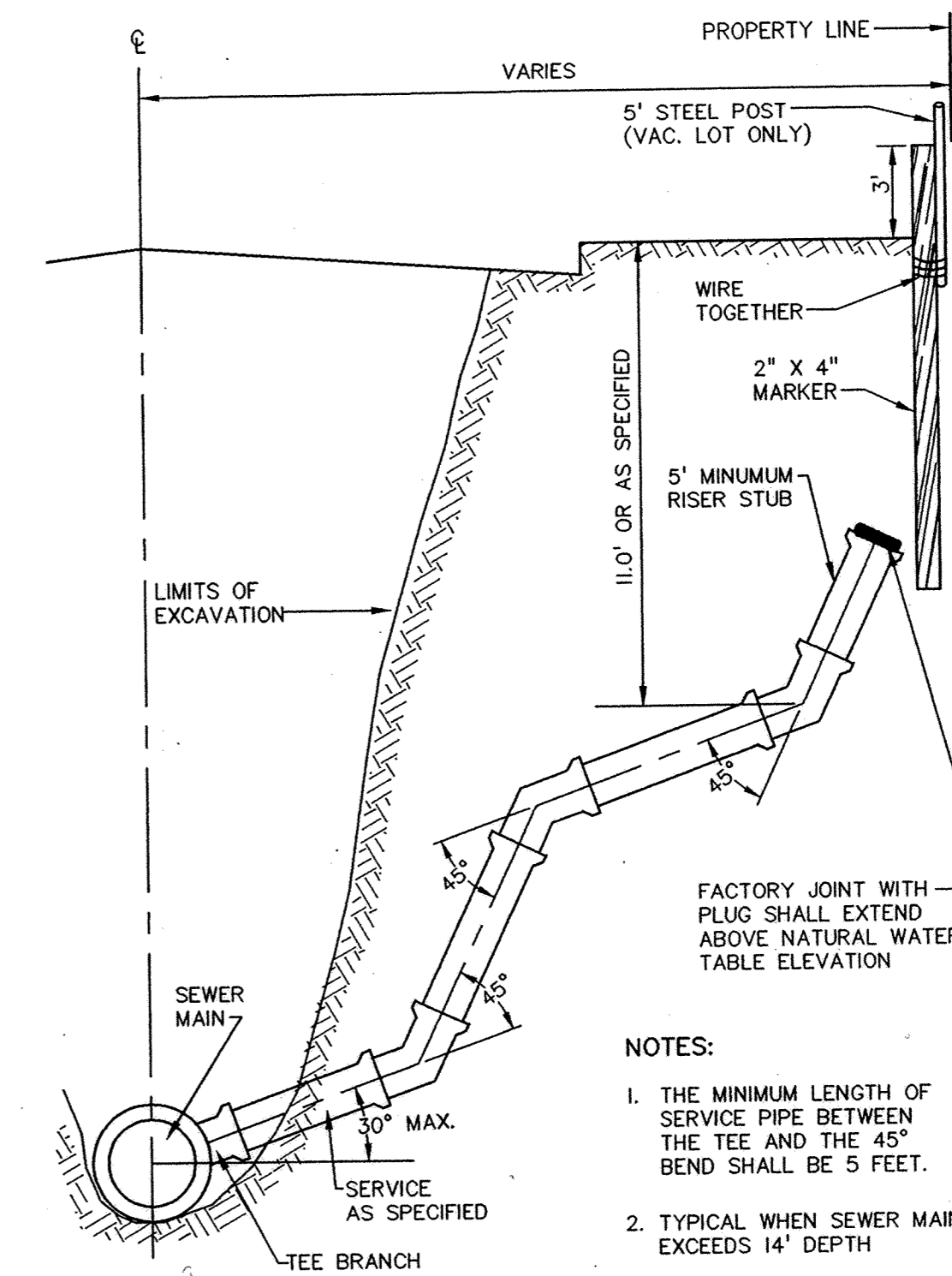
PLASTIC PIPE BEDDING (S-08)



TYPICAL PIPE TO MANHOLE CONNECTIONS (S-SP-07)



TYPICAL HOUSE SERVICE (STD. DEPTH SEWER MAIN) (S-03)



TYPICAL HOUSE SERVICE (DEEP SEWER MAIN) (S-04)

PRIME CONTRACTOR/UTILITIES: C. W. HOULE, INC.
CURB & GUTTER: HALVORSON CONCRETE, INC.
STREETS: BAUERLY BROS., INC.
INSPECTION: STEVE TORGESON, HOWARD R. GREEN CO.
SURVEY: JOHN OLIVER & ASSOCIATES, INC.
EARTHWORK: SOIL-CON, INC.
RECORD DRAWINGS: FRED FRITSCHER, JOHN OLIVER & ASSOCIATES, INC.
CONSTRUCTED: 2000

John Oliver & Associates, Inc.
Civil Engineering, Land Surveying, Land Planning
500 Dodge Avenue
P.O. Box 477
Mankato, Minnesota
(612)441-2072 (FAX) 441-5665
201 W. Travelers Trail, Suite 200
Burnsville, MN 55337
(612)894-3045 (FAX) 894-3049

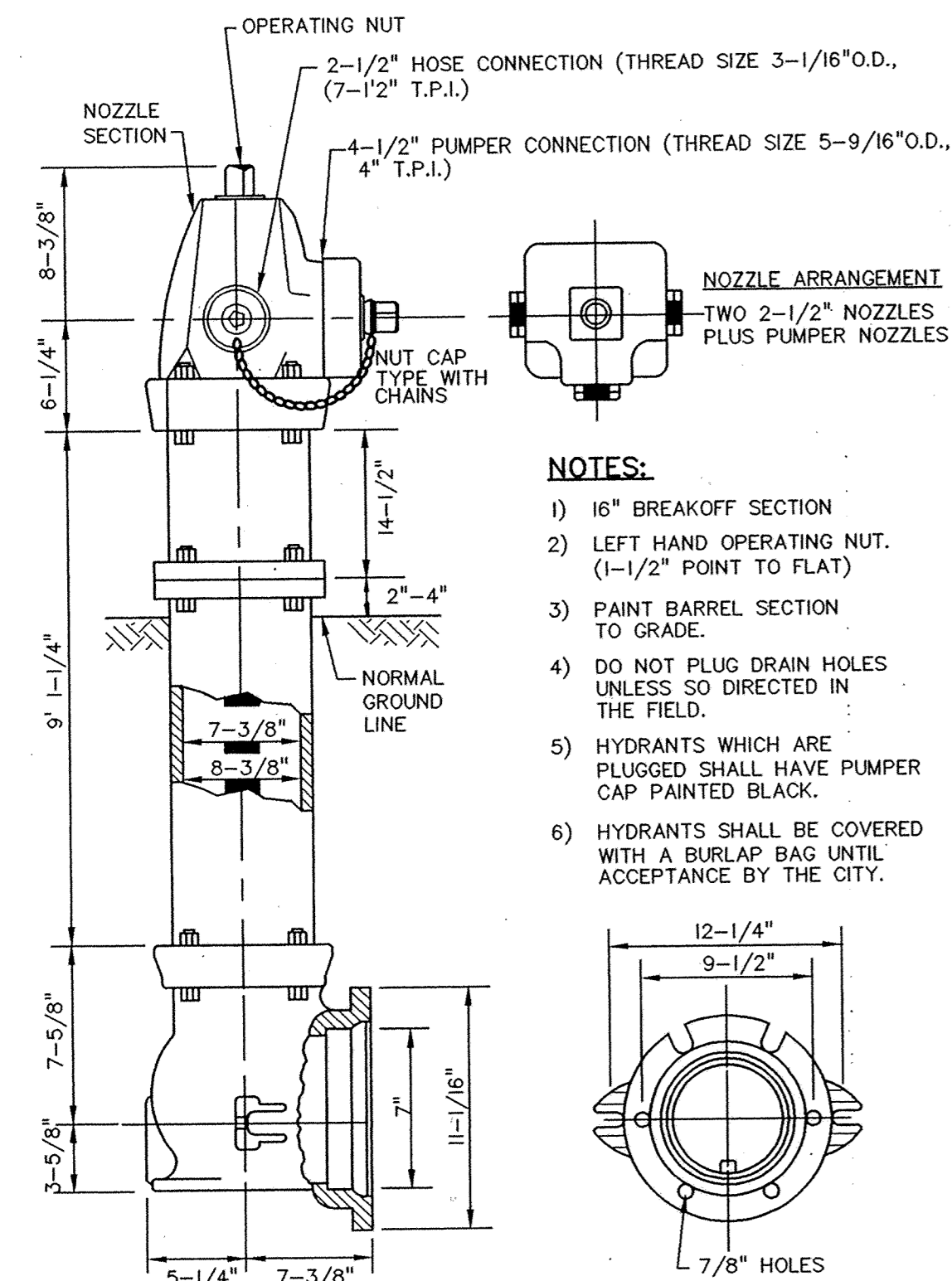
LAFAYETTE WOODS
FOURTH ADDITION
ELK RIVER, MN
WINDSOR DEVELOPMENT L.L.P.
DETAILS

SHEET NO. 6 OF 7

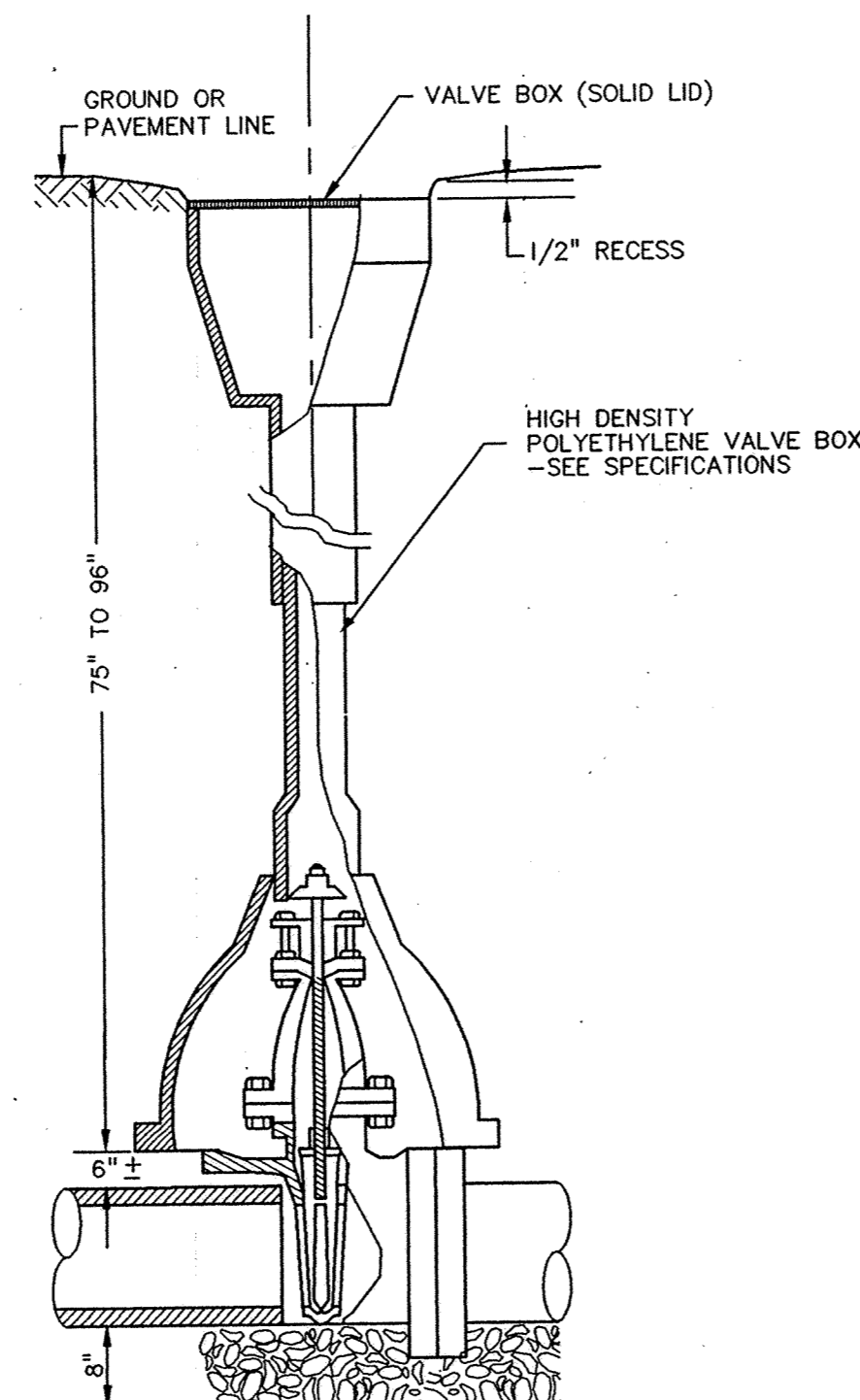
REV. NO.	DATE	DESCRIPTION
1	9/2/99	CITY COMMENTS
2	3/24/01	RECORD DRAWINGS

DATE: 5/2/99
DESIGNED BY: JB
DRAWN BY: BG
CHECKED BY: JB
DWG FILE: 6-PPDEL.
TEXT FILE: NONE
FILE NO.: 702L40-03

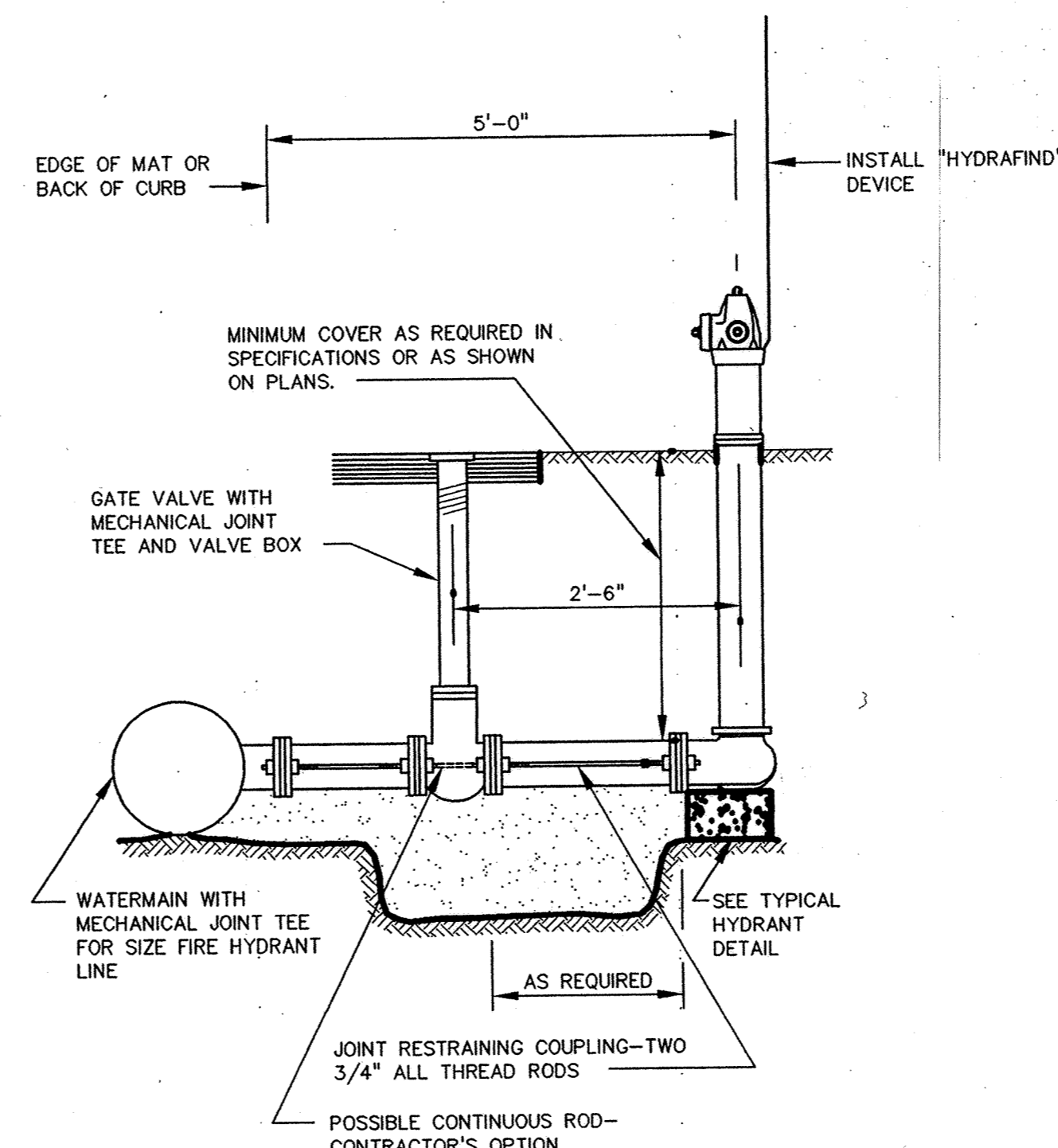
Signed: *John C. Smith* Reg. No. 14960
Date: 5/2/99



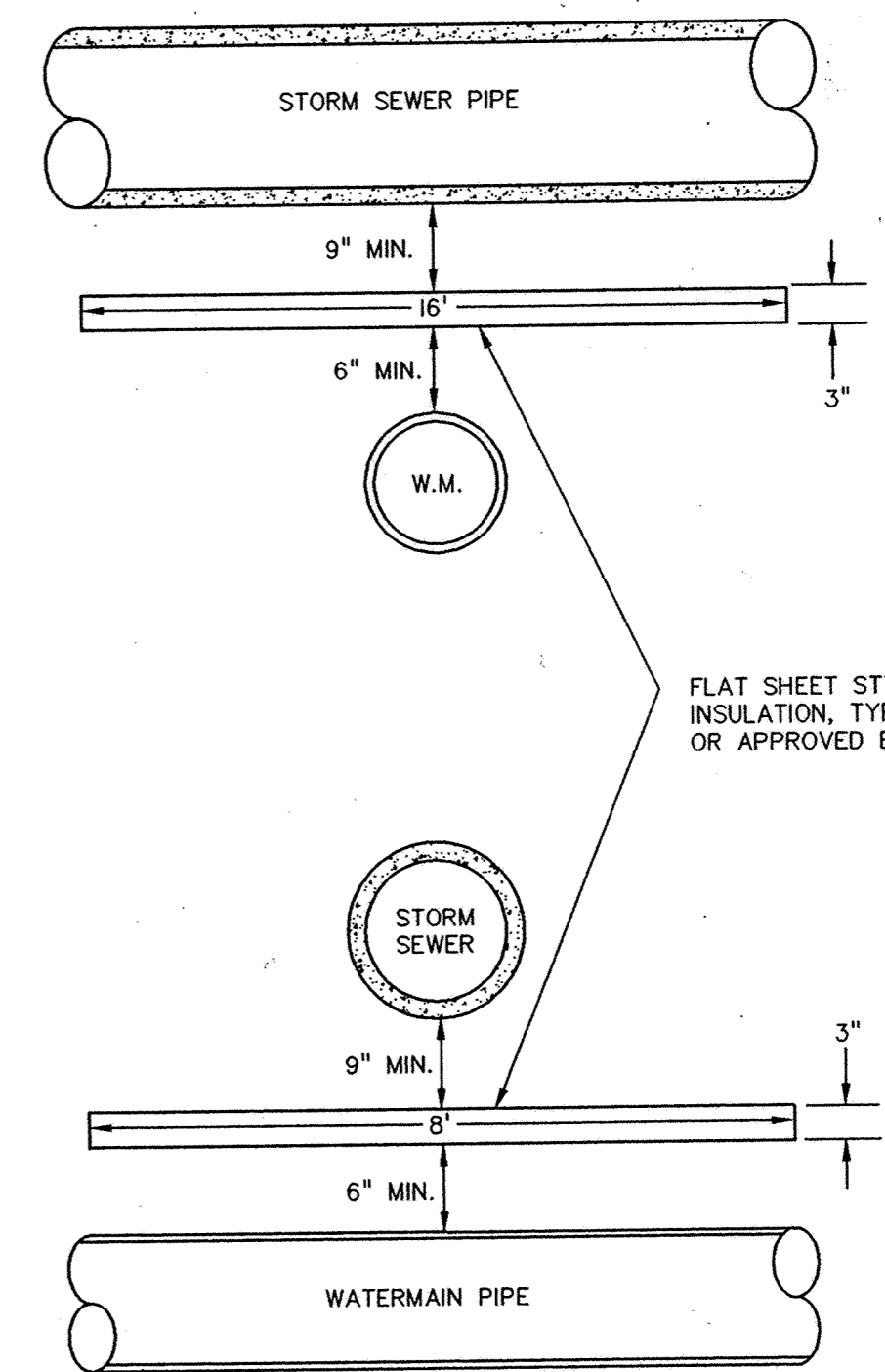
PACER TRAFFIC FLANGE HYDRANT (W-01)



GATE VALVE AND BOX INSTALLATION (W-SP-06)



RODDING DETAIL



TYPICAL WATERMAIN INSULATION (W-06)