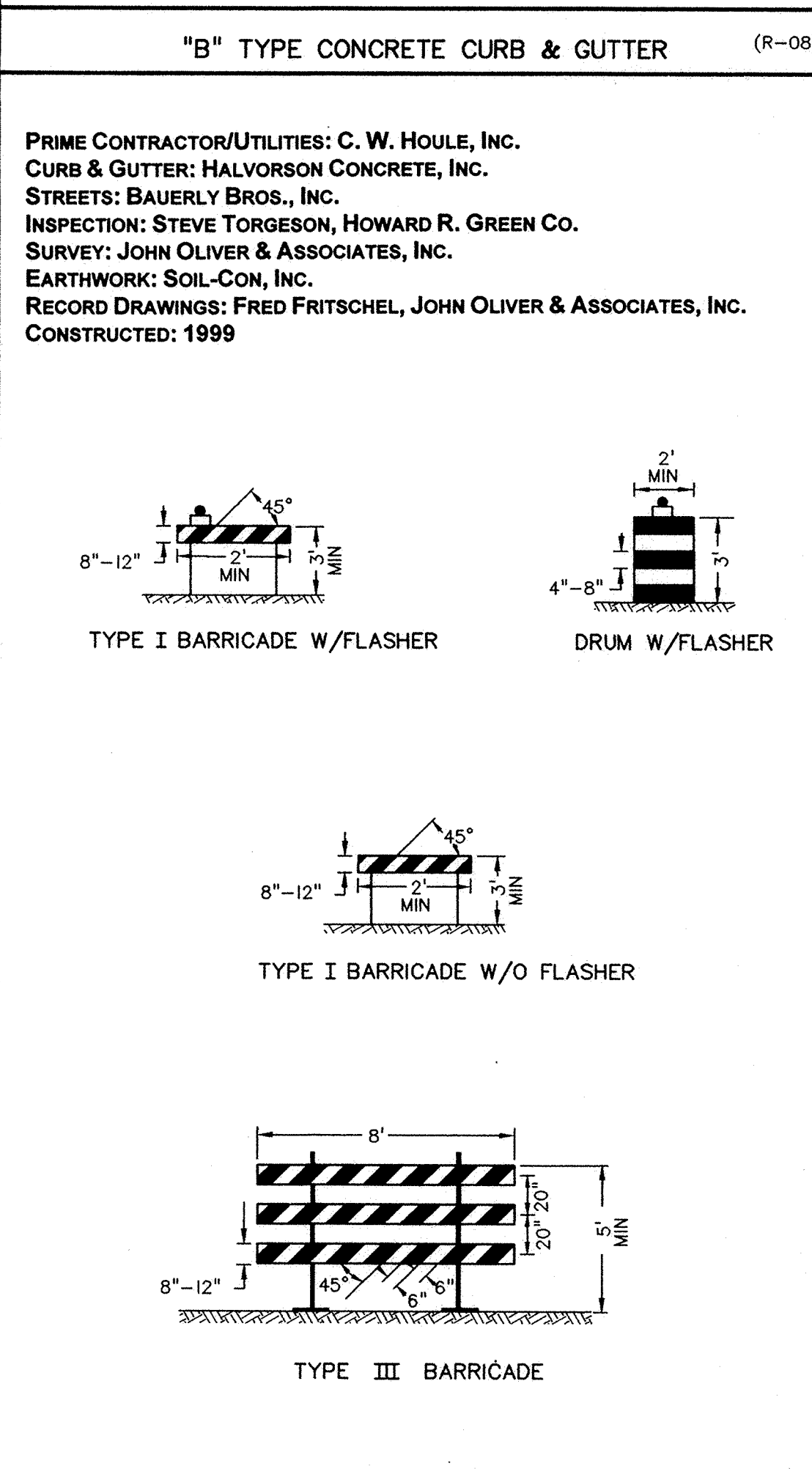
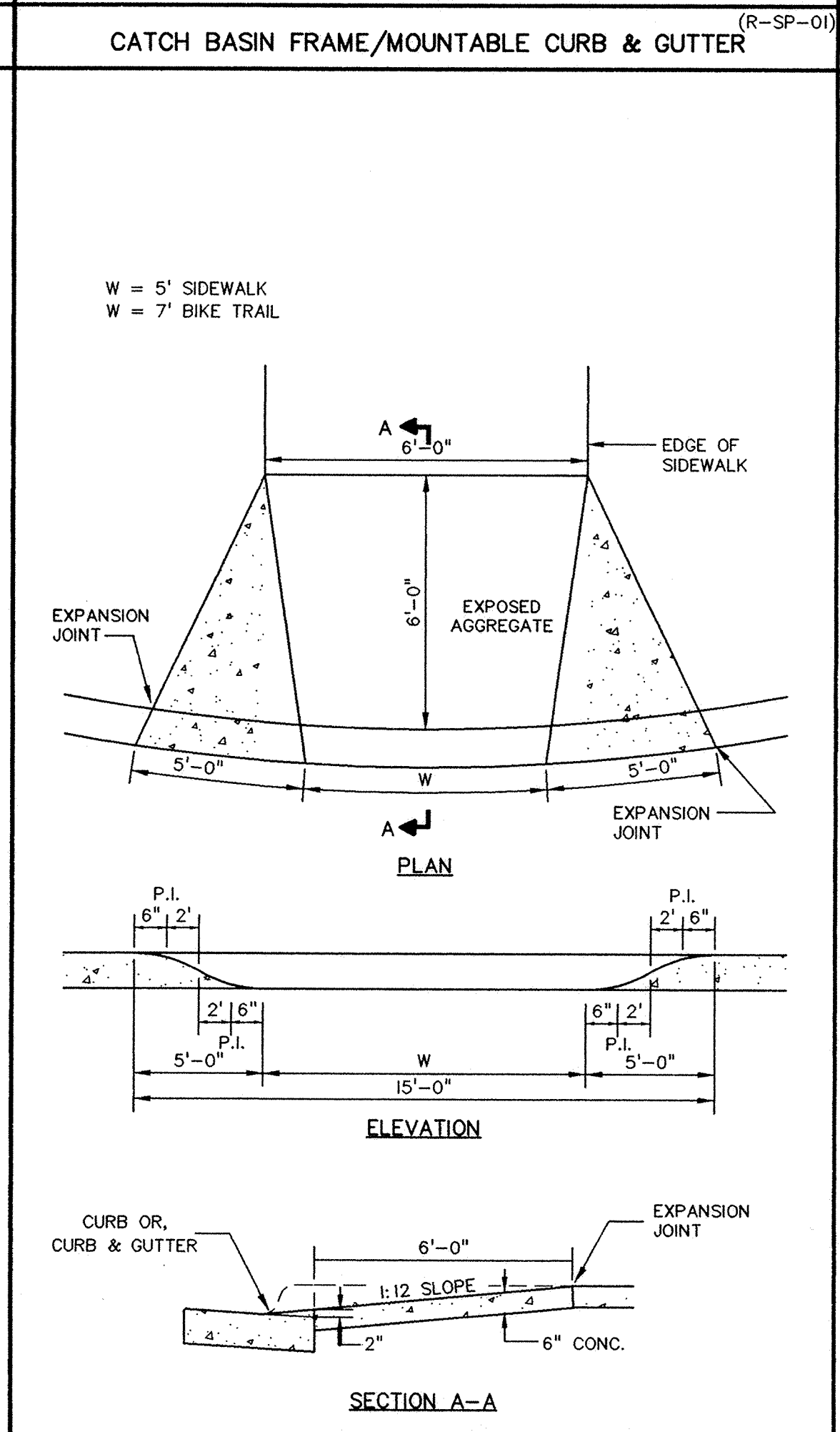
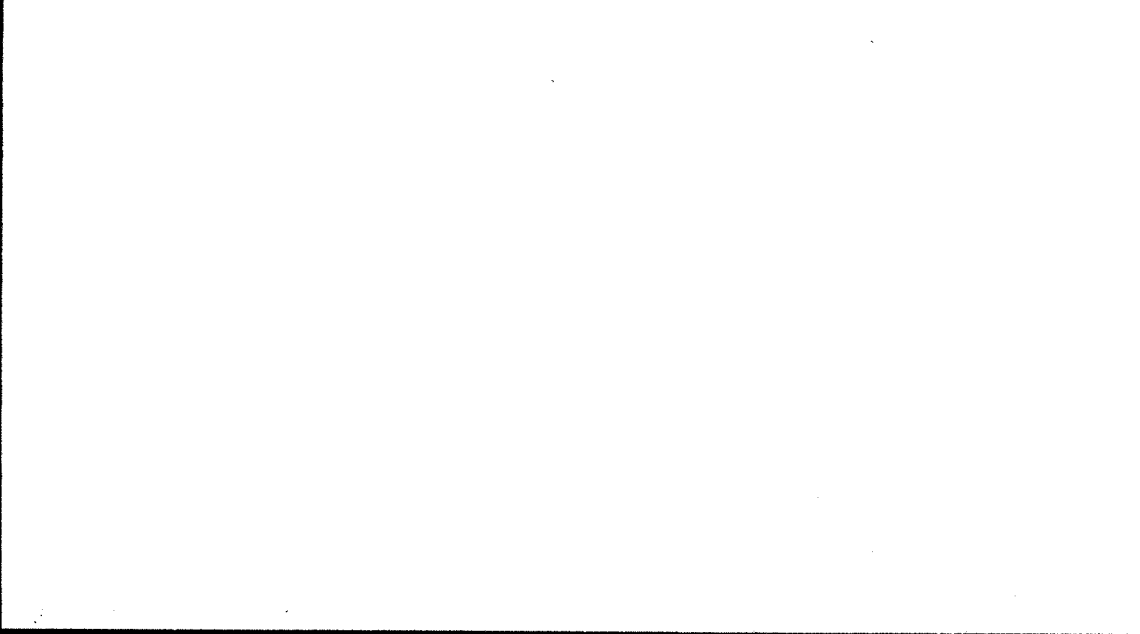
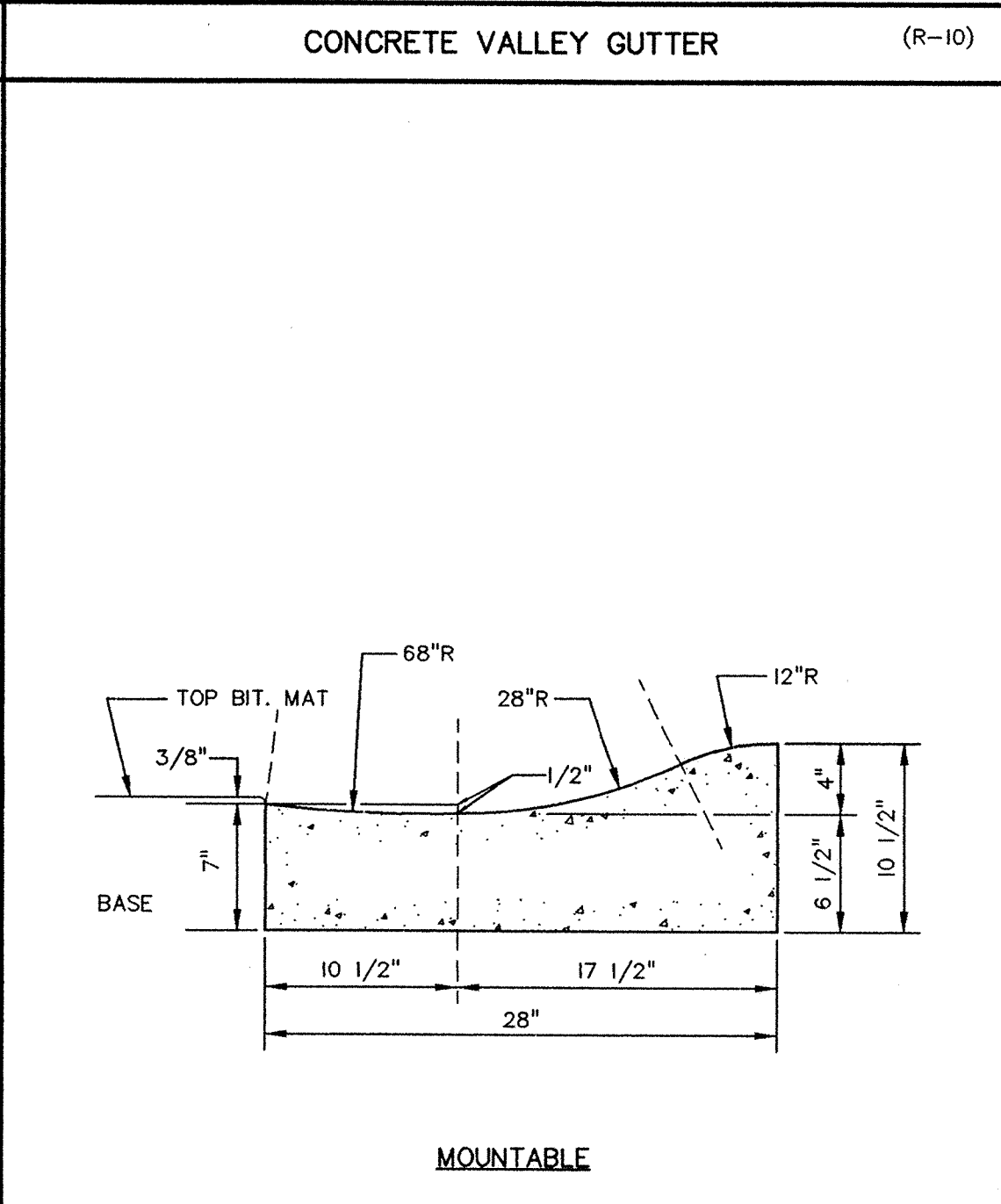
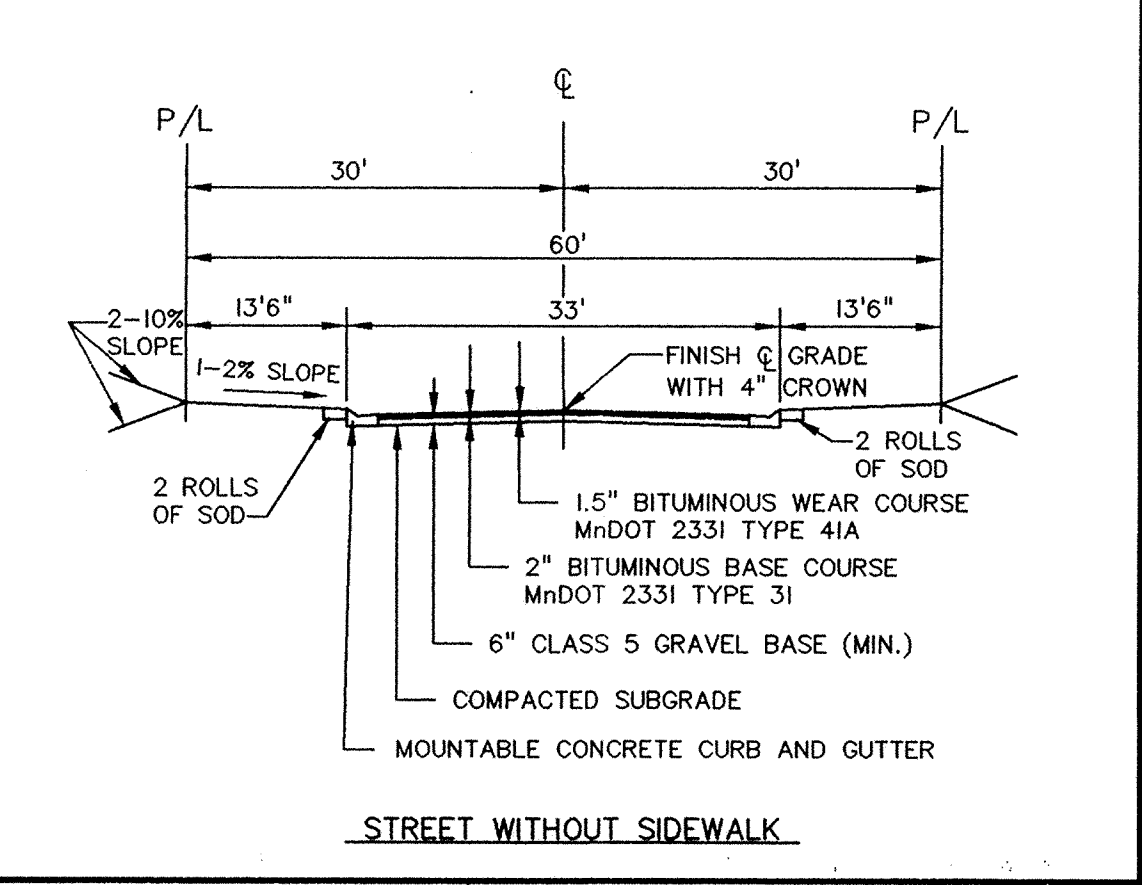
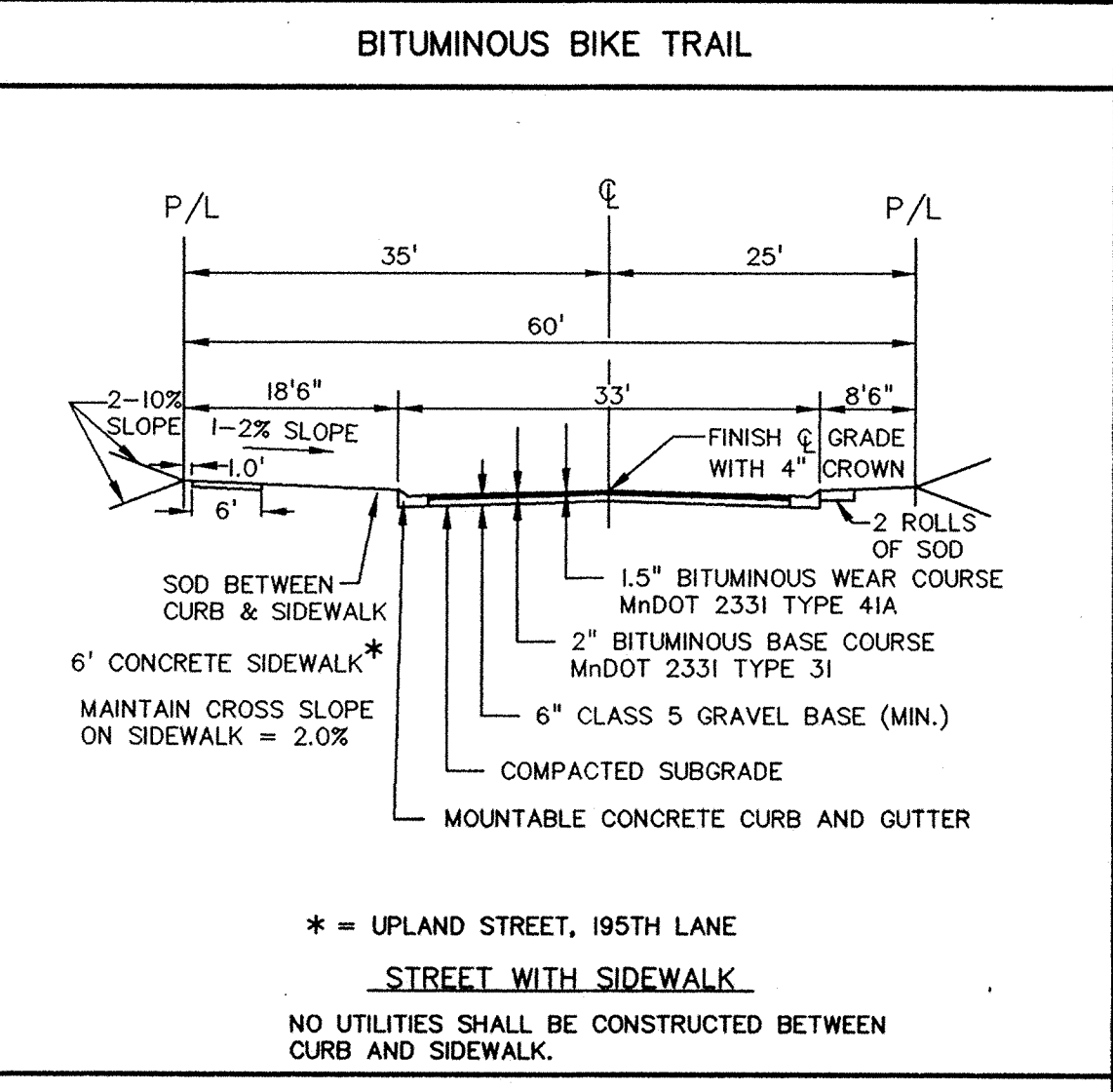
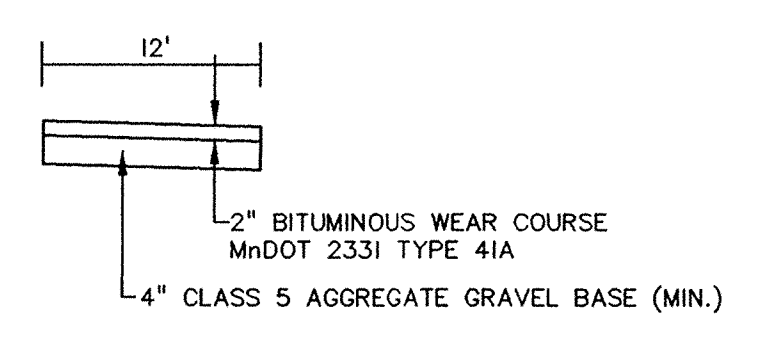
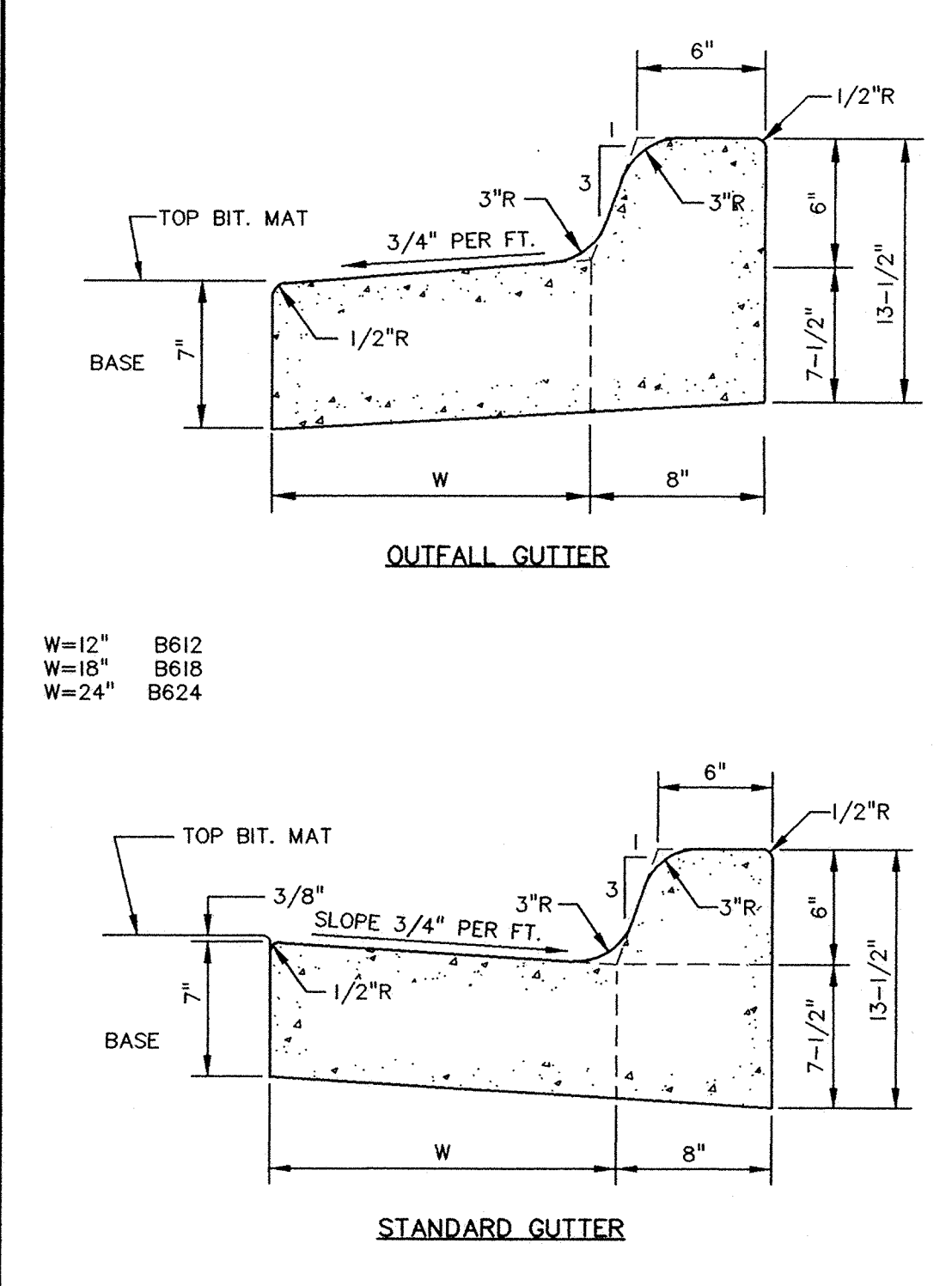
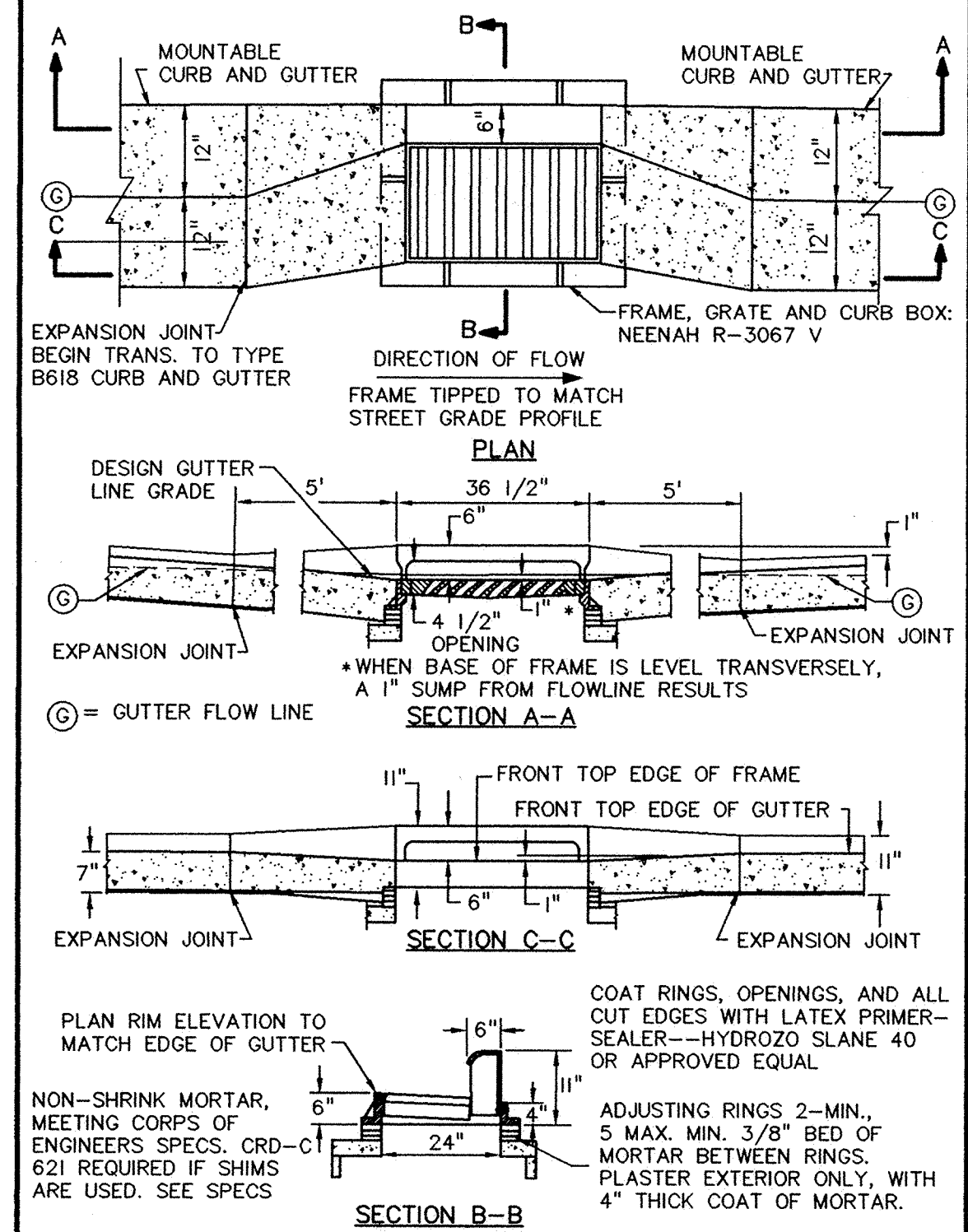
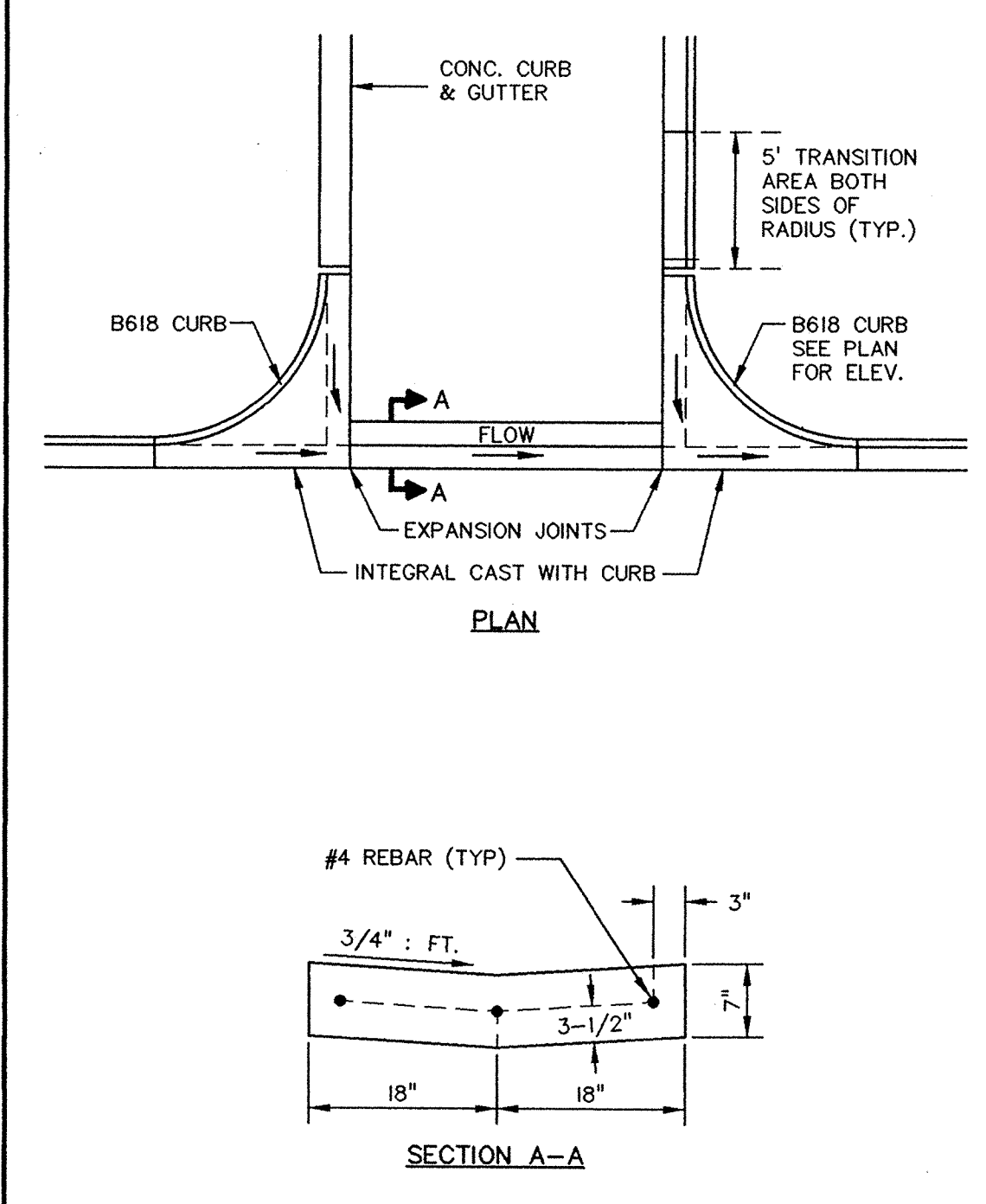


RECORD DRAWINGS



REV. NO.	DATE	DESCRIPTION
1	2/3/99	CHANGED FROM 4TH TO 3RD
2	1/5/00	RECORD DRAWINGS

DATE:	10/31/97
DESIGN BY:	JB
DRAWN BY:	BC
CHECKED BY:	JB
DWG FILE:	8-PPDET.
TEXT FILE:	NONE
FILE NO.:	7024-40-03

I hereby certify that this plan was prepared by me or under my direct supervision and that I am a duly Registered Professional Engineer under the laws of the State of Minnesota.

Signed: *John Oliver* Reg. No. 14960
Date: 2/3/99

John Oliver & Associates, Inc.
Civil Engineering, Land Surveying, Land Planning
560 Dodge Avenue
Elk River, Minnesota
(612)441-2072 (FAX)441-5665

201 W. Travelers Trail, Suite 200
Burnsville, MN 55337
(612)894-3045 (FAX)894-3049

**LAFAYETTE WOODS
THIRD ADDITION
ELK RIVER, MN
WINDSOR DEVELOPMENT L.L.P.
DETAILS**

SHEET NO. 8 OF 8

SAFCO PRODUCTS • NEW HOPE, MINNESOTA
REORDER BY PART NUMBER 8552