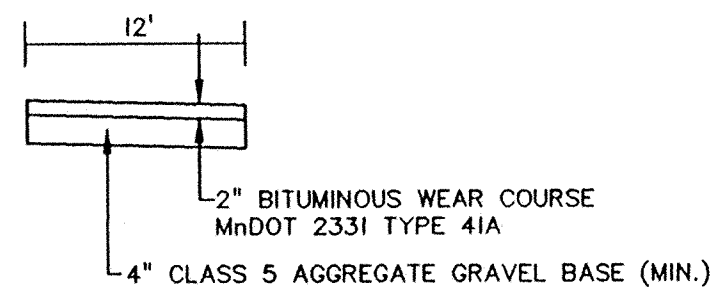
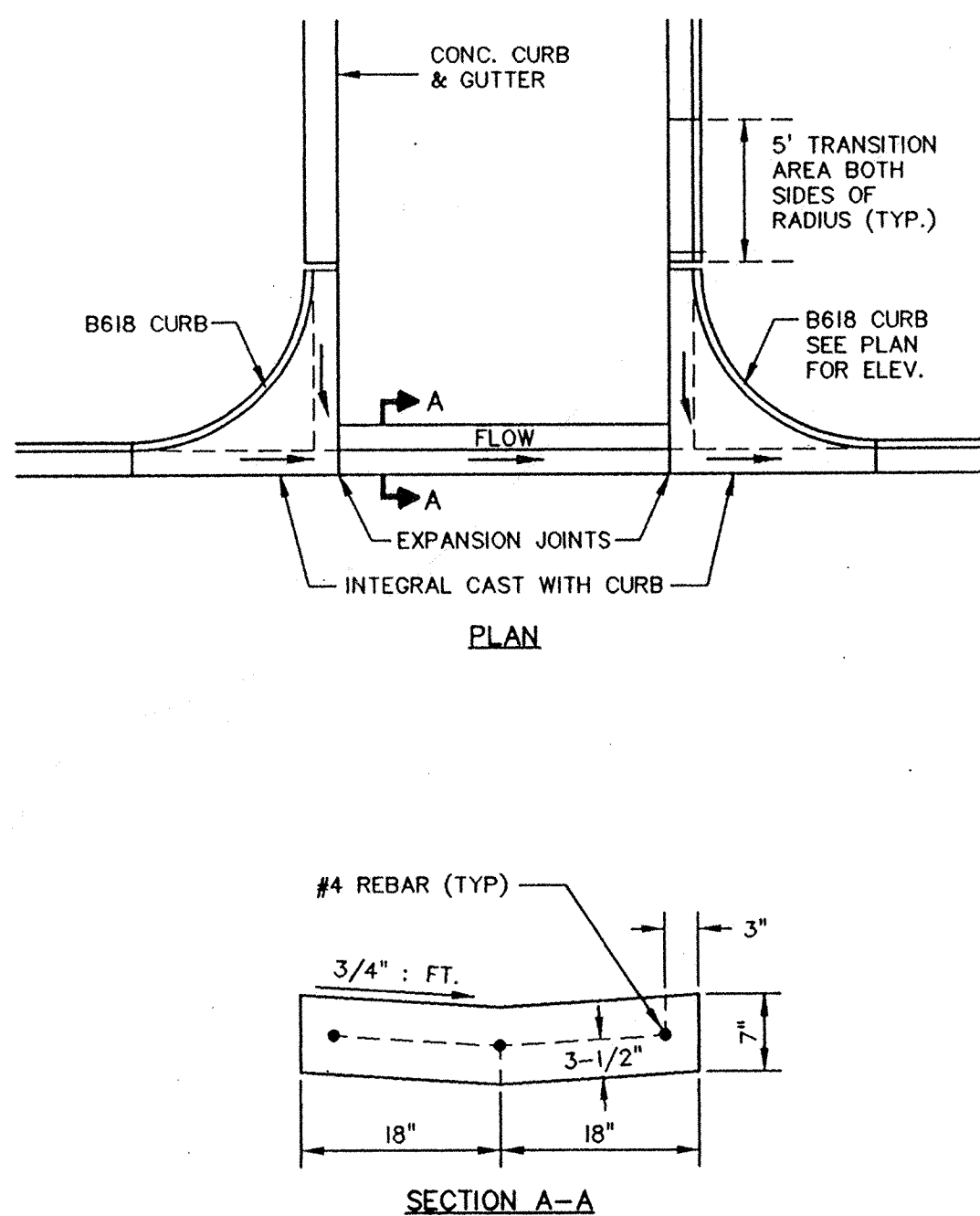


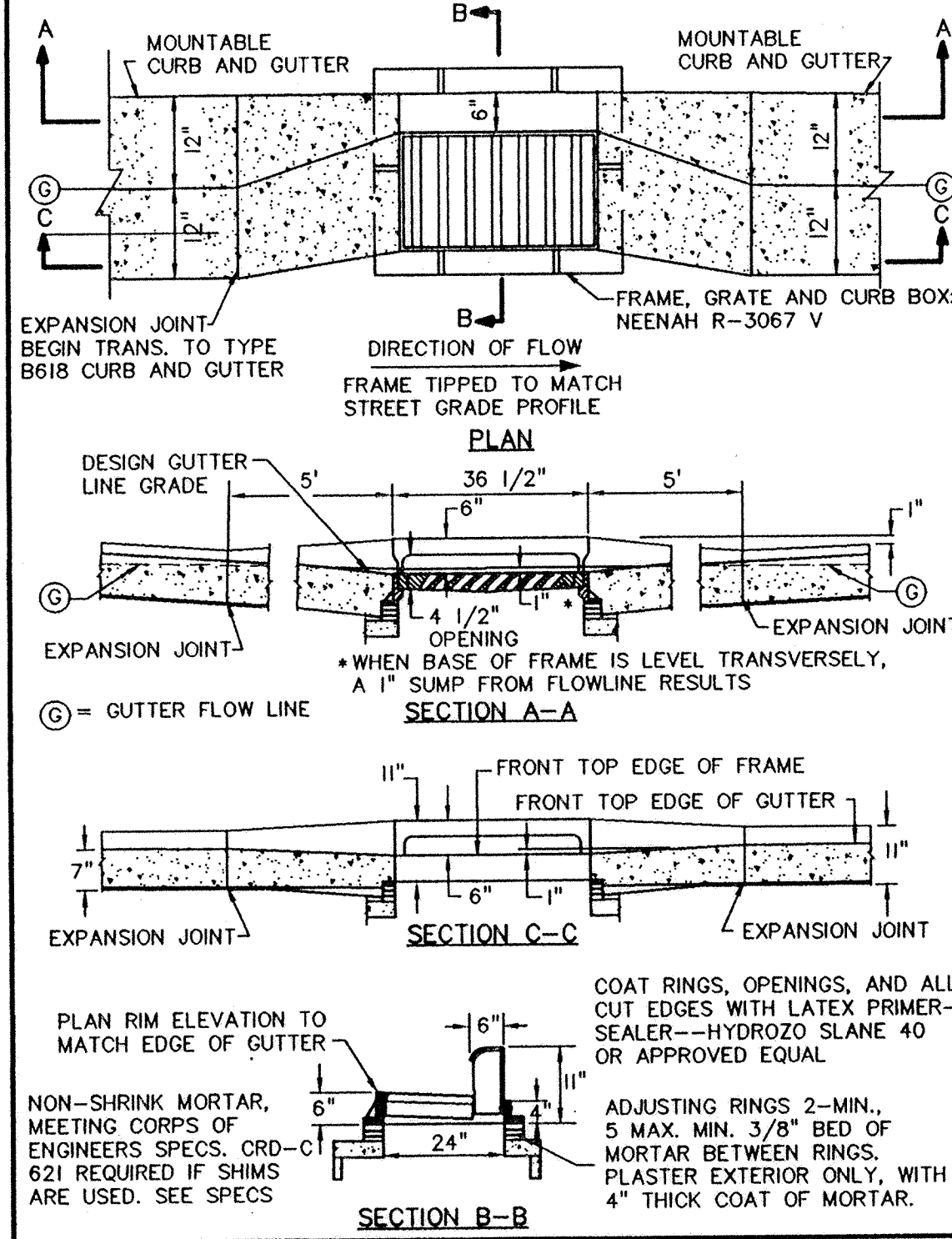
# RECORD DRAWINGS



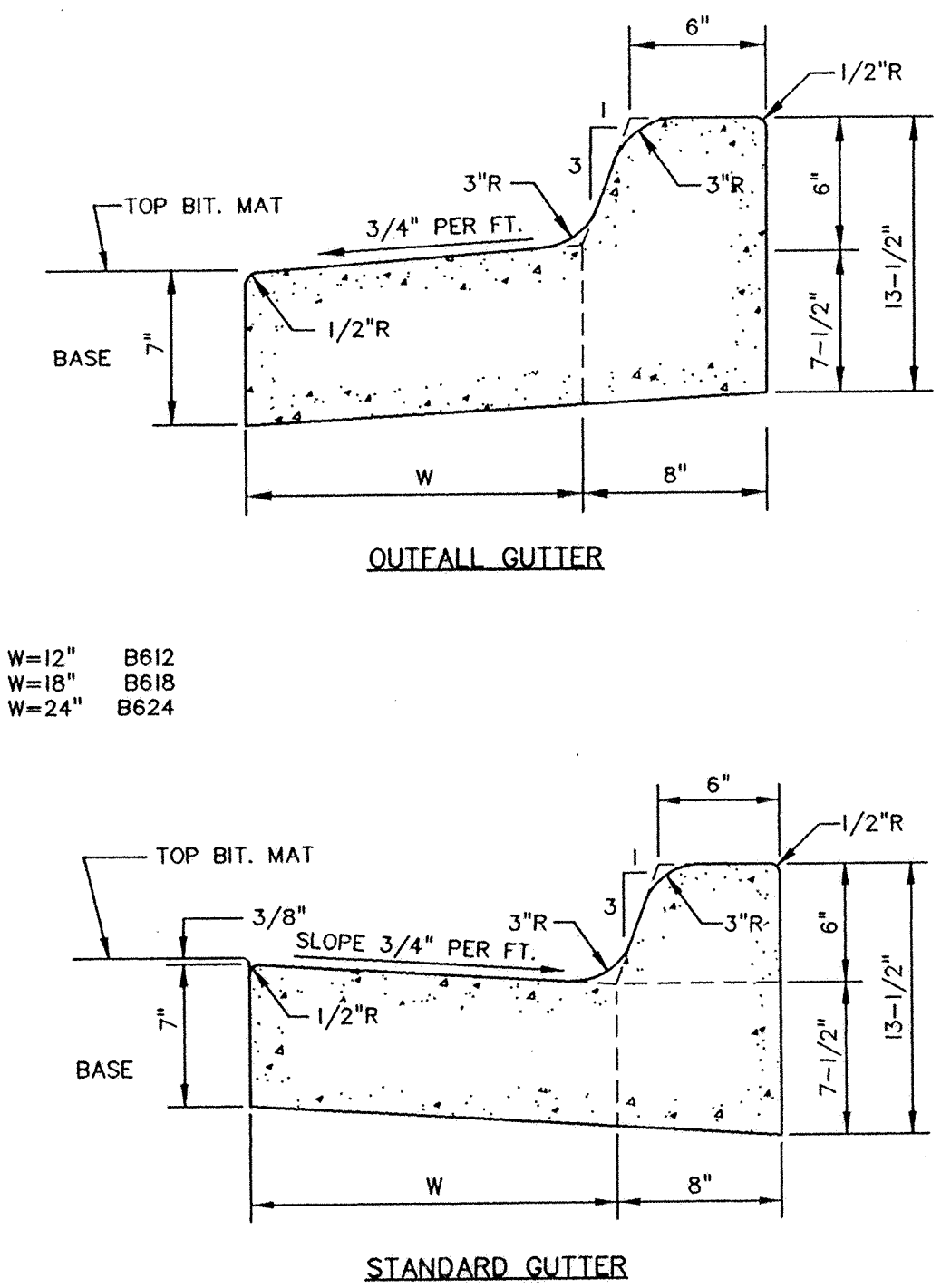
BITUMINOUS BIKE TRAIL



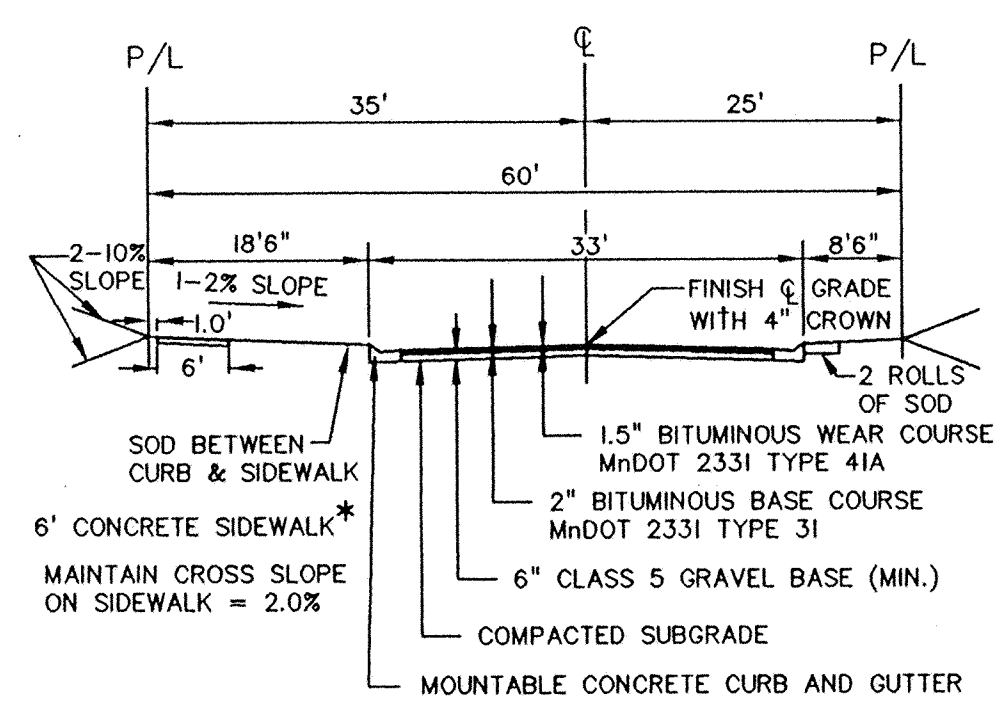
CONCRETE VALLEY GUTTER (R-10)



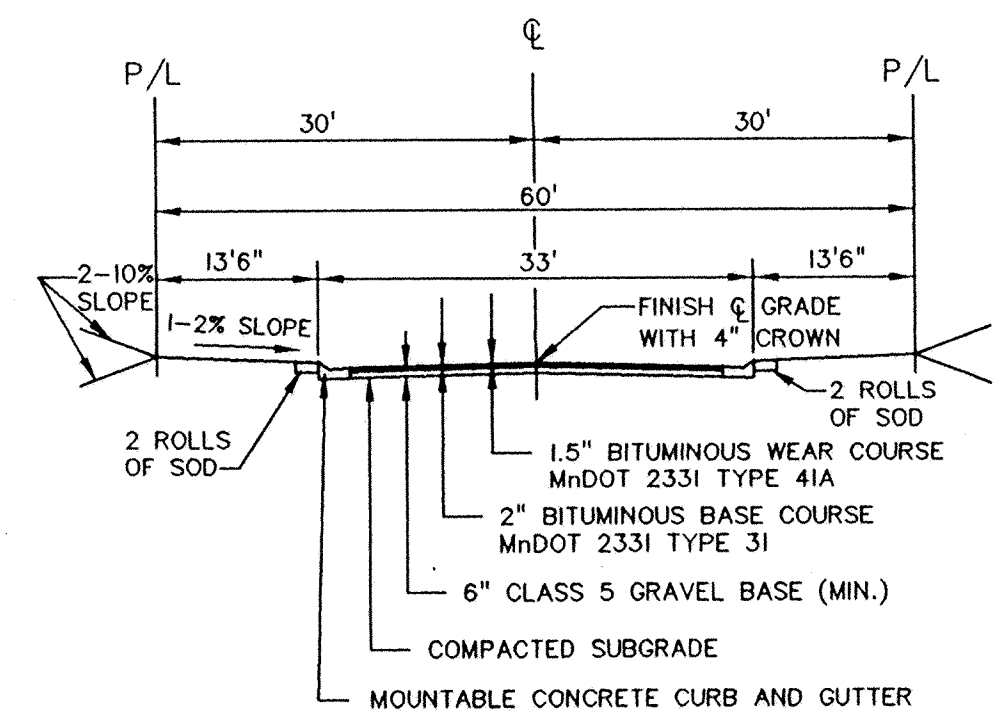
CATCH BASIN FRAME/MOUNTABLE CURB & GUTTER (R-SP-01)



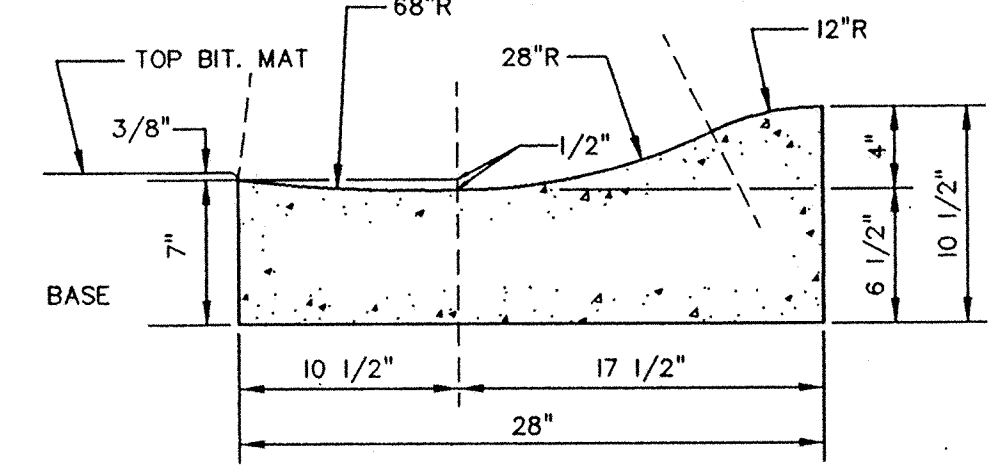
"B" TYPE CONCRETE CURB & GUTTER (R-08)



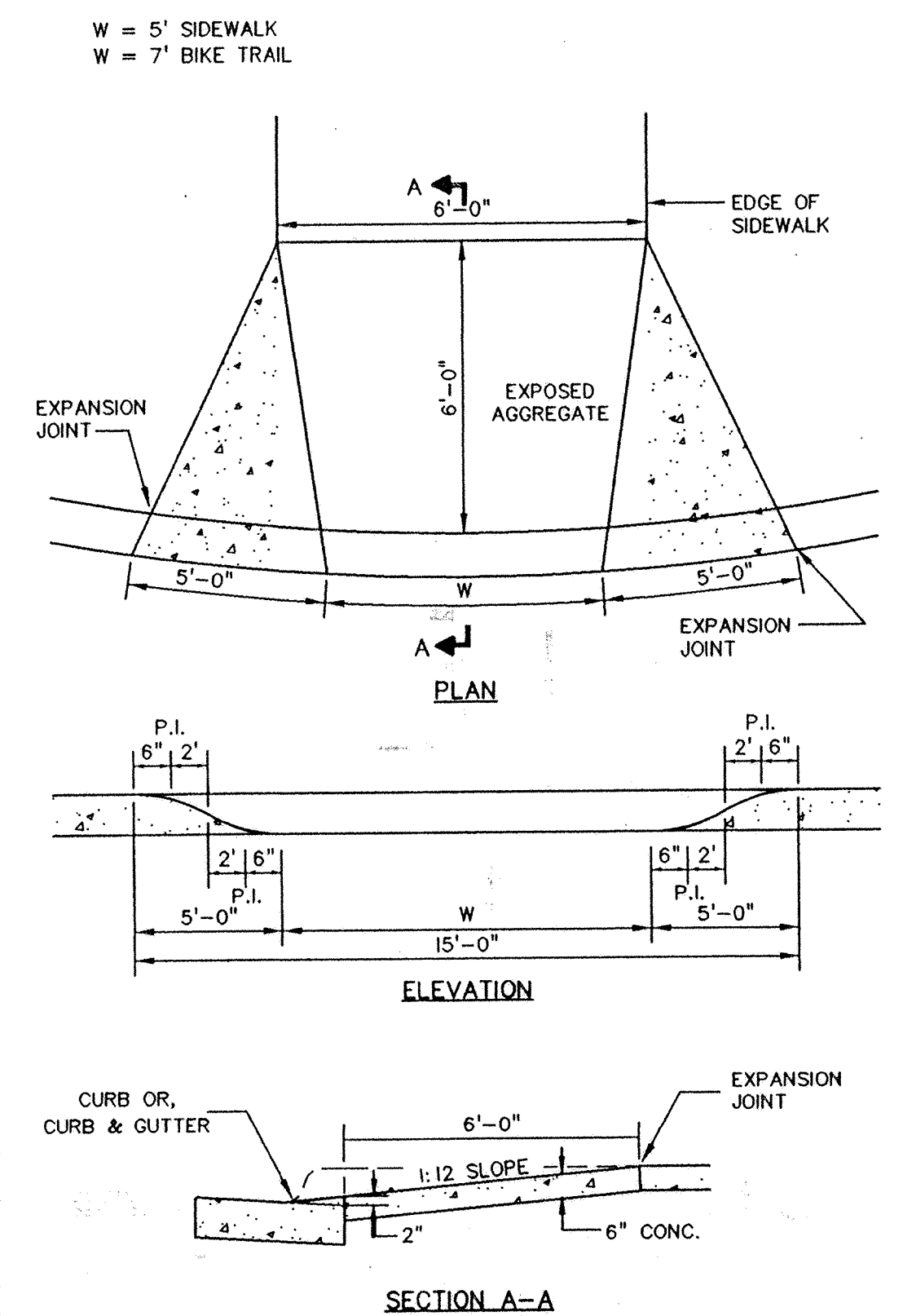
\* = UPLAND STREET, 195TH LANE  
STREET WITH SIDEWALK  
NO UTILITIES SHALL BE CONSTRUCTED BETWEEN CURB AND SIDEWALK.



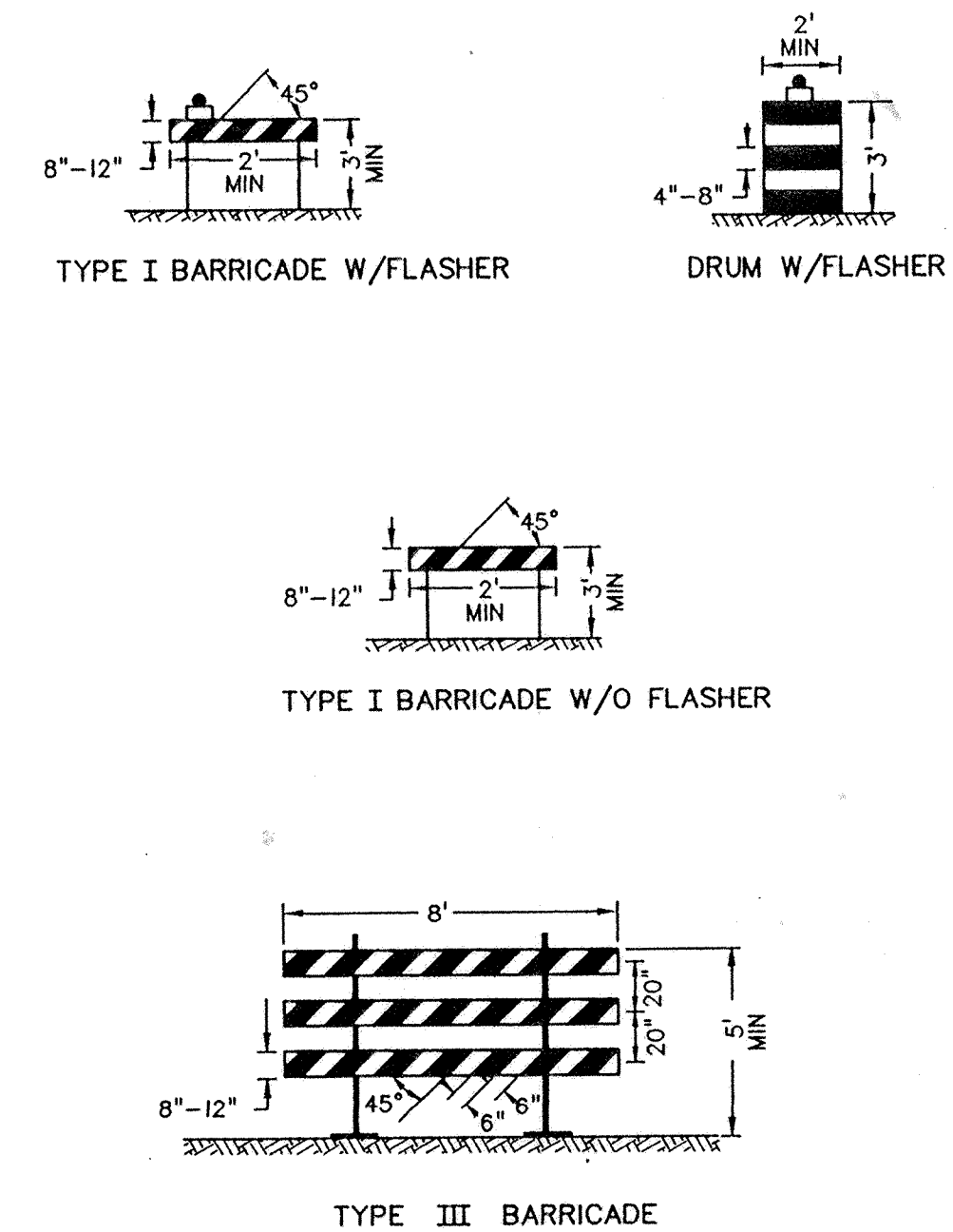
TYPICAL STREET SECTION



MOUNTABLE CONCRETE CURB & GUTTER (R-06)



PEDESTRIAN CURB RAMP (R-11)



STANDARD BARRICADES (R-16)

PRIME CONTRACTOR/UTILITIES: C.W. HOULE, INC.  
CURB & GUTTER: HALVORSON CONCRETE, INC.  
STREETS: BAUERLY BROS., INC.  
INSPECTION: HOWARD R. GREEN CO.  
SURVEY: JOHN OLIVER & ASSOCIATES, INC.  
EARTHWORK: SOIL-CON, INC.  
RECORD DRAWINGS: FRED FRITSCHEL, JOHN OLIVER & ASSOCIATES, INC.  
CONSTRUCTED: 1998

REV. NO.	DATE	DESCRIPTION
1	10/21/97	CITY COMMENTS
2	5/18/99	RECORD DRAWING

DATE: 9/26/97  
DESIGN BY: GD  
DRAWN BY: BC  
CHECKED BY: GD, JB  
DWG FILE: 9-PPDET.  
TEXT FILE: NONE  
FILE NO.: 7024.20-03

I hereby certify that this plan was prepared by me or under my direct supervision and that I am a duly Registered Professional Engineer under the laws of the State of Minnesota.  
Signed: *[Signature]*  
Date: 9/24/97 Reg. No. 14960

**John Oliver & Associates, Inc.**  
Civil Engineering, Land Surveying, Land Planning  
580 Dodge Avenue  
Elk River, Minnesota  
(612) 441-2072 (FAX) 441-5665  
201 W. Travelers Trail, Suite 200  
Burnsville, MN 55337  
(612) 894-3045 (FAX) 894-3049

LAFAYETTE WOODS  
SECOND ADDITION  
ELK RIVER, MN  
WINDSOR DEVELOPMENT L.L.P.  
DETAILS

SHEET NO. 9 OF 9