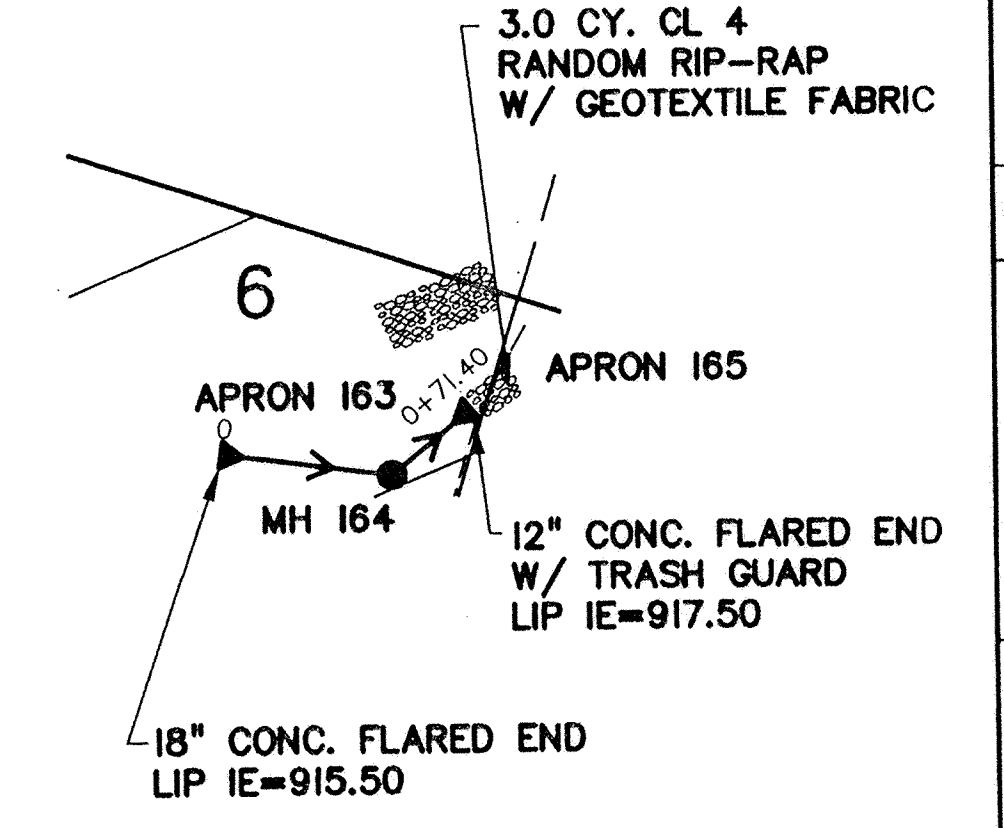
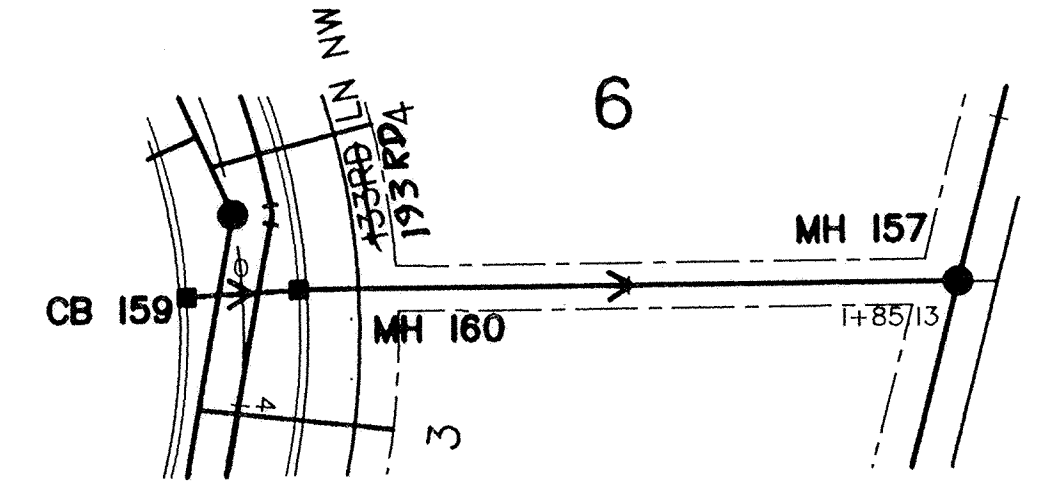
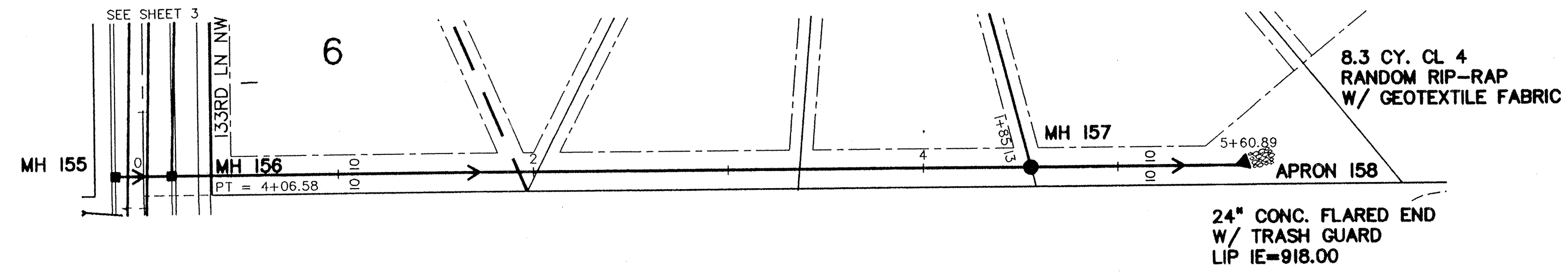
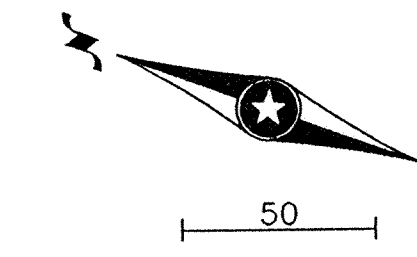
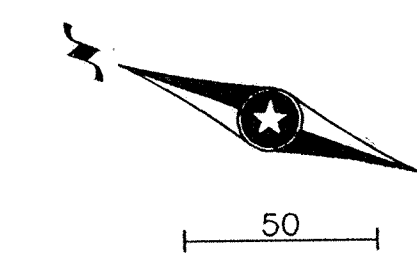


STORM EASEMENT

RECORD DRAWINGS



NOTES:

- 1) STATIONING REFERS TO STREET CENTERLINE.
- 2) DIMENSIONS TO BACK OF CURB UNLESS OTHERWISE NOTED.
- 3) TOP OF CURB ELEVATIONS ARE TO MOUNTABLE CURB SECTION.
- 4) INSTALL B618 CONCRETE CURB AND GUTTER AT CURB RETURNS. TRANSITION TO MOUNTABLE IN 5 FEET BEYOND CURB PC.
- 5) WATER SERVICES MAY BE INSTALLED IN THE SAME TRENCH PARALLEL WITH THE SANITARY SERVICES ON A BENCH A MINIMUM OF 18 INCHES ABOVE THE TOP OF SANITARY SEWER SERVICES.
- 6) PRIVATE UTILITIES ARE NOT TO BE INSTALLED BETWEEN THE CURB AND CONCRETE SIDEWALK

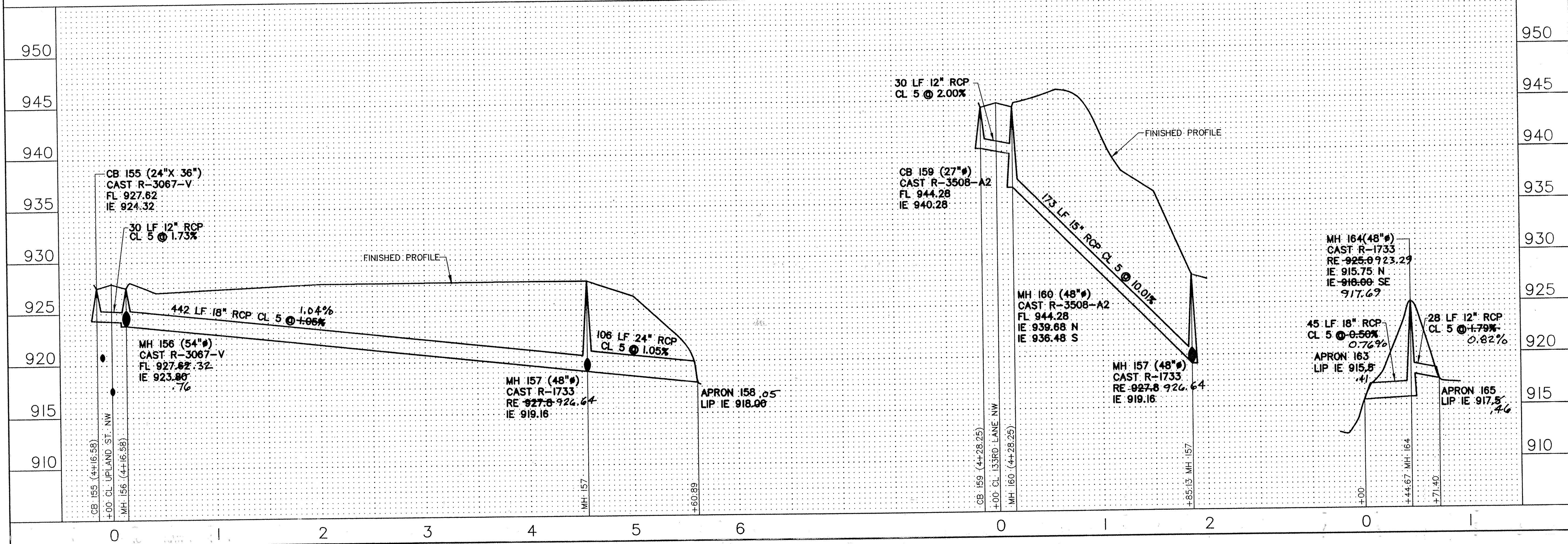
PRIME CONTRACTOR/UTILITIES: C.W. HOULE, INC.
 CURB & GUTTER: HALVORSON CONCRETE, INC.
 STREETS: BAUERLY BROS., INC.
 INSPECTION: HOWARD R. GREEN CO.
 SURVEY: JOHN OLIVER & ASSOCIATES, INC.
 EARTHWORK: SOIL-CON, INC.
 RECORD DRAWINGS: FRED FRITSCHEL, JOHN OLIVER & ASSOCIATES, INC.
 CONSTRUCTED: 1998

| REV. NO. | DATE | DESCRIPTION |
|----------|----------|----------------|
| 1 | 10/14/97 | STORM SEWER |
| 2 | 10/21/97 | STORM SEWER |
| 3 | 11/13/97 | STORM SEWER |
| 4 | 5/16/99 | RECORD DRAWING |

| | |
|-------------|------------|
| DATE: | 9/26/97 |
| DESIGN BY: | GD |
| DRAWN BY: | BC |
| CHECKED BY: | GD:JAB |
| DWG. FILE: | S-STM |
| TEXT FILE: | NONE |
| FILE NO.: | 7024.20-03 |

I hereby certify that this plan was prepared by me or under my direct supervision and that I am a duly Registered Professional Engineer under the laws of the State of Minnesota.

Signed: *[Signature]*
 Date: 9/26/97 Reg. No. 14960



John Oliver & Associates, Inc.
 Civil Engineering, Land Surveying, Land Planning
 580 Dodge Avenue
 Elk River, Minnesota 55330
 (612)441-2072 (FAX)441-0665

201 W. Travelers Trail, Suite 200
 Burnsville, MN 55337
 (612)894-3045 (FAX)894-3049

LAFAYETTE WOODS SECOND ADDITION
 ELK RIVER, MN
WINDSOR DEVELOPMENT L.L.P.
 SANITARY SEWER, WATERMAIN,
 STORM SEWER AND STREET PLAN
STORM EASEMENT

SHEET NO. 5 OF 9