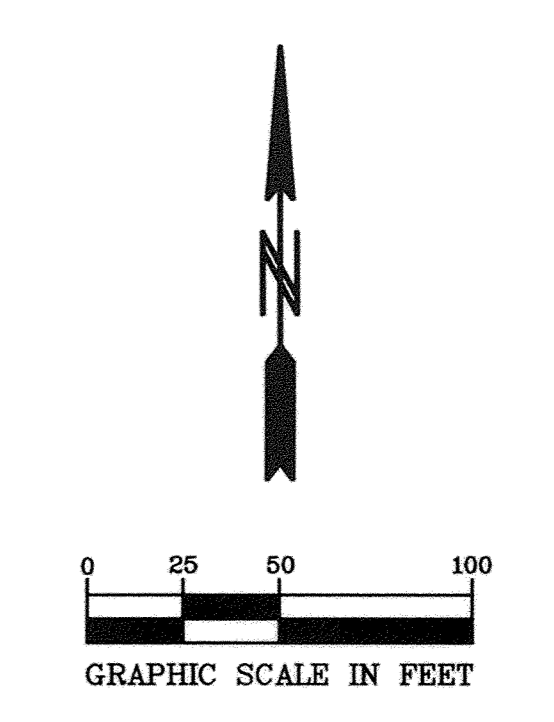


STORM SEWER SCHEDULE

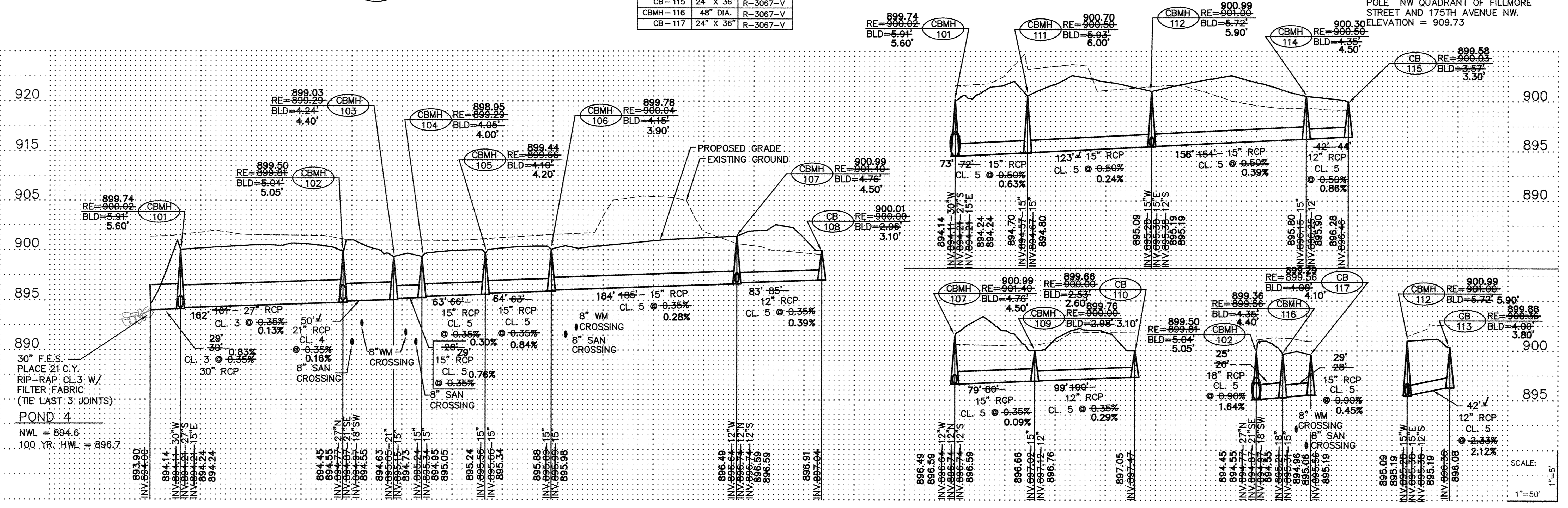
CB or MH NO.	STRUCT. SIZE	NEENAH CASTING or EQUAL
CBMH - 101	60" DIA.	R-3067-V
CBMH - 102	48" DIA.	R-3067-V
CBMH - 103	48" DIA.	R-3067-V
CBMH - 104	48" DIA.	R-3067-V
CBMH - 105	48" DIA.	R-3067-V
CBMH - 106	48" DIA.	R-3067-V
CBMH - 107	48" DIA.	R-3067-V
CB - 108	27" DIA.	R-4342
CBMH - 109	48" DIA.	R-4342
CB - 110	27" DIA.	R-4342
CBMH - 111	48" DIA.	R-4342
CBMH - 112	48" DIA.	R-4342
CB - 113	24" X 36"	R-3067-V
CBMH - 114	48" DIA.	R-4342
CB - 115	24" X 36"	R-3067-V
CBMH - 116	48" DIA.	R-3067-V
CB - 117	24" X 36"	R-3067-V



BENCHMARK

DOUBLE SPIKE EAST FACE OF POWER POLE WEST OF FILLMORE STREET NW, 50 FT SOUTH OF 178TH AVE. NW. ELEVATION = 897.82

TRIPLE SPIKE EAST FACE OF POWER POLE NW QUADRANT OF FILLMORE STREET AND 175TH AVENUE NW. ELEVATION = 909.73



30" F.E.S. PLACE 21 C.Y. RIP-RAP CL.3 W/ FILTER FABRIC (THE LAST 3 JOINTS)

POND 4

NWL = 894.6
100 YR. HWL = 896.7

SCALE: 1" = 50'

L:\Projects\2005\2005_08_05\2005_08_05_01\2005_08_05_01.dwg
 PLOT DATE: 08/05/05 10:00 AM
 PLOT BY: KAP

SDCI PRODUCTS • NEW HOPE, MINNESOTA
 REPRODUCED BY PART NUMBER 8252
 SDCI PRODUCTS • NEW HOPE, MINNESOTA
 REPRODUCED BY PART NUMBER 8252
 SDCI PRODUCTS • NEW HOPE, MINNESOTA
 REPRODUCED BY PART NUMBER 8252
 SDCI PRODUCTS • NEW HOPE, MINNESOTA
 REPRODUCED BY PART NUMBER 8252