

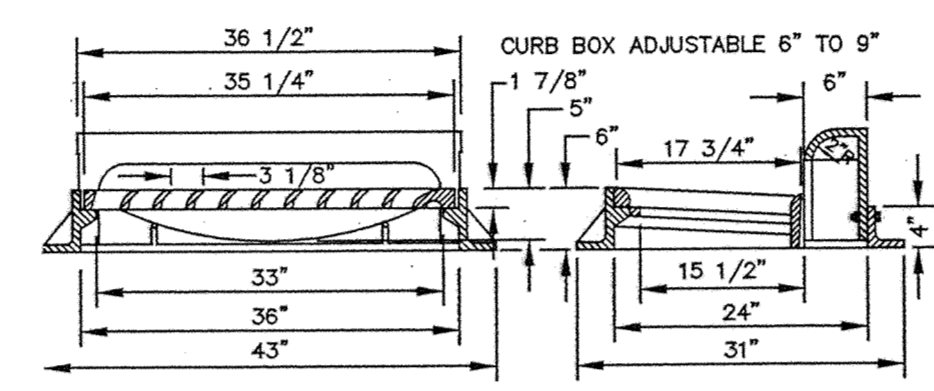
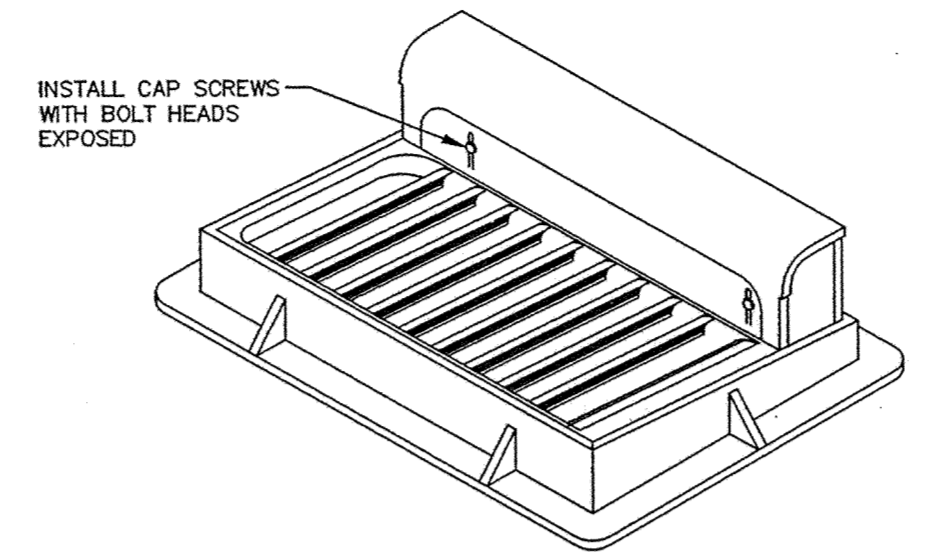
CASTING SHALL BE NEENAH R-1733-1 TYPE C OR EQUAL FOR YARDS
CASTING NEENAH R-4342 TYPE C FOR DITCHES

ERSTD-SM

GRATE CASTING

City of Elk River

STANDARD PLATE NO. **2509**



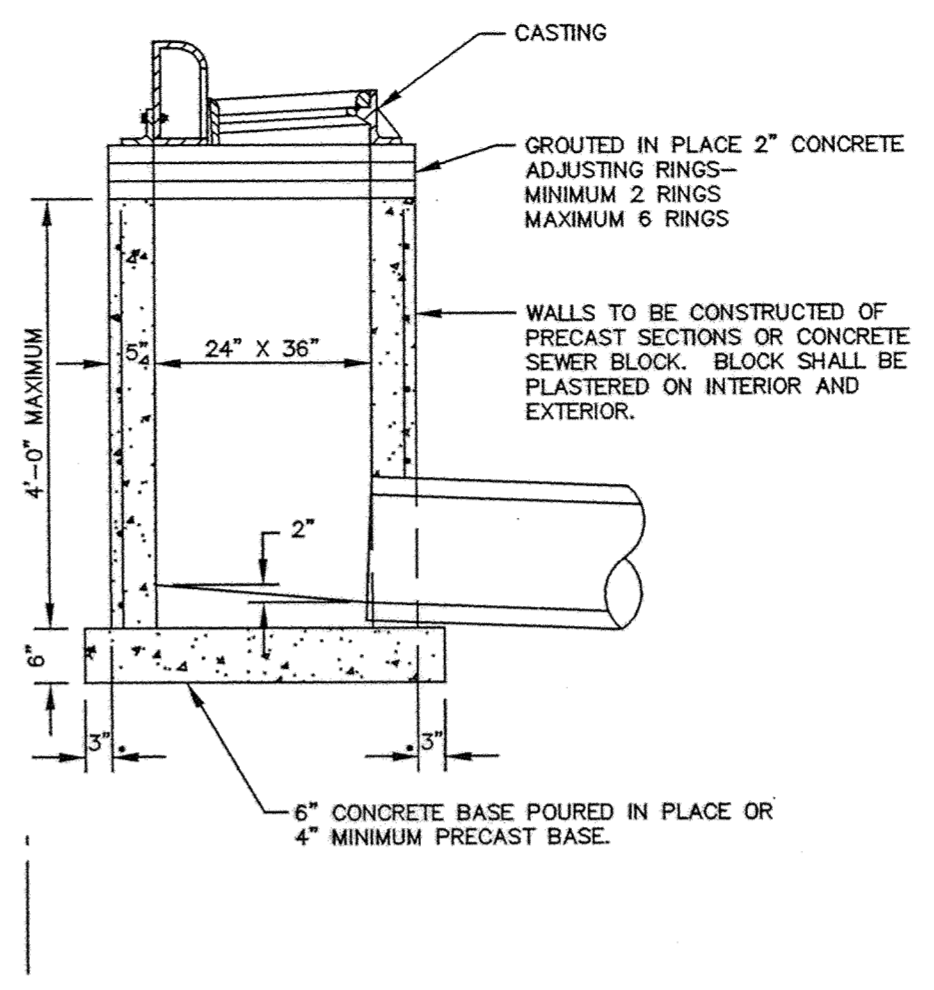
CASTINGS SHALL BE NEENAH R-3067-V OR EQUAL

ERSTD-SM

STANDARD INLET CASTING

City of Elk River

STANDARD PLATE NO. **2507**



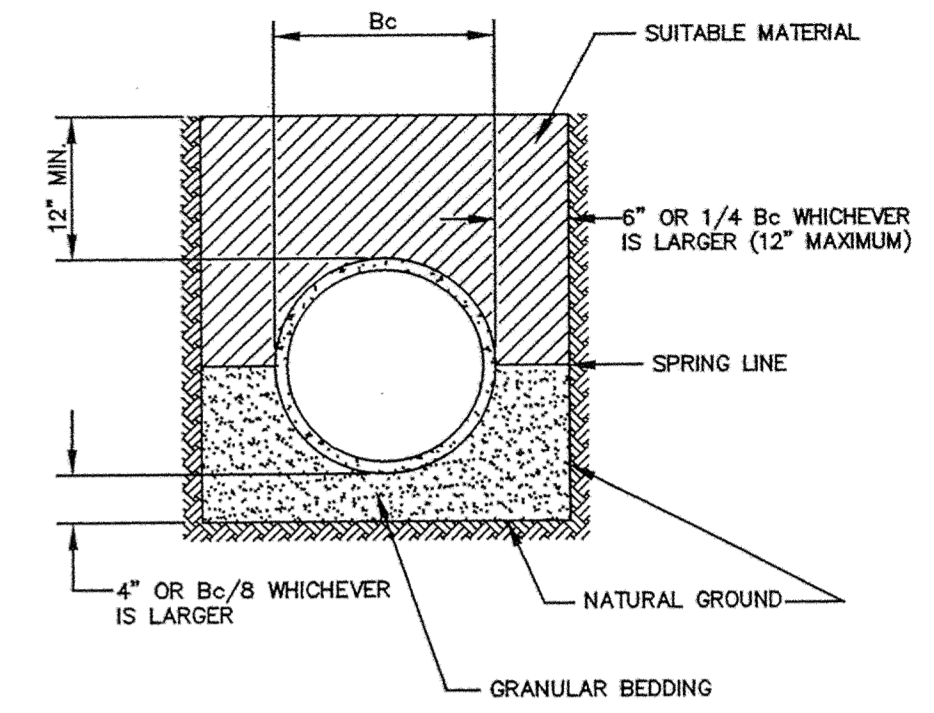
NOTE:
REINFORCING SHALL CONSIST OF A SINGLE LINE OF STEEL WIRE FABRIC HAVING AN AREA OF NOT LESS THAN 0.17 SQ. IN. PER FOOT OF HEIGHT.

ERSTD-SM

SHALLOW CATCH BASIN

City of Elk River

STANDARD PLATE NO. **2500**



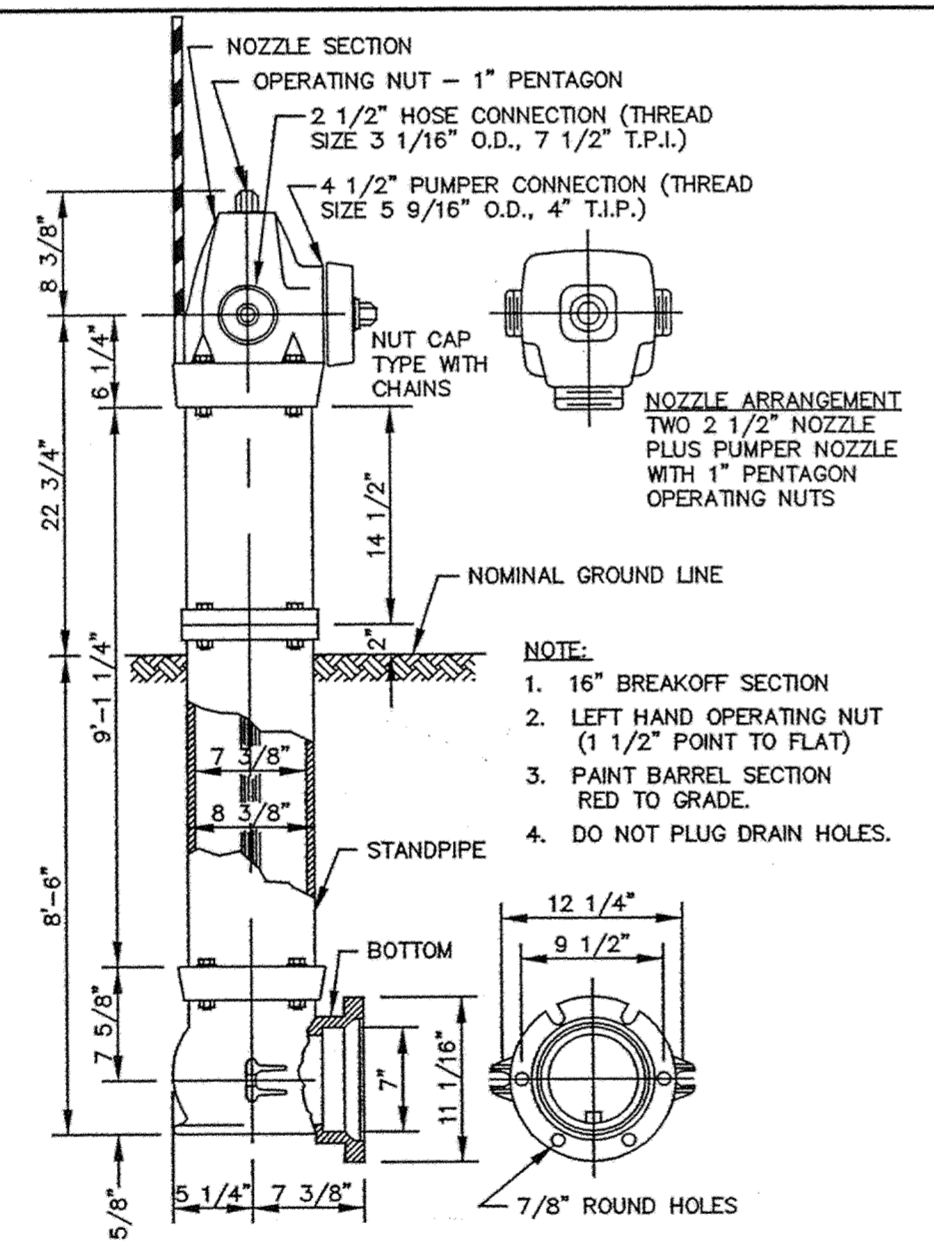
NOTE: ALL COSTS OF EXCAVATION BELOW GRADE AND PLACEMENT OF GRANULAR BEDDING SHALL BE INCLUDED IN THE BID PRICES FOR PIPE ITEMS.

ERSTD-WM

CLASS B PIPE BEDDING

City of Elk River

STANDARD PLATE NO. **3406**



NOTE:
1. 16\"/>

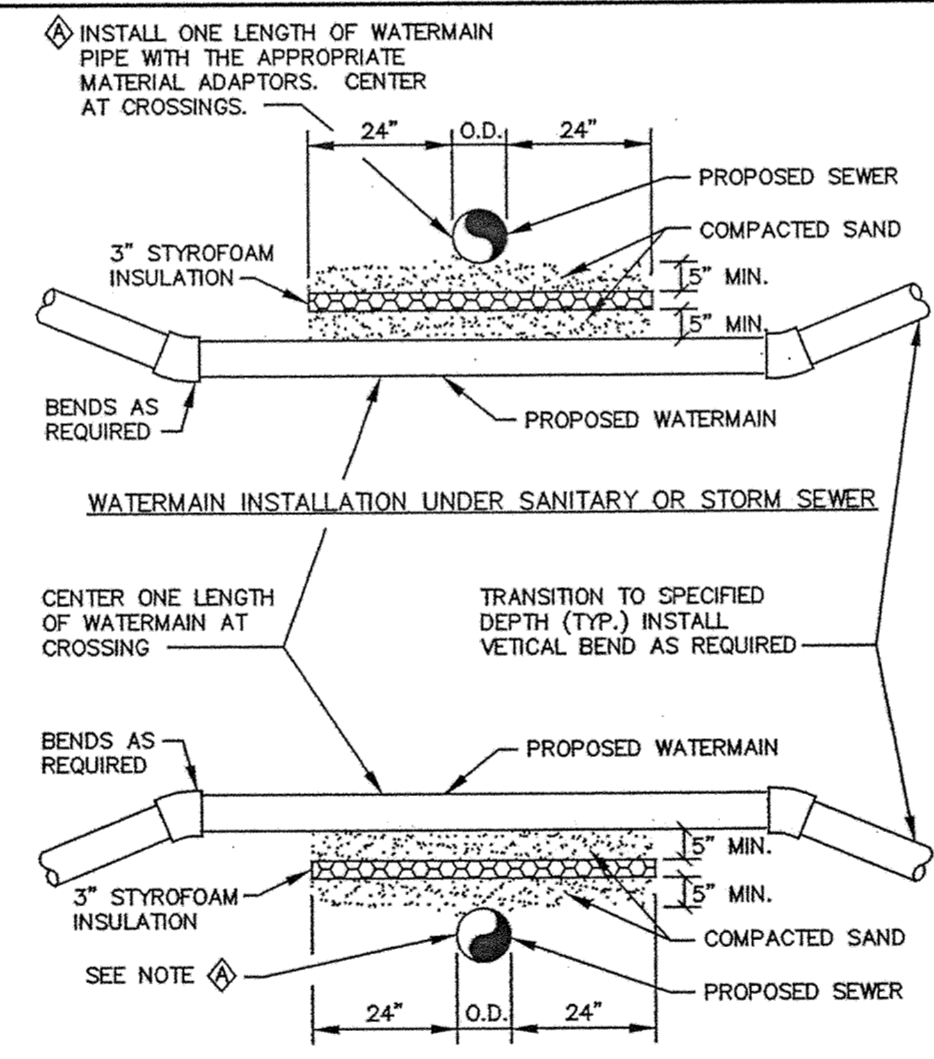
NOTE: HYDRANT LOCATING DEVICES REQUIRED - SEE SPECIFICATIONS.

ERSTD-WM

PACER HYDRANT DETAIL

City of Elk River

STANDARD PLATE NO. **3401**



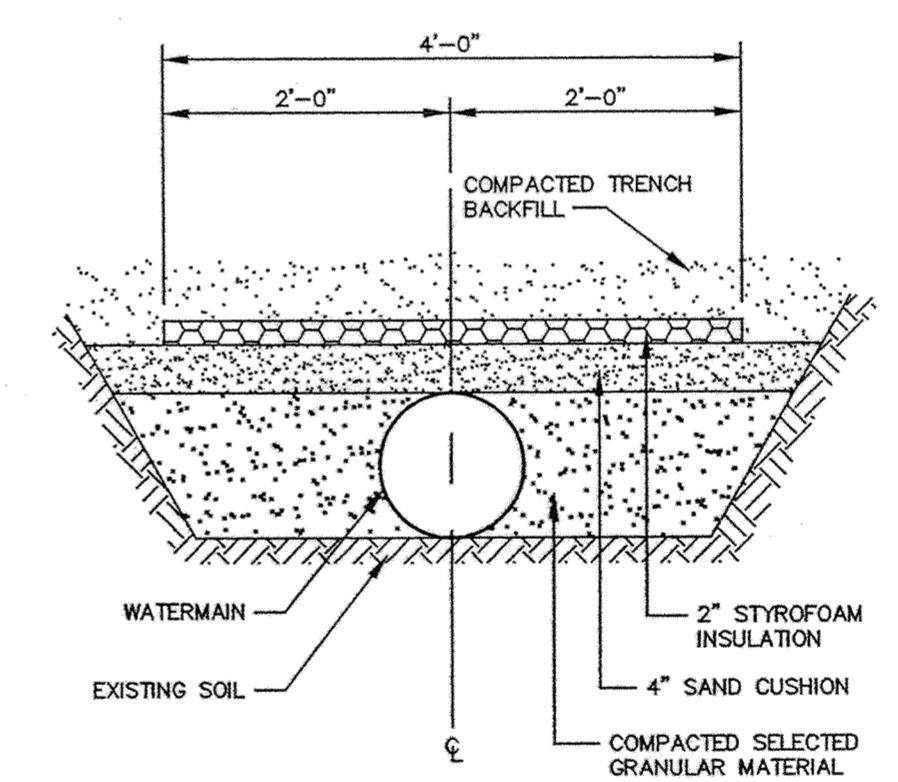
NOTE:
1. WHEN WATERMAIN AND SANITARY SEWER CROSSINGS HAVE LESS THAN 18\"/>

ERSTD-WM

WATERMAIN CROSSING

City of Elk River

STANDARD PLATE NO. **3404**



ERSTD-WM

PIPE INSULATION DETAIL

City of Elk River

STANDARD PLATE NO. **3407**