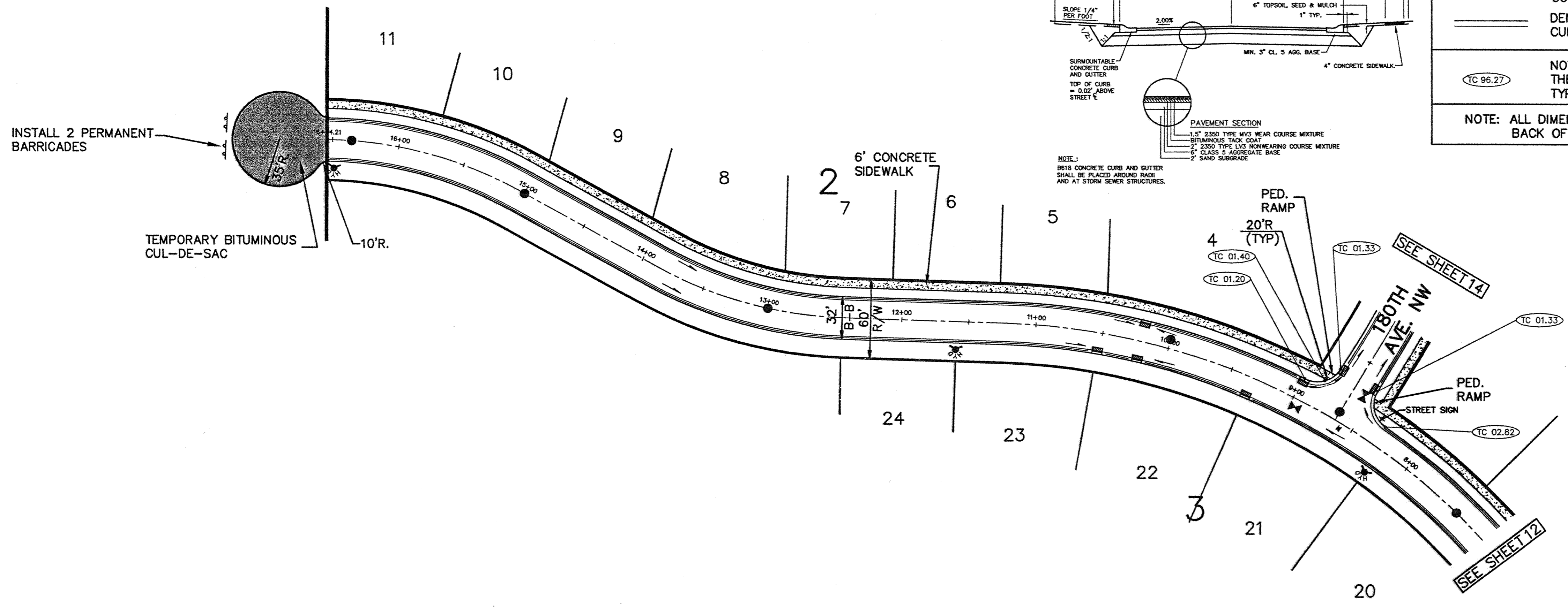
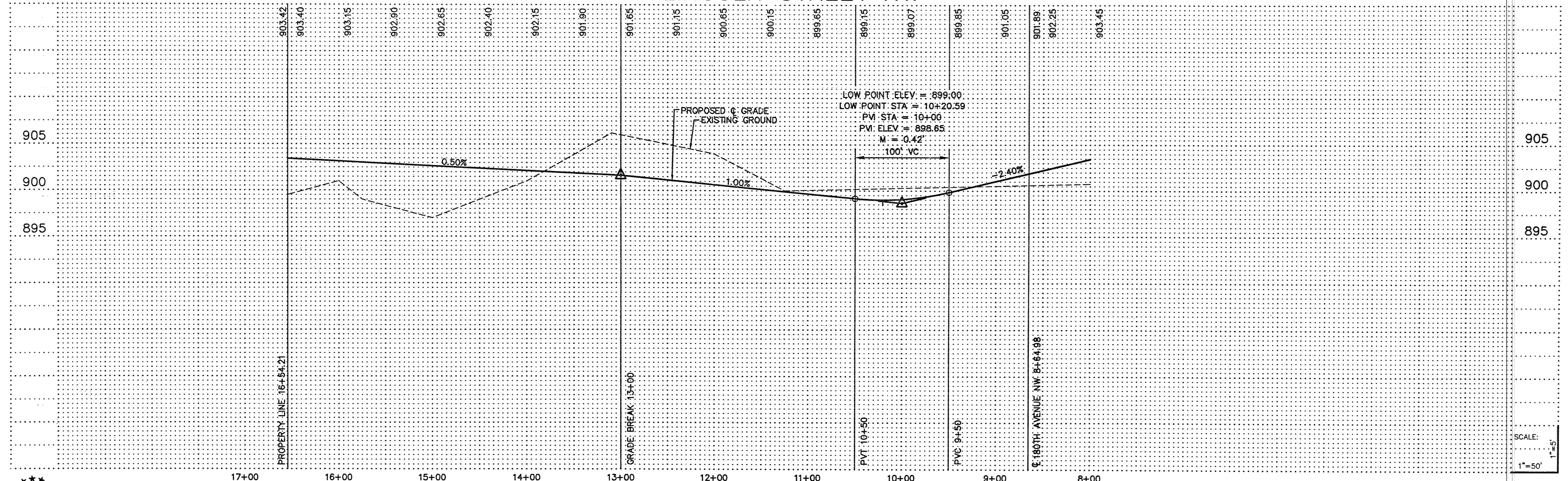


CURB TYPES	
	DENOTES SURMOUNTABLE CONCRETE CURB & GUTTER
	DENOTES B618 CONCRETE CURB & GUTTER
NOTE: TOP OF CURB ELEV. ARE THE ACTUAL ELEV'S FOR THE TYPE OF CURB SHOWN.	
NOTE: ALL DIMENSIONS SHOWN ARE FROM BACK OF CURB TO BACK OF CURB.	



LINCOLN STREET NW



SCALE:
1"=50'



2422 Enterprise Drive
Brooklyn Park, MN 55420
(651) 851-1614 FAX: 851-2488
2555 Hennepin Avenue
Brooklyn Park, MN 55429
(763) 763-1980 FAX: 763-1983

I hereby certify that this plan was prepared by me or under my direct supervision and that I am a duly Licensed Professional Engineer under the laws of the State of Minnesota.

Name Paul J. Coffey
Reg. No. 19860 Date 8/31/01

Revisions
1. 10/1/01

Date 8/31/01
Designed PJC
Drawn SAG

SHEET TITLE
STREET CONSTRUCTION

OWNER
GOLD NUGGET
8857 ZEALAND AVENUE NORTH
BROOKLYN PARK, MINNESOTA 55445

PROJECT
**KLIEVER LAKE FIELDS
PHASE 1**

SHEET 13 OF 20 SHEETS

J:\DWG\2002\74-CLV_RIVER.dwg 2002/8/23/01 04:30:18 PM CDT

SEARCHED PRODUCTS NEW HAVEN, CONNECTICUT
REPRODUCED BY PART NUMBER 8502
FORWARDED BY PART NUMBER 8502
FORWARDED BY PART NUMBER 8502
FORWARDED BY PART NUMBER 8502
FORWARDED BY PART NUMBER 8502