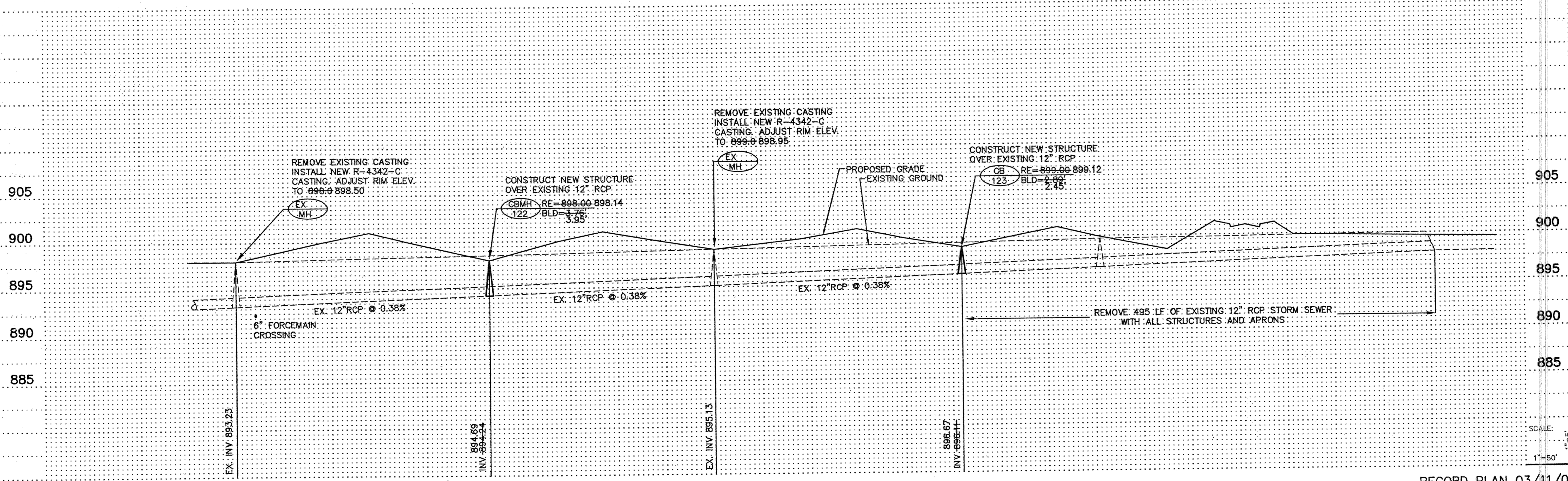
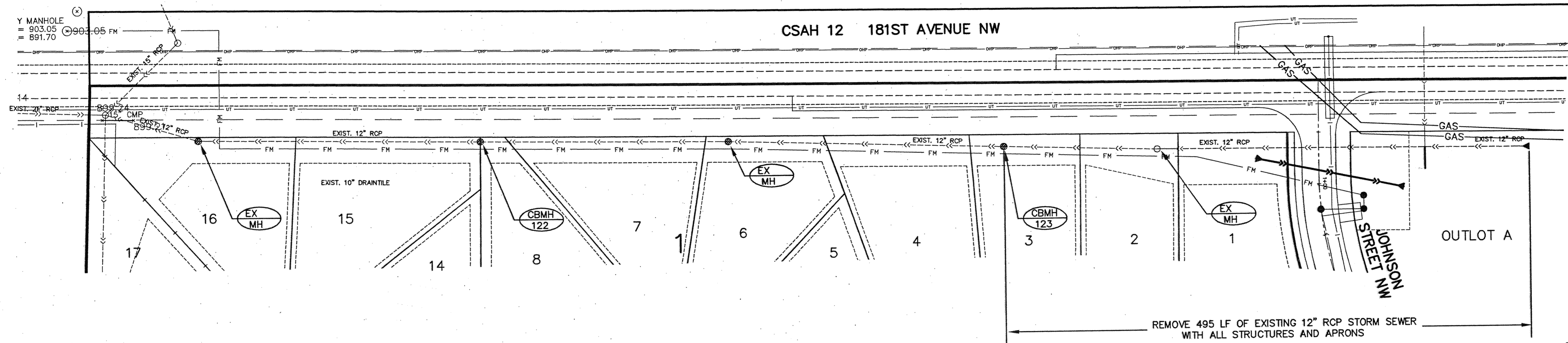


STORM SEWER SCHEDULE		
CB or MH NO.	STRUCT. SIZE	NEENAH CASTING or EQUAL
CBMH-122	48" DIA.	R-4342-C
CBMH-123	48" DIA.	R-4342-C



PIONEER engineering
 LAND SURVEYORS • CIVIL ENGINEERS
 LAND PLANNERS • LANDSCAPE ARCHITECTS

2422 Enterprise Drive
 Mendota Heights, MN 55120
 (651) 891-1314 FAX: (651) 891-3485
 825 Highway 10 N.E.
 Brooklyn Park, MN 55420
 (763) 783-1800 FAX: (763)-1803

I hereby certify that this plan was prepared by me or under my direct supervision and that I am a duly Licensed Professional Engineer under the laws of the State of Minnesota.

Name: Paul J. Cherré
 Reg. No.: 19860 Date: 8/31/01

2. AS-BUILT
 1. PER CITY REVIEW.

Revisions
 1. 10/1/01
 2. 3/11/03

Date: 8/31/01
 Designed: PJC
 Drawn: SAG

SHEET TITLE: **STORM SEWER**

OWNER: **GOLD NUGGET**
 8857 ZEALAND AVENUE NORTH
 BROOKLYN PARK, MINNESOTA 55445

PROJECT: **KLIEVER LAKE FIELDS
 PHASE 1**

RECORD PLAN 03/11/03

SHEET 10 OF 20 SHEETS