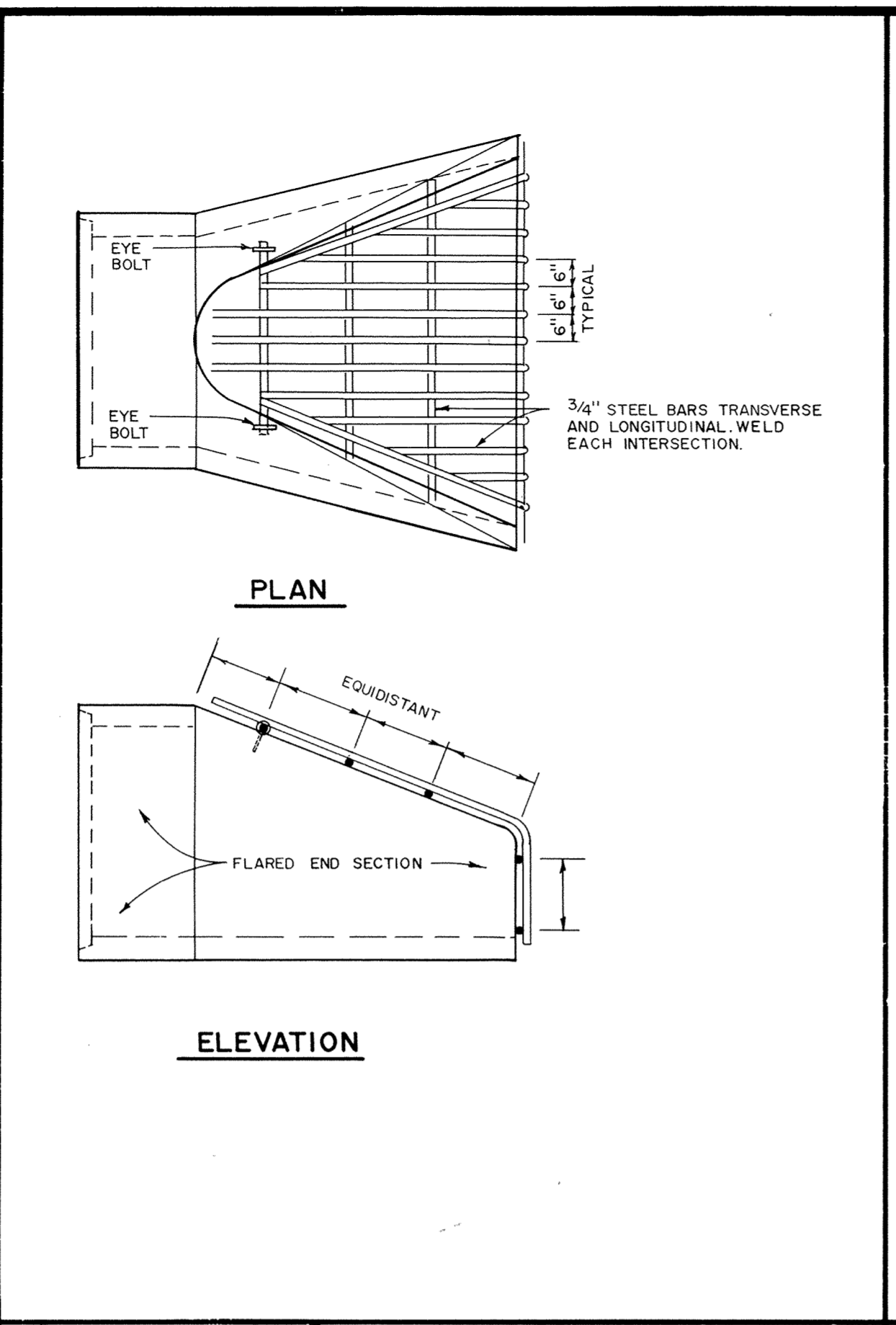
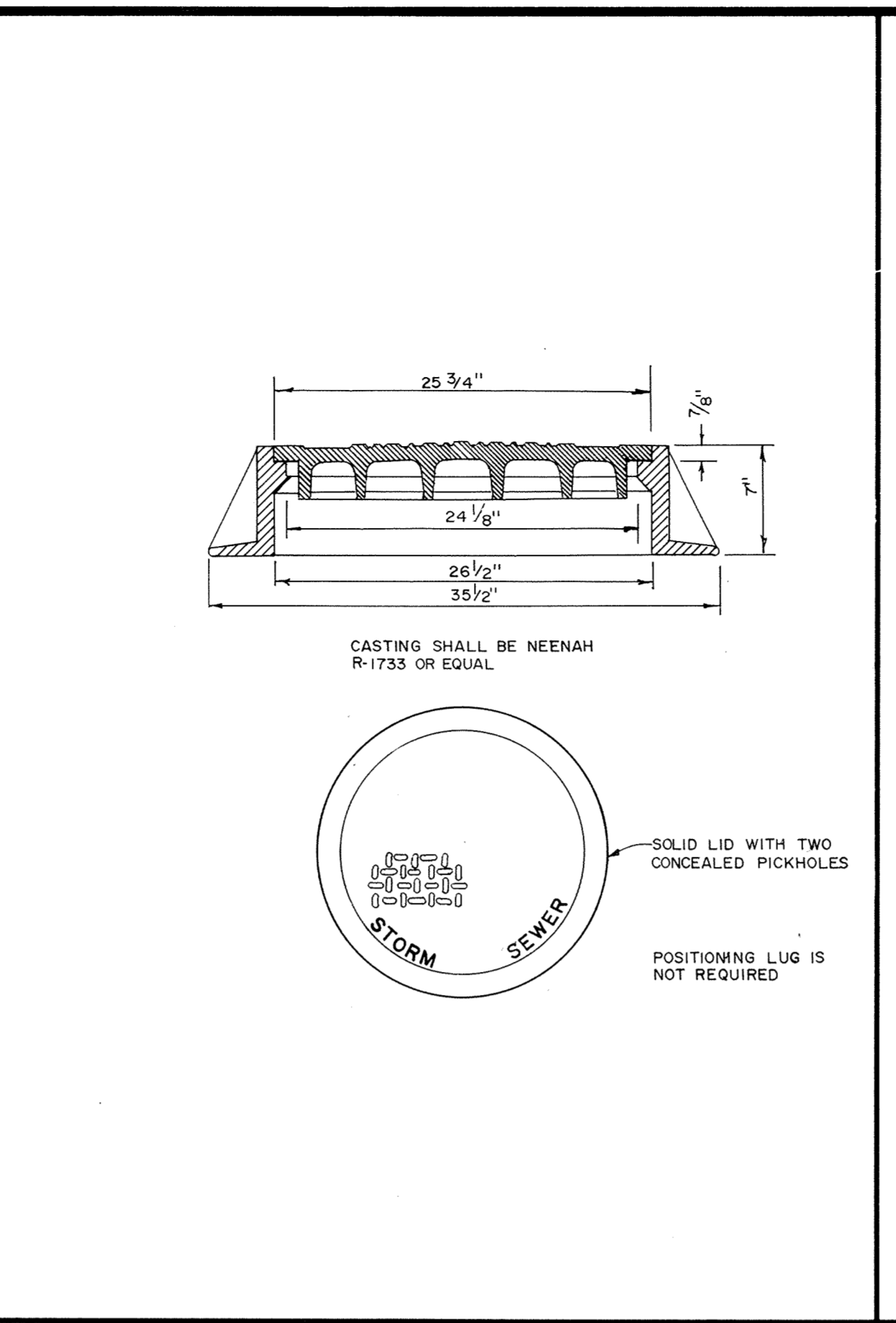


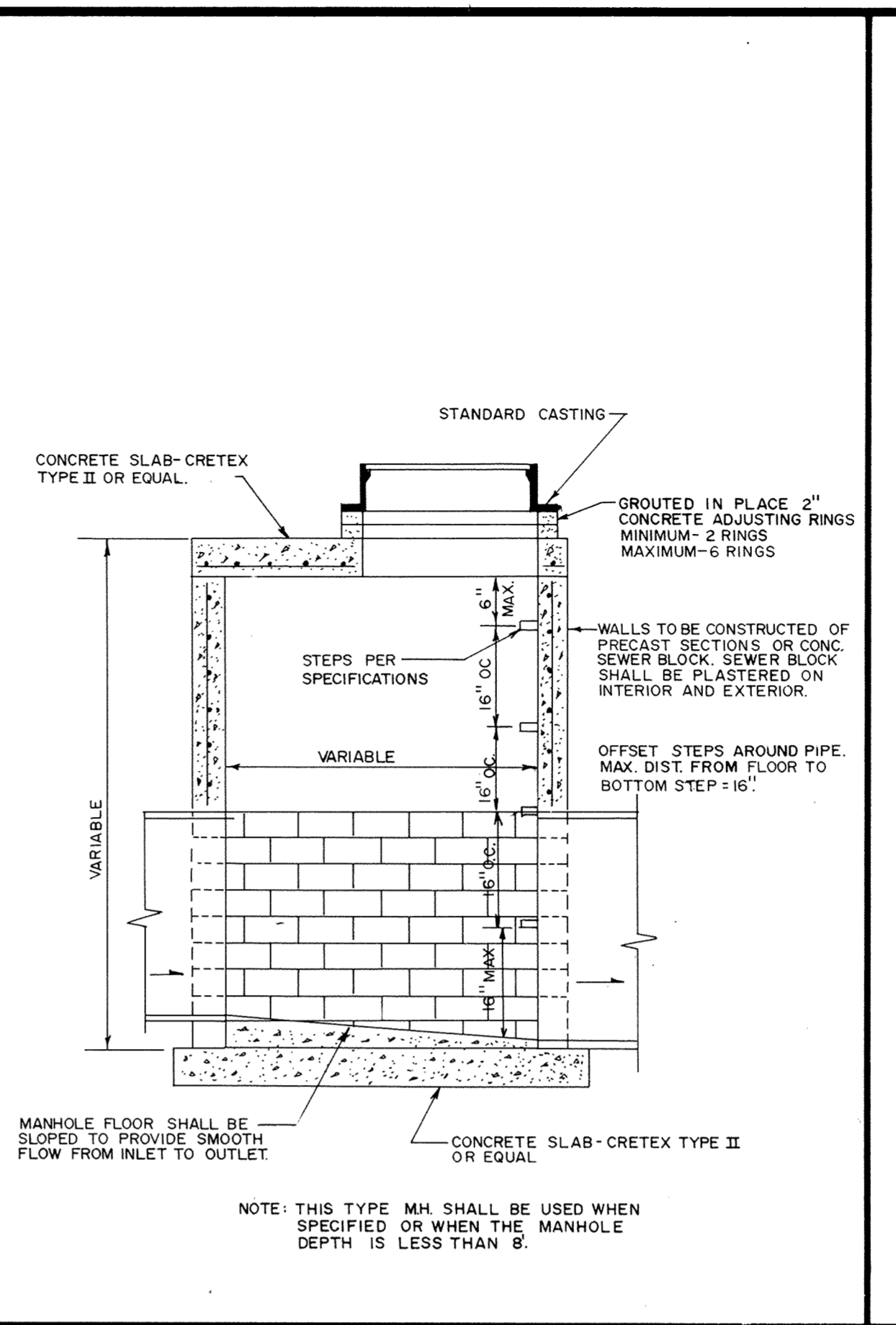
RIP-RAP INSTALLATION



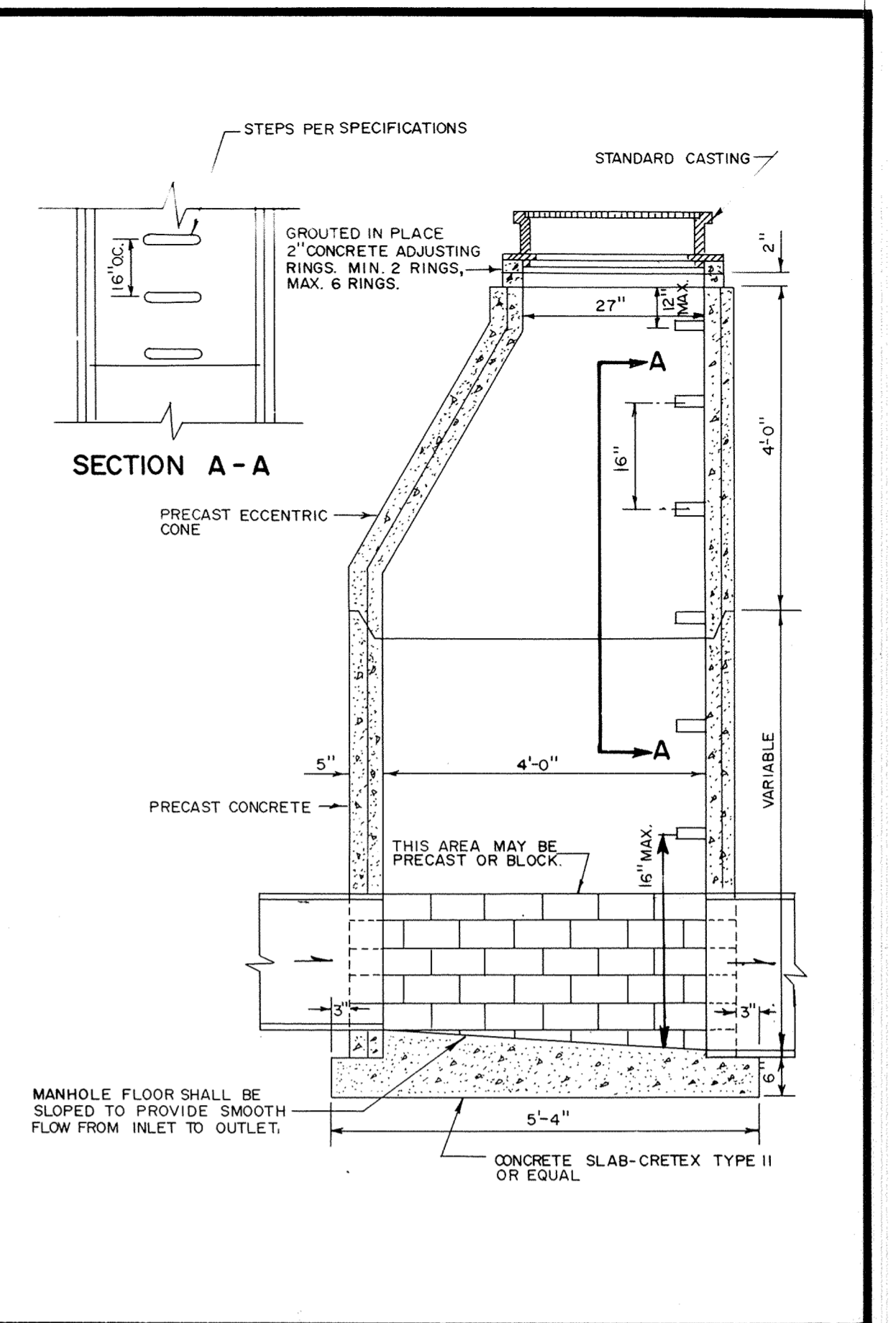
TRASH GUARD



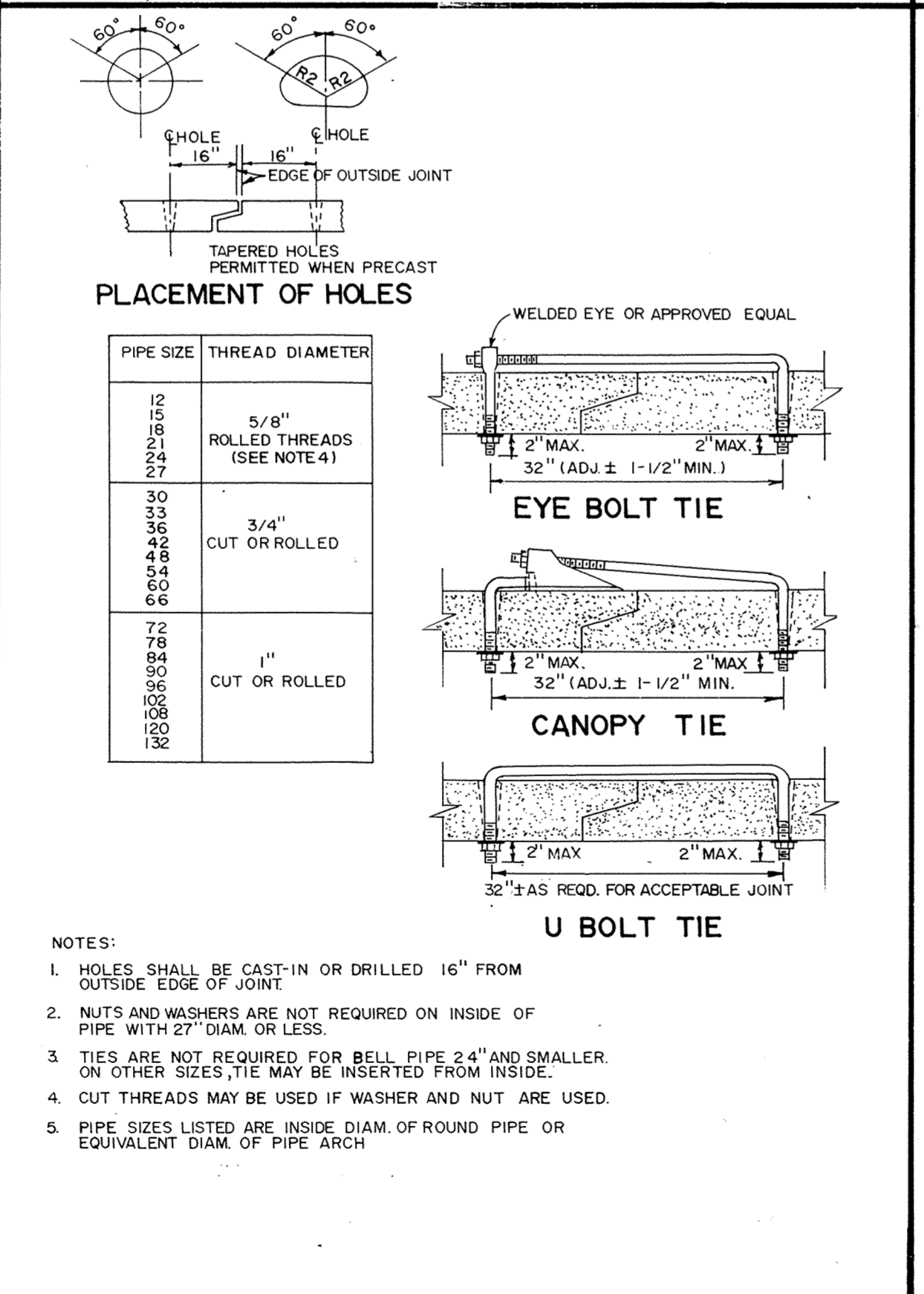
STANDARD MANHOLE CASTING



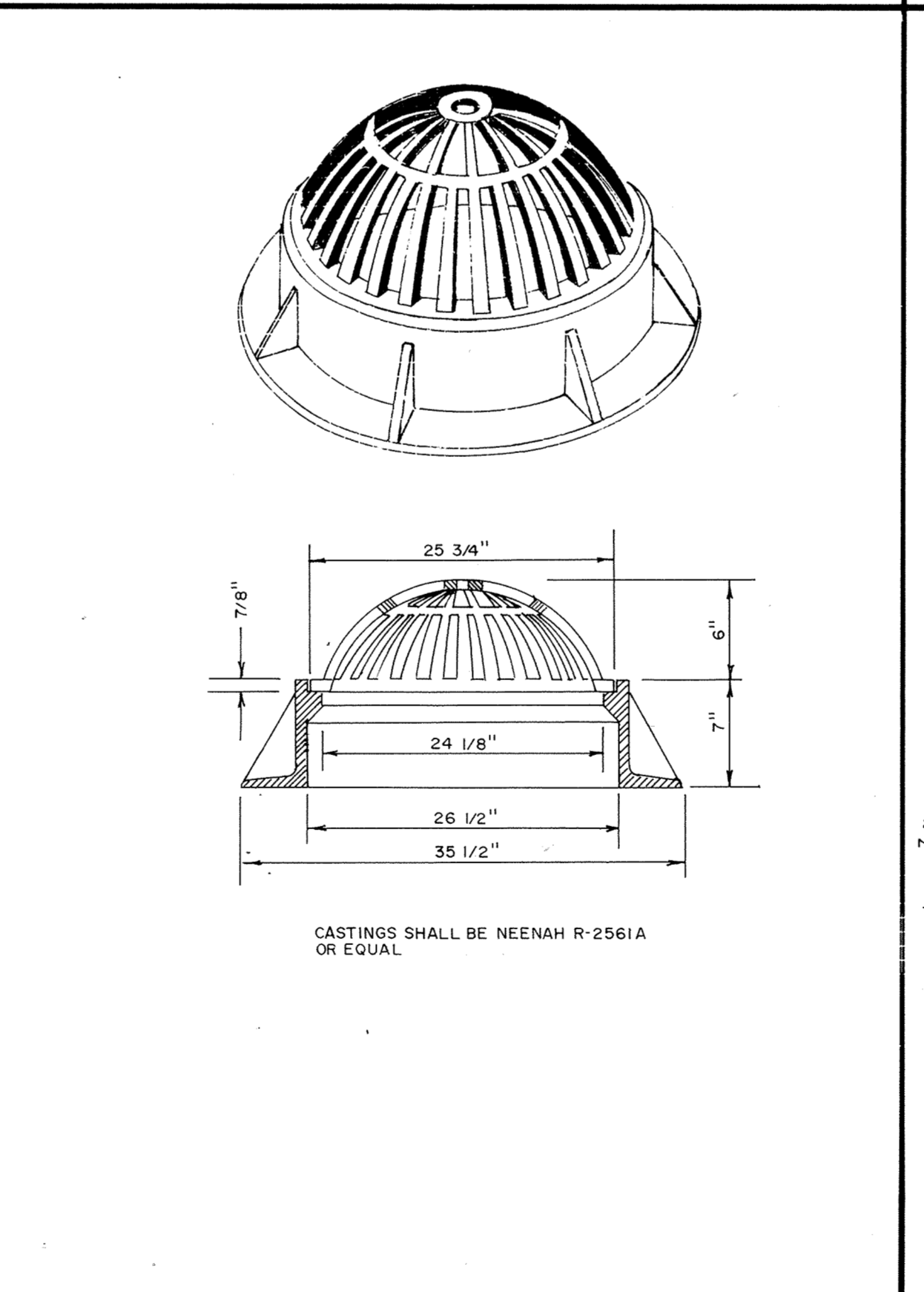
SLAB-TOP MANHOLE



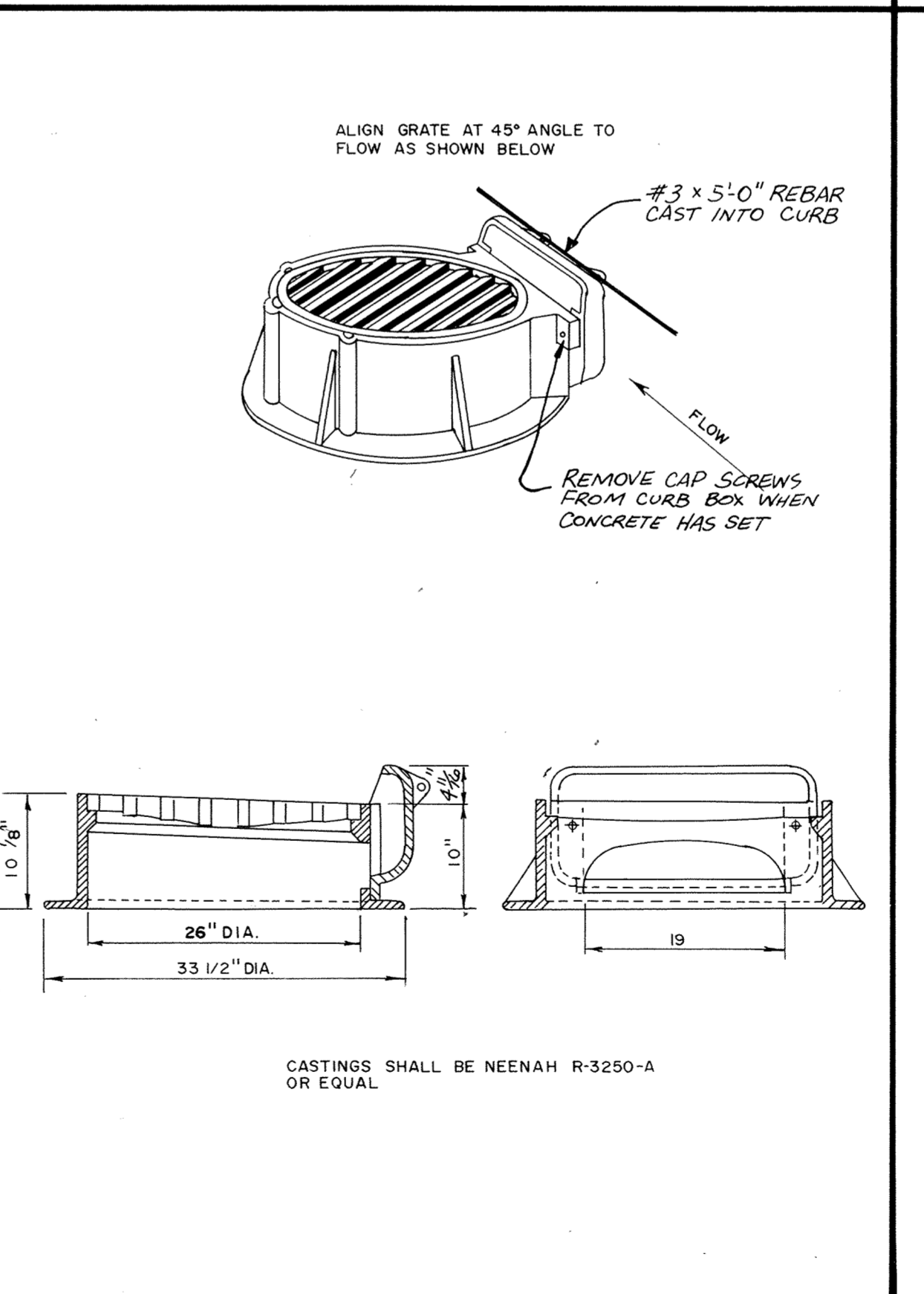
STANDARD MANHOLE



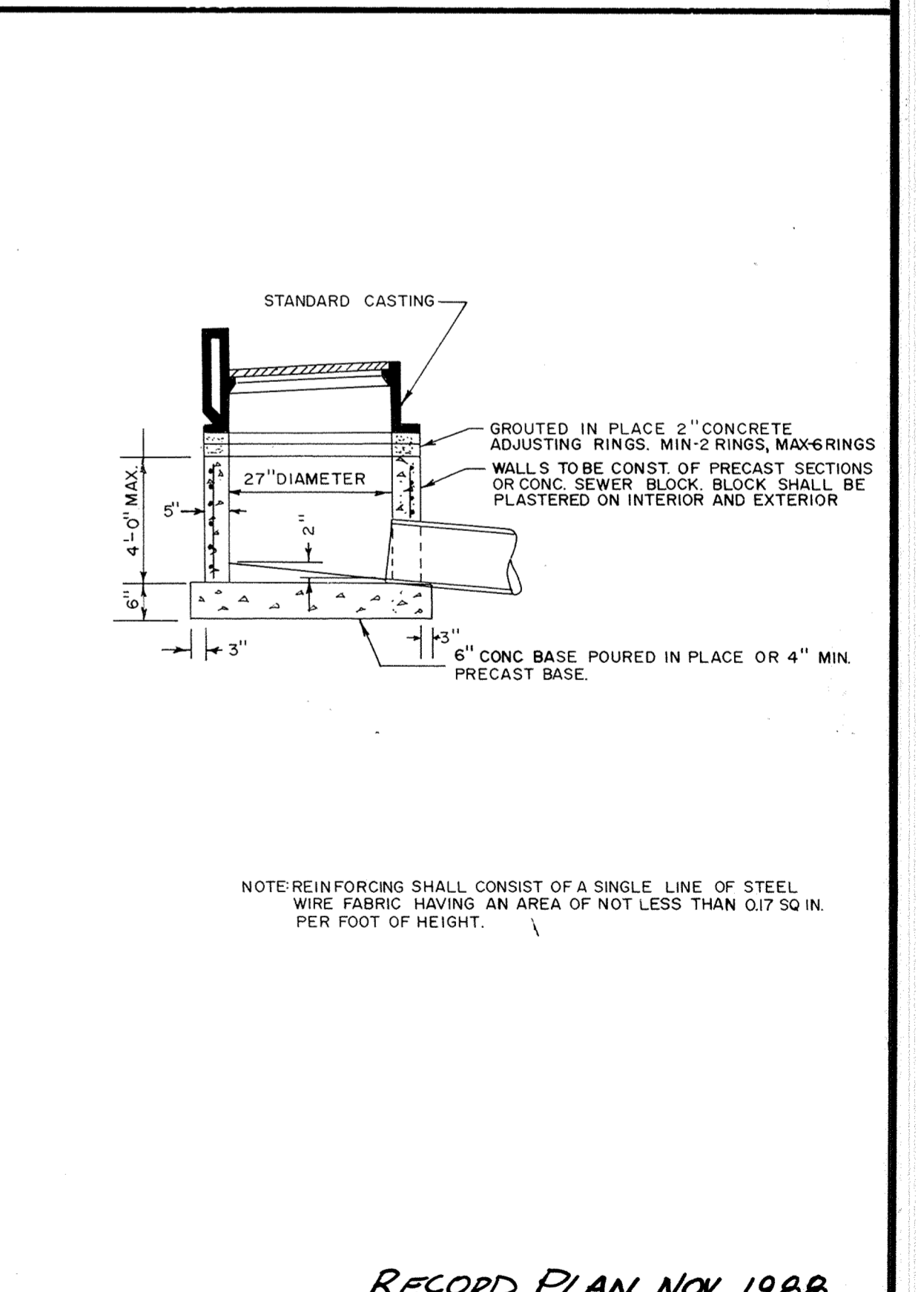
CONCRETE PIPE JOINT TIES



BEEHIVE CASTING



STANDARD INLET CASTING



SHALLOW CATCH BASIN

RECORD PLAN NO. 1988

MINNESOTA BLUEPRINT

MSA CONSULTING ENGINEERS
 Maier Stewart & Associates Inc.
 1959 SLOAN PLACE (612) 774-6021 ST. PAUL, MINNESOTA 55117

REVISIONS	DATE	DESCRIPTION	DESIGNED	CHECKED	DRAWN

GRAPHIC SCALE
 0 HORIZ. *None*
 0 VERT.

CITY OF ELK RIVER
 STORM SEWER DETAILS

DATE SEPT 1987 SHEET 27 OF 28 SHEETS PROJECT NO. 230-032

DRAWING NUMBER
 JACKS.87
 27