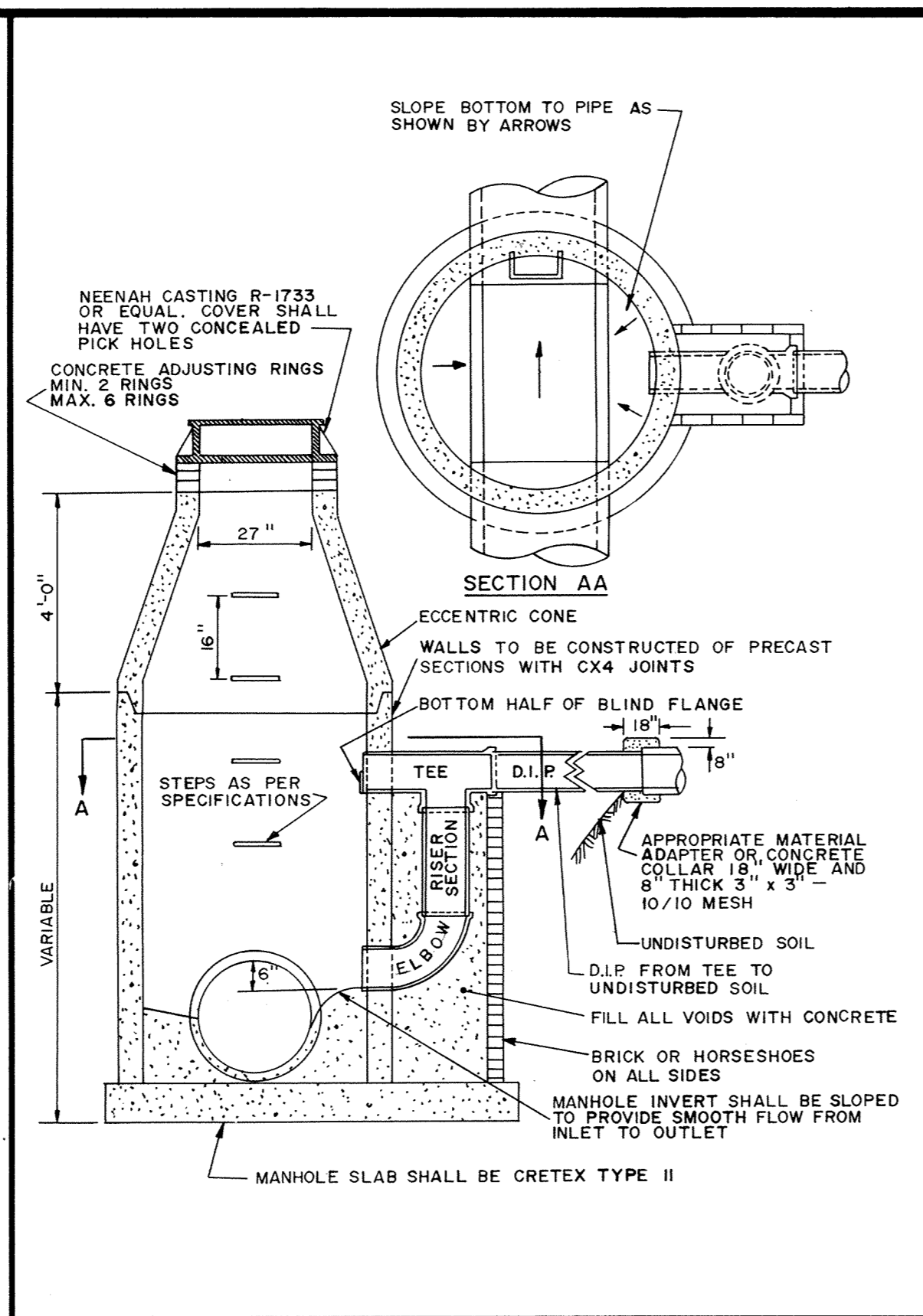
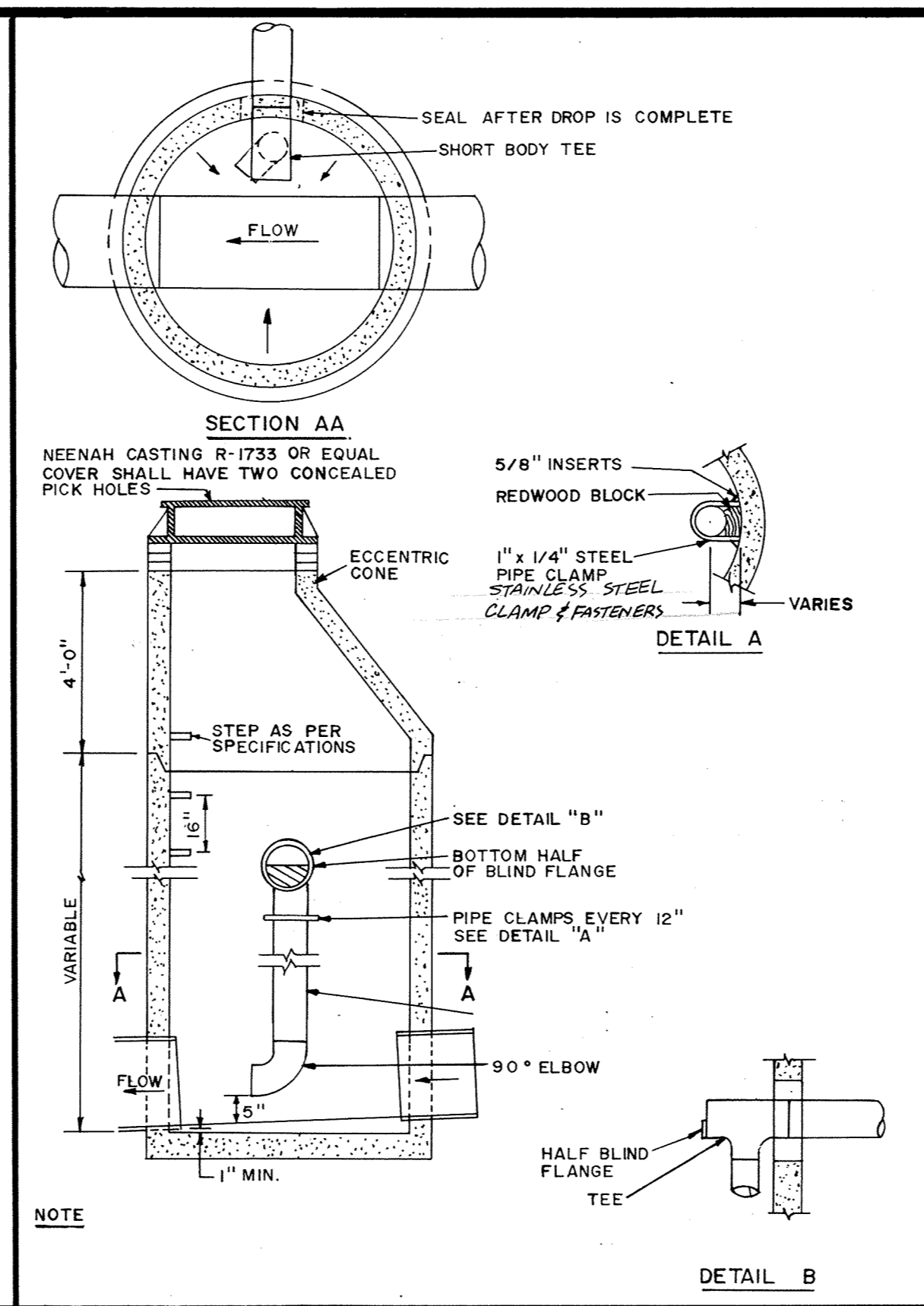


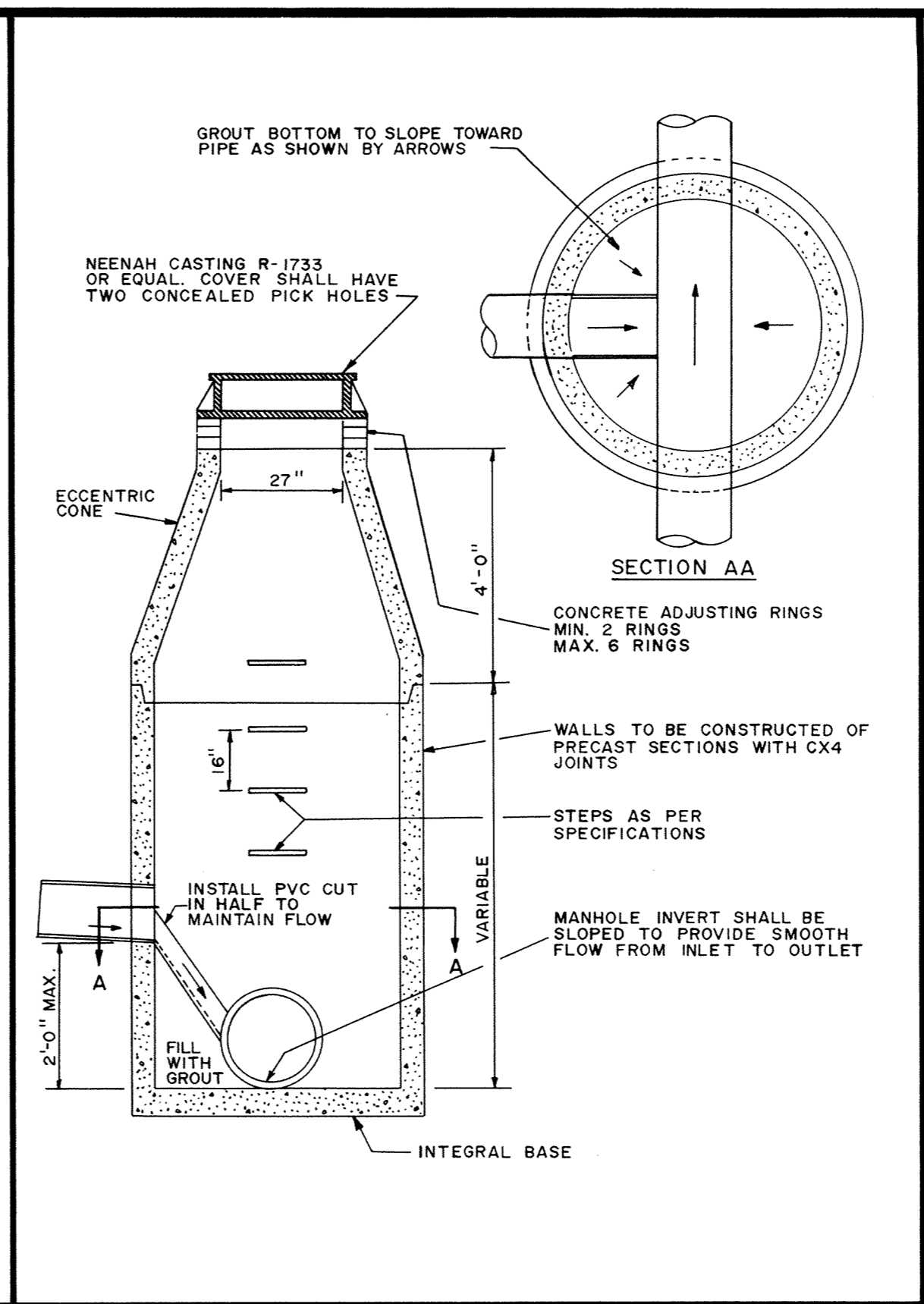
STANDARD AIR RELIEF MANHOLE



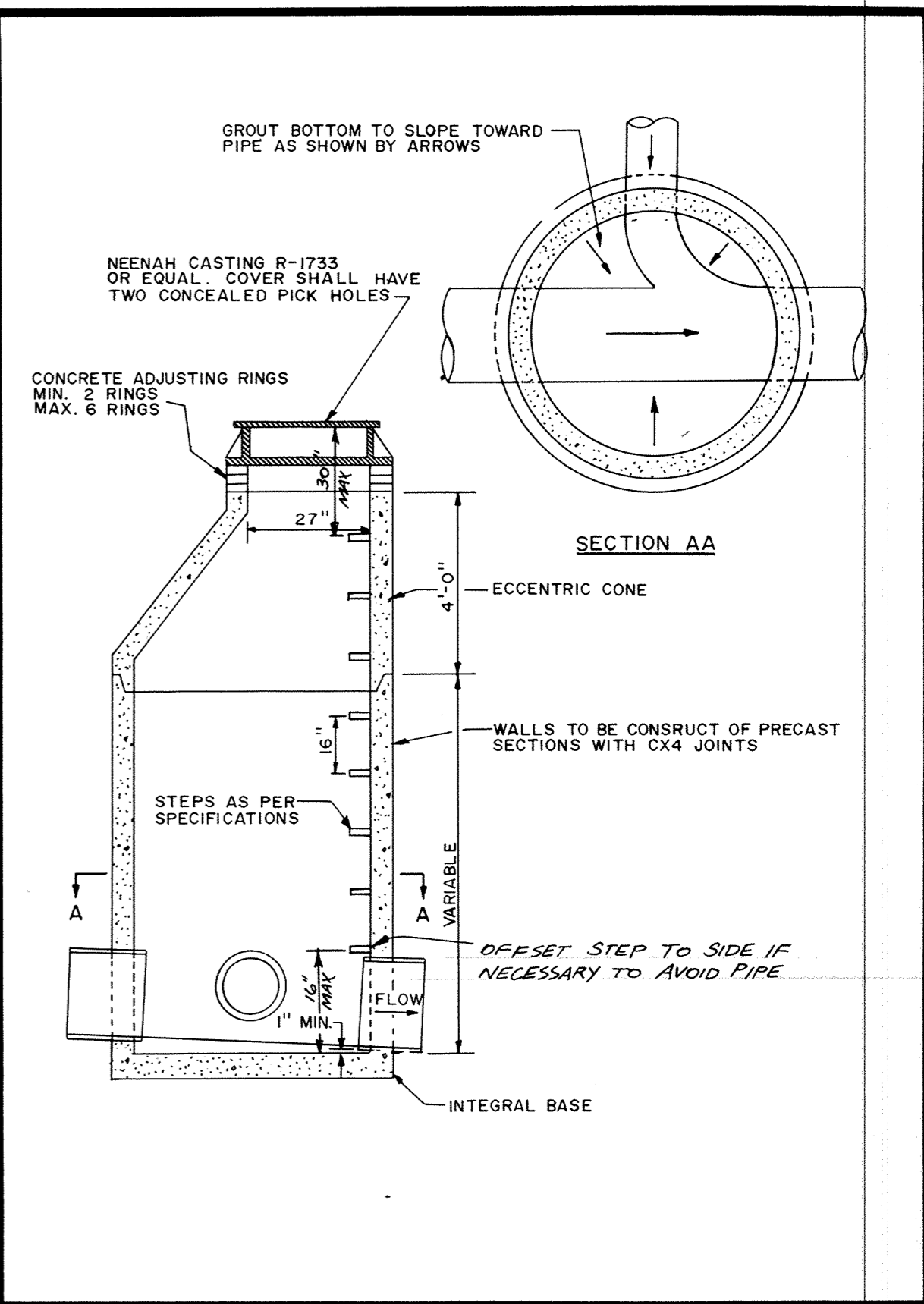
OUTSIDE DROP MANHOLE



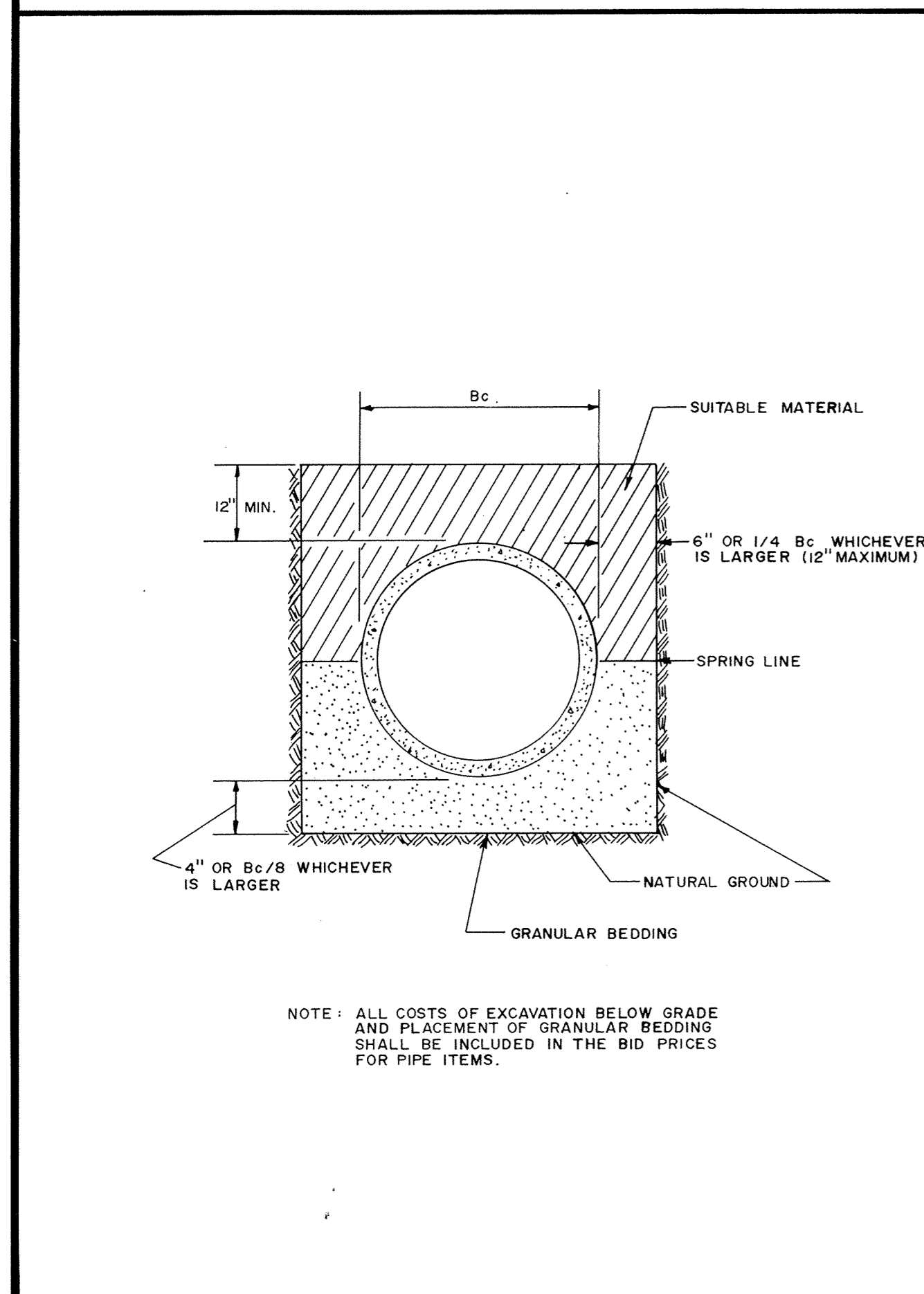
INSIDE DROP MANHOLE



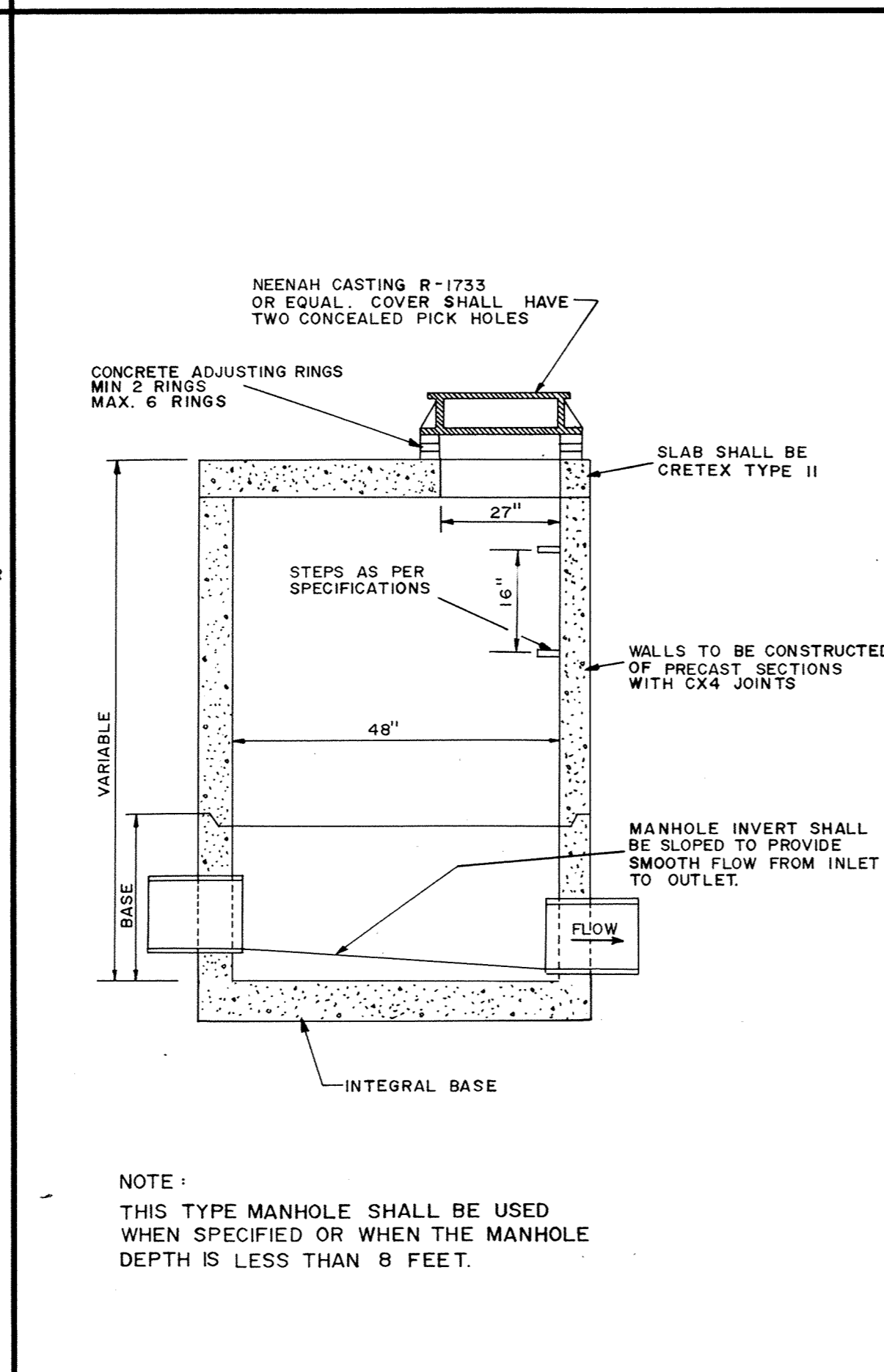
INSIDE DROP MANHOLE (2 FEET OR LESS)



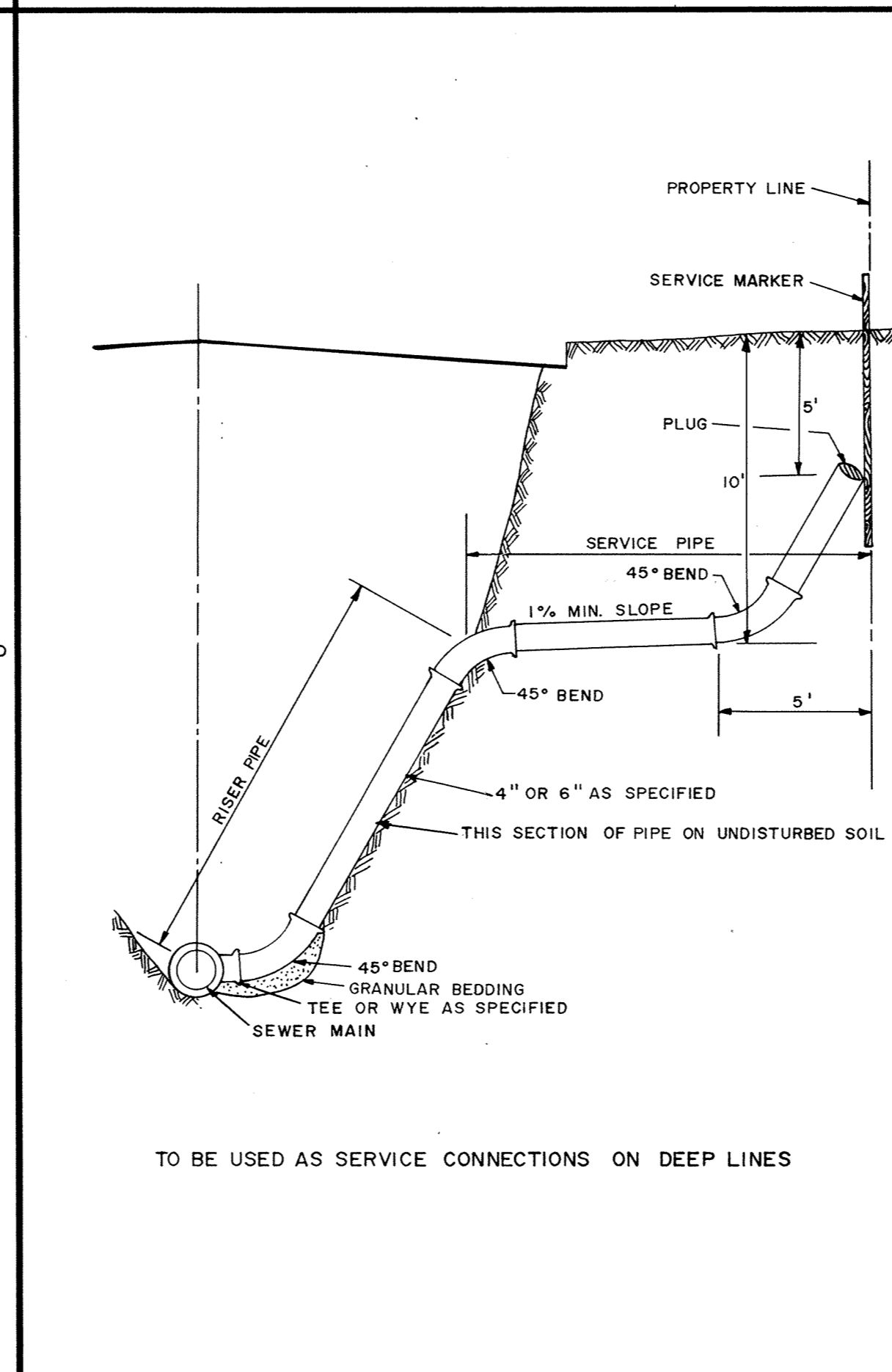
STANDARD MANHOLE



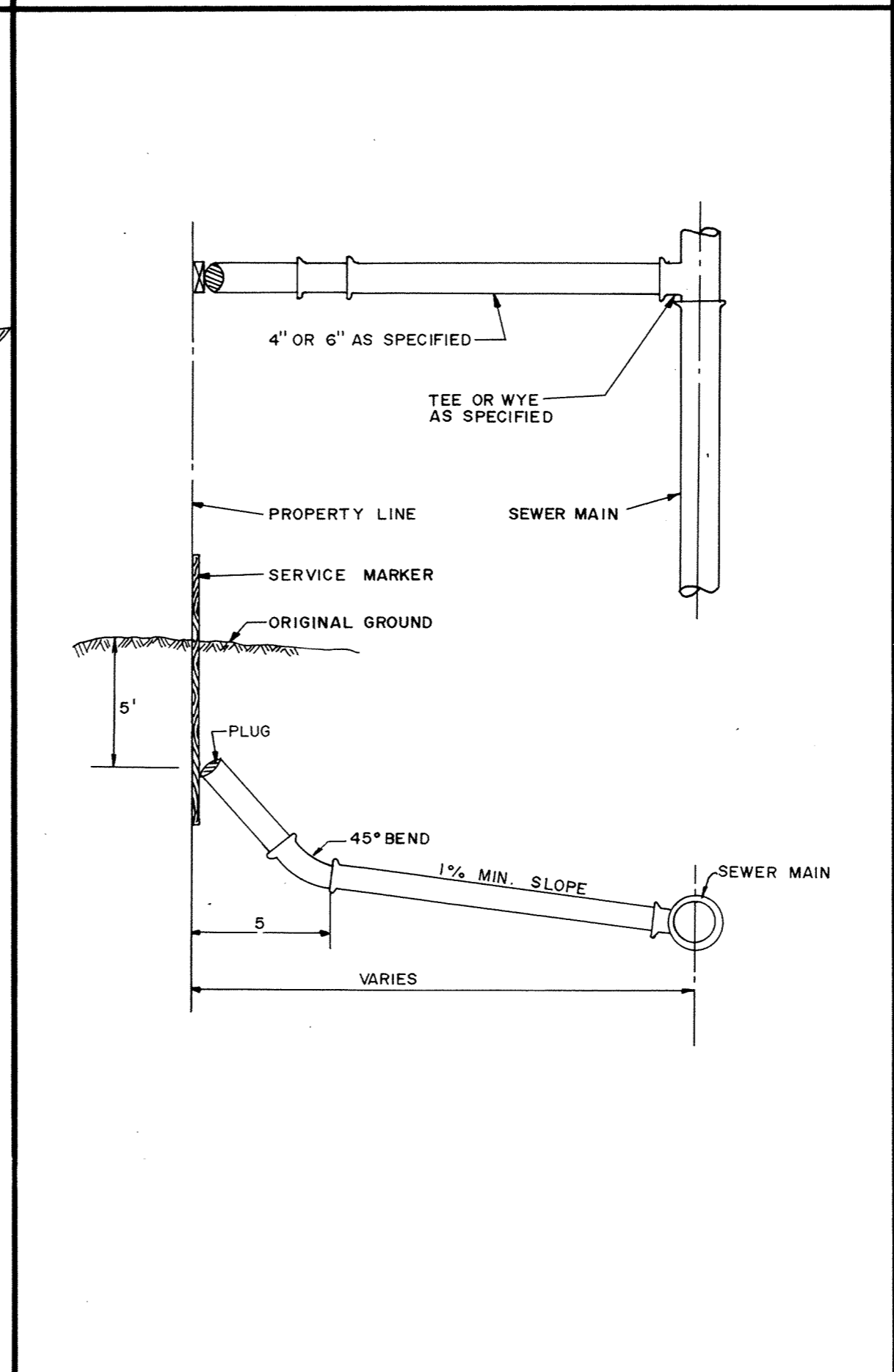
CLASS B PIPE BEDDING



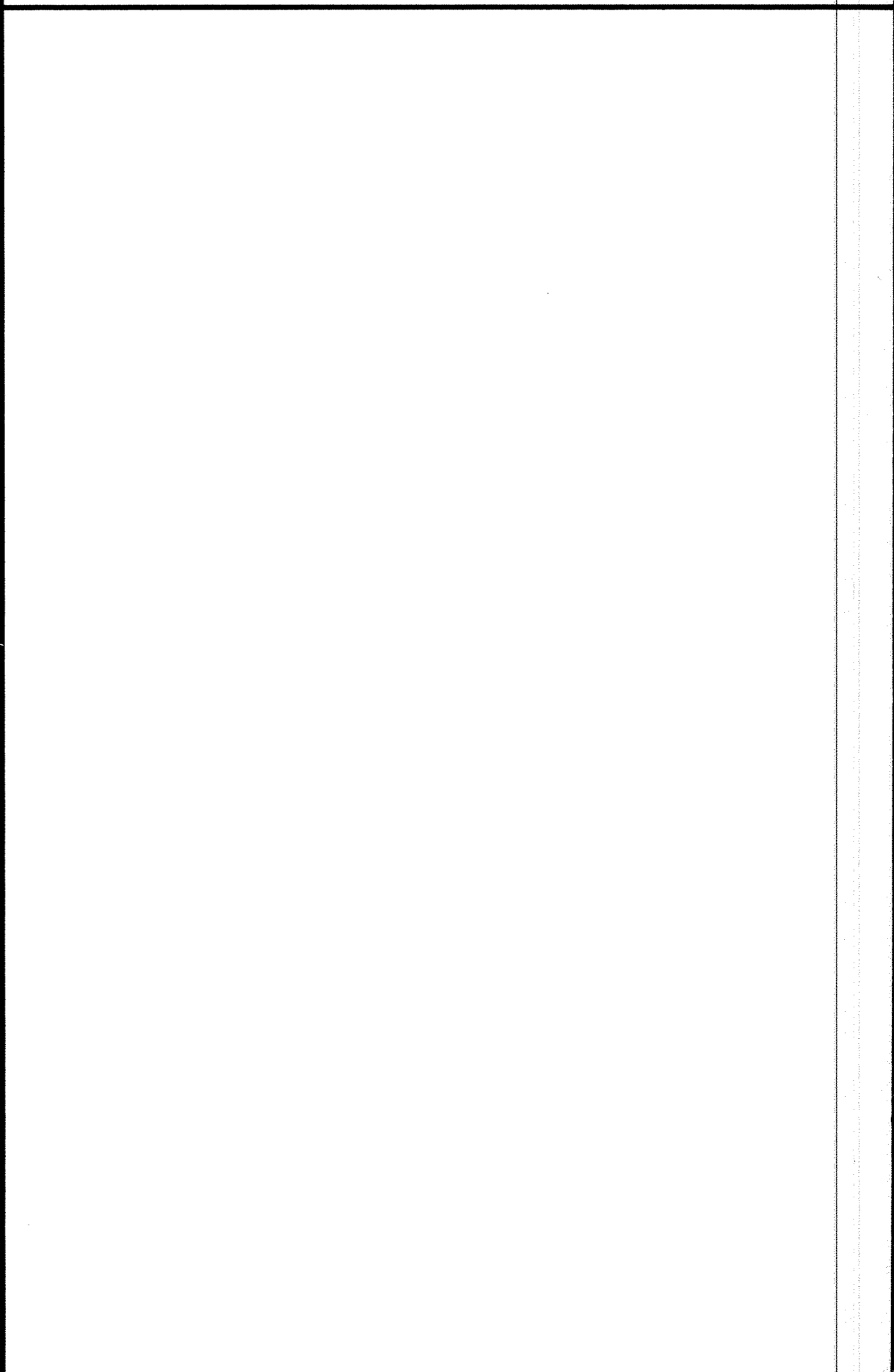
SLAB TOP MANHOLE



SERVICE RISER SECTION



TYPICAL HOUSE SERVICE



RECORD PLAN NOV 1988

		DESIGNED _____	CITY OF ELK RIVER SANITARY SEWER DETAILS
		CHECKED _____	
1959 SLOAN PLACE (612) 774 6021 ST. PAUL, MINNESOTA 55117		DRAWN <u>AR</u>	DATE <u>SEPT 1987</u> SHEET <u>25</u> OF <u>28</u> SHEETS PROJECT NO. <u>230-032</u>
		GRAPHIC SCALE 0 HORIZ. NONE 0 VERT.	

DRAWING NUMBER  
 JACKS: 87  
 25  
 MINNESOTA BLUEPRINT  
 200