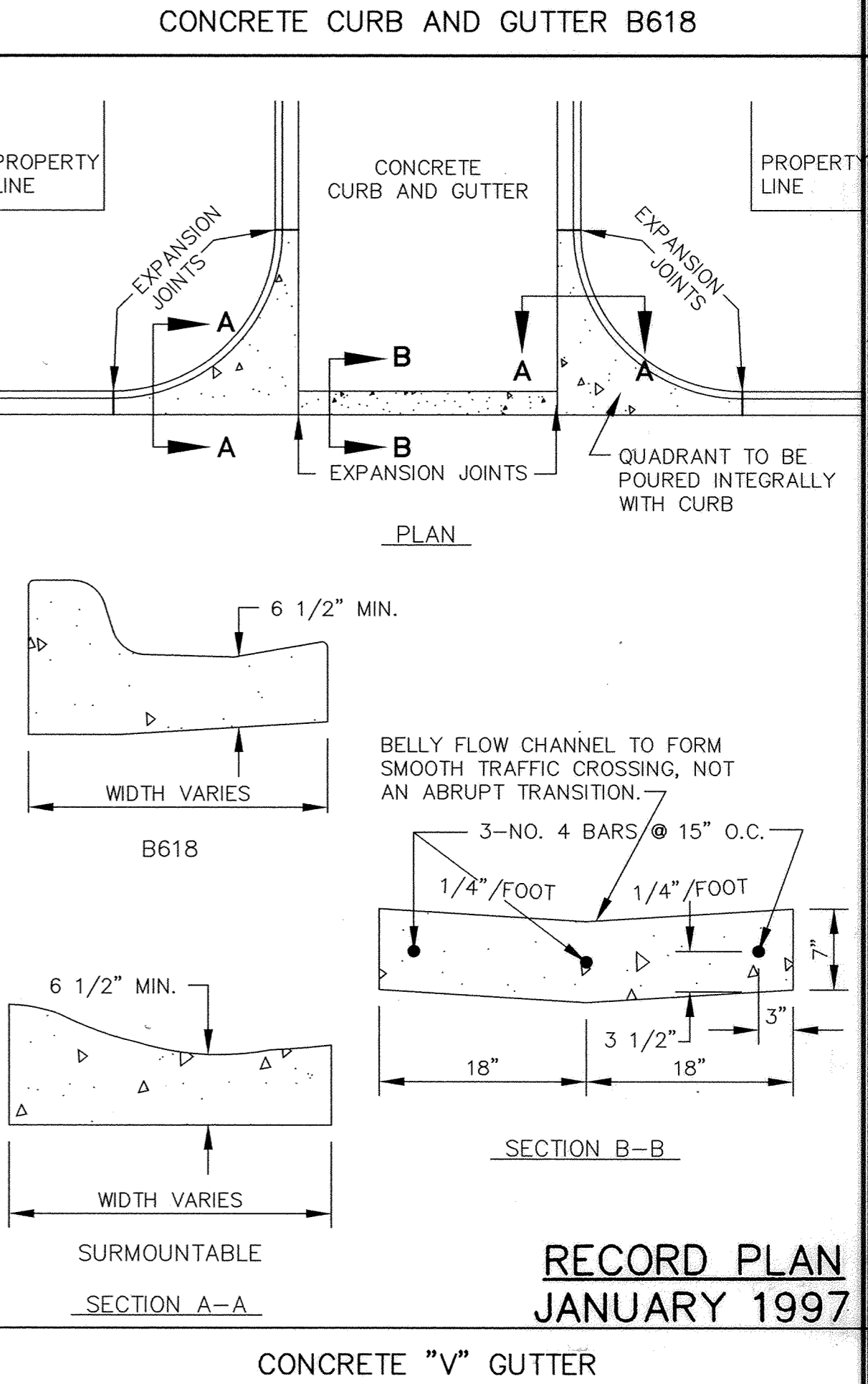
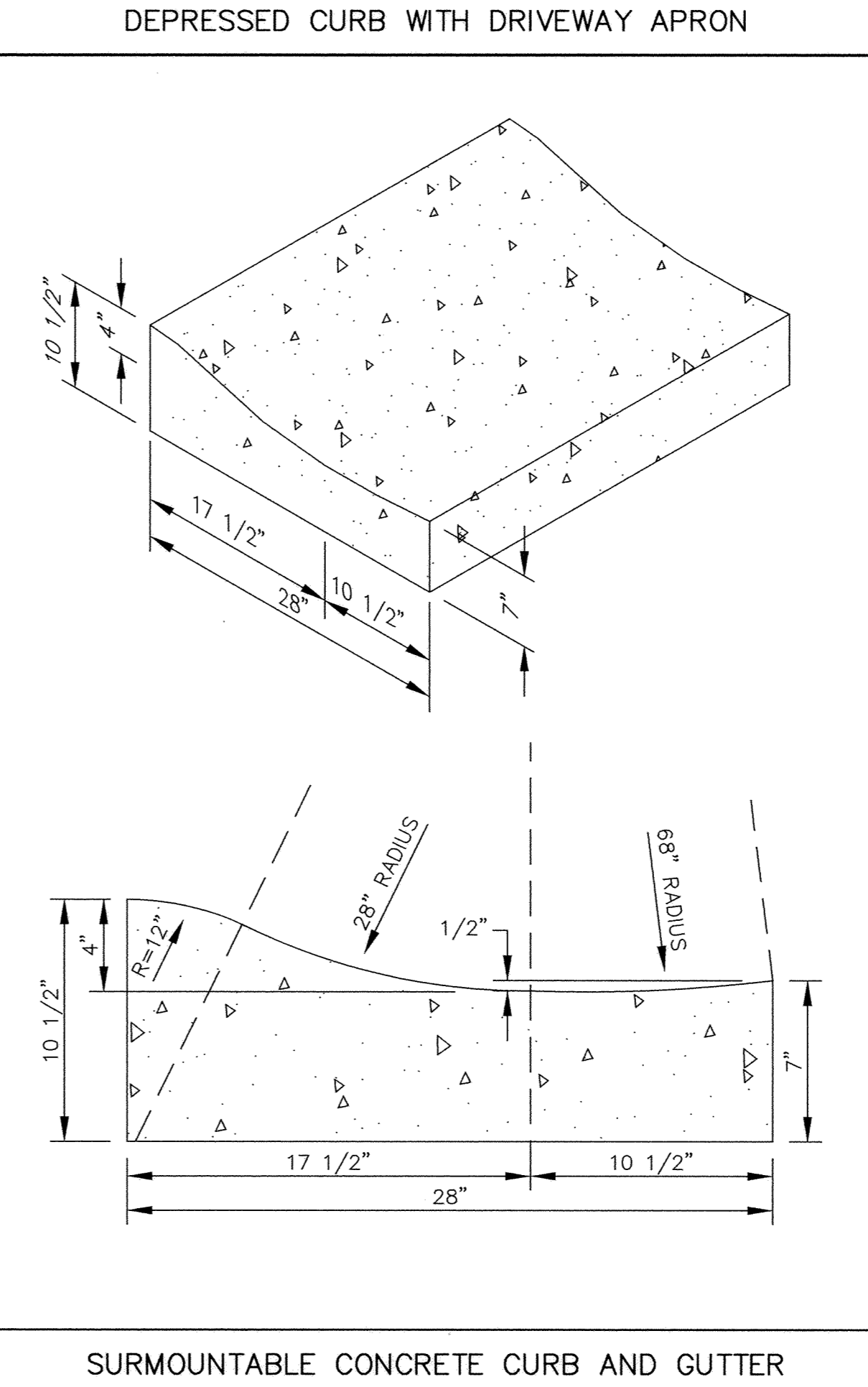
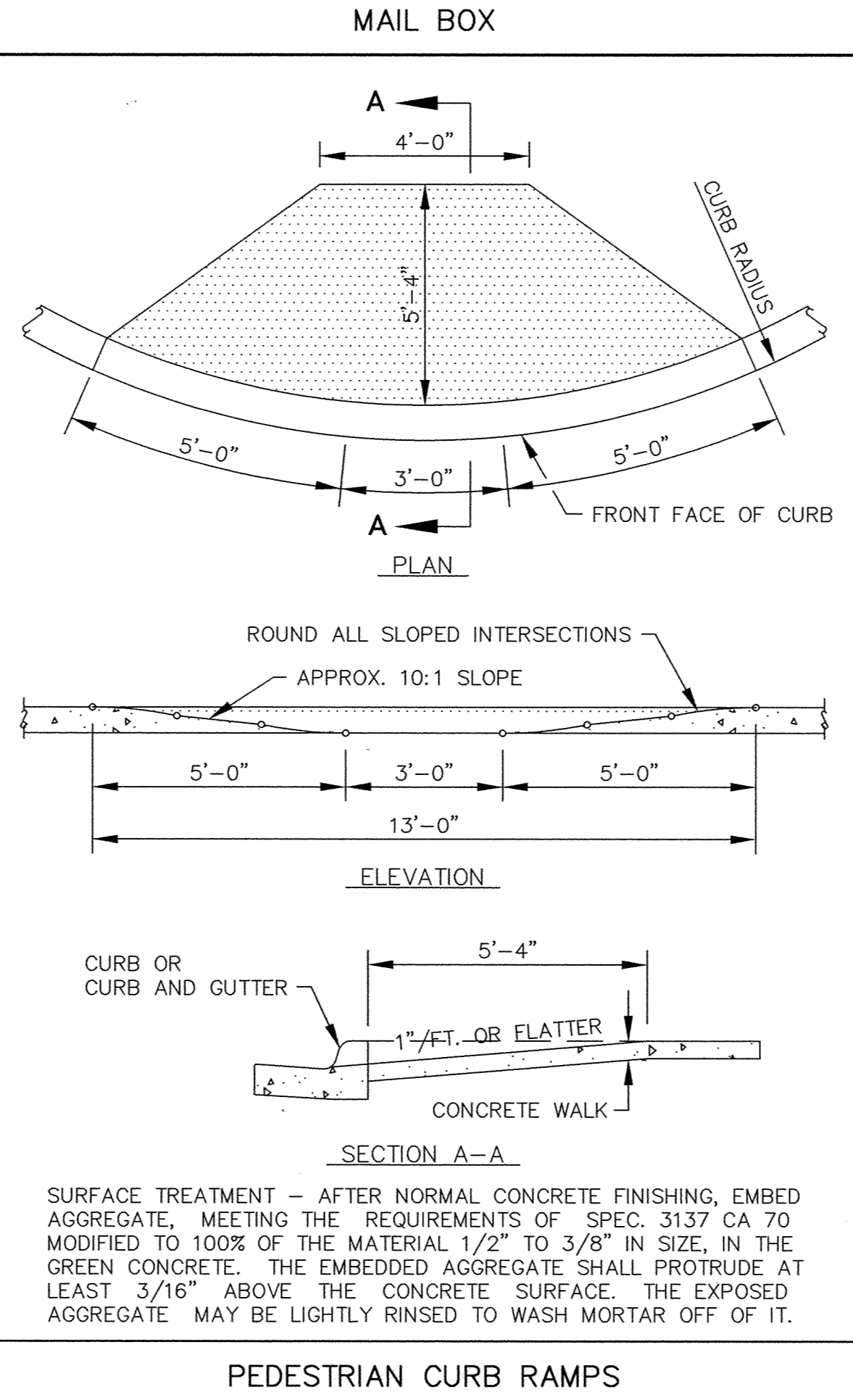
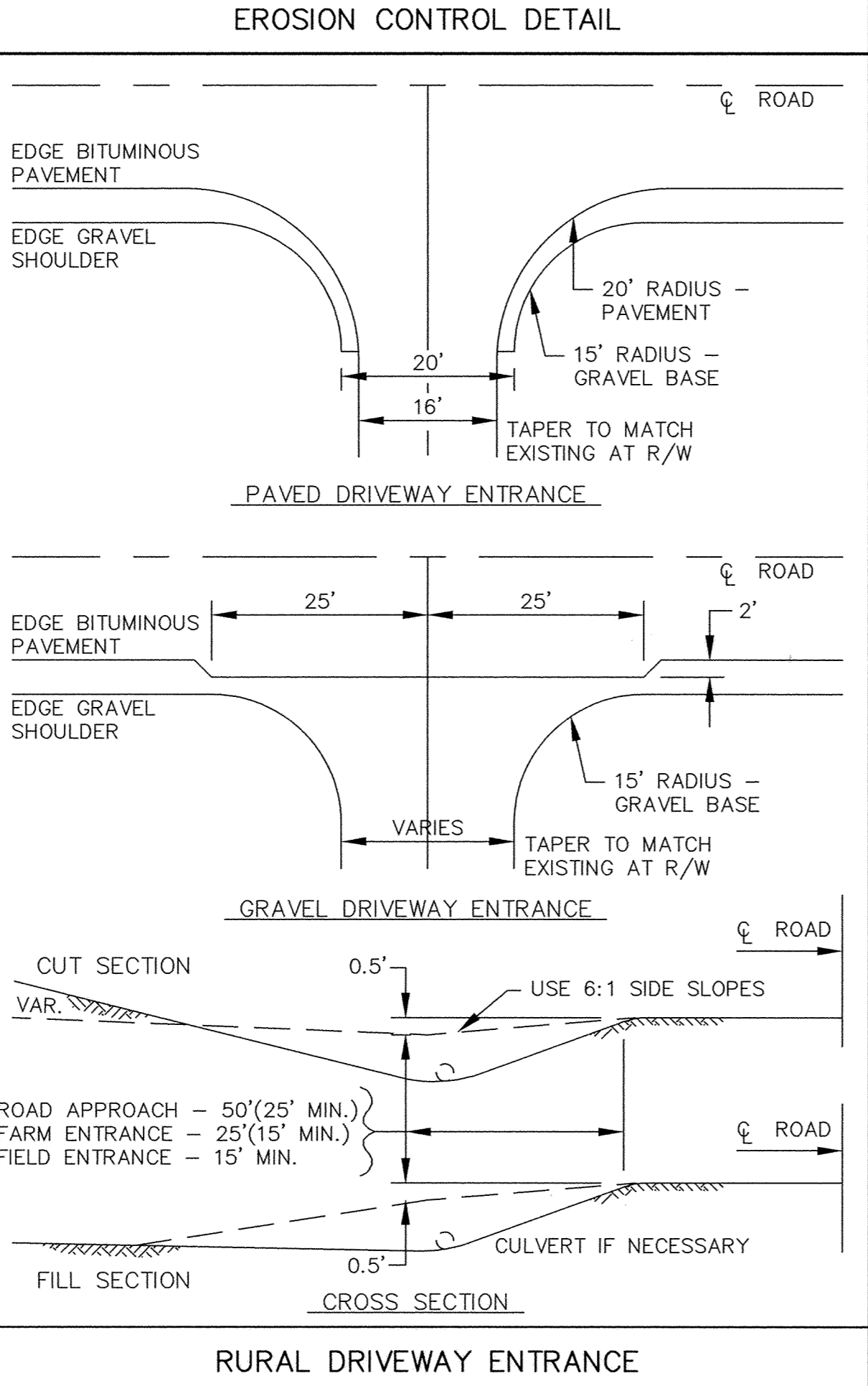
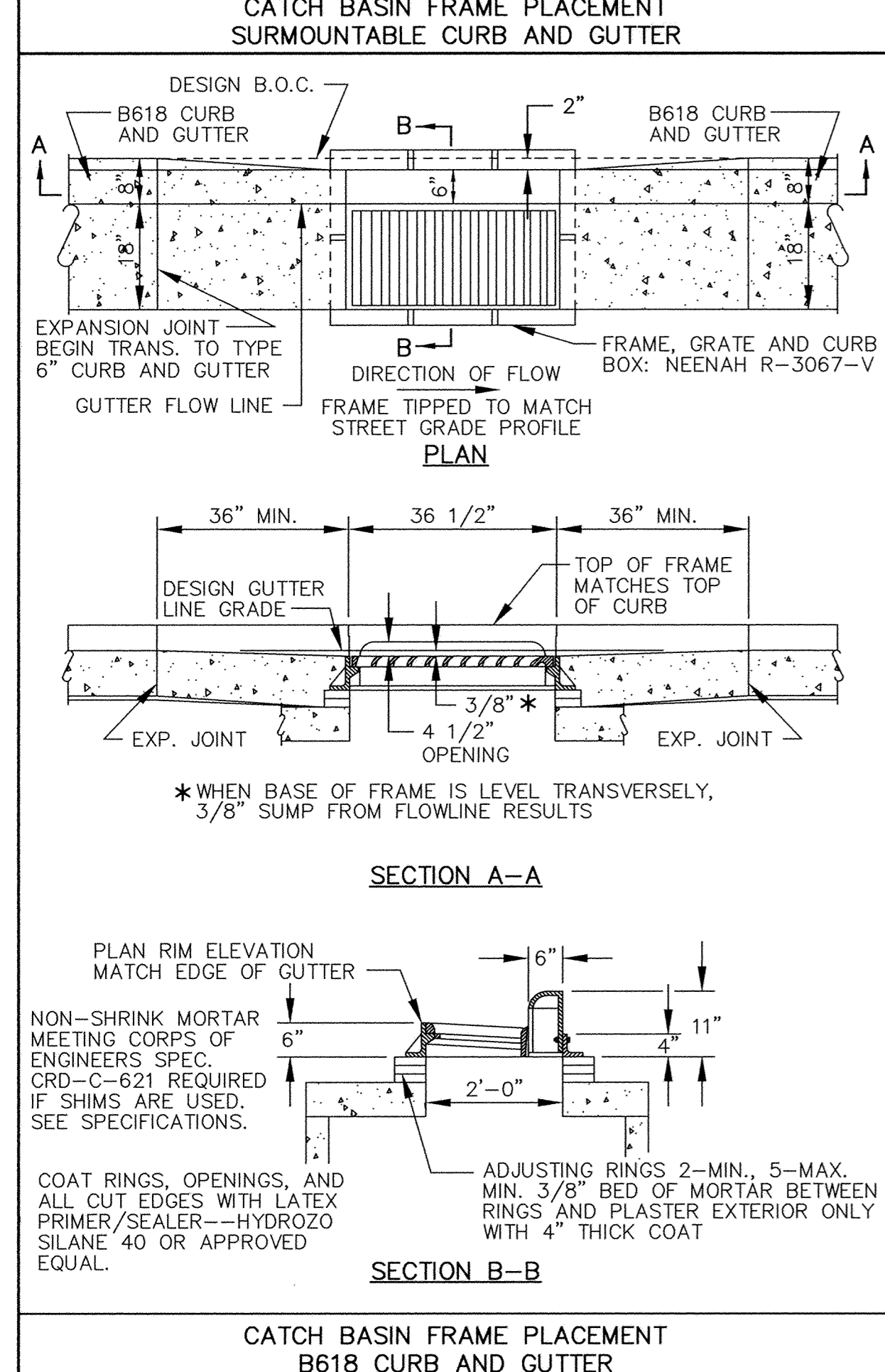
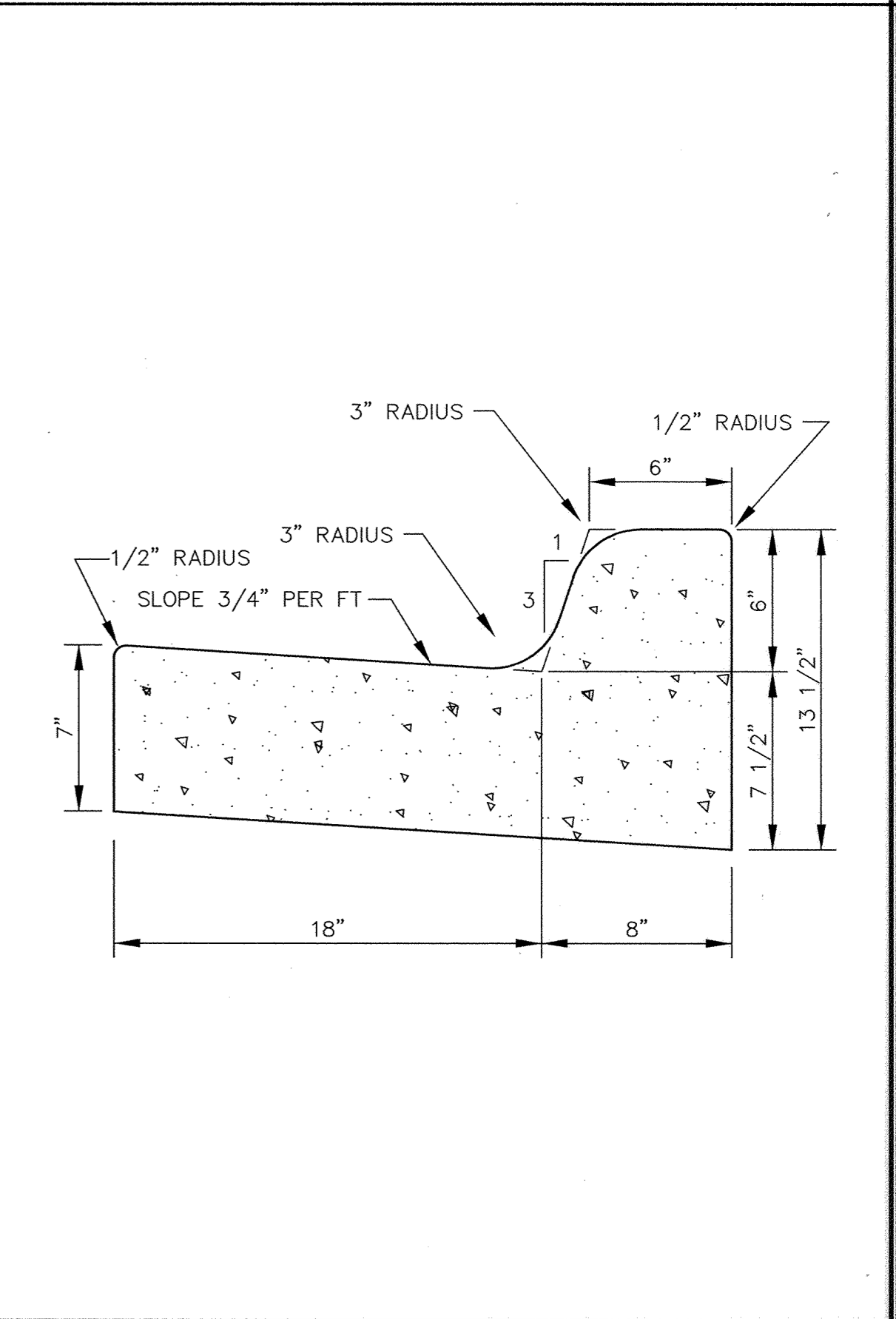
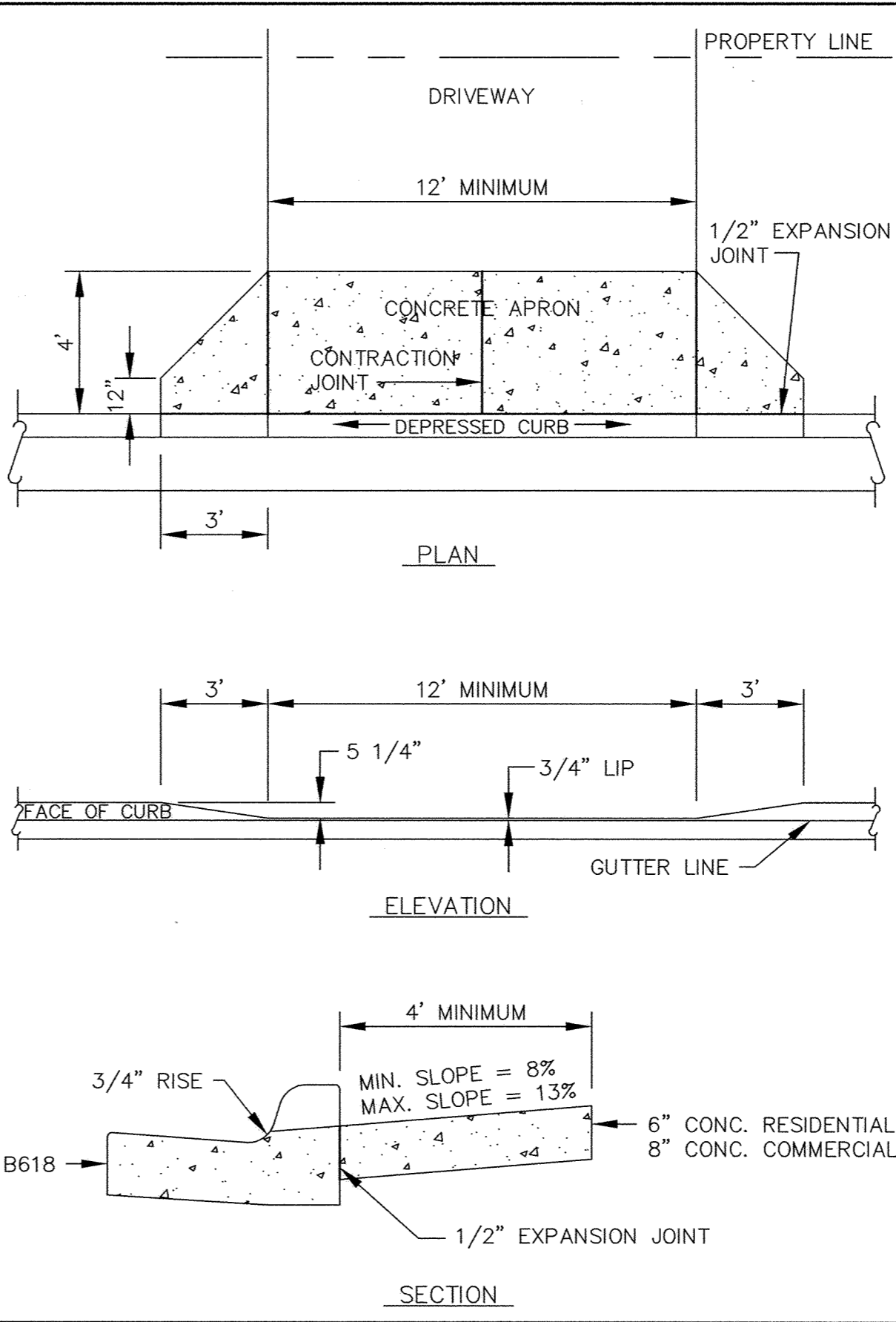
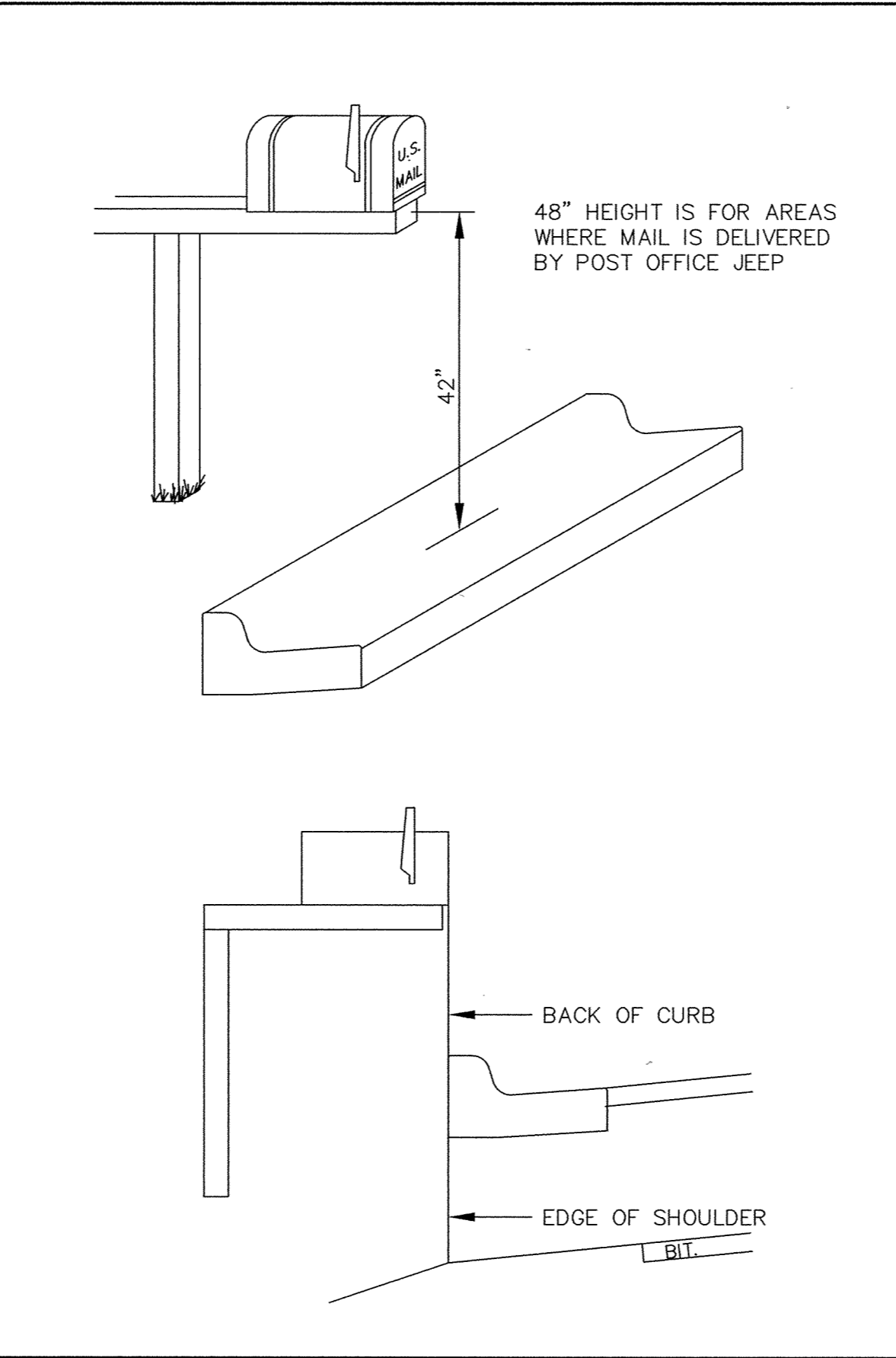
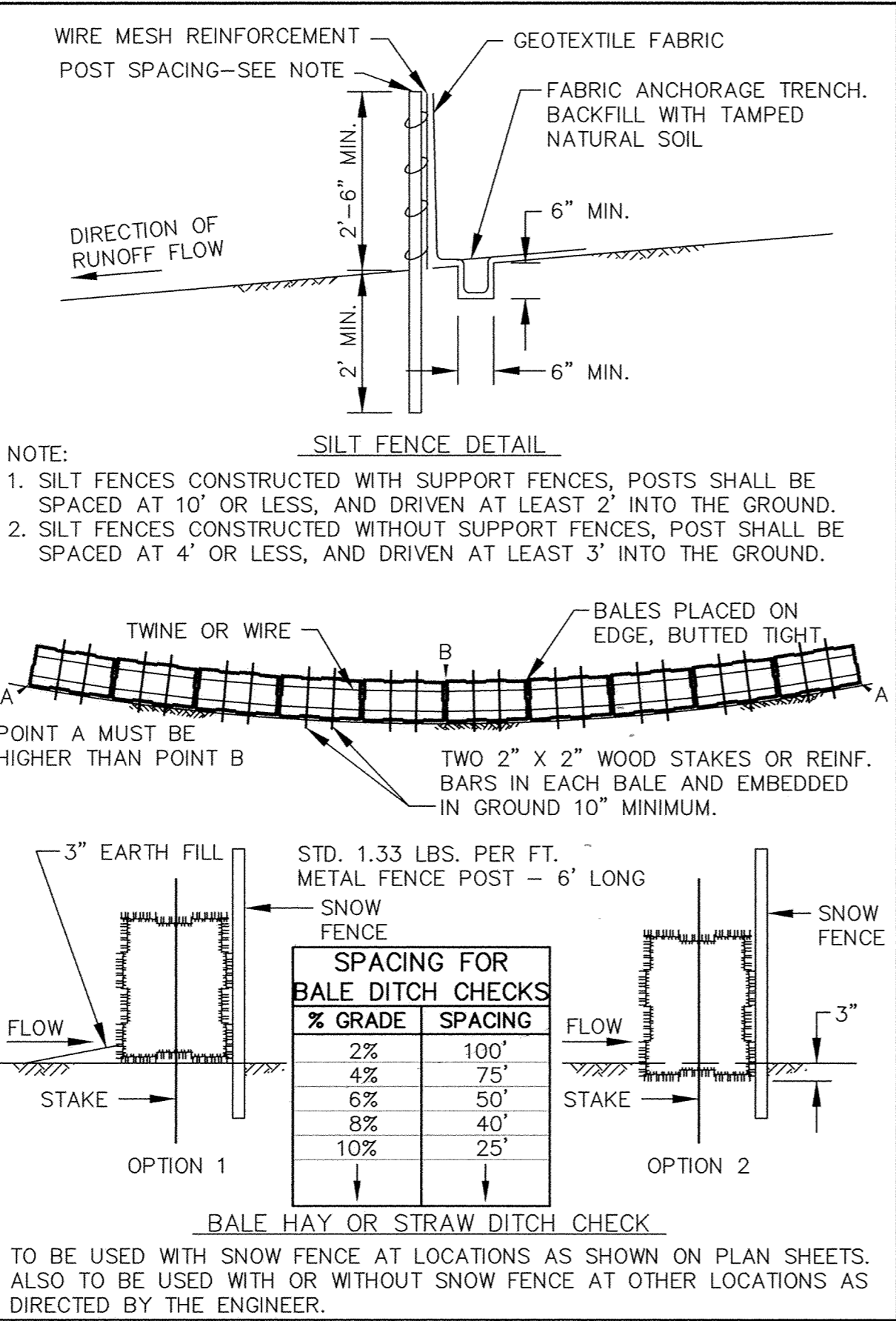
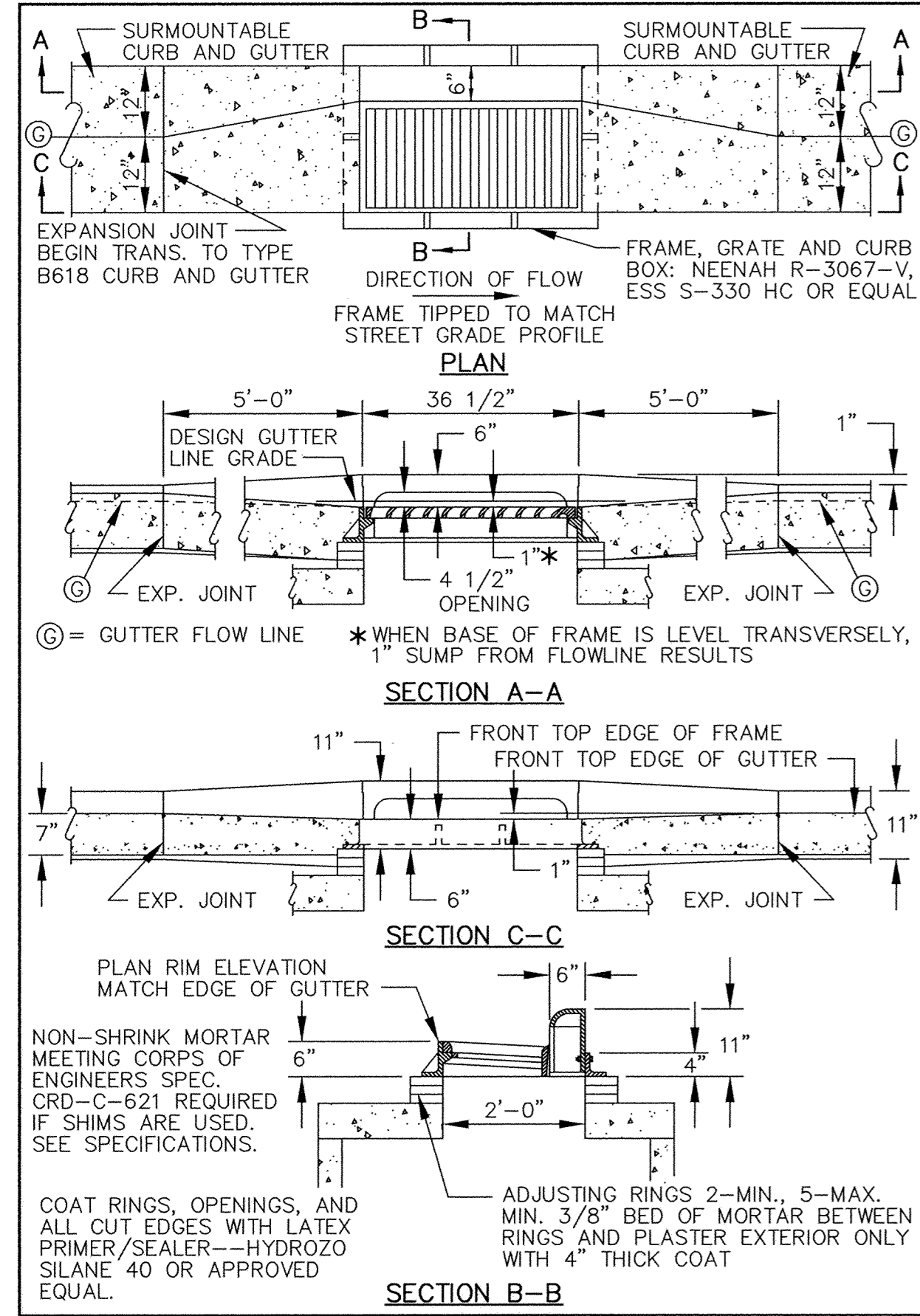


SD PRODUCTS - NEW HOPE, MINNESOTA
REORDER BY PART NUMBER 8552
SAFCO PRODUCTS - NEW HOPE, MINNESOTA
REORDER BY PART NUMBER 8552
SD PRODUCTS - NEW HOPE, MINNESOTA
REORDER BY PART NUMBER 8552
SAFCO PRODUCTS - NEW HOPE, MINNESOTA
REORDER BY PART NUMBER 8552



ER292-D3

I HEREBY CERTIFY THAT THIS PLAN, SPECIFICATION, OR REPORT WAS PREPARED BY ME OR UNDER MY DIRECT SUPERVISION AND THAT I AM A DULY REGISTERED PROFESSIONAL ENGINEER UNDER THE LAWS OF THE STATE OF MINNESOTA.

DATE 8/21/96 REG. NO. 15316

1326 ENERGY PARK DRIVE
ST. PAUL, MINNESOTA 55108
(612) 644-4389

MSA CONSULTING ENGINEERS

DATE	DESCRIPTION	DESIGNED	SEF
		CHECKED	
		DRAWN	RKM
		GRAPHIC SCALE	
		0 HORIZ.	
		0 VERT.	

CITY OF ELK RIVER
HILLSIDE ESTATES FIFTH ADDITION
STREET CONSTRUCTION DETAILS

DATE JULY 1996 SHEET 16 OF 16 SHEETS PROJECT NO. 230-292

RECORD PLAN
JANUARY 1997

1059