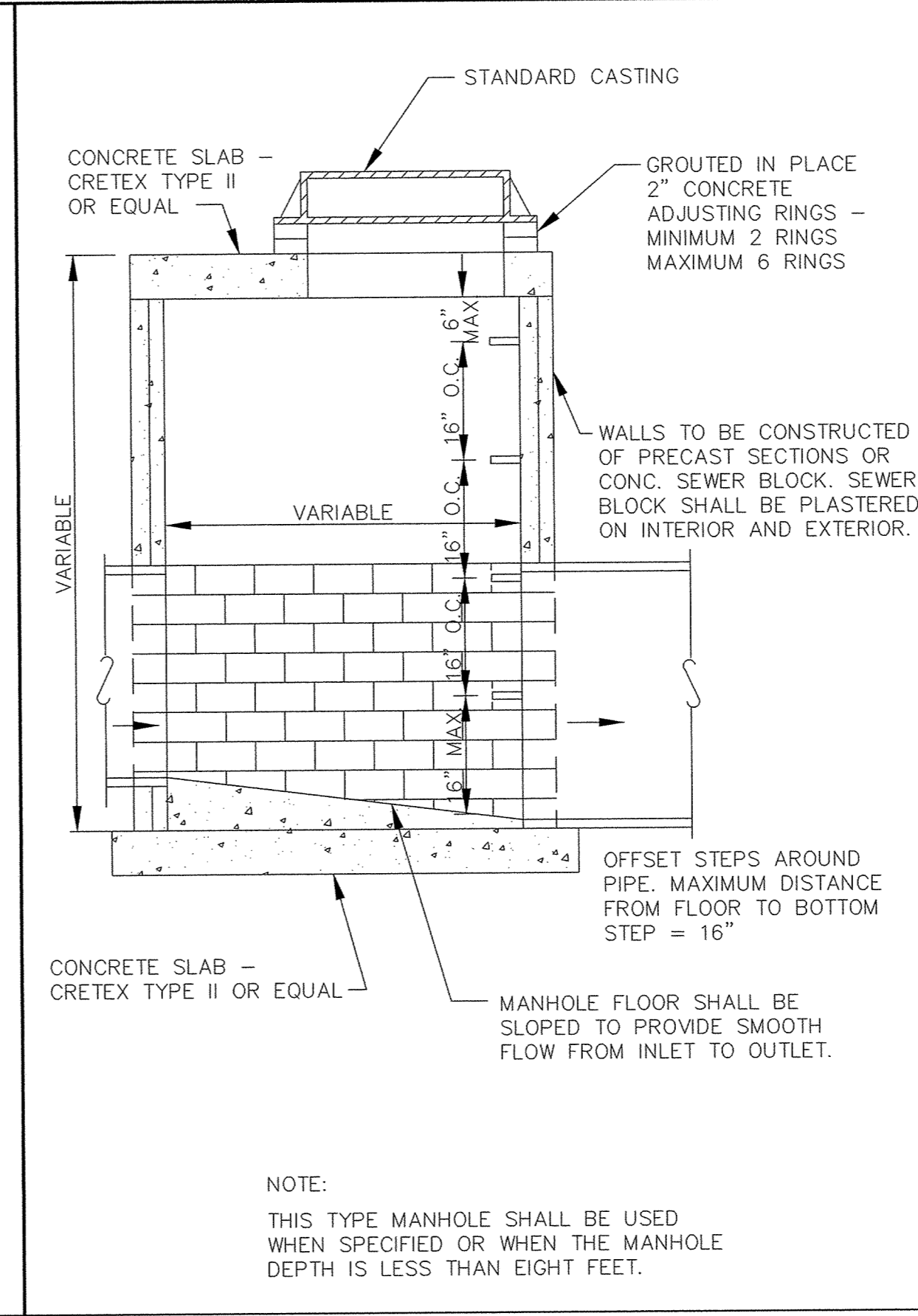
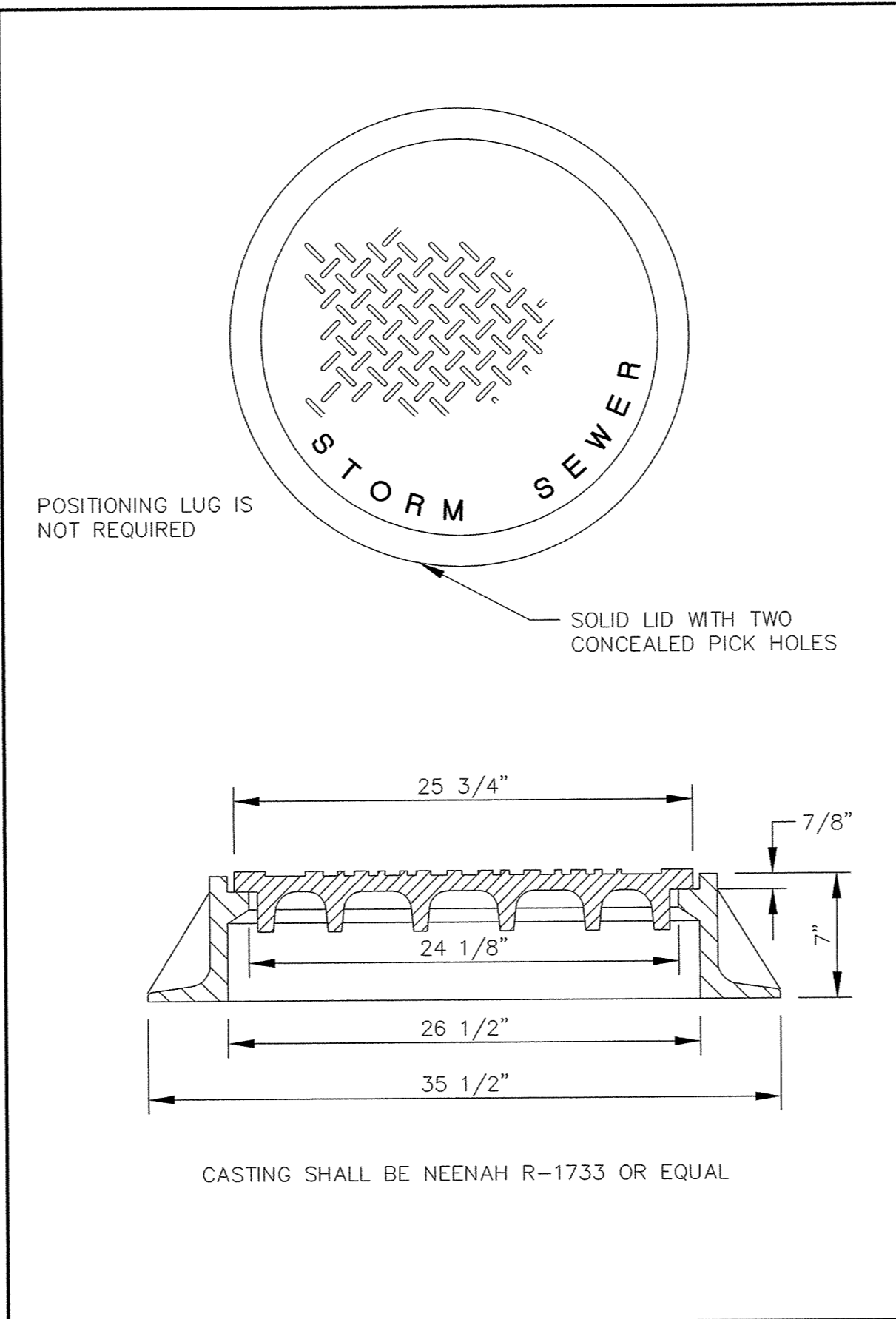


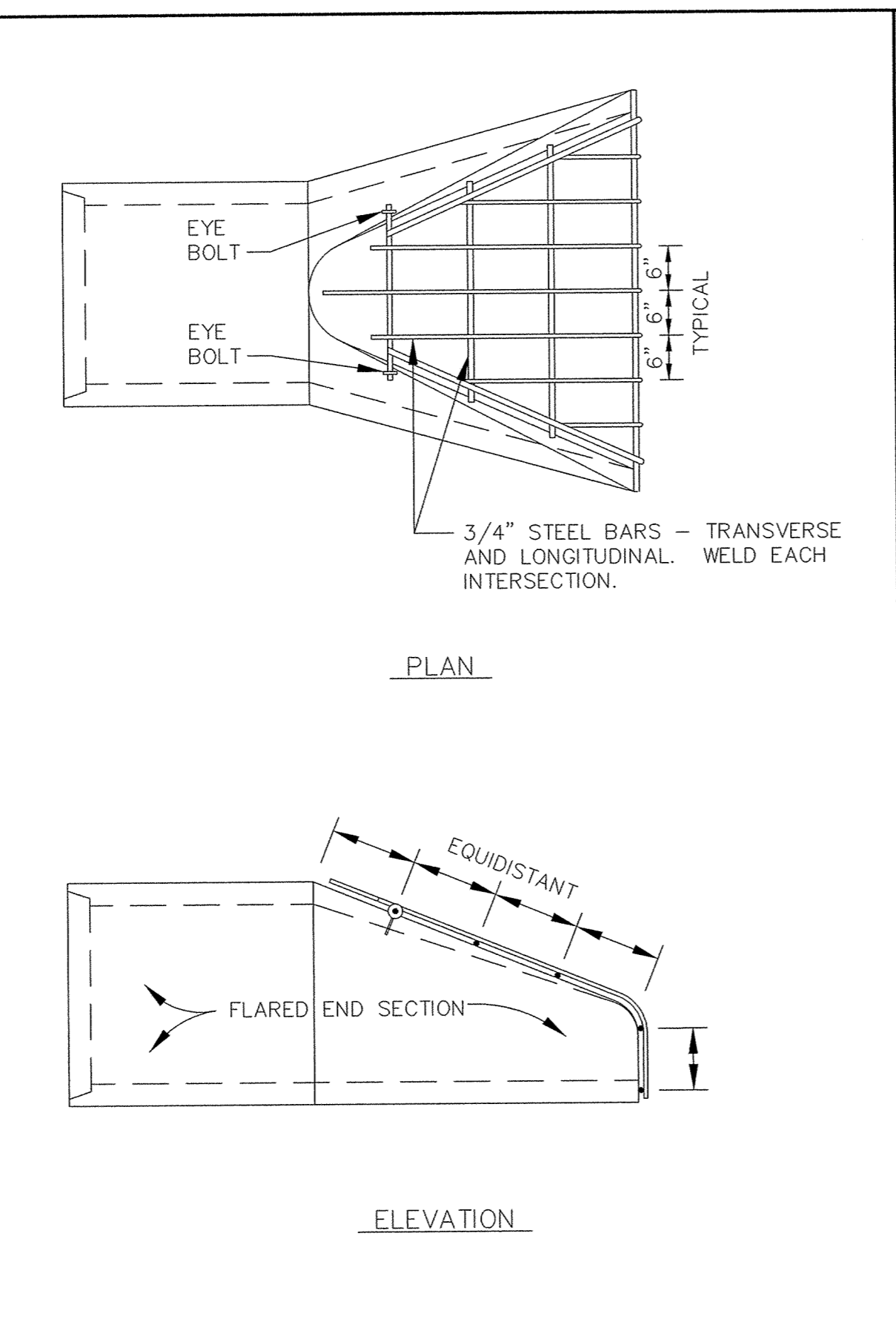
STANDARD MANHOLE



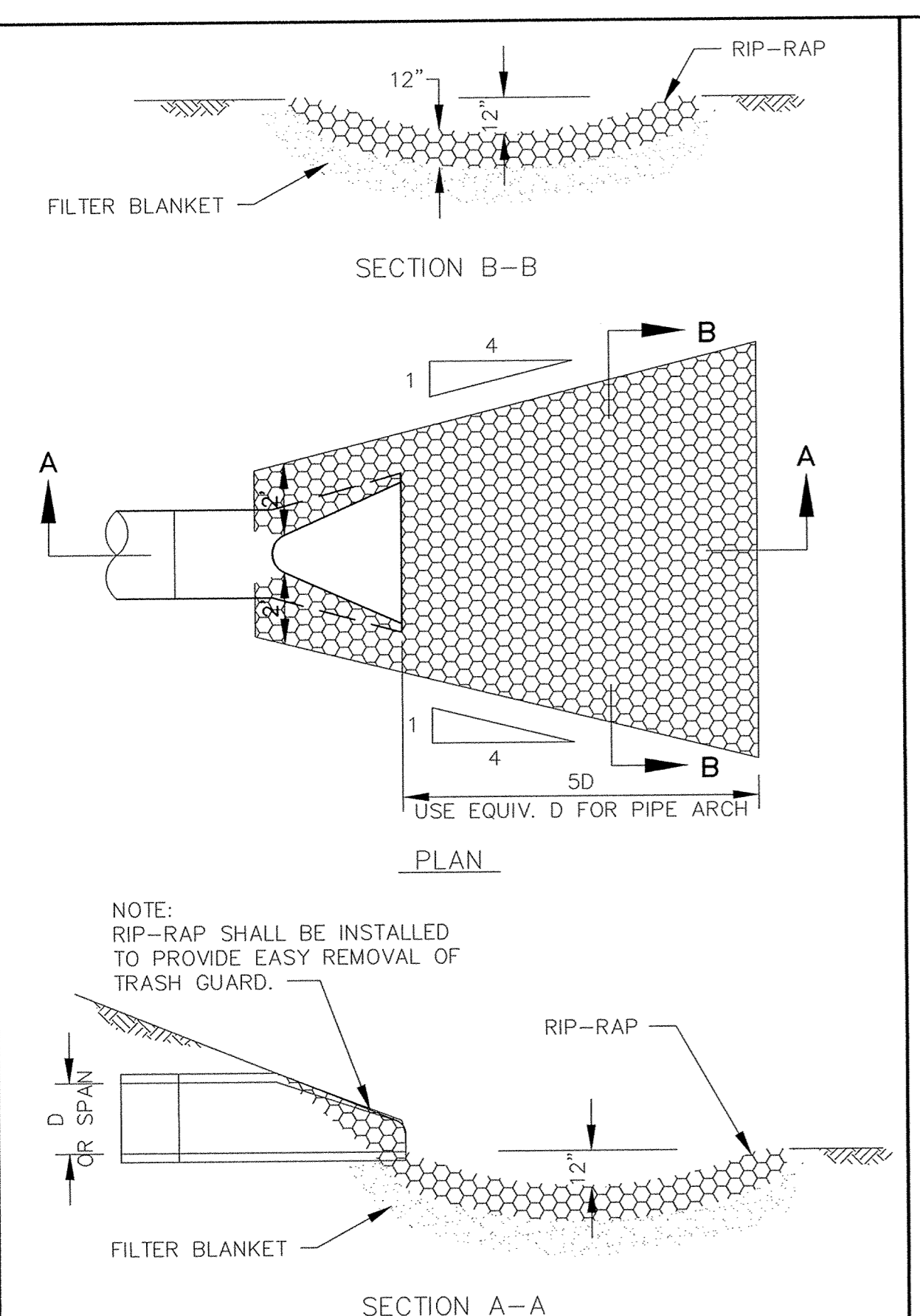
SLAB TOP MANHOLE



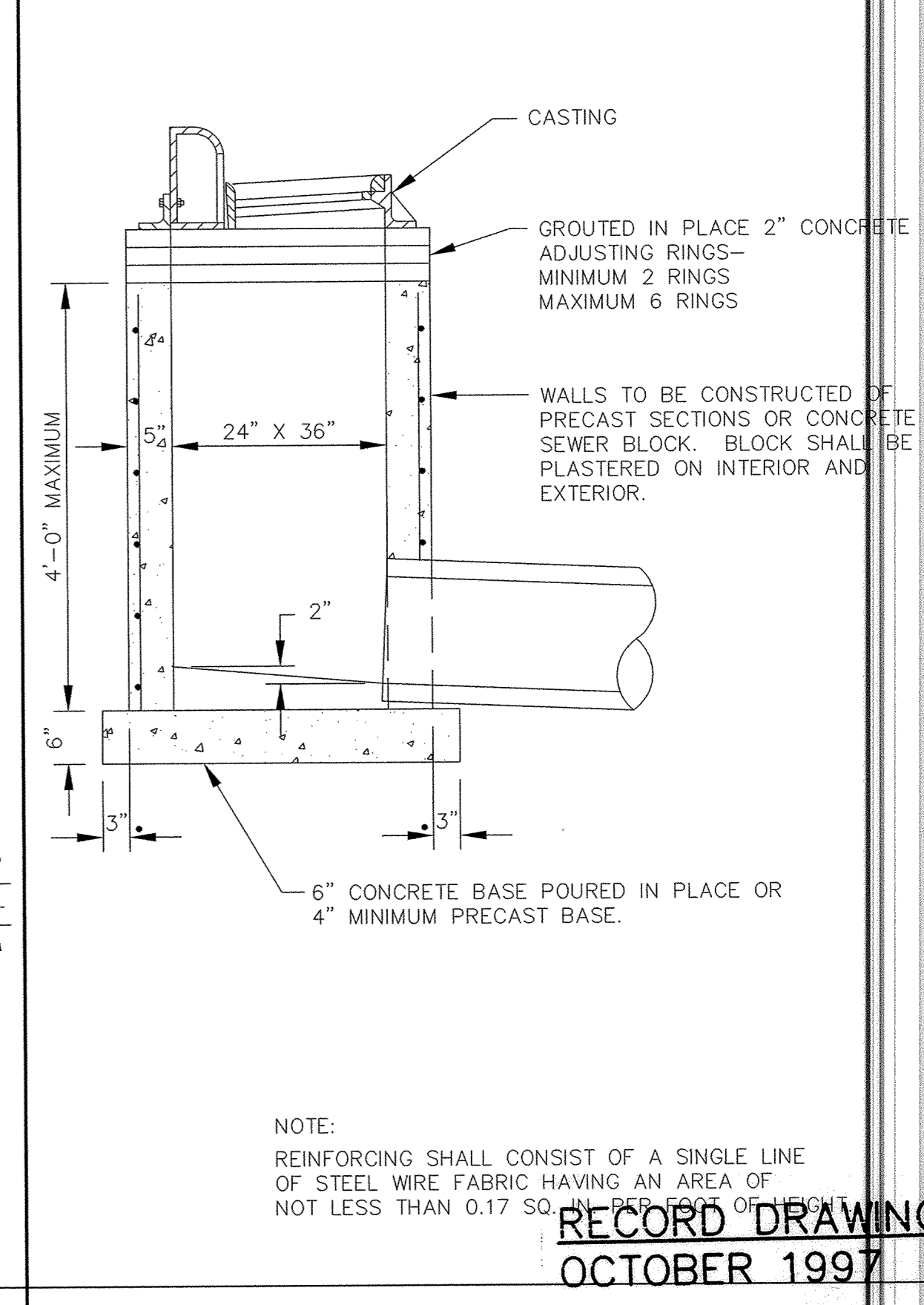
STANDARD MANHOLE CASTING



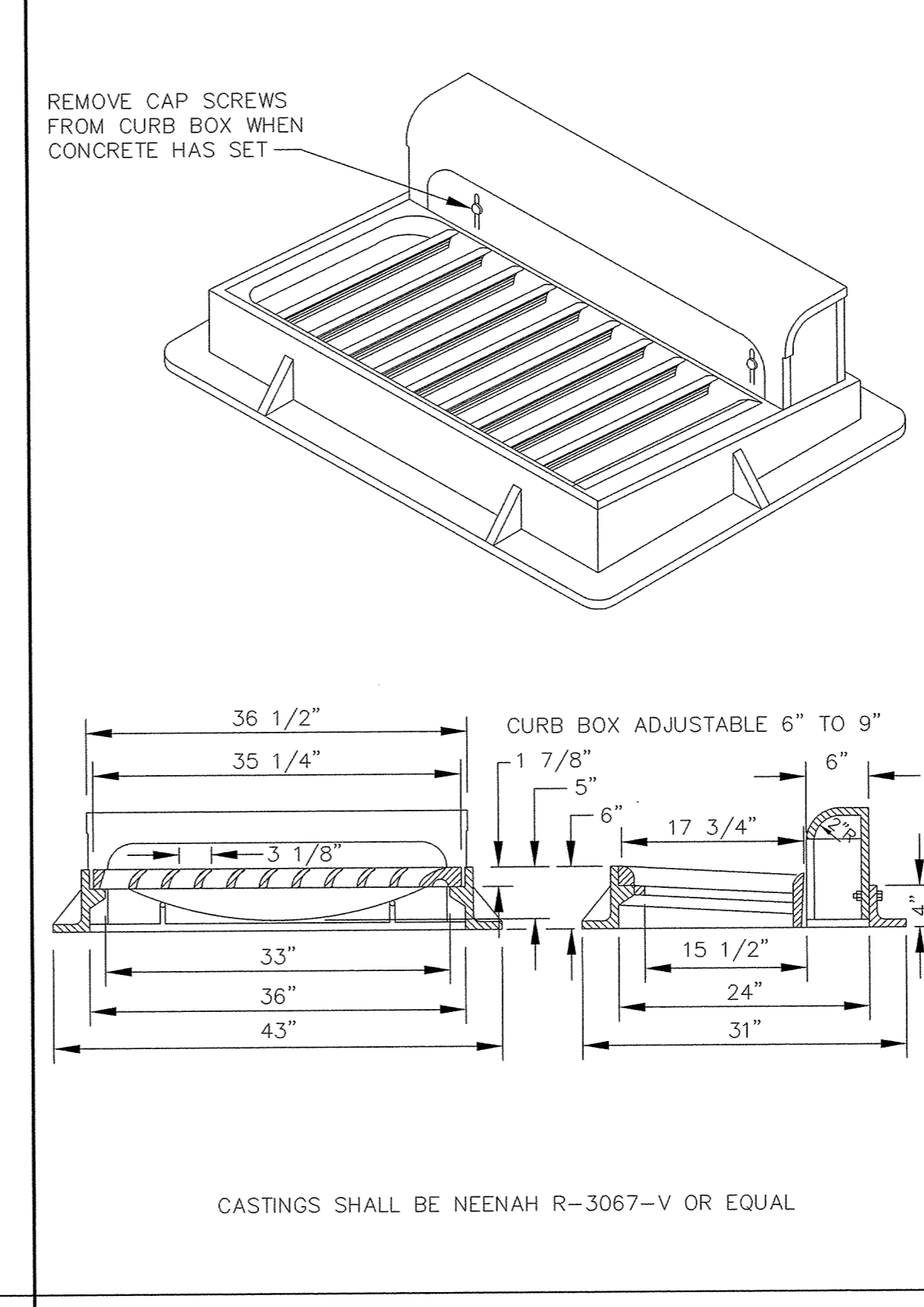
TRASH GUARD



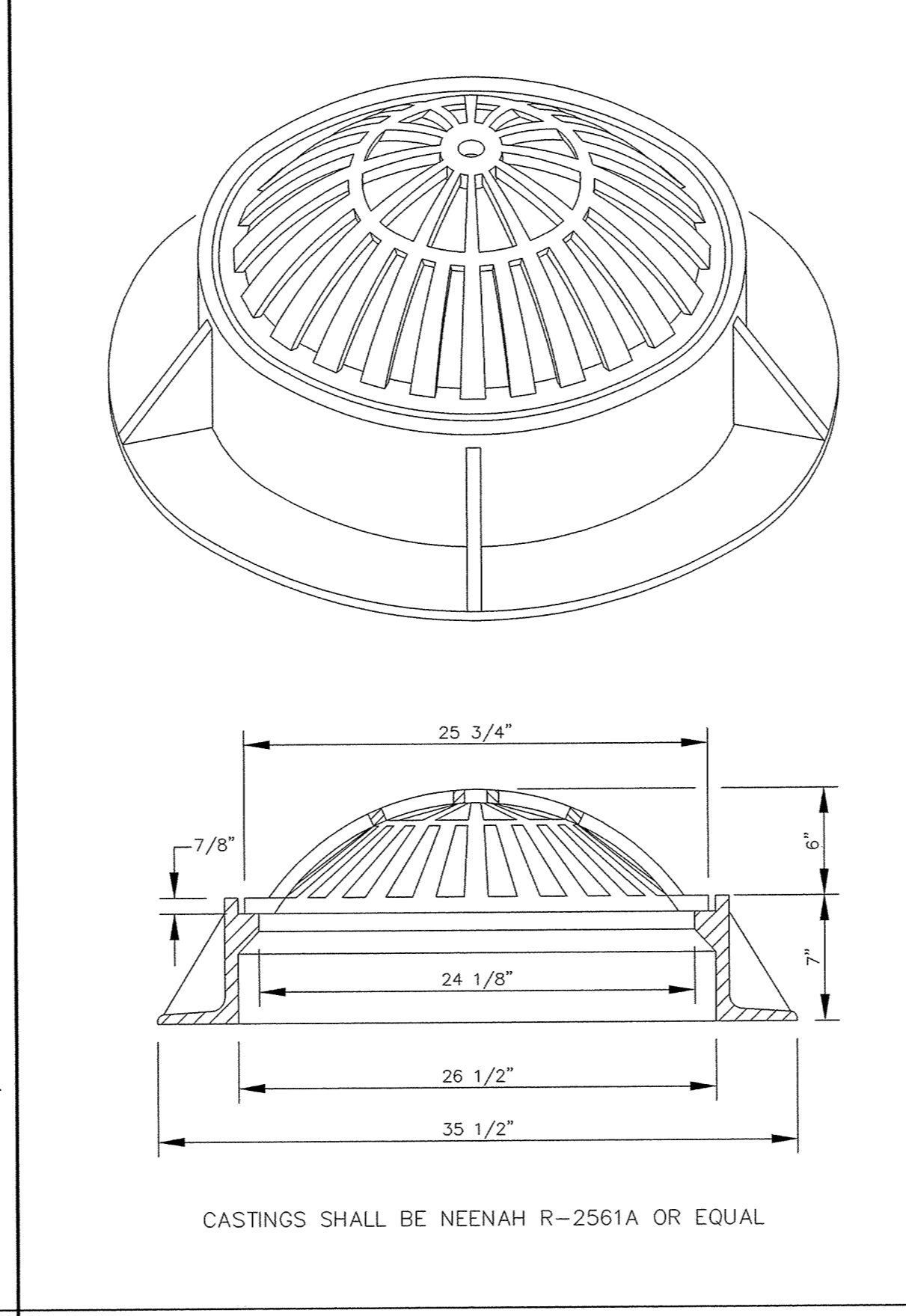
RIP-RAP INSTALLATION



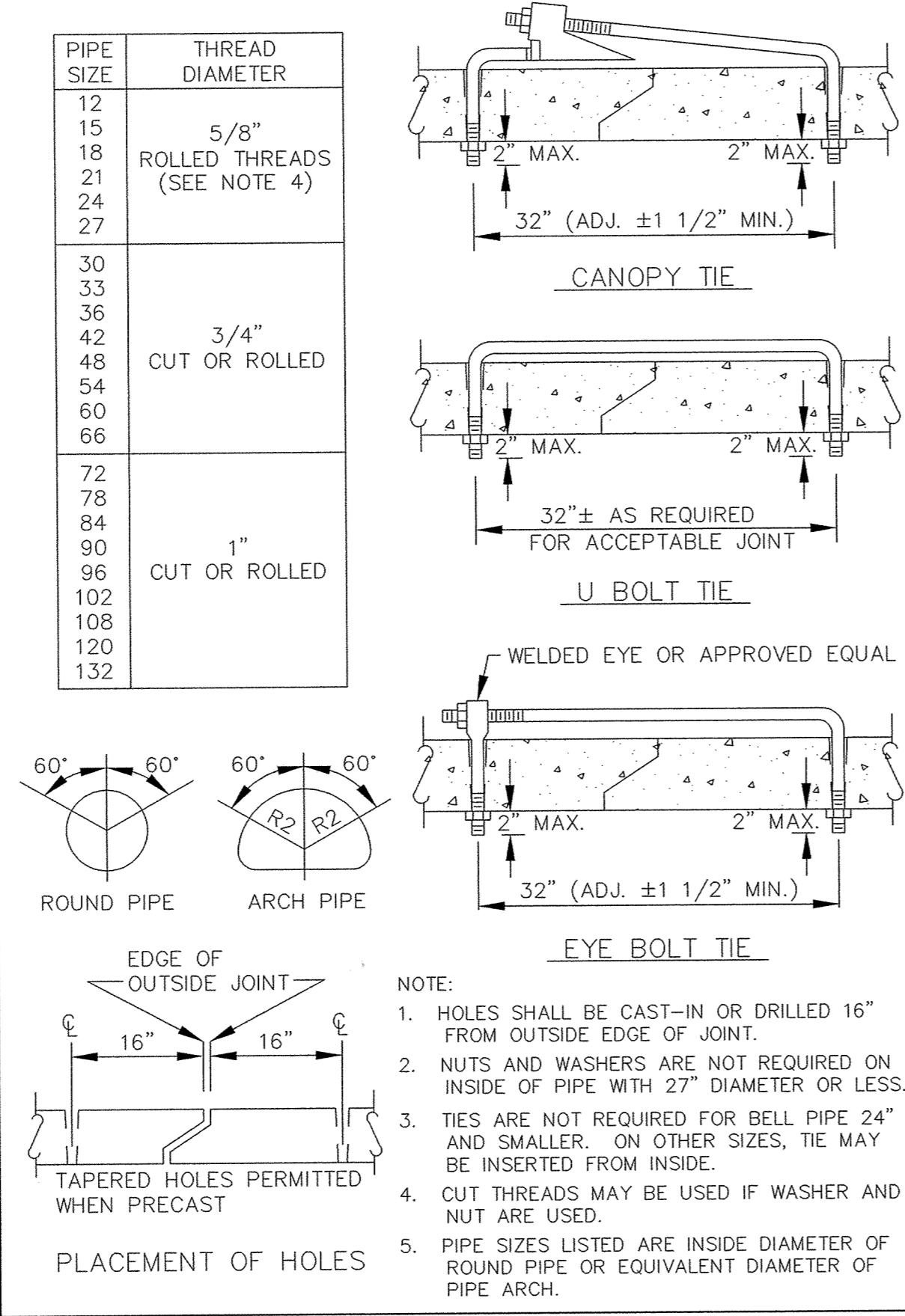
SHALLOW CATCH BASIN



STANDARD INLET CASTING



BEEHIVE CASTING



CONCRETE PIPE JOINT TIES

CITY OF ELK RIVER
STORM SEWER DETAIL SHEET
HILLSIDE ESTATE THIRD ADDITION

DATE SEPT. 1994 SHEET 15 OF 15 SHEETS PROJECT NO. 223-227

DATE	DESCRIPTION	DESIGNED
		CHECKED
		DRAWN
		GRAPHIC SCALE
		0 HORIZ. N/A
		0 VERT. 5

I HEREBY CERTIFY THAT THIS PLAN, SPECIFICATION, OR REPORT WAS PREPARED BY ME OR UNDER MY DIRECT SUPERVISION AND THAT I AM A DULY REGISTERED PROFESSIONAL ENGINEER UNDER THE LAWS OF THE STATE OF MINNESOTA.

Tommy Moore
DATE 10/10/94 REG. NO. 15316

1326 ENERGY PARK DRIVE
ST. PAUL, MINNESOTA 55108
(612) 644-4389

9800 SHELARD PARKWAY
MINNEAPOLIS, MINNESOTA 55441
(612) 546-0432

MSA CONSULTING ENGINEERS

ER227-D

1106