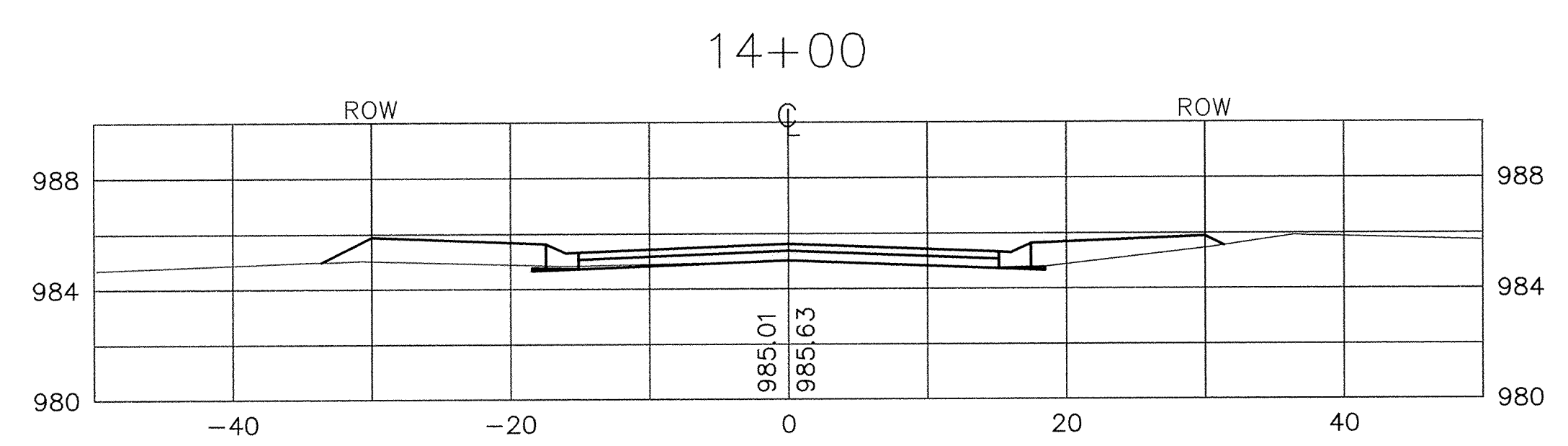
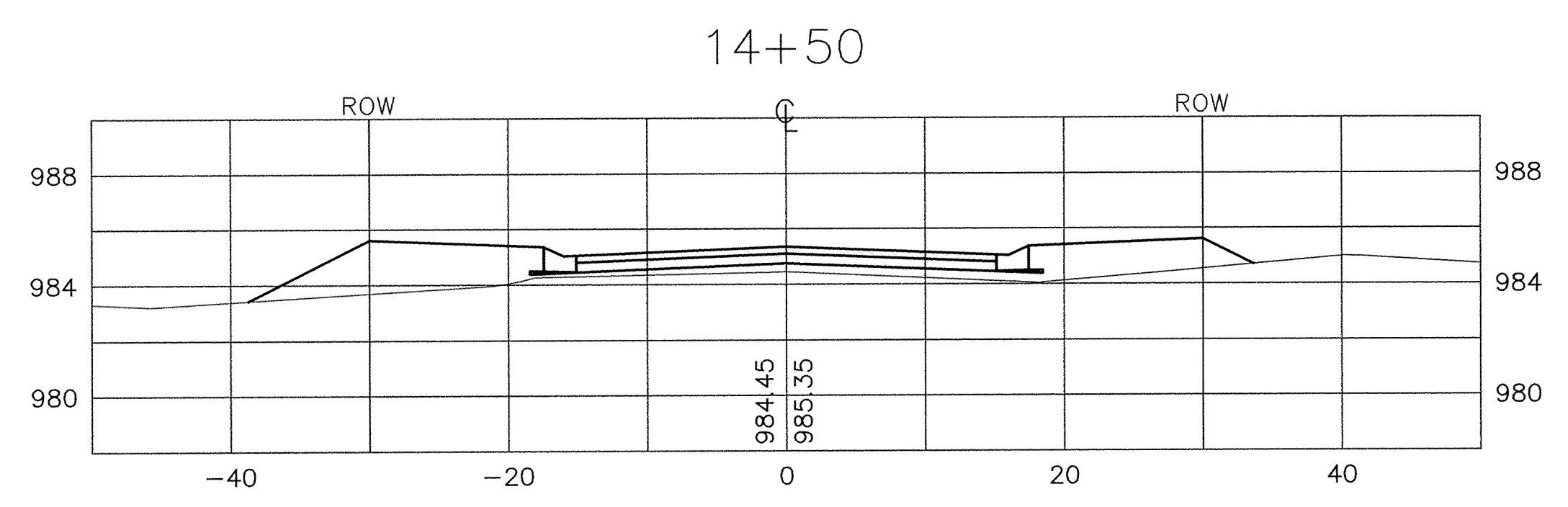
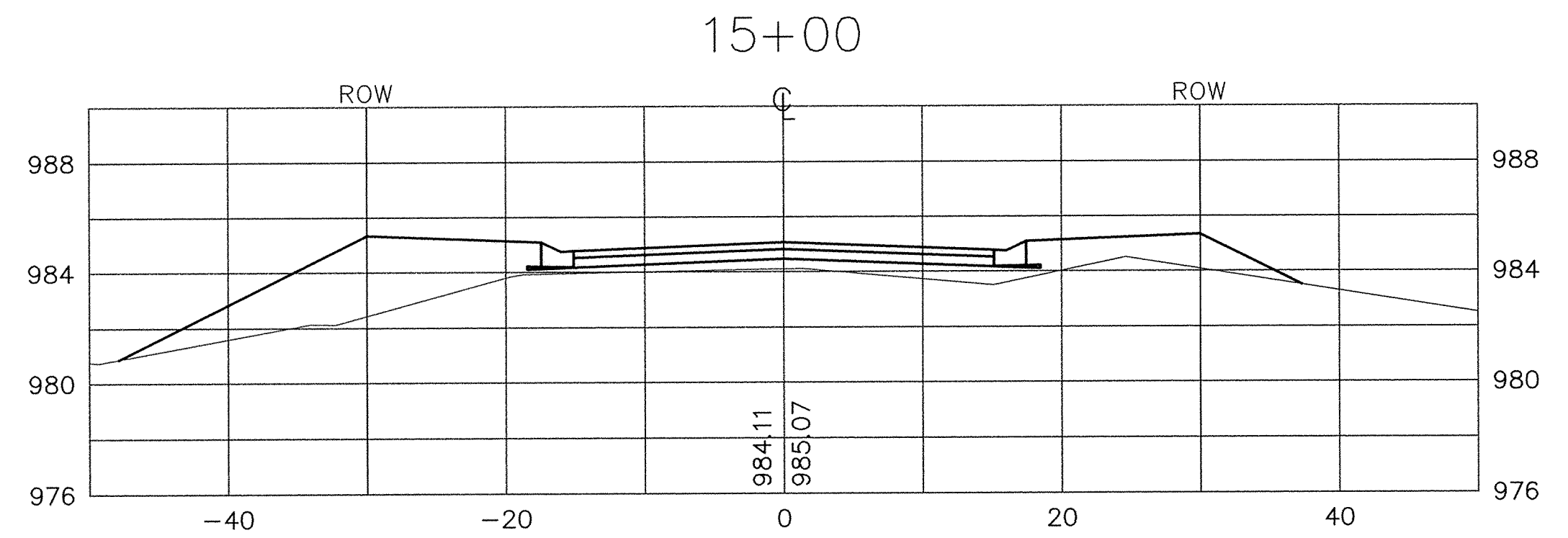


SARGO PRODUCTS • NEW HARBOR, MINNESOTA
 REORDER BY PART NUMBER 8552
 SARGO PRODUCTS • NEW HARBOR, MINNESOTA
 REORDER BY PART NUMBER 8552
 SARGO PRODUCTS • NEW HARBOR, MINNESOTA
 REORDER BY PART NUMBER 8552
 SARGO PRODUCTS • NEW HARBOR, MINNESOTA
 REORDER BY PART NUMBER 8552



RECORD DRAWING
OCTOBER 1997

CITY OF ELK RIVER
AUBURN STREET
CROSS SECTIONS
14+00 TO 15+00

DATE SEPT 1994 SHEET 14 OF 15 SHEETS PROJECT NO. 230-227

1107

| I HEREBY CERTIFY THAT THIS PLAN, SPECIFICATION, OR REPORT WAS PREPARED BY ME OR UNDER MY DIRECT SUPERVISION AND THAT I AM A DULY REGISTERED PROFESSIONAL ENGINEER UNDER THE LAWS OF THE STATE OF MINNESOTA. <i>Kevin Mauer</i> DATE <u>10/10/94</u> REG. NO. <u>15316</u> | | 1326 ENERGY PARK DRIVE ST. PAUL, MINNESOTA 55108 (612) 644-4389 9800 SHELARD PARKWAY MINNEAPOLIS, MINNESOTA 55441 (612) 546-0432 | <table border="1" style="width: 100%; border-collapse: collapse;"> <tr> <th style="writing-mode: vertical-rl; transform: rotate(180deg);">REVISIONS</th> <th>DATE</th> <th>DESCRIPTION</th> </tr> <tr><td> </td><td> </td><td> </td></tr> <tr><td> </td><td> </td><td> </td></tr> <tr><td> </td><td> </td><td> </td></tr> </table> | REVISIONS | DATE | DESCRIPTION | | | | | | | | | | <table border="1" style="width: 100%; border-collapse: collapse;"> <tr> <td>DESIGNED _____</td> </tr> <tr> <td>CHECKED _____</td> </tr> <tr> <td>DRAWN _____</td> </tr> <tr> <td>GRAPHIC SCALE 0 10 0 VERT. 5</td> </tr> </table> | DESIGNED _____ | CHECKED _____ | DRAWN _____ | GRAPHIC SCALE 0 10 0 VERT. 5 |
|---|------|---|--|-----------|------|-------------|--|--|--|--|--|--|--|--|--|---|----------------|---------------|-------------|------------------------------------|
| REVISIONS | DATE | DESCRIPTION | | | | | | | | | | | | | | | | | | |
| | | | | | | | | | | | | | | | | | | | | |
| | | | | | | | | | | | | | | | | | | | | |
| | | | | | | | | | | | | | | | | | | | | |
| DESIGNED _____ | | | | | | | | | | | | | | | | | | | | |
| CHECKED _____ | | | | | | | | | | | | | | | | | | | | |
| DRAWN _____ | | | | | | | | | | | | | | | | | | | | |
| GRAPHIC SCALE 0 10 0 VERT. 5 | | | | | | | | | | | | | | | | | | | | |