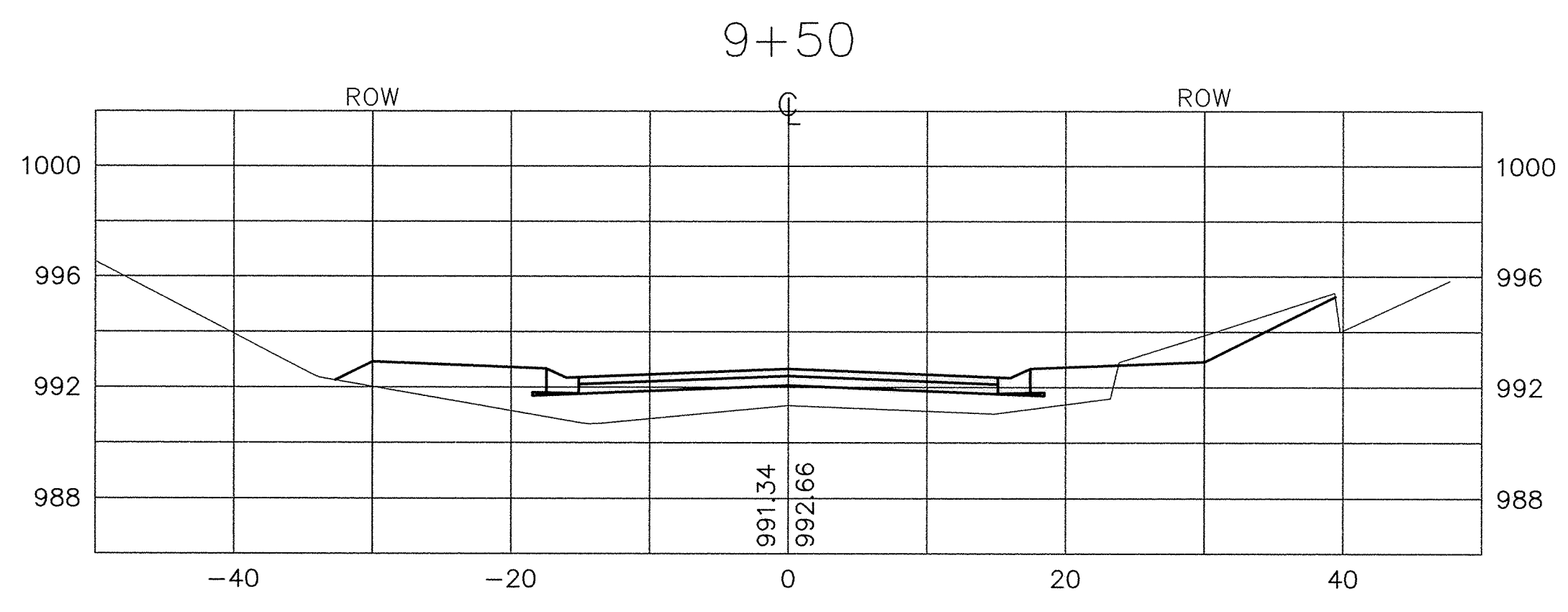
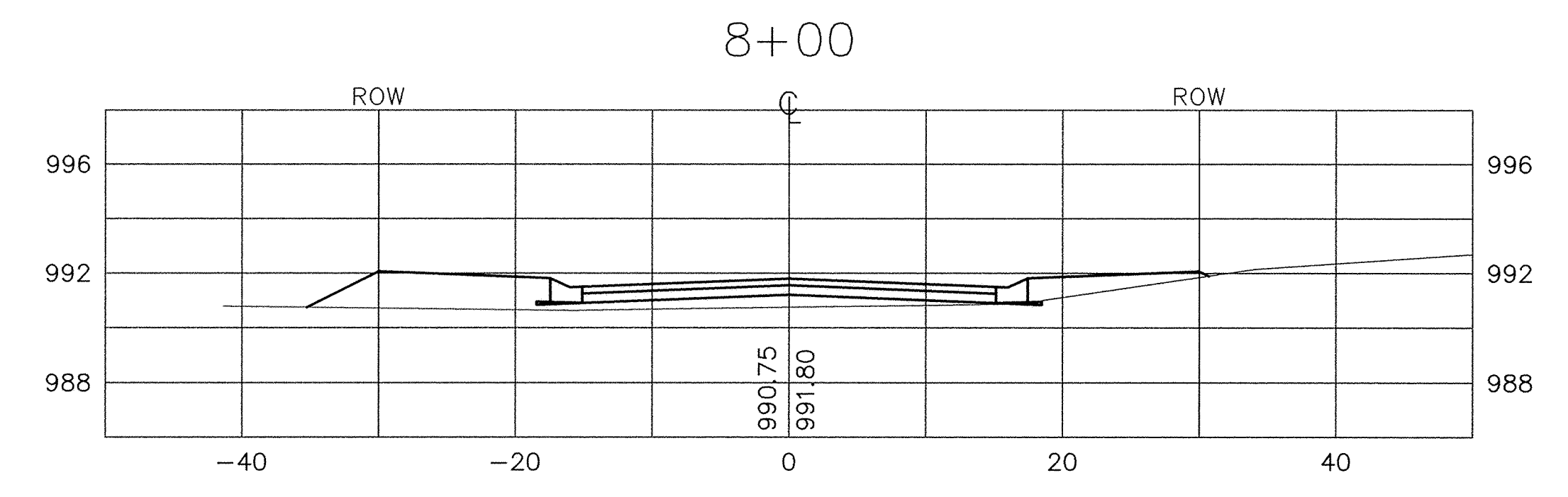
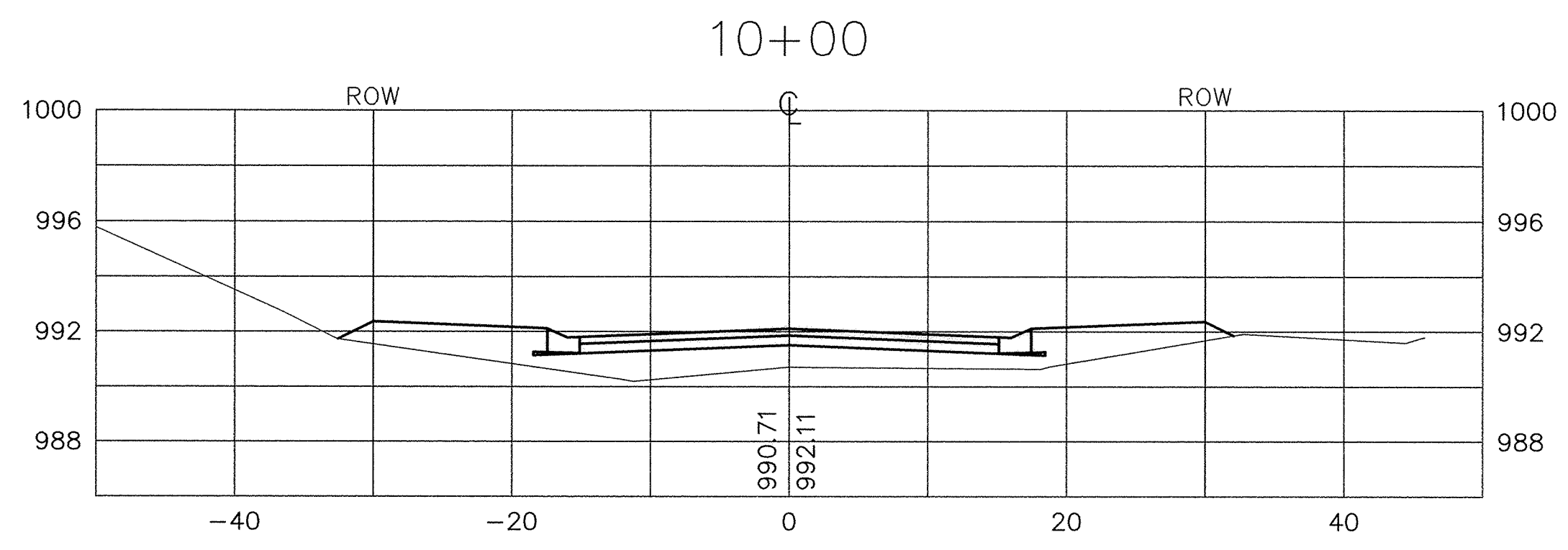
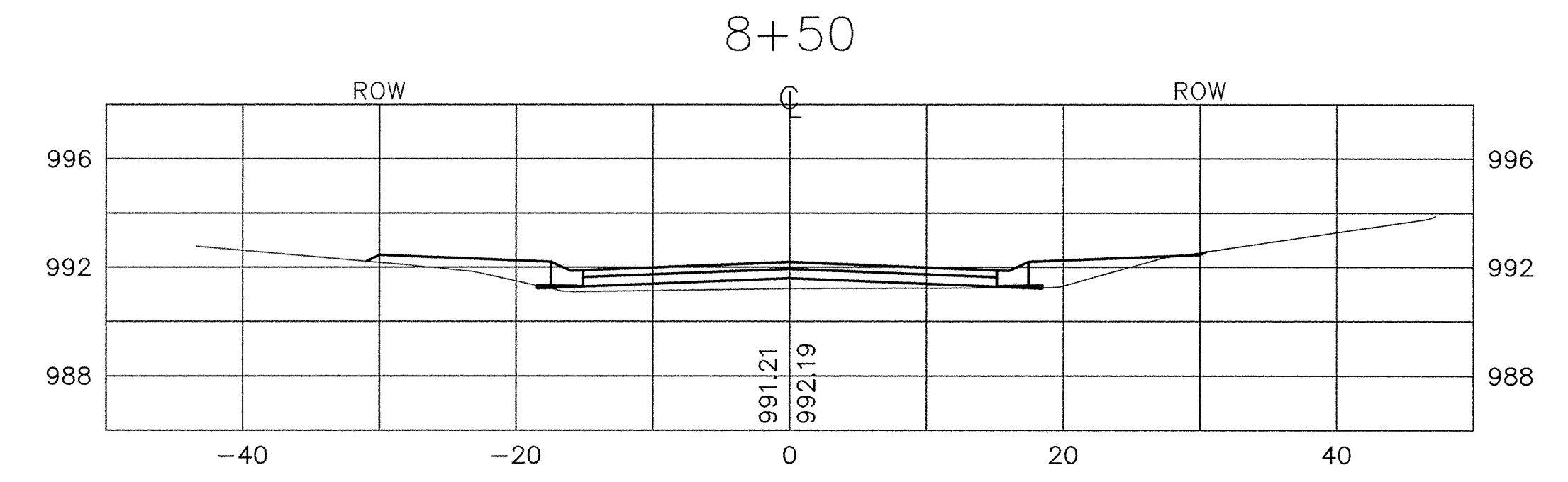
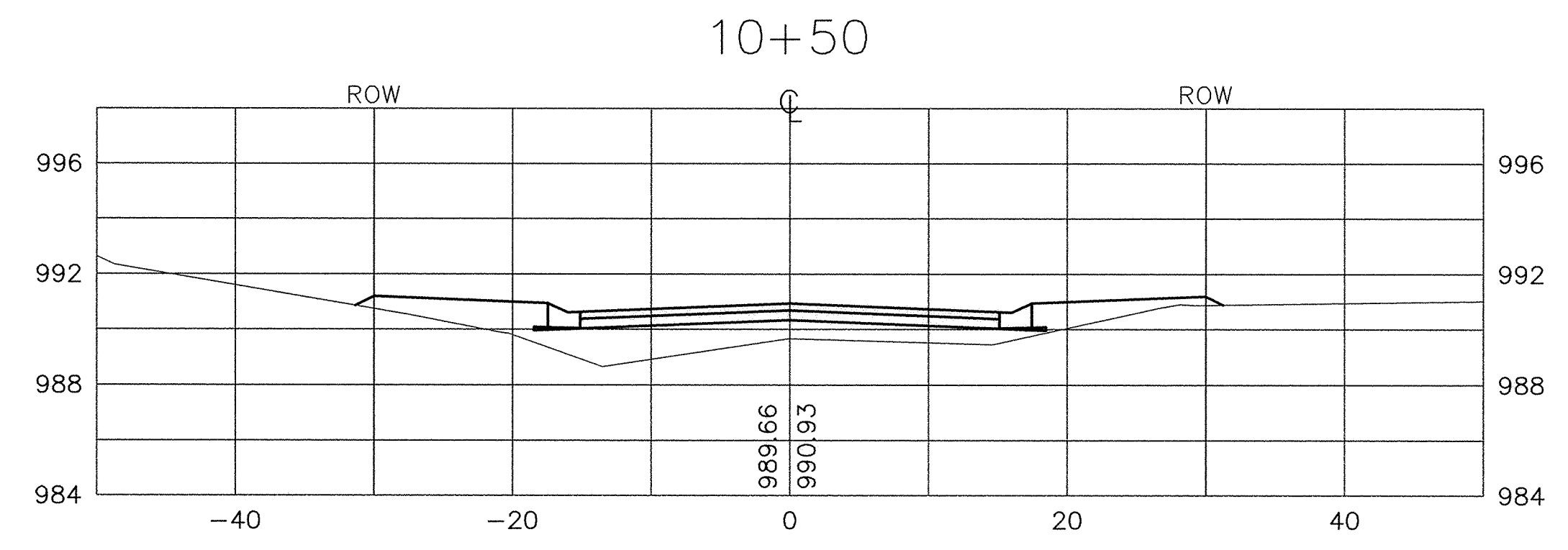
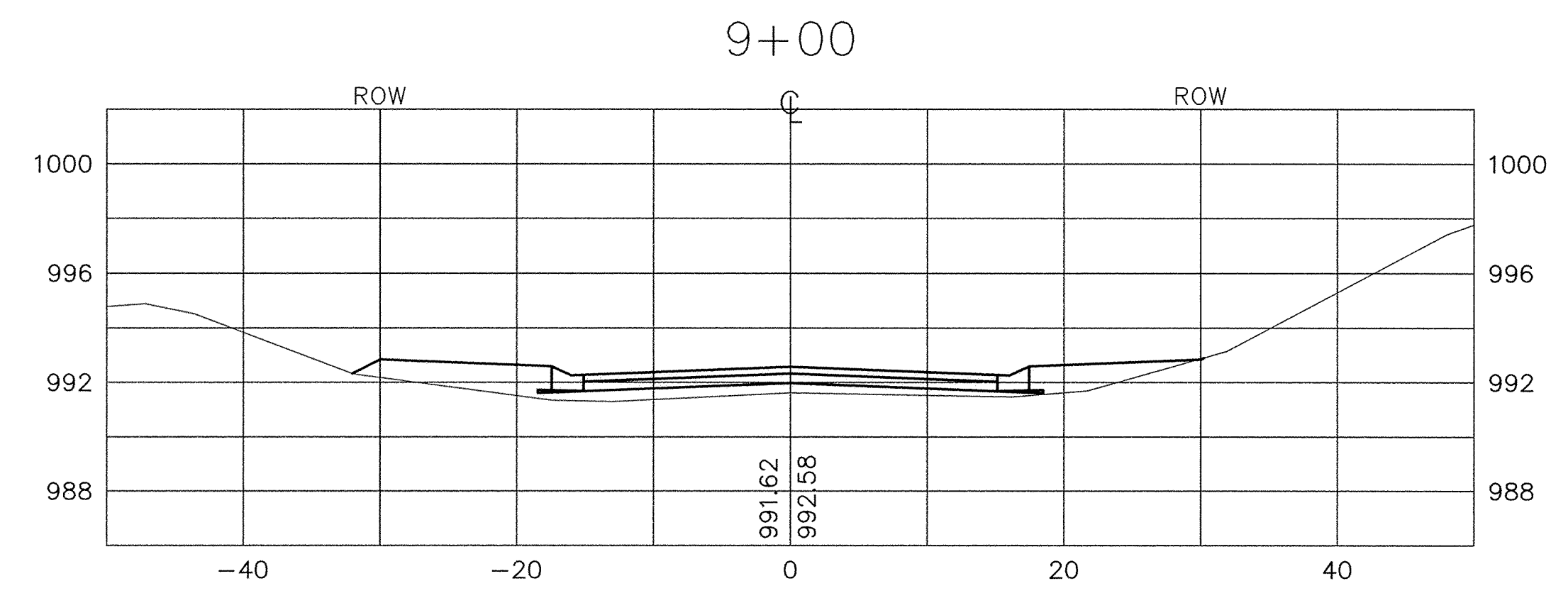
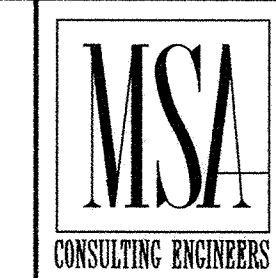


SAATCHI PRODUCTS • NEW HIGHT, MINNESOTA  
REPORT BY PART NUMBER 0532  
SAATCHI PRODUCTS • NEW HIGHT, MINNESOTA  
REPORT BY PART NUMBER 0532  
SAATCHI PRODUCTS • NEW HIGHT, MINNESOTA  
REPORT BY PART NUMBER 0532  
SAATCHI PRODUCTS • NEW HIGHT, MINNESOTA  
REPORT BY PART NUMBER 0532



RECORD DRAWING  
OCTOBER 1997

I HEREBY CERTIFY THAT THIS PLAN, SPECIFICATION, OR REPORT WAS PREPARED BY ME OR UNDER MY DIRECT SUPERVISION AND THAT I AM A DULY REGISTERED PROFESSIONAL ENGINEER UNDER THE LAWS OF THE STATE OF MINNESOTA.  
*Kevin J. Mauer*  
DATE 10/10/94 REG. NO. 15316



1326 ENERGY PARK DRIVE  
ST. PAUL, MINNESOTA 55108  
(612) 644-4389  
9800 SHELARD PARKWAY  
MINNEAPOLIS, MINNESOTA 55441  
(612) 546-0432

DATE	DESCRIPTION	DESIGNED
		CHECKED
		DRAWN
		GRAPHIC SCALE
		0 10
		0 5
		VERT.

CITY OF ELK RIVER AUBURN STREET CROSS SECTIONS		
DATE	SEPT 1994	SHEET 12 OF 15 SHEETS
PROJECT NO.	230-227	