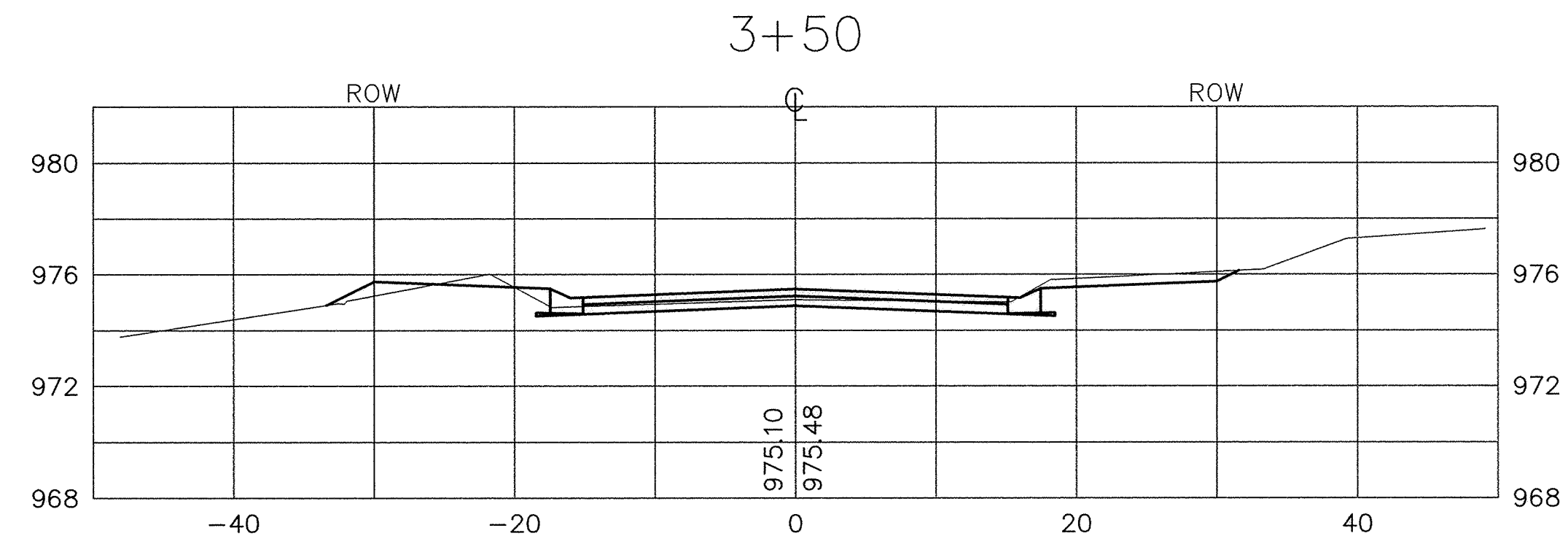
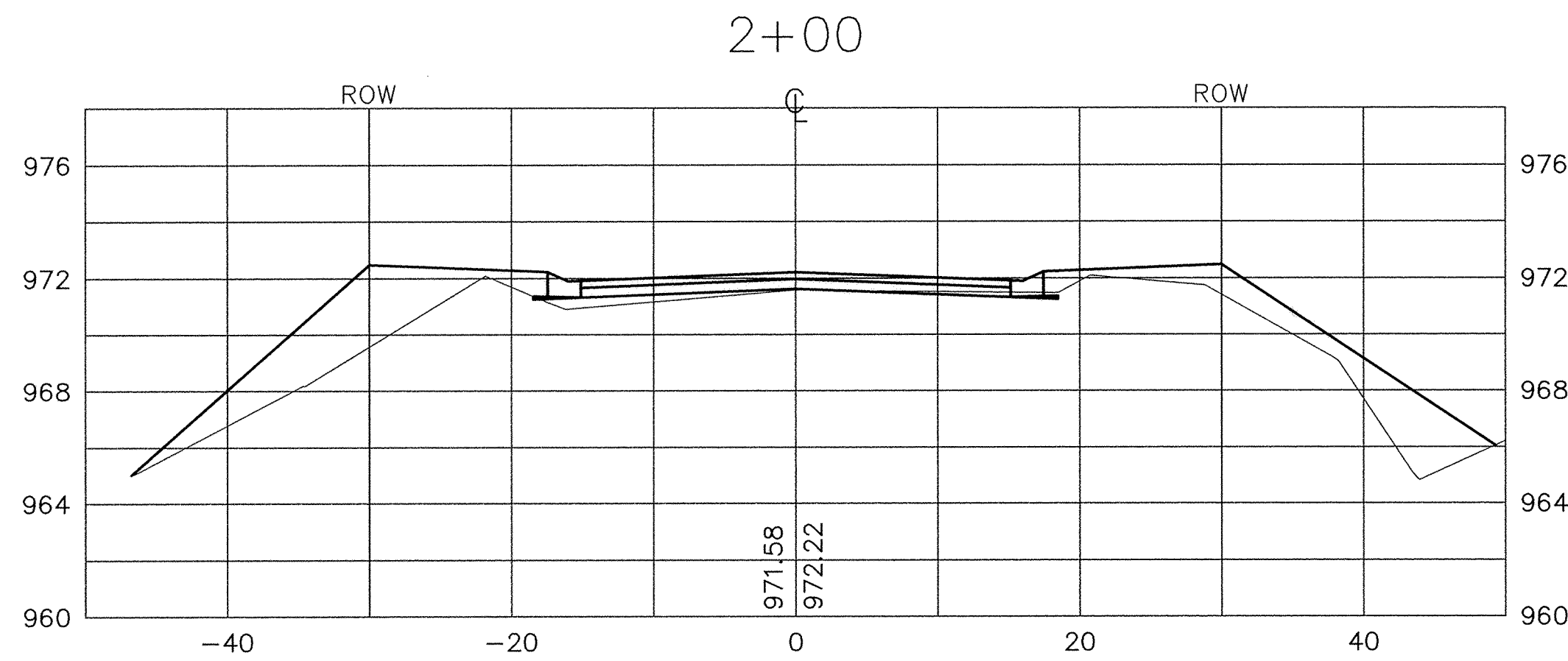
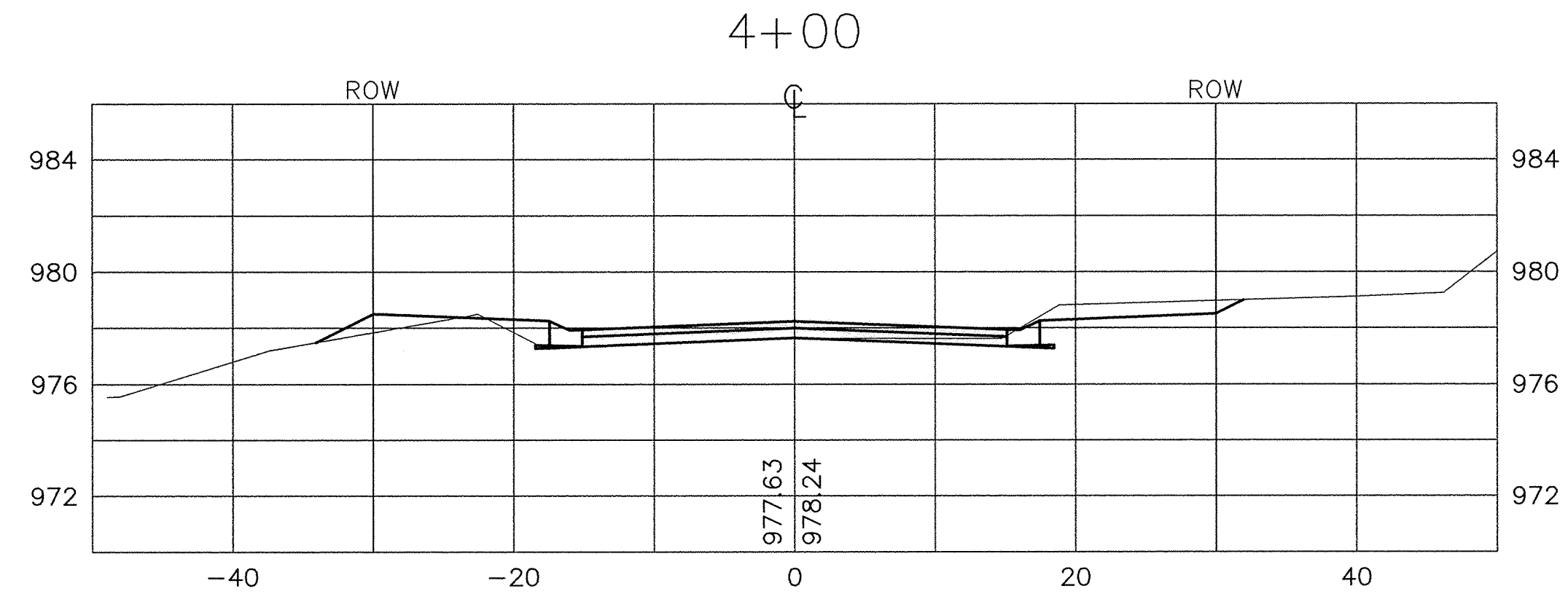
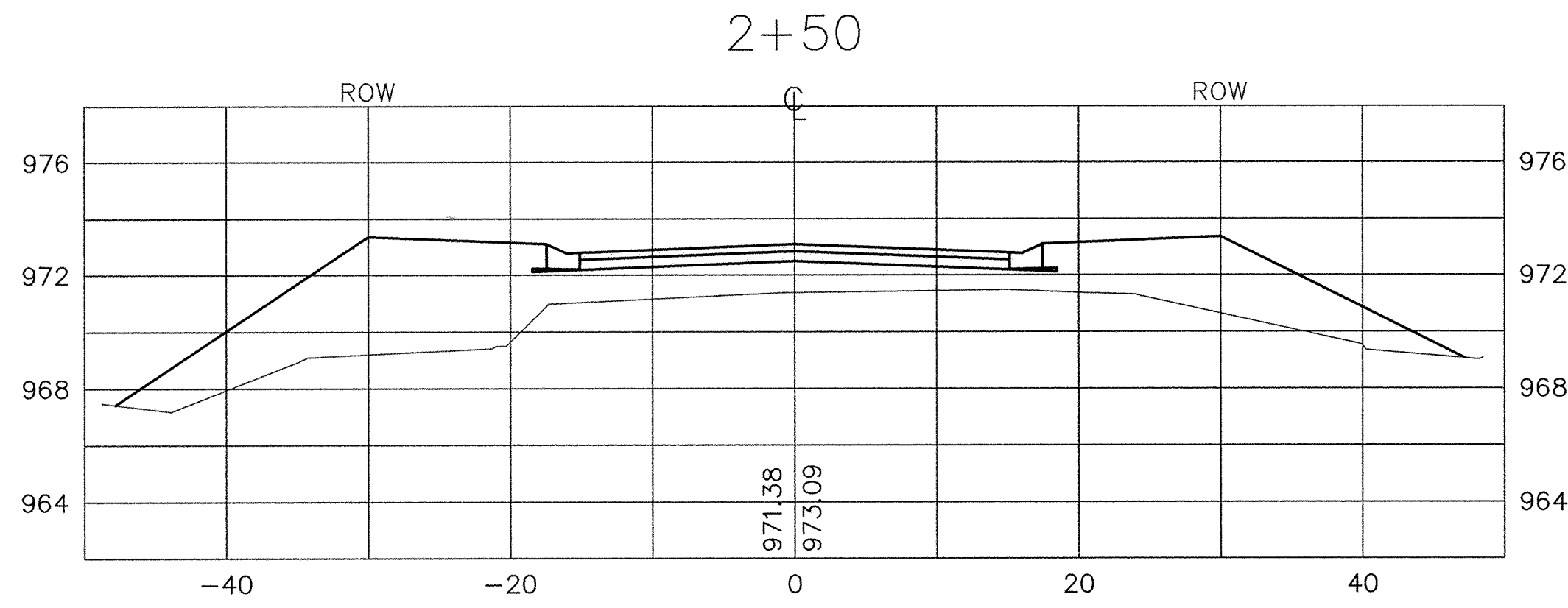
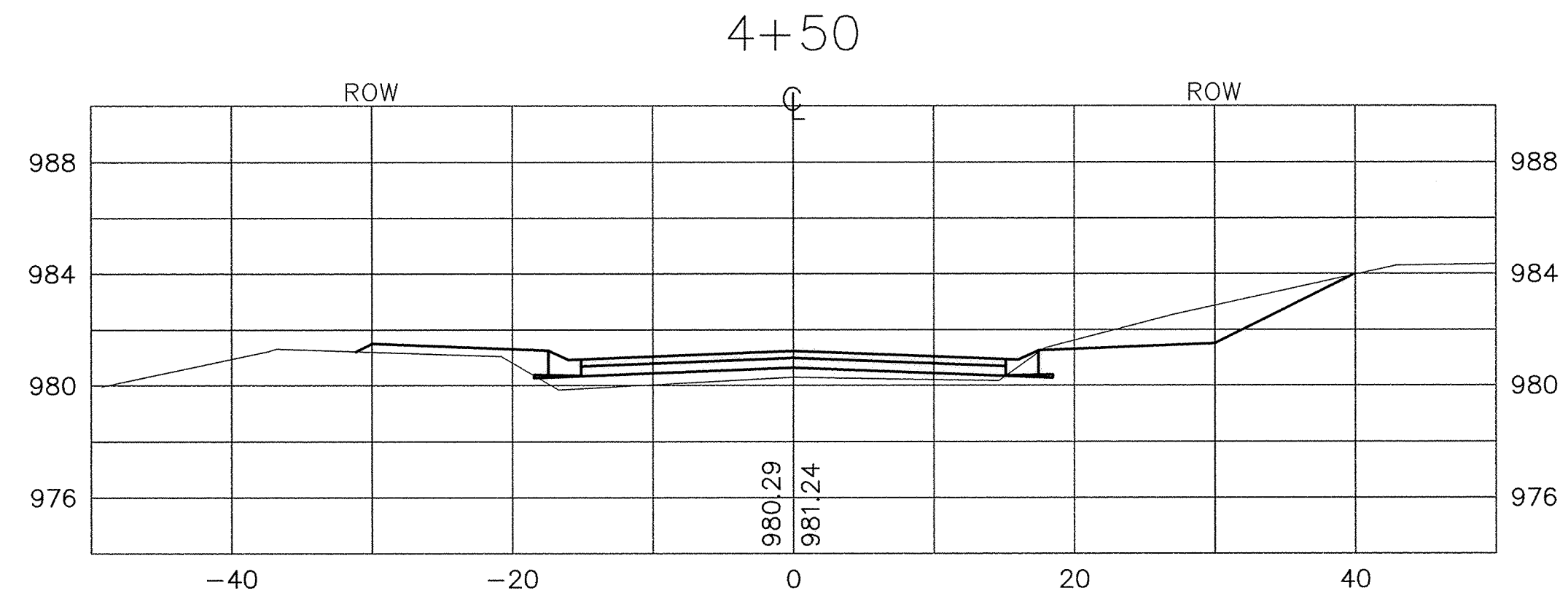
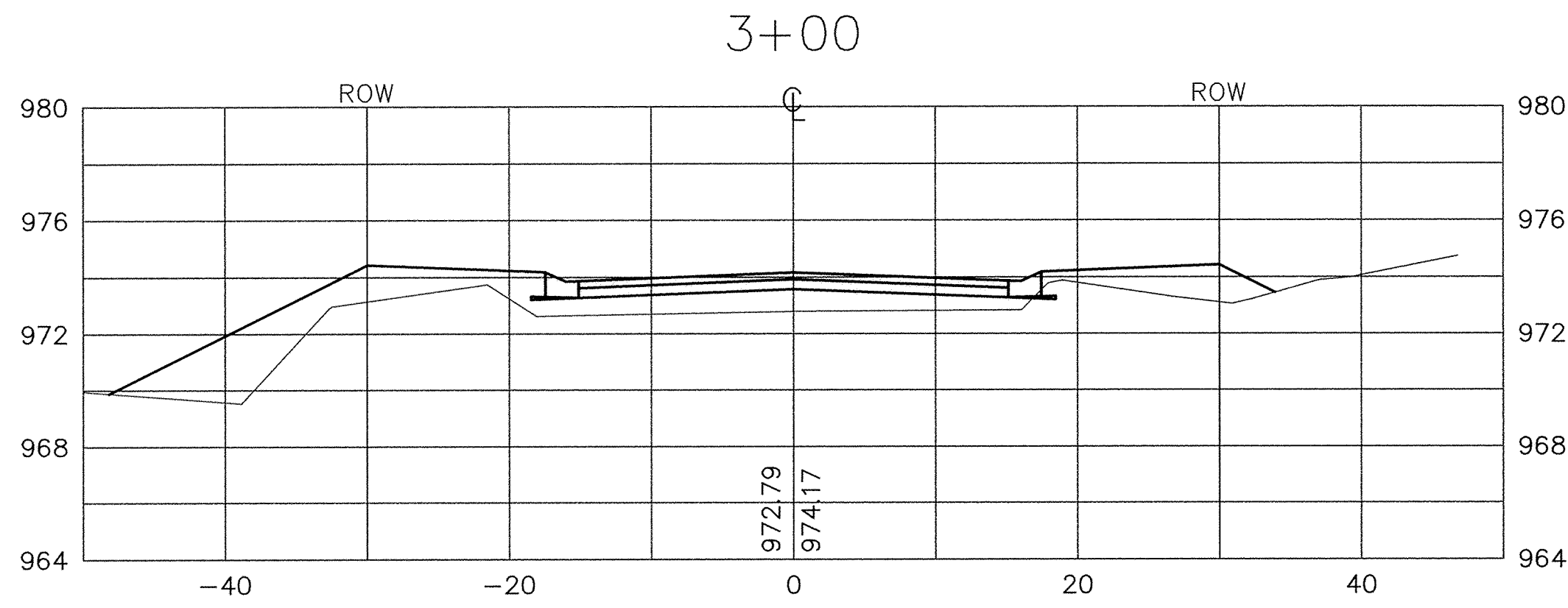


SARGO PRODUCTS • NEW HOPE, MINNESOTA
REVISION BY PART NUMBER 8502

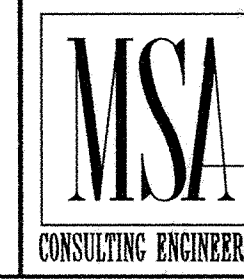
SARGO PRODUCTS • NEW HOPE, MINNESOTA
REVISION BY PART NUMBER 8502

SARGO PRODUCTS • NEW HOPE, MINNESOTA
REVISION BY PART NUMBER 8502



RECORD DRAWING
OCTOBER 1997

I HEREBY CERTIFY THAT THIS PLAN, SPECIFICATION, OR REPORT WAS PREPARED BY ME OR UNDER MY DIRECT SUPERVISION AND THAT I AM A DULY REGISTERED PROFESSIONAL ENGINEER UNDER THE LAWS OF THE STATE OF MINNESOTA.
Edward J. Maerz
DATE 10/10/94 REG. NO. 15316



1326 ENERGY PARK DRIVE
ST. PAUL, MINNESOTA 55108
(612) 644-4389

9800 SHELARD PARKWAY
MINNEAPOLIS, MINNESOTA 55441
(612) 546-0432

DATE	DESCRIPTION	DESIGNED

CHECKED	
DRAWN	
GRAPHIC SCALE	0 10
VERT.	0 5

CITY OF ELK RIVER AUBURN STREET CROSS SECTIONS		
DATE	SHEET	PROJECT NO.
SEPT 1994	10 OF 15 SHEETS	230-227

2+00 TO 4+50

1111