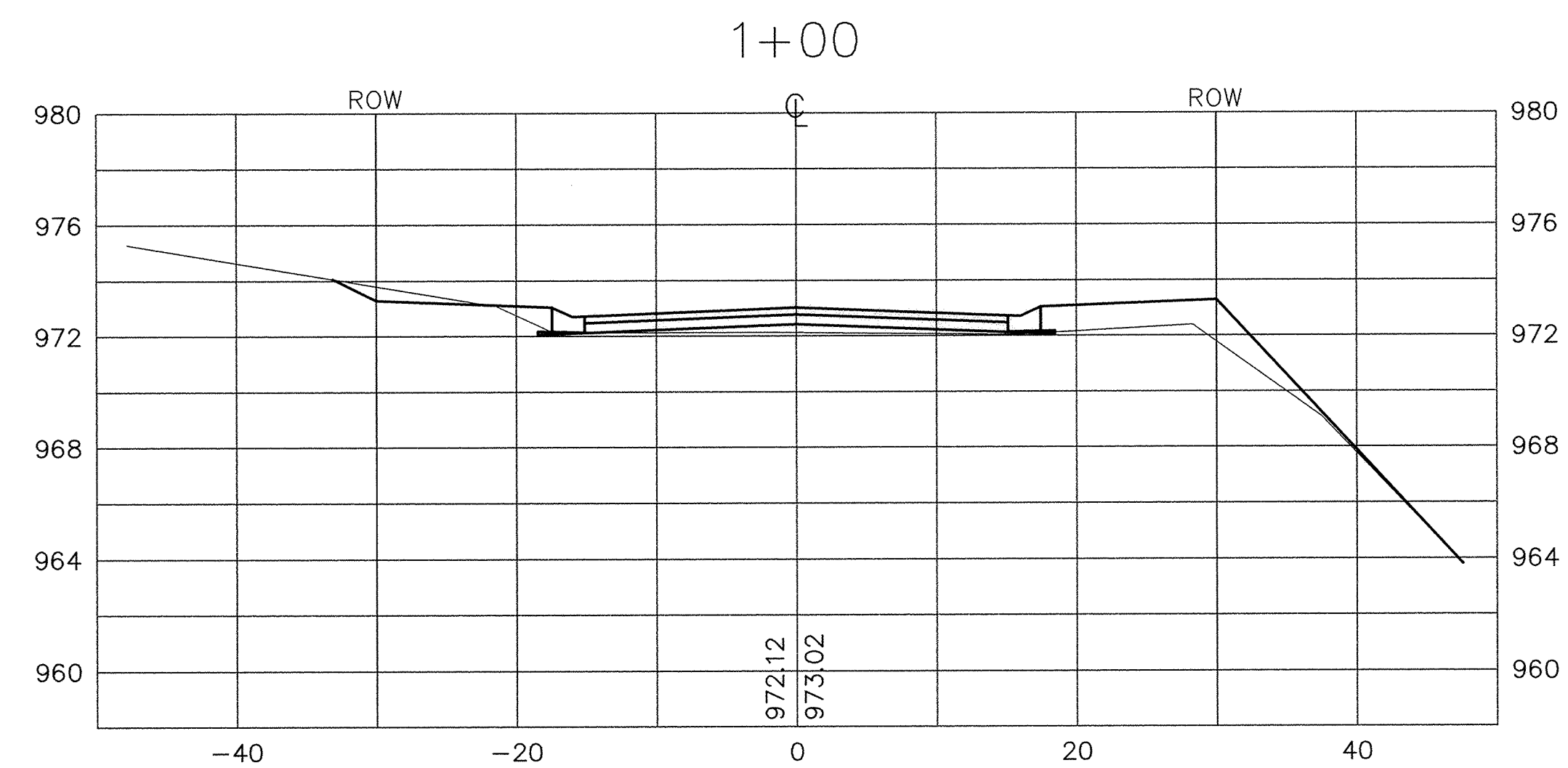
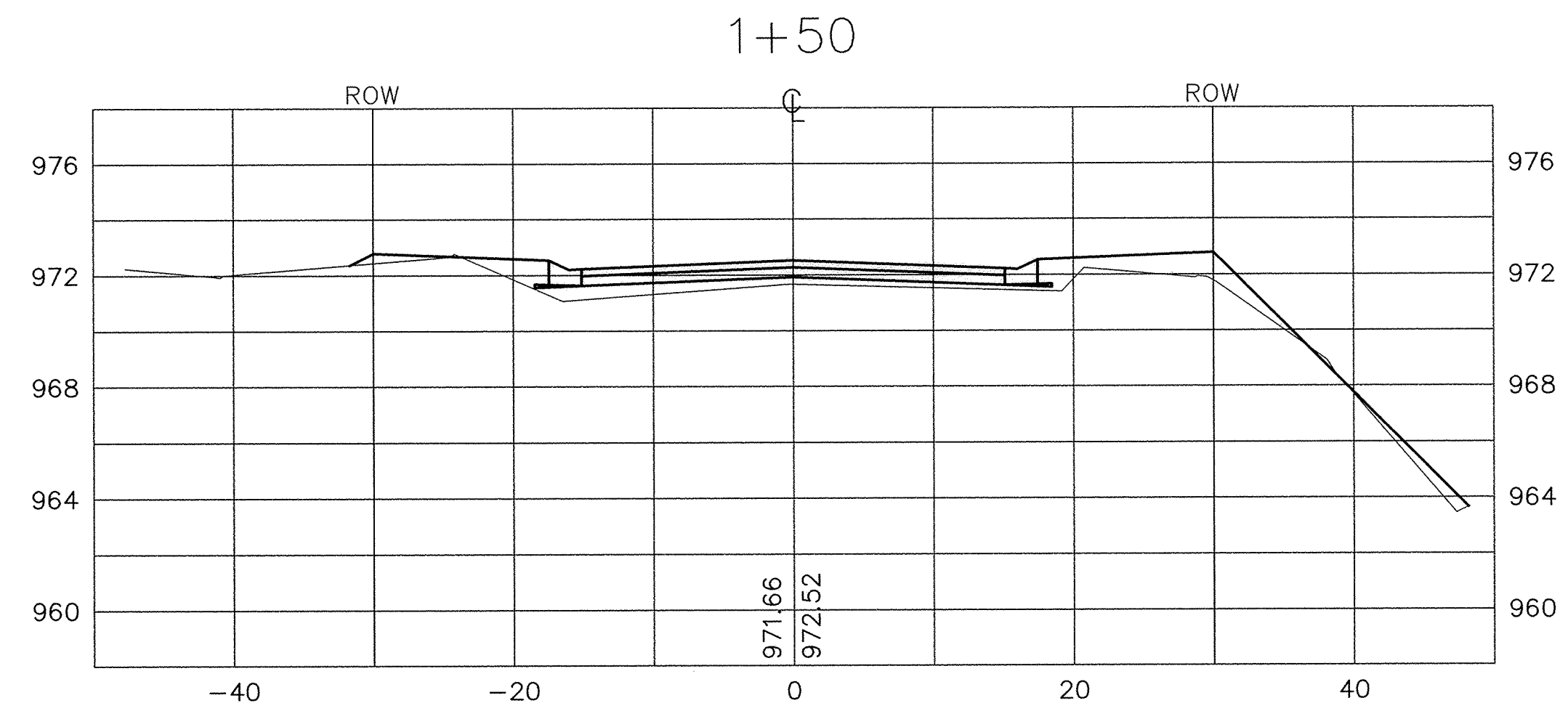
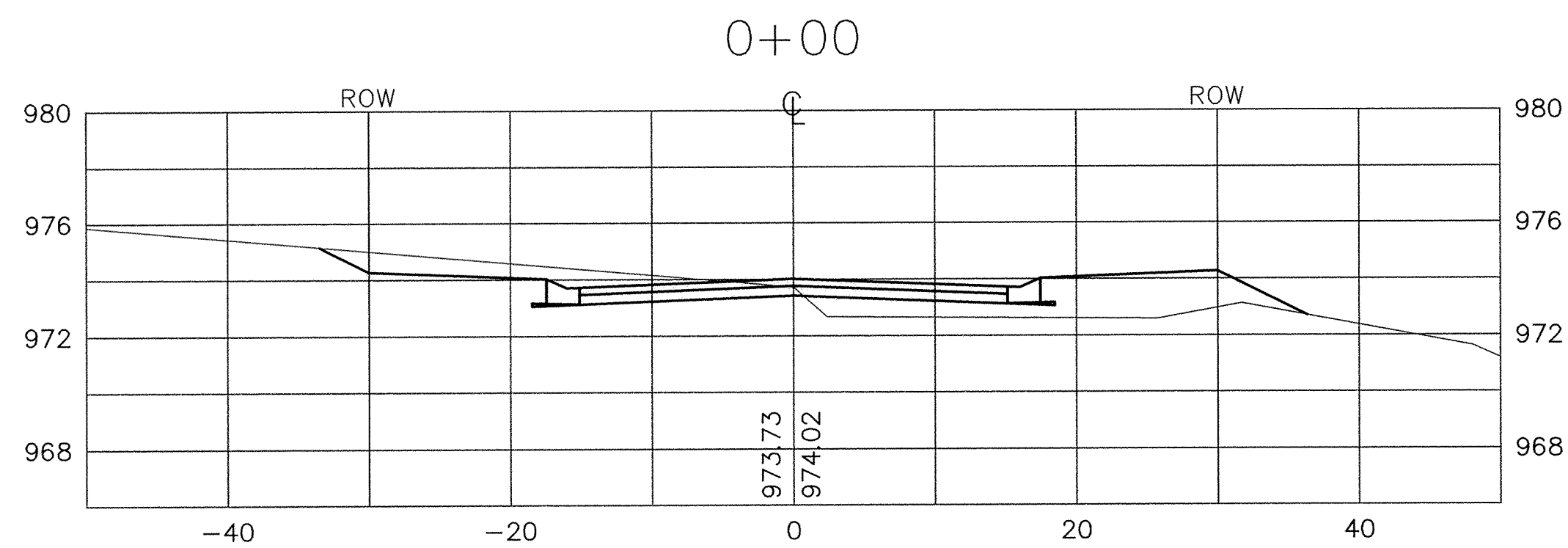
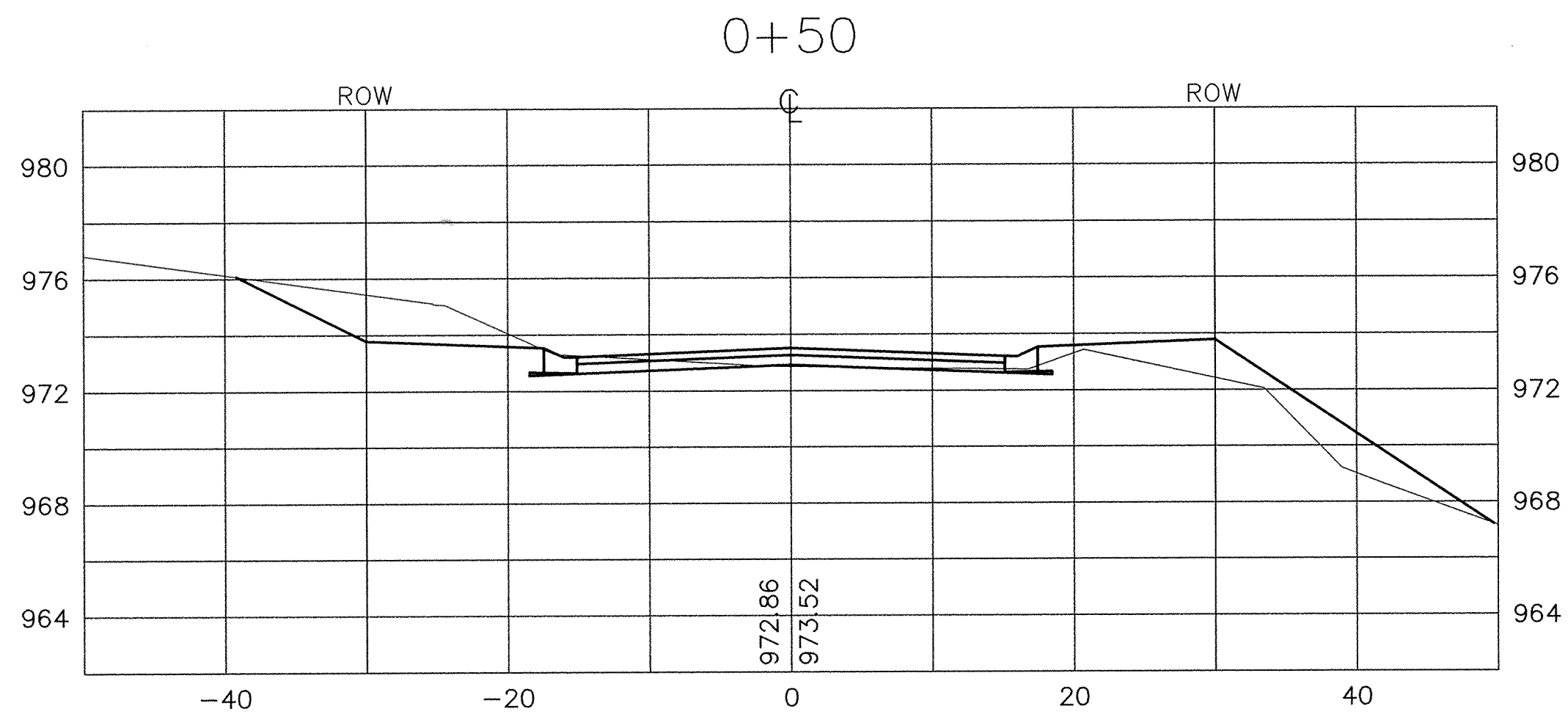


121 PRODUCTS • NEW HOPE, MINNESOTA
REVISION NUMBER 8892

SARGO PRODUCTS • NEW HOPE, MINNESOTA
REVISION NUMBER 8892

SARGO PRODUCTS • NEW HOPE, MINNESOTA
REVISION NUMBER 8892

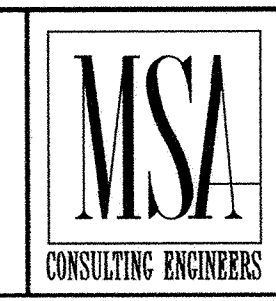
SARGO PRODUCTS • NEW HOPE, MINNESOTA
REVISION NUMBER 8892



RECORD DRAWING
OCTOBER 1997

I HEREBY CERTIFY THAT THIS PLAN, SPECIFICATION, OR REPORT WAS PREPARED BY ME OR UNDER MY DIRECT SUPERVISION AND THAT I AM A DULY REGISTERED PROFESSIONAL ENGINEER UNDER THE LAWS OF THE STATE OF MINNESOTA.

Lucy J. Marano
DATE 10/10/94 REG. NO. 15314



1326 ENERGY PARK DRIVE
ST. PAUL, MINNESOTA 55108
(612) 644-4389

9800 SHELARD PARKWAY
MINNEAPOLIS, MINNESOTA 55441
(612) 546-0432

DATE	DESCRIPTION	DESIGNED	CHECKED	DRAWN

GRAPHIC SCALE
0 10
0 VERT. 5

CITY OF ELK RIVER AUBURN STREET CROSS SECTIONS			
DATE	SEPT 1994	SHEET	9 OF 15 SHEETS
PROJECT NO.	230-227		

1112