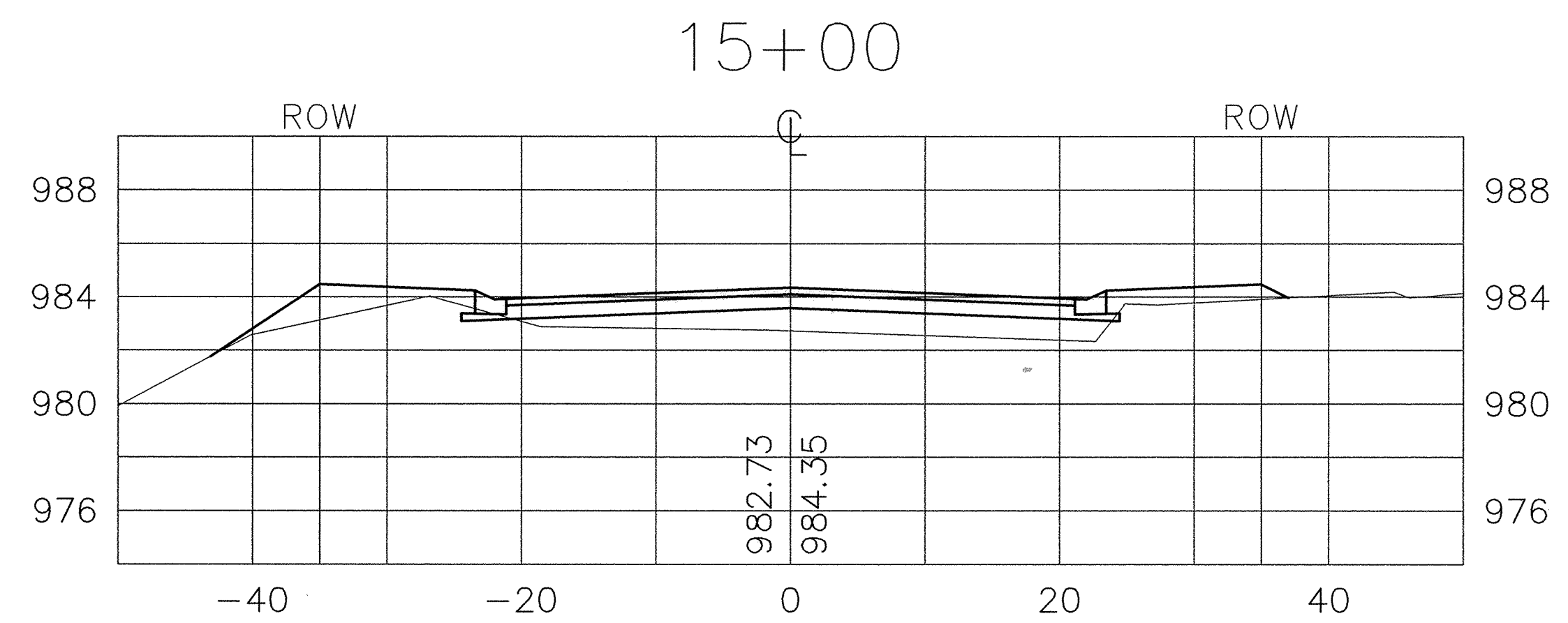
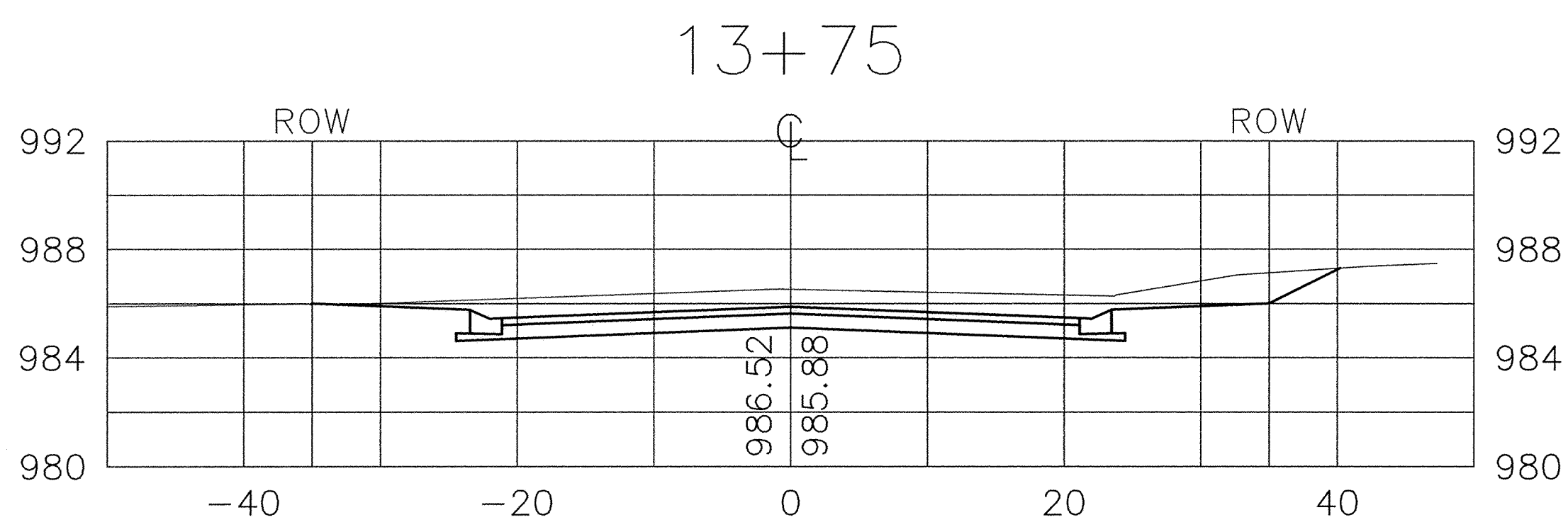
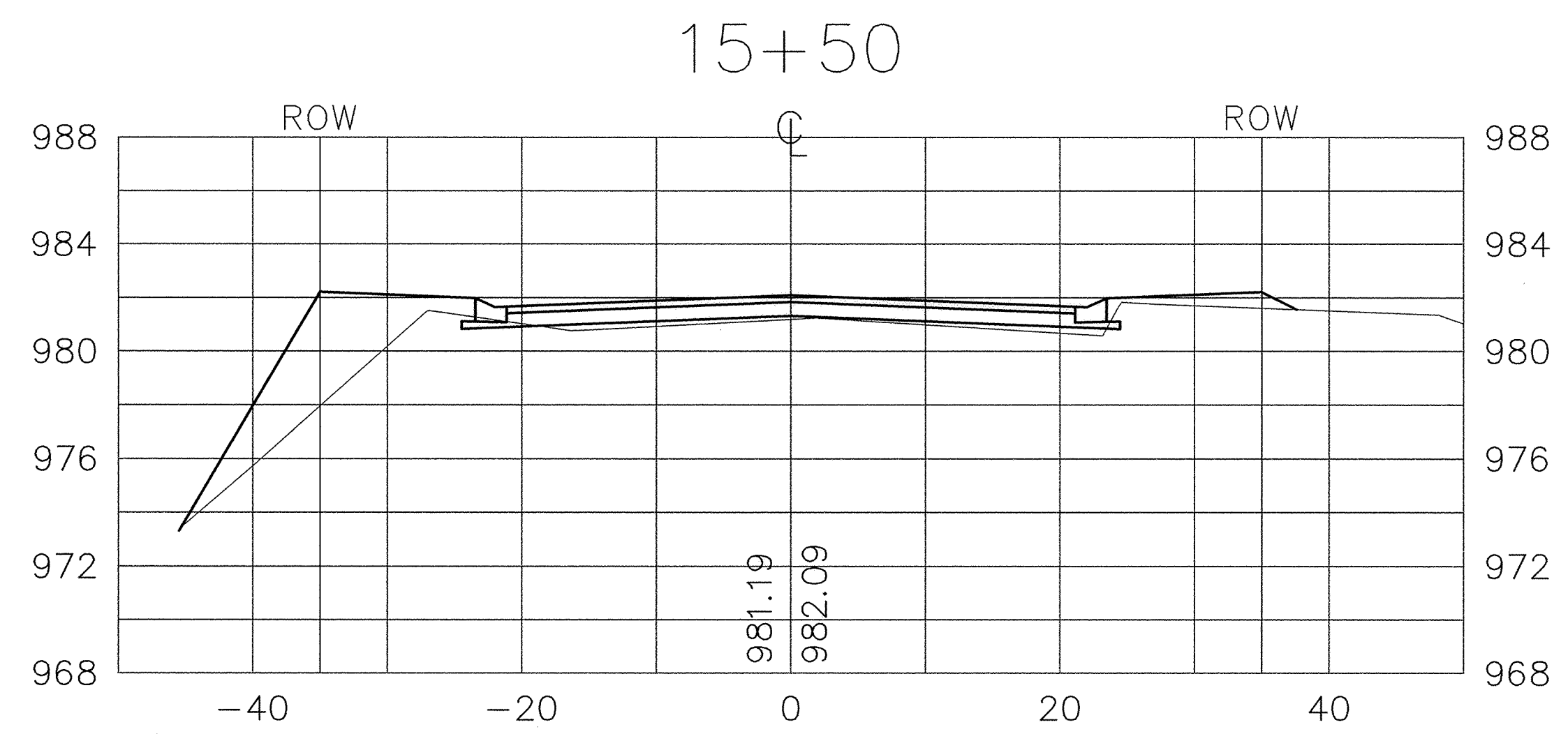
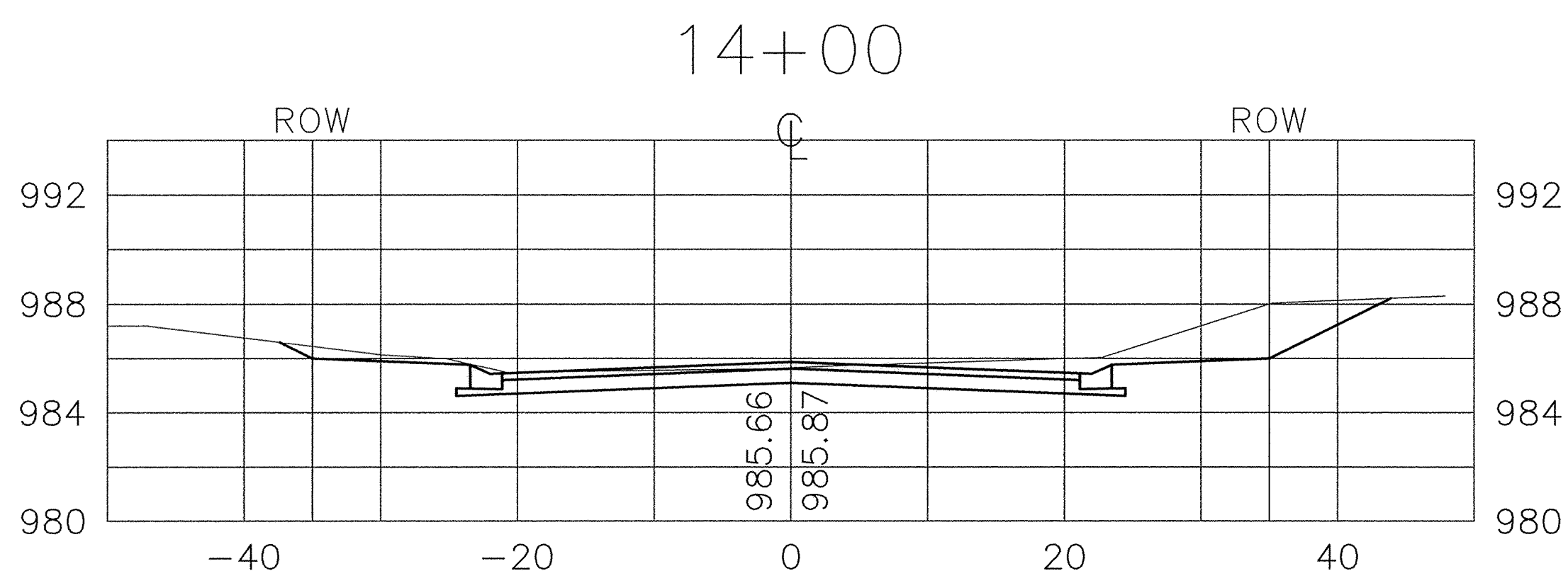
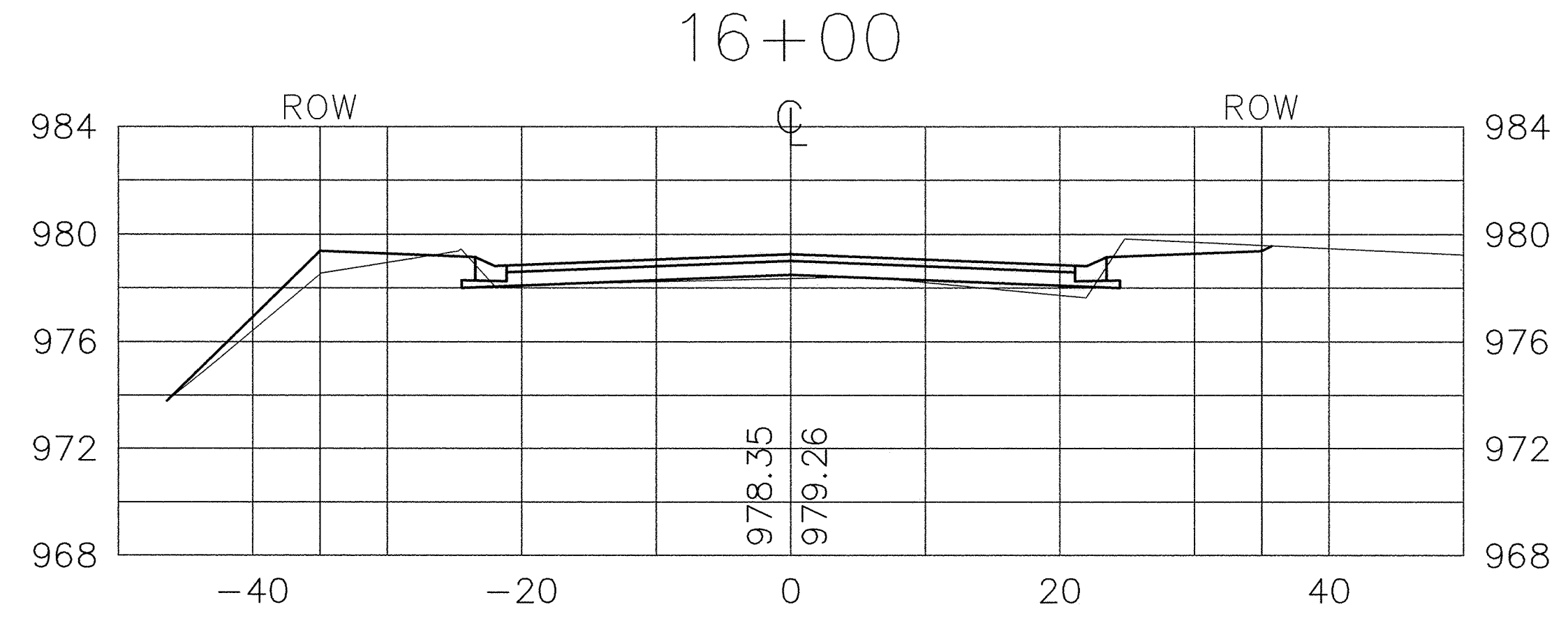
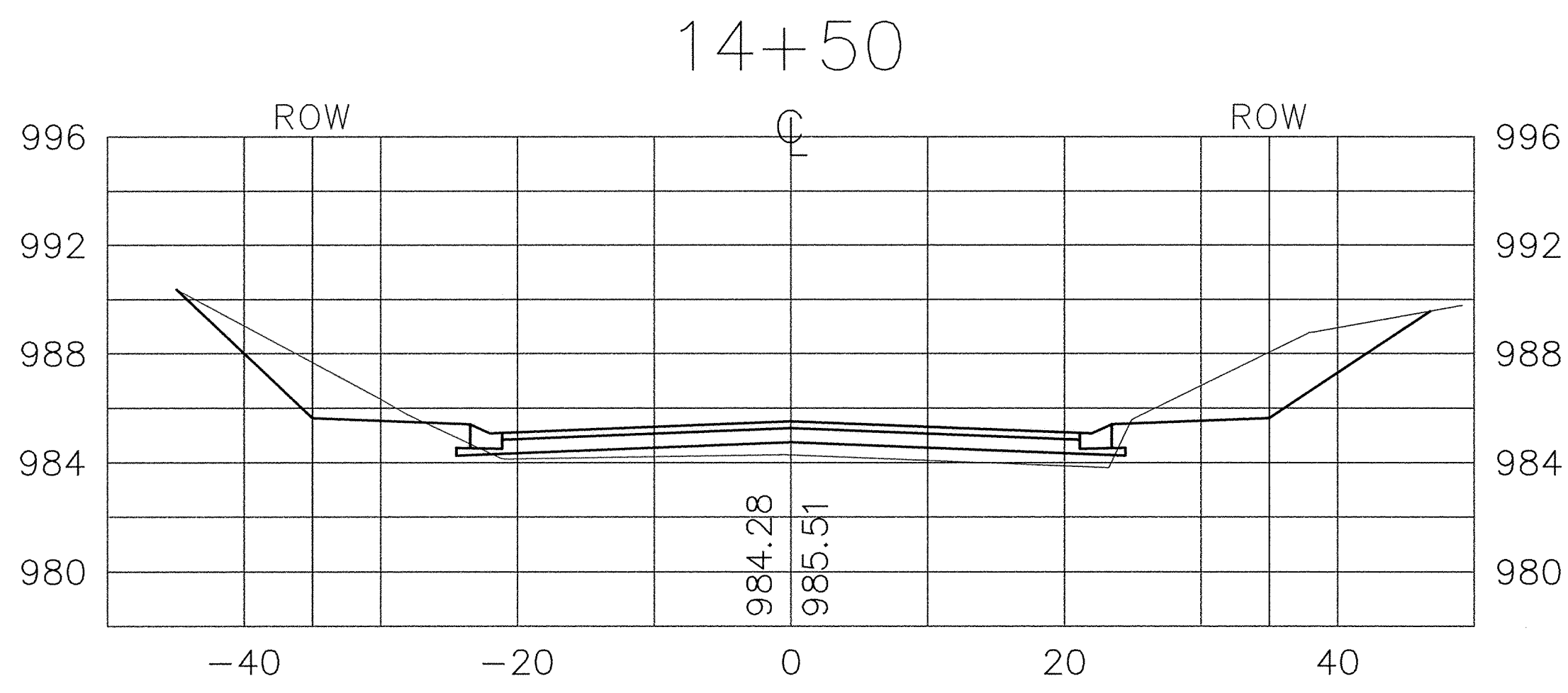


SDCO PRODUCTS • NEW RIVER, MINNESOTA  
REVISION BY PART NUMBER 0532

SDCO PRODUCTS • NEW RIVER, MINNESOTA  
REVISION BY PART NUMBER 0532

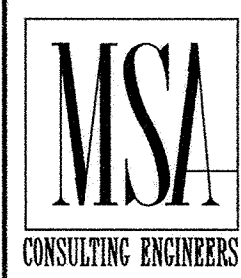
SDCO PRODUCTS • NEW RIVER, MINNESOTA  
REVISION BY PART NUMBER 0532

SDCO PRODUCTS • NEW RIVER, MINNESOTA  
REVISION BY PART NUMBER 0532



RECORD DRAWING  
OCTOBER 1997

I HEREBY CERTIFY THAT THIS PLAN, SPECIFICATION, OR REPORT WAS PREPARED BY ME OR UNDER MY DIRECT SUPERVISION AND THAT I AM A DULY REGISTERED PROFESSIONAL ENGINEER UNDER THE LAWS OF THE STATE OF MINNESOTA.  
*Roger O'Mara*  
DATE 10/10/94 REG. NO. 15316



1326 ENERGY PARK DRIVE  
ST. PAUL, MINNESOTA 55108  
(612) 644-4389  
  
9800 SHELARD PARKWAY  
MINNEAPOLIS, MINNESOTA 55441  
(612) 546-0432

DATE	DESCRIPTION	DESIGNED

REVISIONS

DATE	DESCRIPTION	DESIGNED

GRAPHIC SCALE  
0 10  
VERT. 5

CITY OF ELK RIVER 193RD AVENUE CROSS SECTIONS		
DATE <u>SEPT 1994</u>	SHEET <u>7</u> OF <u>15</u> SHEETS	PROJECT NO. <u>230-227</u>

1114