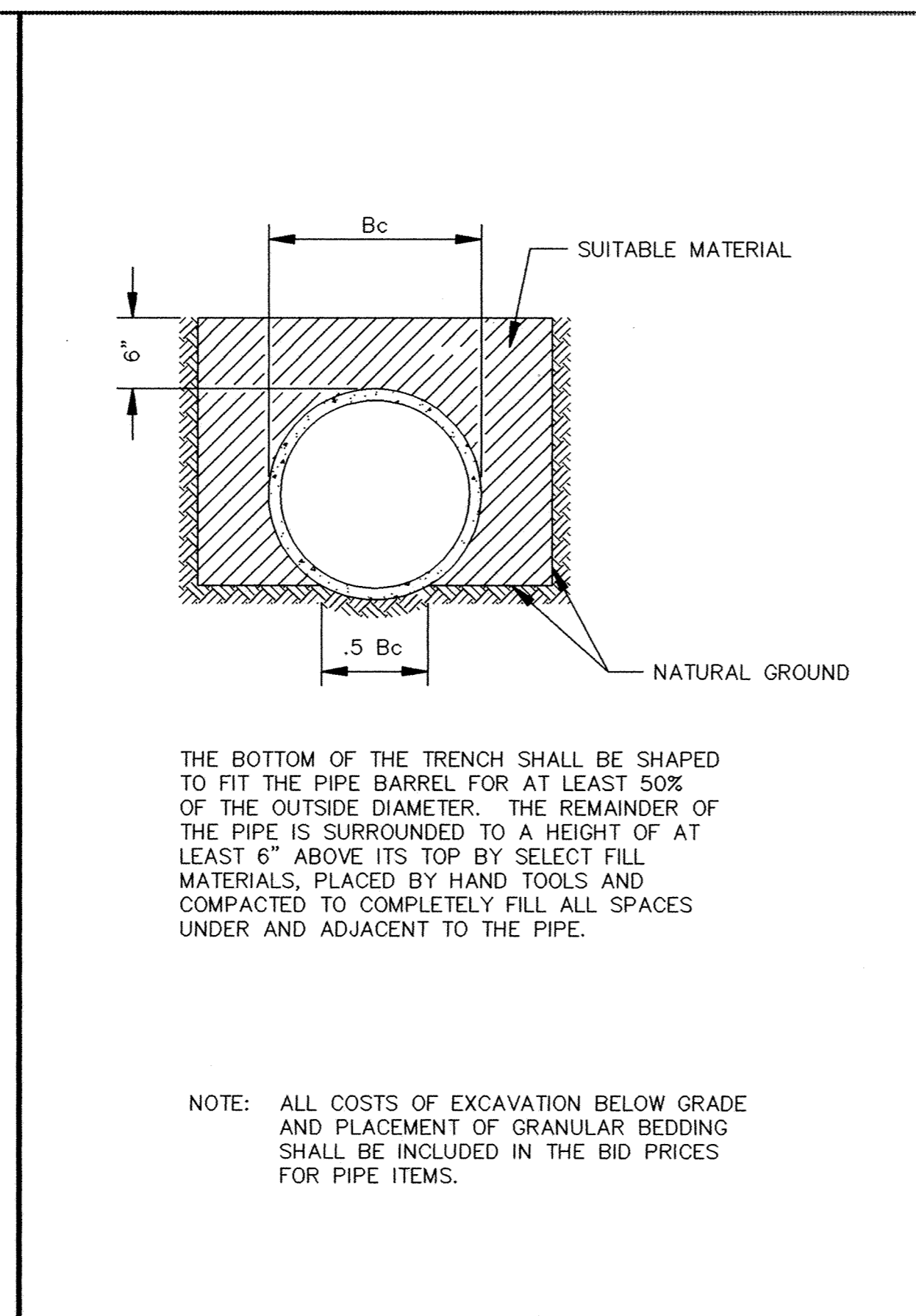
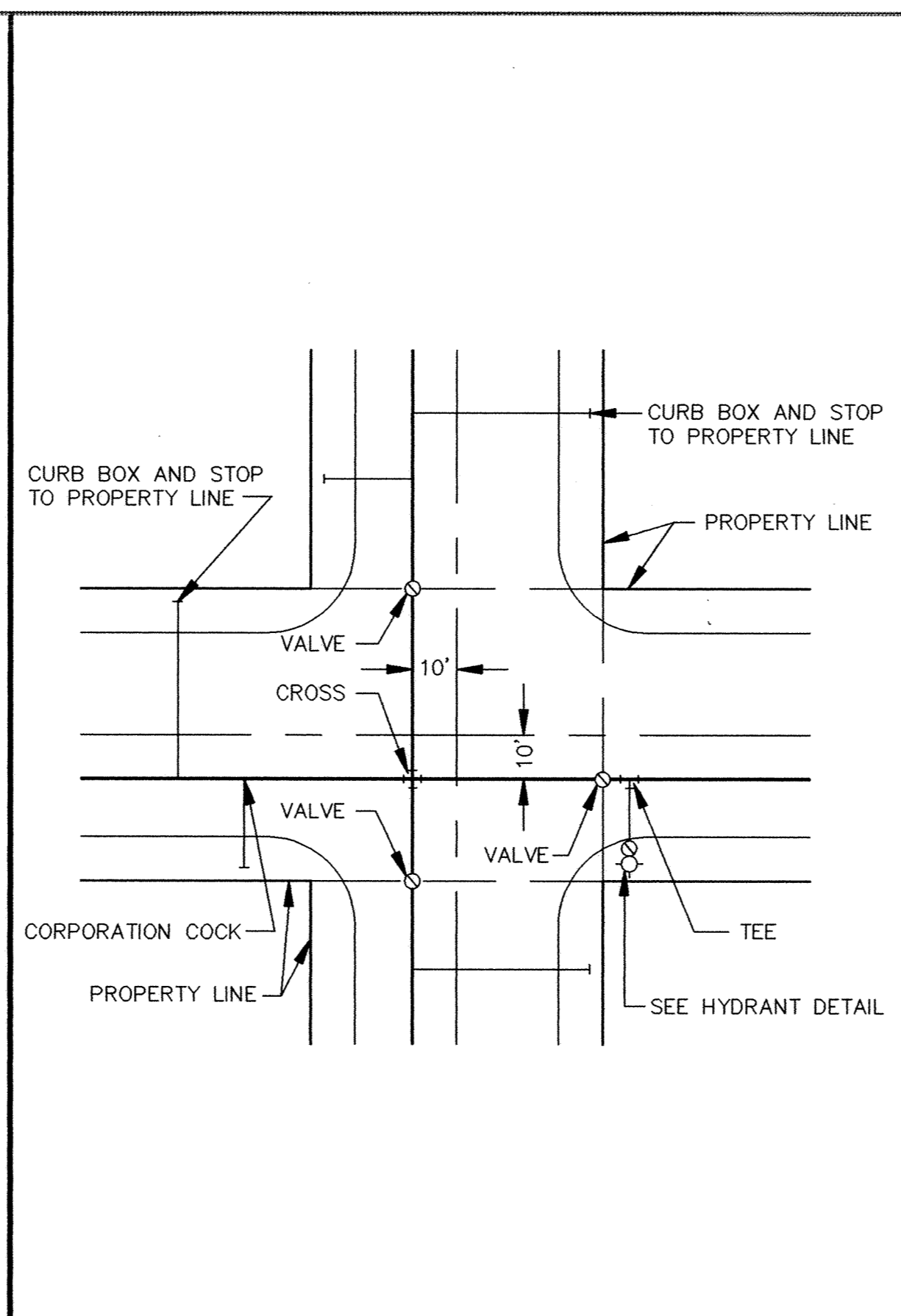


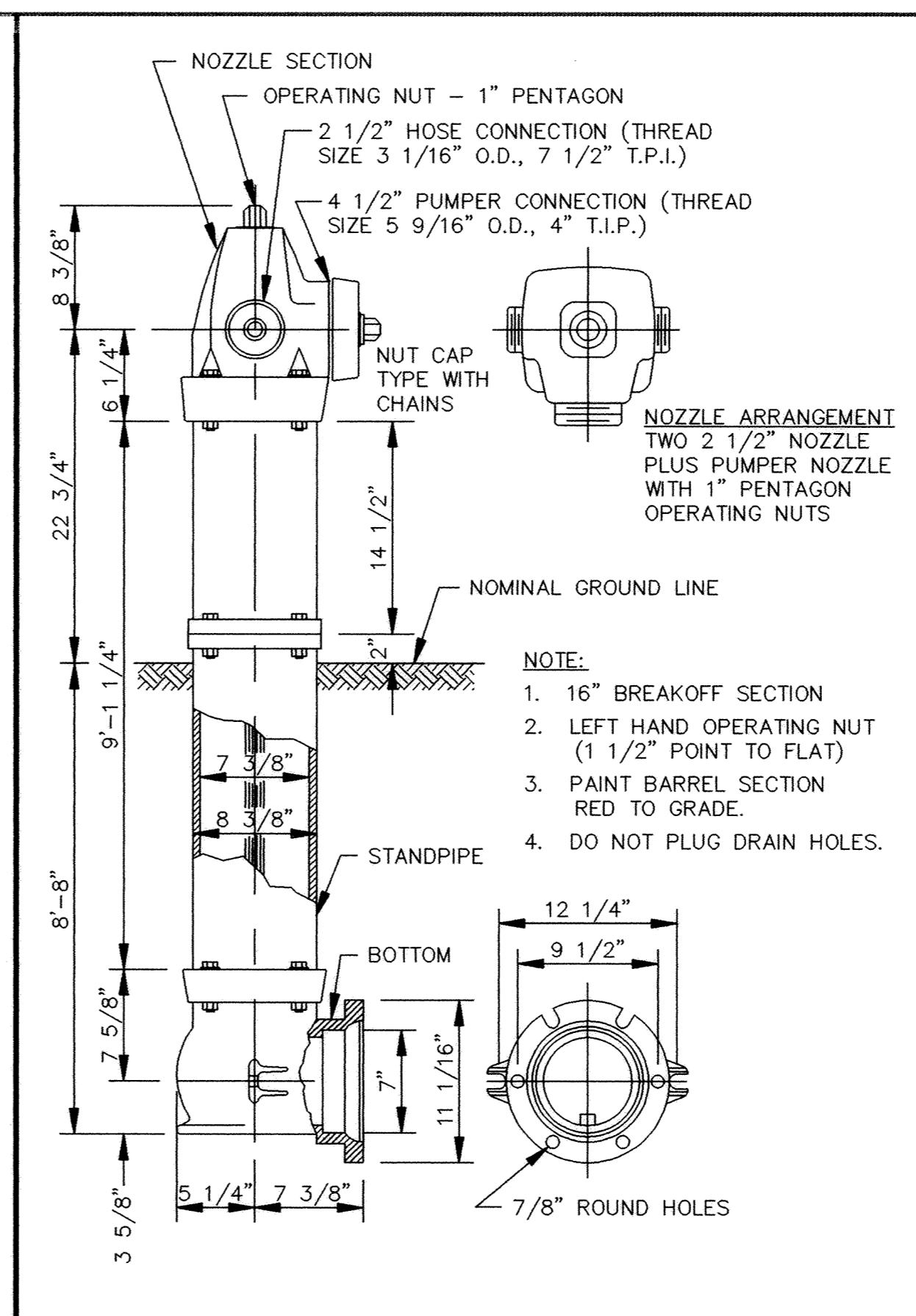
CLASS B PIPE BEDDING



CLASS C PIPE BEDDING



TYPICAL WATER LAYOUT

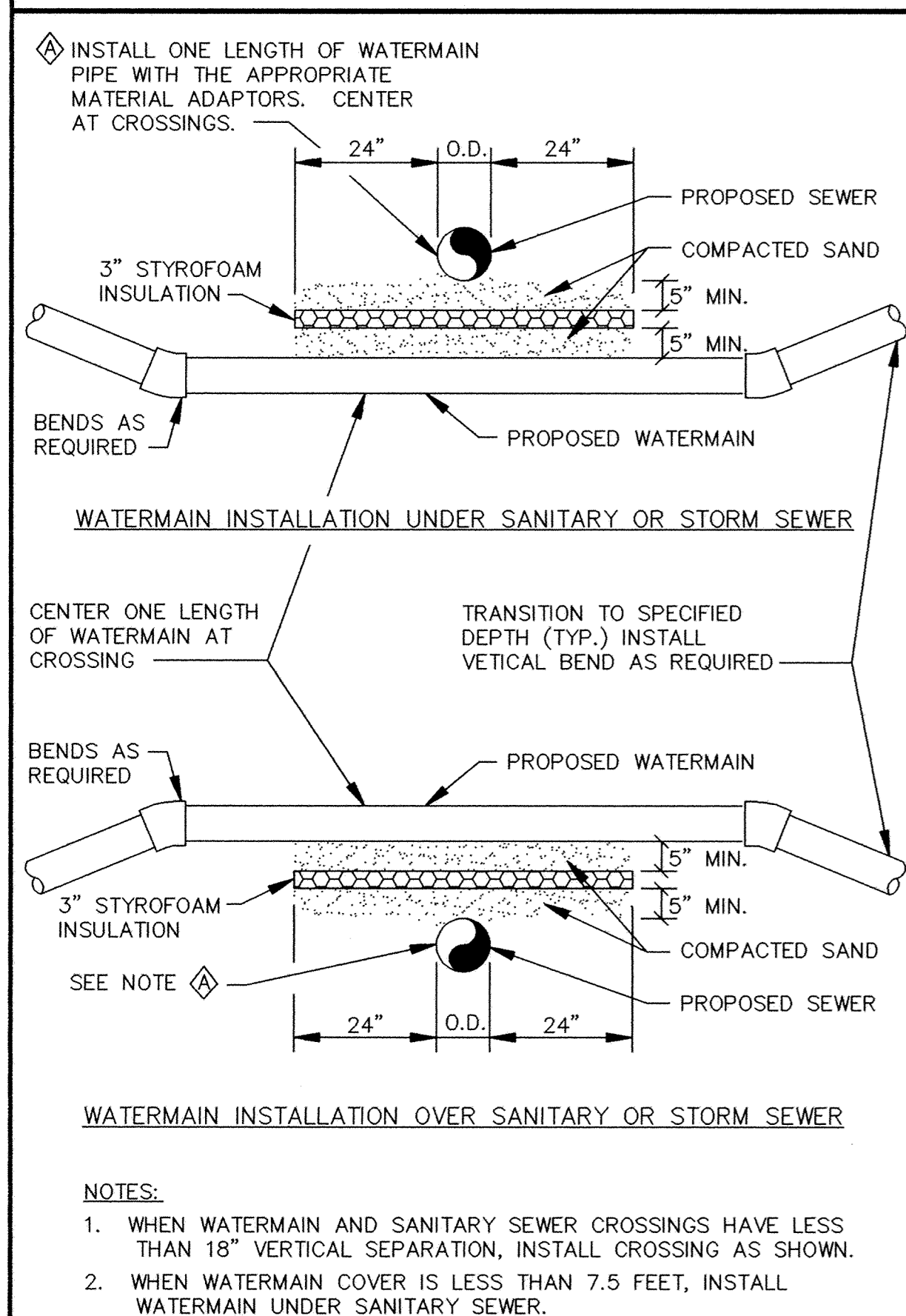


PACER HYDRANT DETAIL

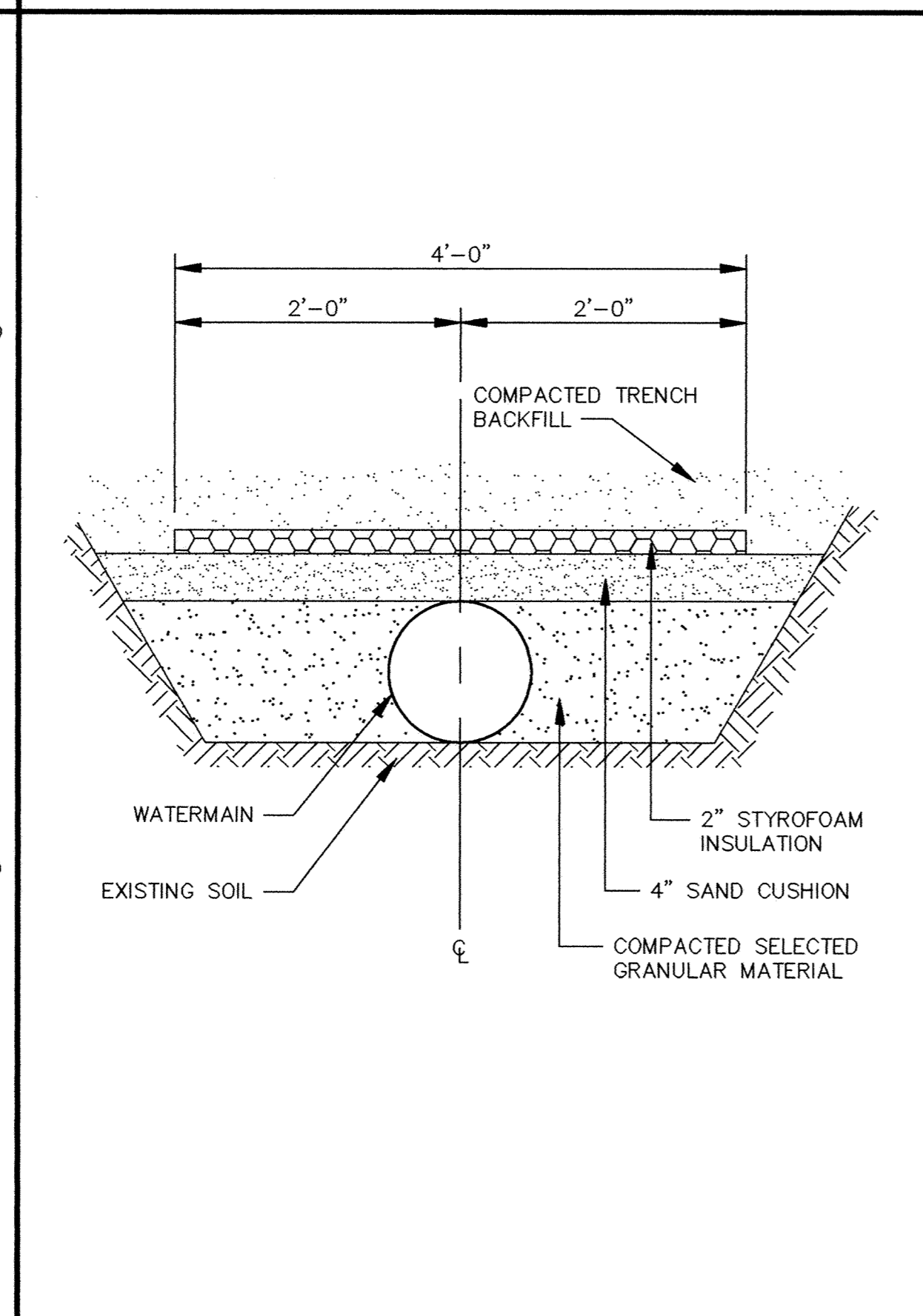
NOMINAL FITTING SIZE (INCHES)	TEE, WYE, PLUG OR CAP	90° BEND, PLUGGED CROSS	TEE PLUGGED ON RUN		45° BEND	22 1/2° BEND	11 1/4° BEND
			A1	A2			
4	1.0	1.4	1.9	1.4	1.0	---	---
6	2.1	3.0	4.3	3.0	1.6	1.0	---
8	3.8	5.3	7.6	5.4	2.9	1.5	1.0
10	5.9	8.4	11.8	8.4	4.6	2.6	1.2
12	8.5	12.0	17.0	12.0	6.6	3.4	1.7
14	11.5	16.3	23.0	16.3	8.9	4.6	2.3
16	15.0	21.3	30.0	21.3	11.6	6.0	3.0
18	19.0	27.0	38.0	27.0	14.6	7.6	3.8
20	23.5	33.3	47.0	33.3	18.1	9.4	4.7
24	34.0	48.0	68.0	48.0	26.2	13.6	6.8

NOTE:
 1. CONCRETE THRUST BLOCKING TO BE POURED AGAINST UNDISTURBED EARTH.
 2. KEEP CONCRETE CLEAR OF JOINT AND ACCESSORIES.
 3. IF NOT SHOWN ON PLANS, REQUIRED BEARING AREAS AT FITTING SHALL BE AS INDICATED ABOVE, ADJUSTED IF NECESSARY, TO CONFORM TO THE TEST PRESSURE(S) AND ALLOWABLE SOIL BEARING STRESS(ES).
 4. BEARING AREAS AND SPECIAL BLOCKING DETAILS SHOWN ON PLANS TAKE PRECEDENCE OVER BEARING AREAS AND BLOCKING DETAILS SHOWN IN THIS STANDARD DETAIL.
 5. ABOVE BEARING AREAS BASED ON TEST PRESSURE OF 150 P.S.I. AND AN ALLOWABLE SOIL BEARING STRESS OF 2000 POUNDS PER SQUARE FOOT. TO COMPUTE BEARING AREAS FOR DIFFERENT TEST PRESSURES AND SOIL BEARING STRESSES, USE THE FOLLOWING EQUATION: BEARING AREA = (TEST PRESSURE/150) X (2000/SOIL BEARING STRESS) X (TABLE VALUE).

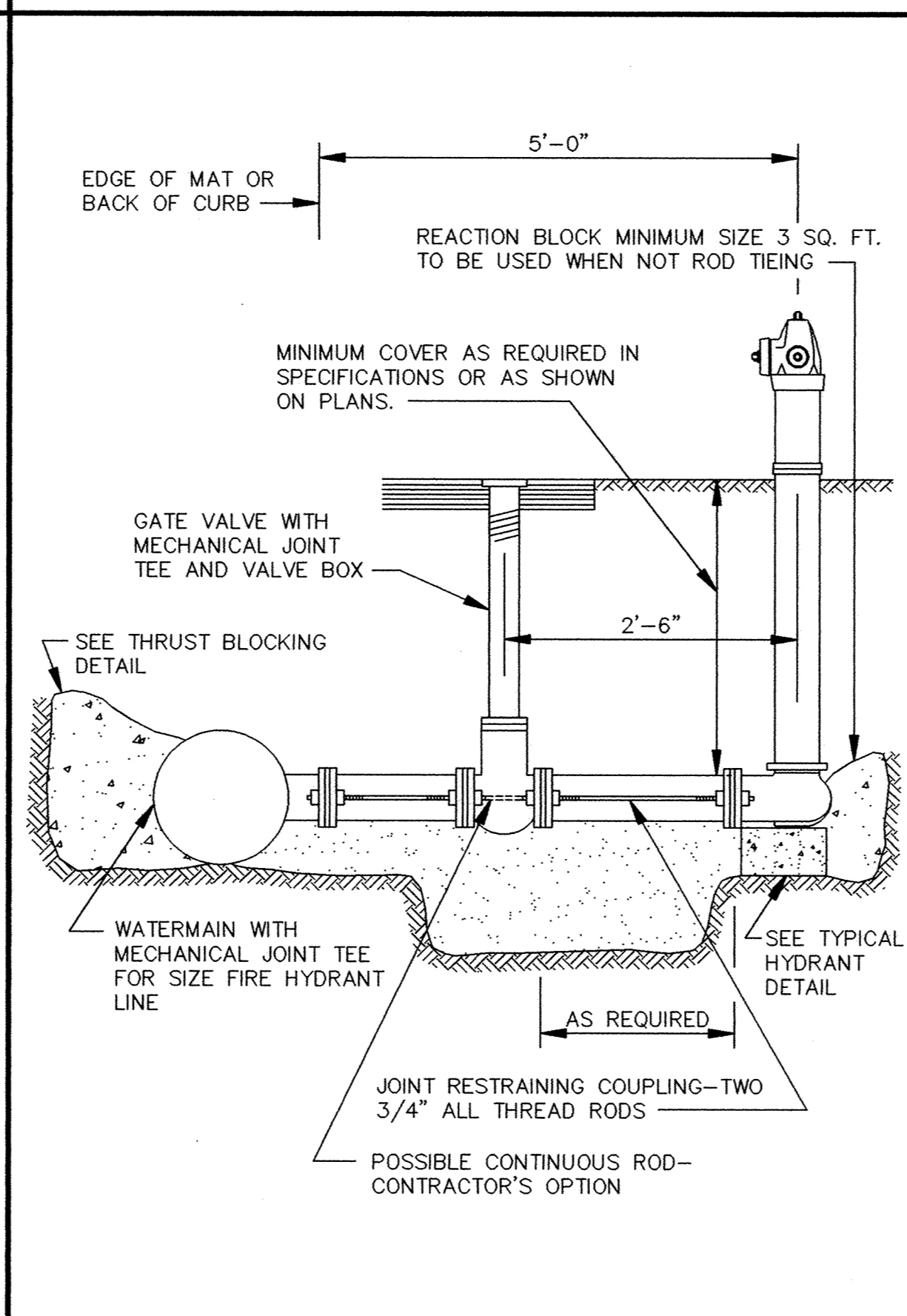
THRUST BLOCKING DETAIL



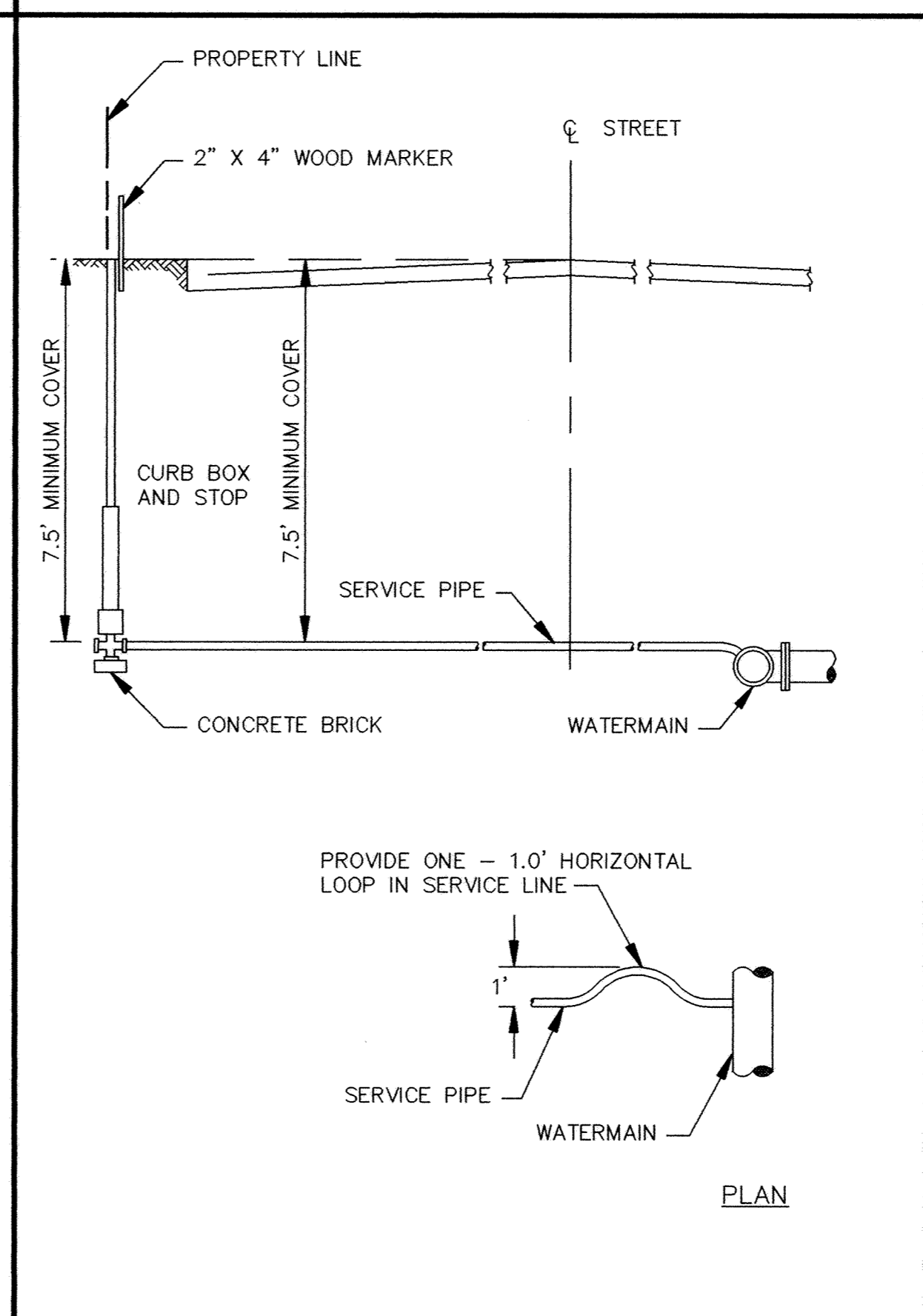
WATERMAIN CROSSING



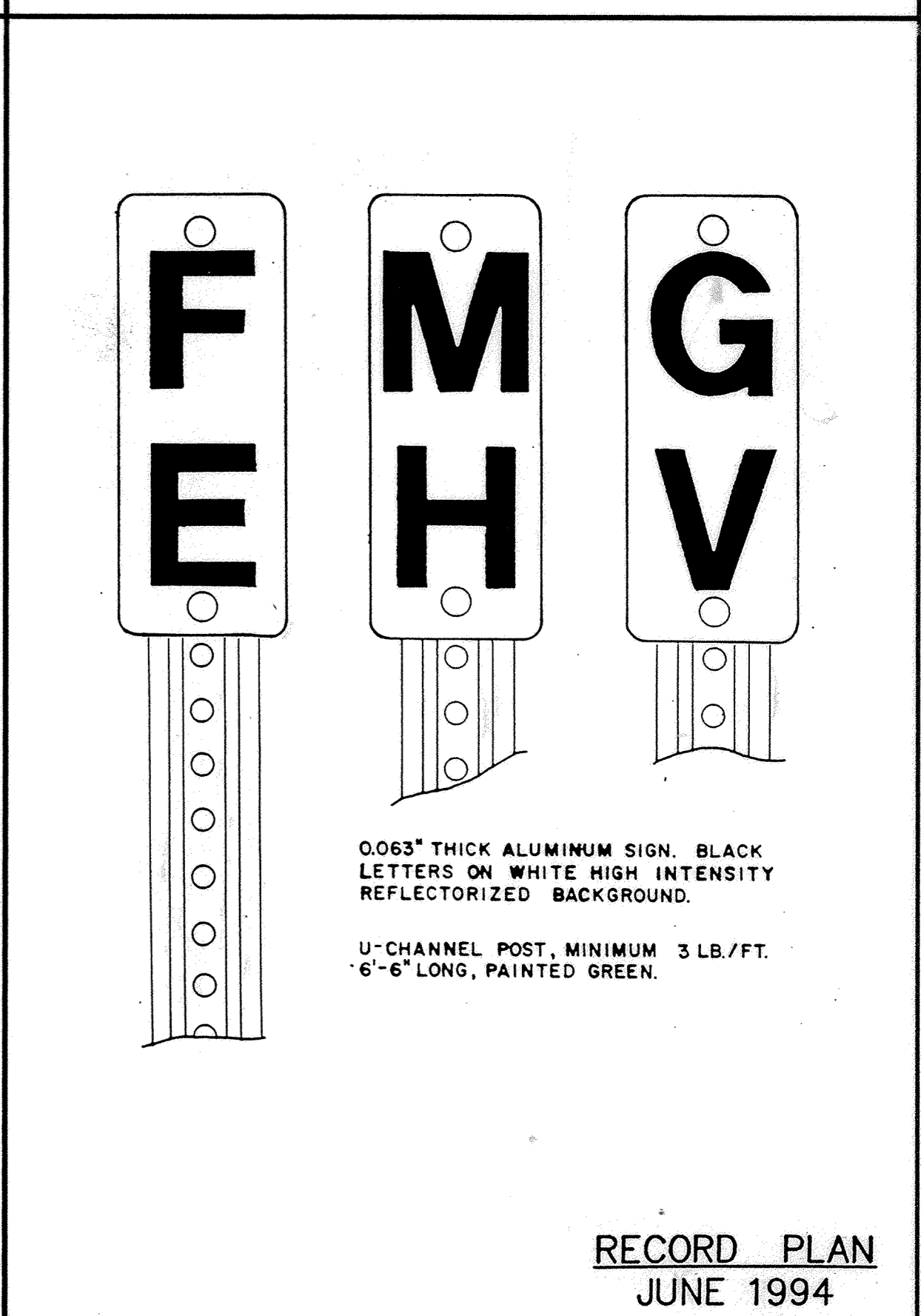
PIPE INSULATION DETAIL



RODDING DETAIL



TYPICAL SERVICE DETAIL



STRUCTURE MARKER SIGNS

ER190-02

I HEREBY CERTIFY THAT THIS PLAN, SPECIFICATION, OR REPORT WAS PREPARED BY ME OR UNDER MY DIRECT SUPERVISION AND THAT I AM A DULY REGISTERED PROFESSIONAL ENGINEER UNDER THE LAWS OF THE STATE OF MINNESOTA.
Mark V. Strahan
 DATE 10/21/93 REG. NO. 19130

MSA
 CONSULTING ENGINEERS

1326 ENERGY PARK DRIVE
 ST. PAUL, MINNESOTA 55108
 (612) 644-4389

9800 SHELARD PARKWAY
 MINNEAPOLIS, MINNESOTA 55441
 (612) 546-0432

REVISIONS	DATE	DESCRIPTION	DESIGNED	CHECKED	DRAWN	CLS

GRAPHIC SCALE
 0 HORIZ.
 0 VERT.

CITY OF ELK RIVER
 NORTHEAST AREA - WATERMAIN EXTENSION
 WATERMAIN DETAILS

DATE SEPT. 1993 SHEET 12 OF 12 SHEETS PROJECT NO. 230-195