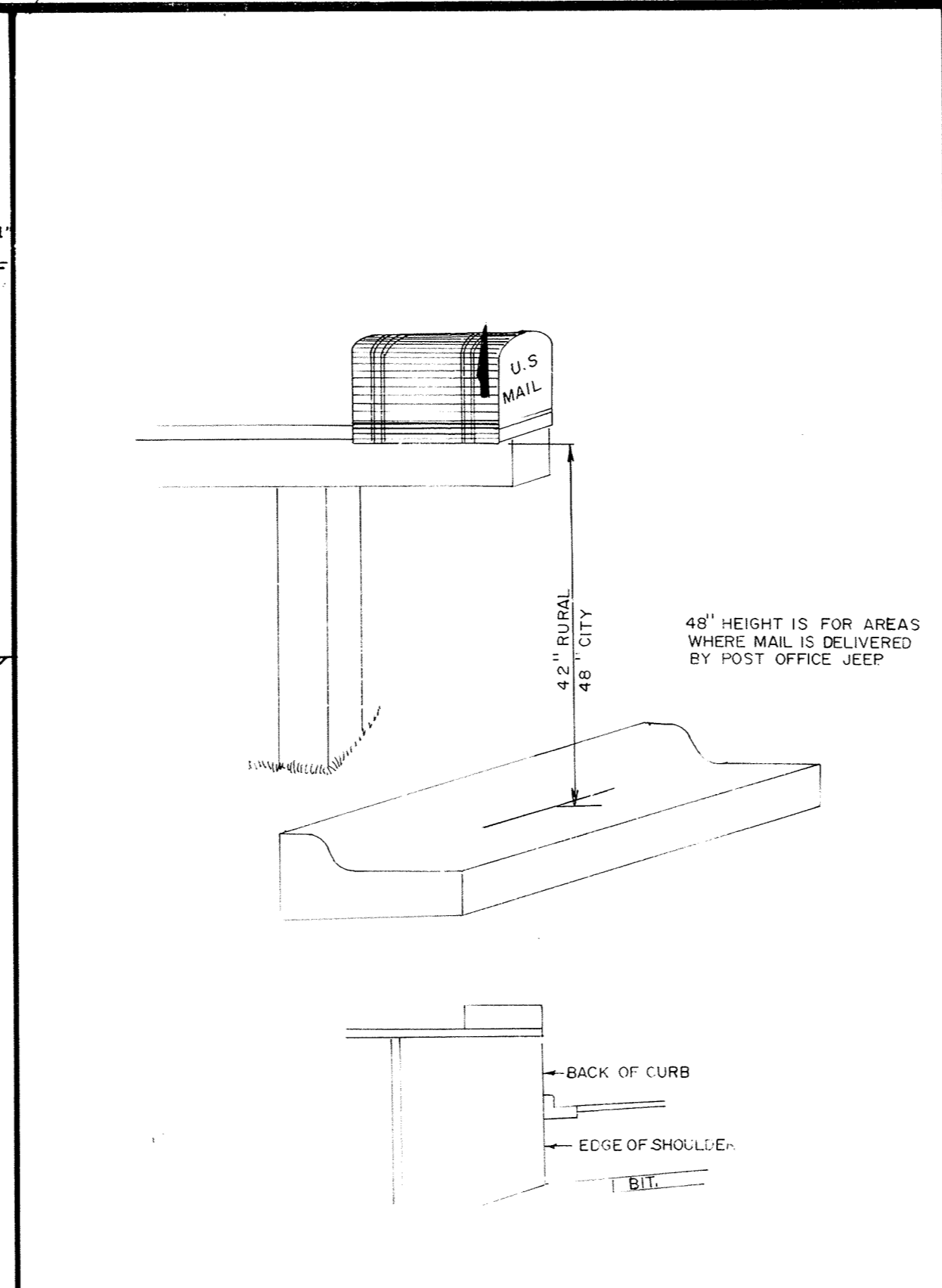
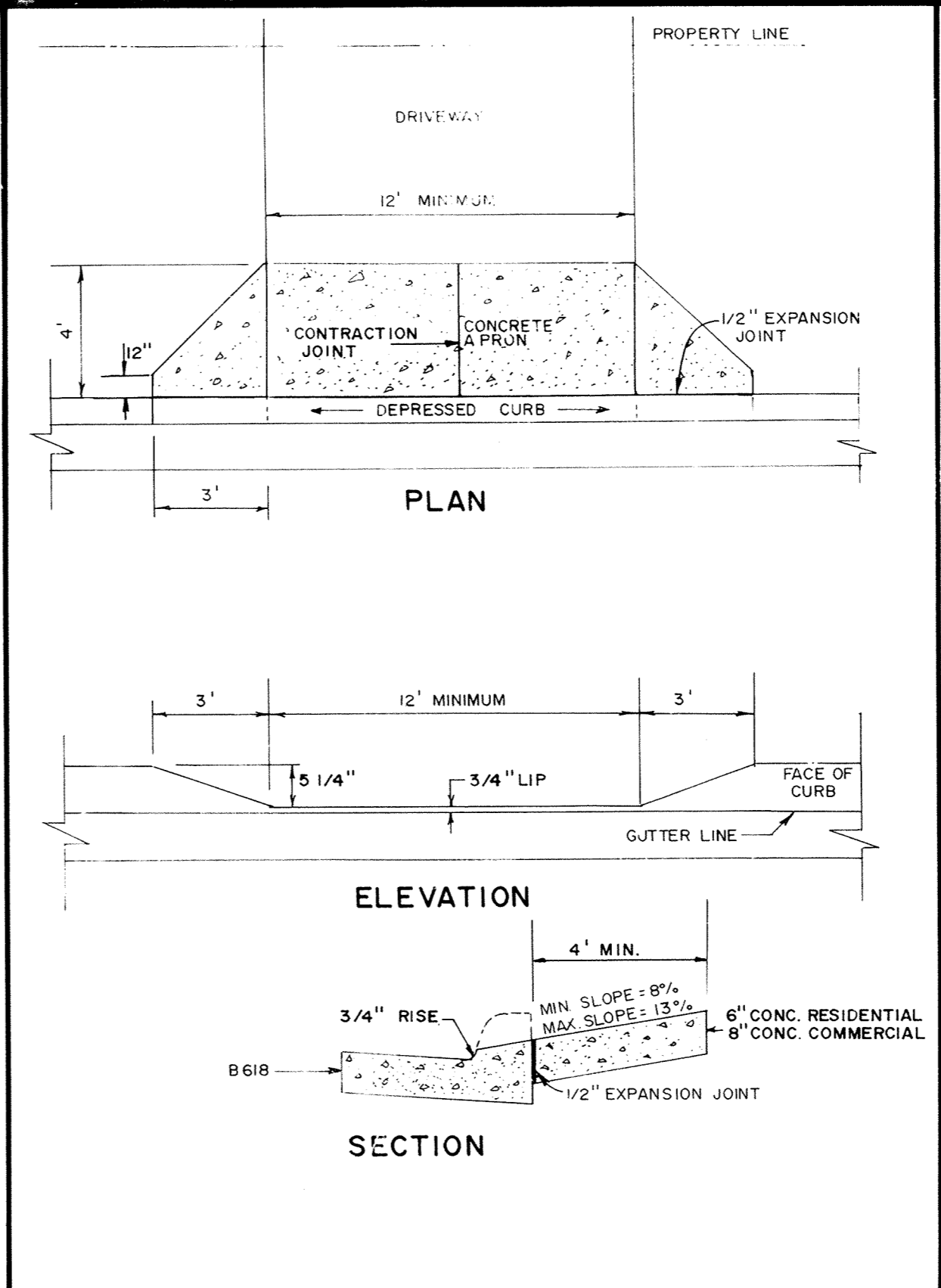


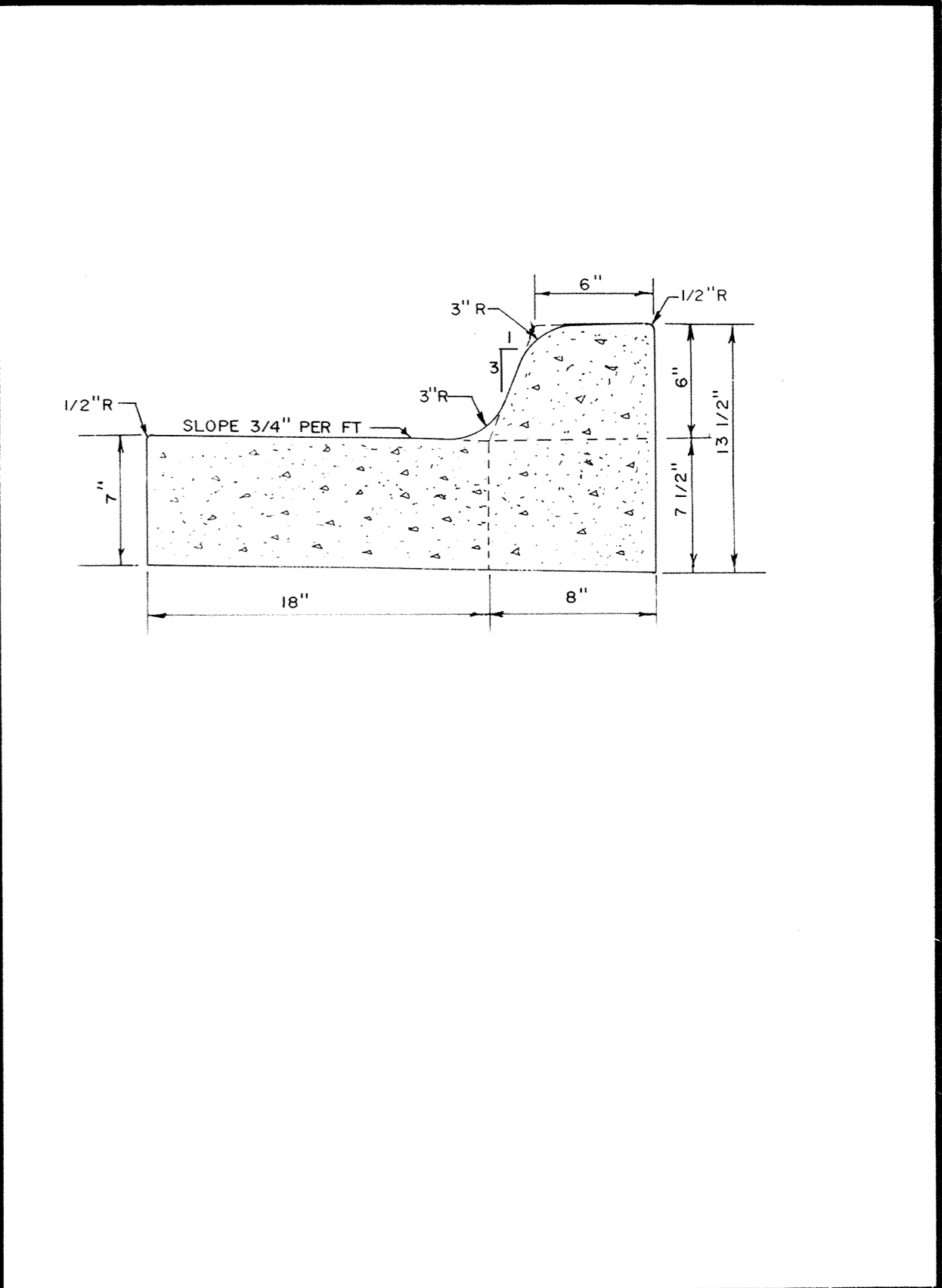
PERMANENT BARRICADE



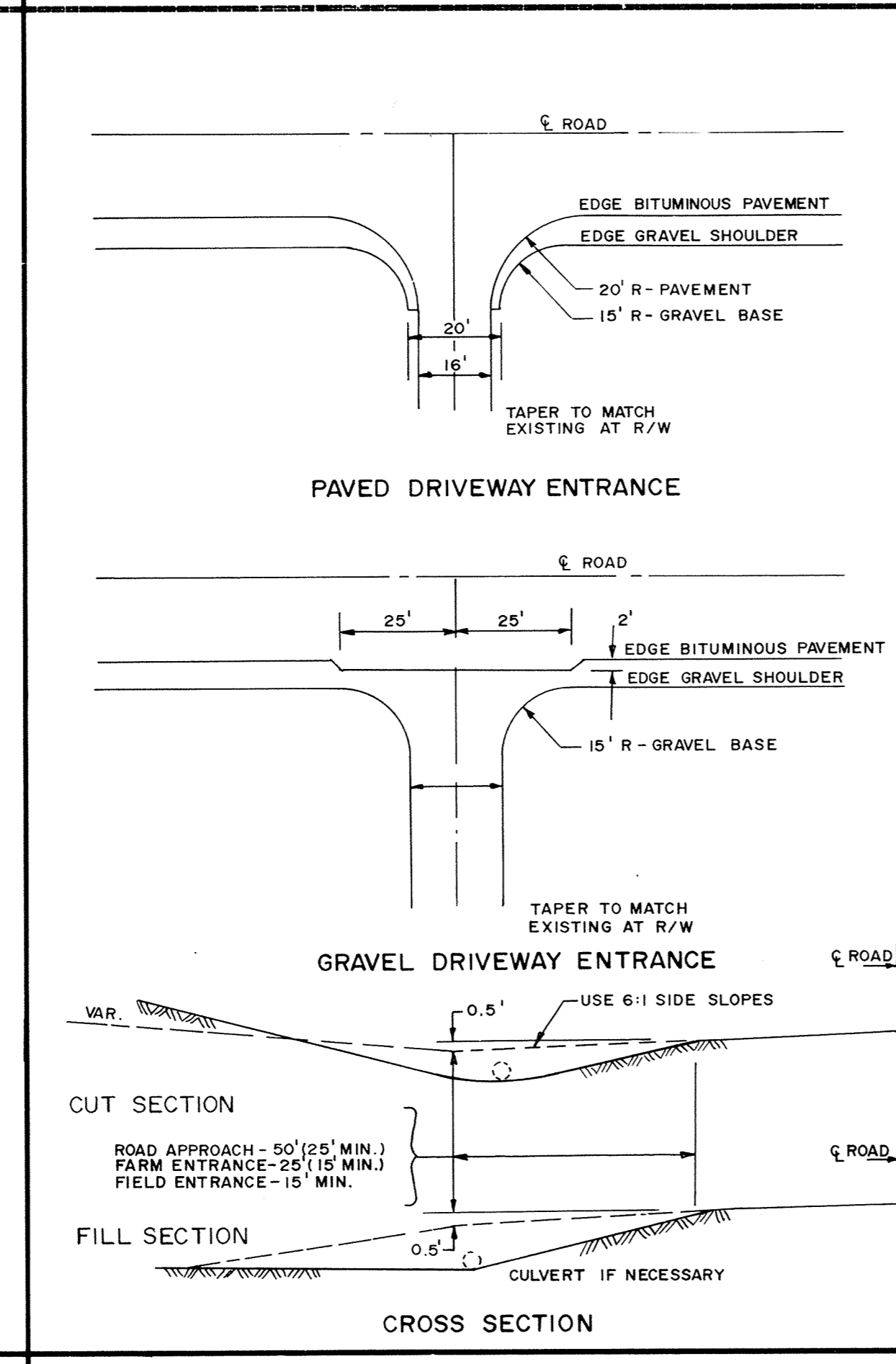
MAIL BOX



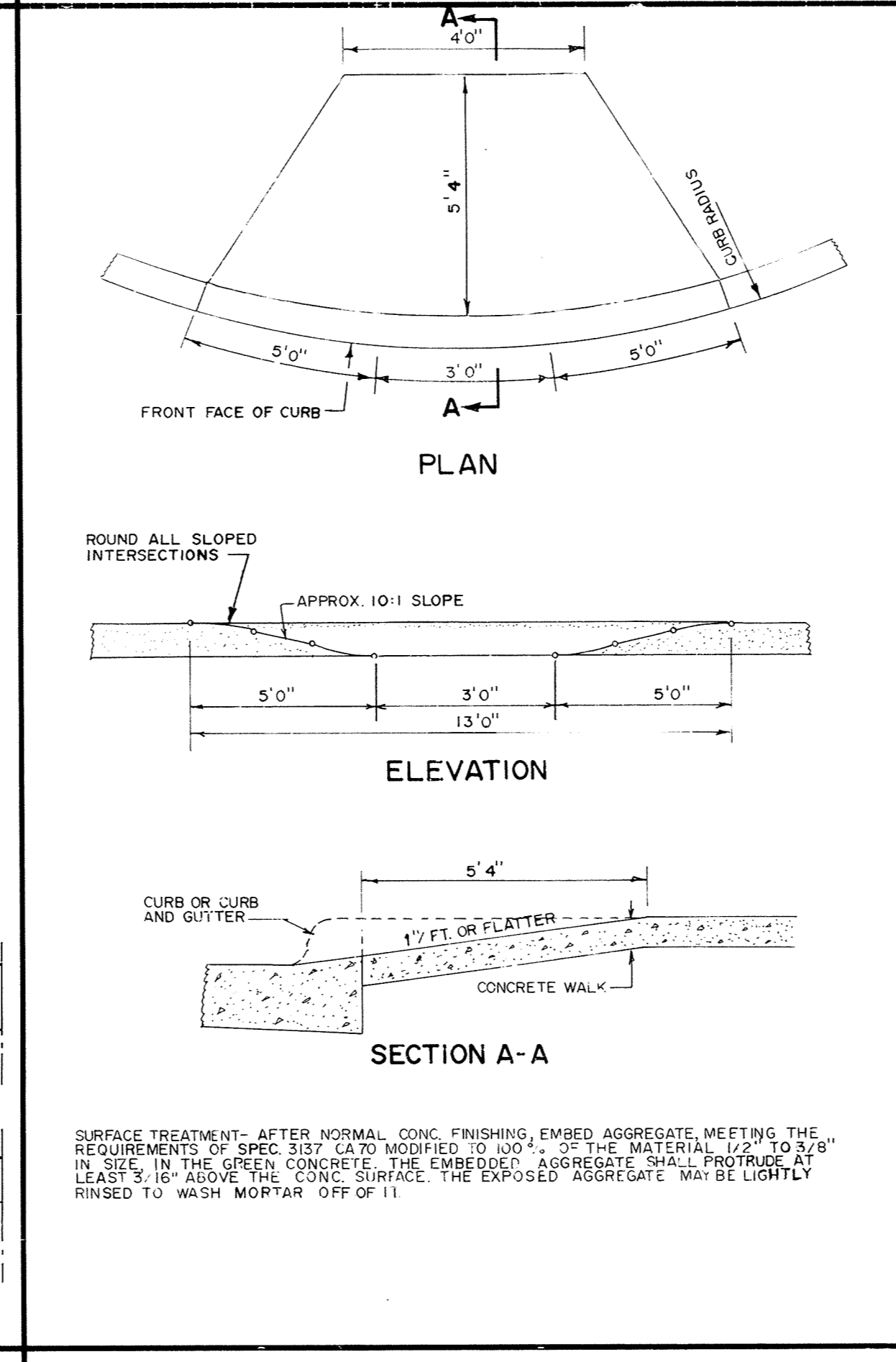
DEPRESSED CURB W/ DRIVEWAY APRON



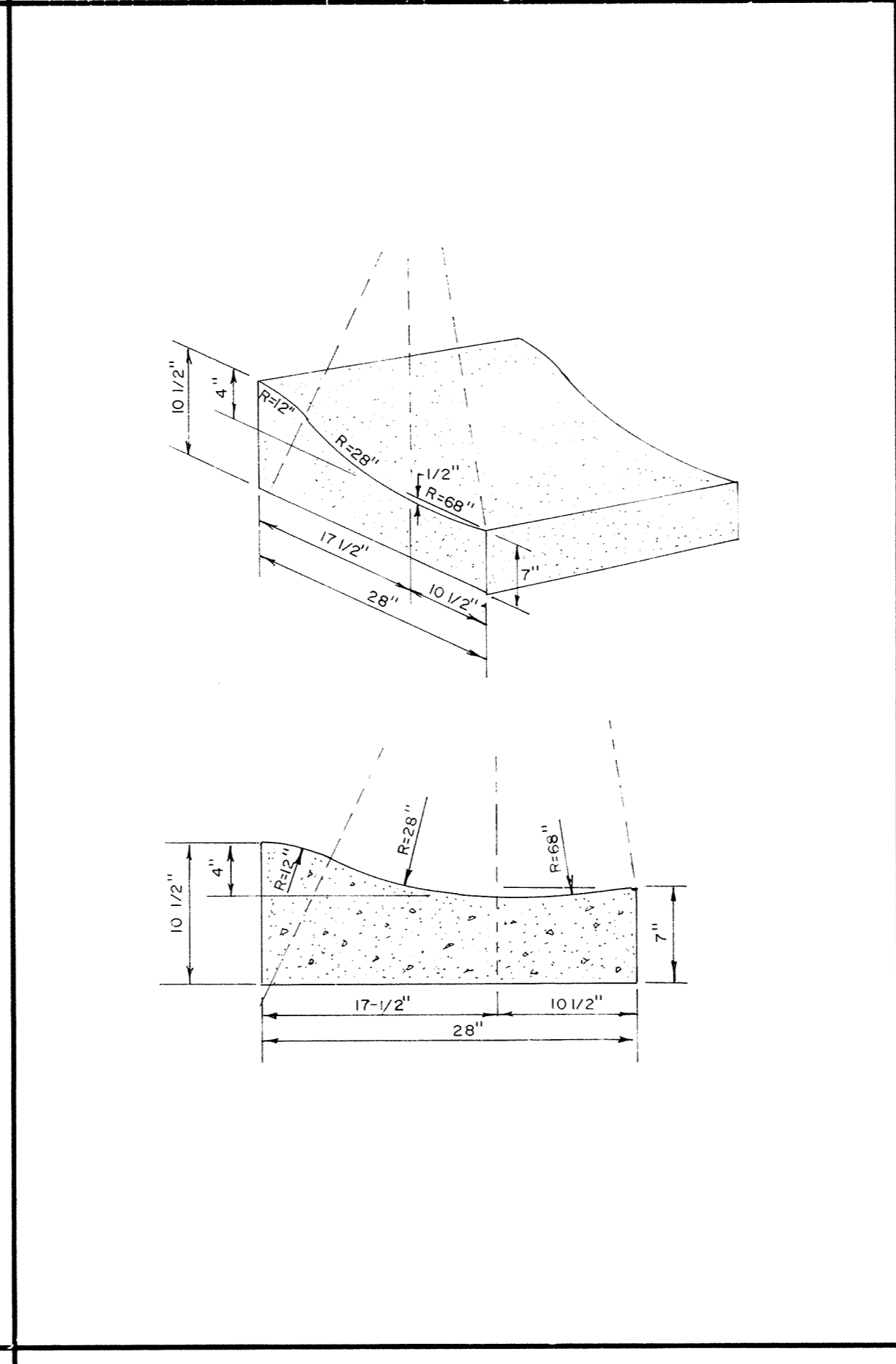
CONCRETE CURB AND GUTTER B618



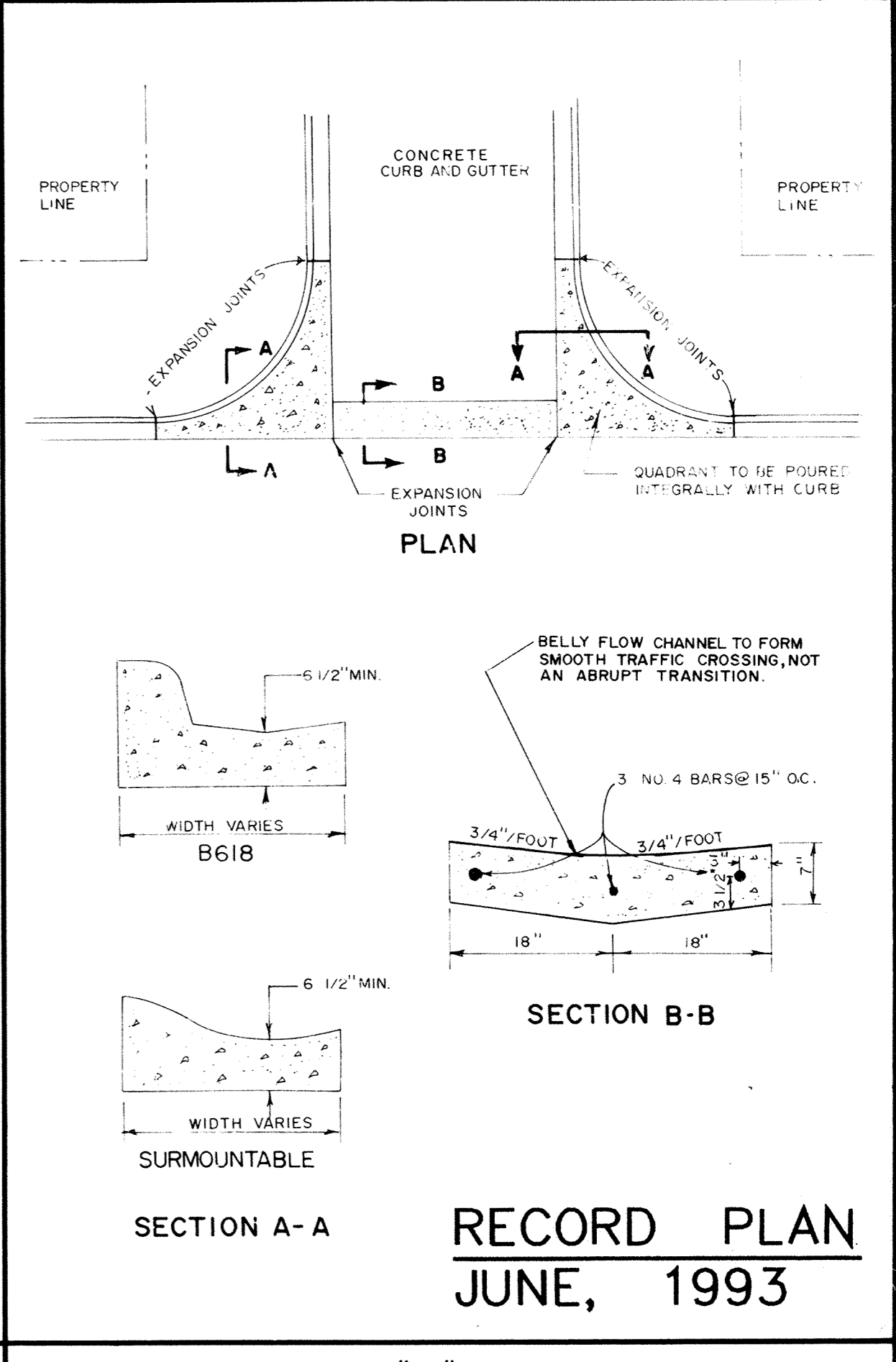
RURAL DRIVEWAY ENTRANCE



PEDESTRIAN CURB RAMPS



SURMOUNTABLE CONCRETE CURB AND GUTTER



CONCRETE "V" GUTTER

MS&A CONSULTING ENGINEERS
 Maier Stewart & Associates Inc.
 1959 SLOAN PLACE (612) 774-6021 ST. PAUL, MINNESOTA 55117

DATE	DESCRIPTION	DESIGNED	CHECKED	DRAWN

GRAPHIC SCALE
 0 HORIZ. NONE
 0 VERT.

CITY OF ELK RIVER
 HILLSIDE ESTATES
 STREET CONSTRUCTION DETAILS

DATE MAY, 1992 SHEET 19 OF 19 SHEETS PROJECT NO. 230-140