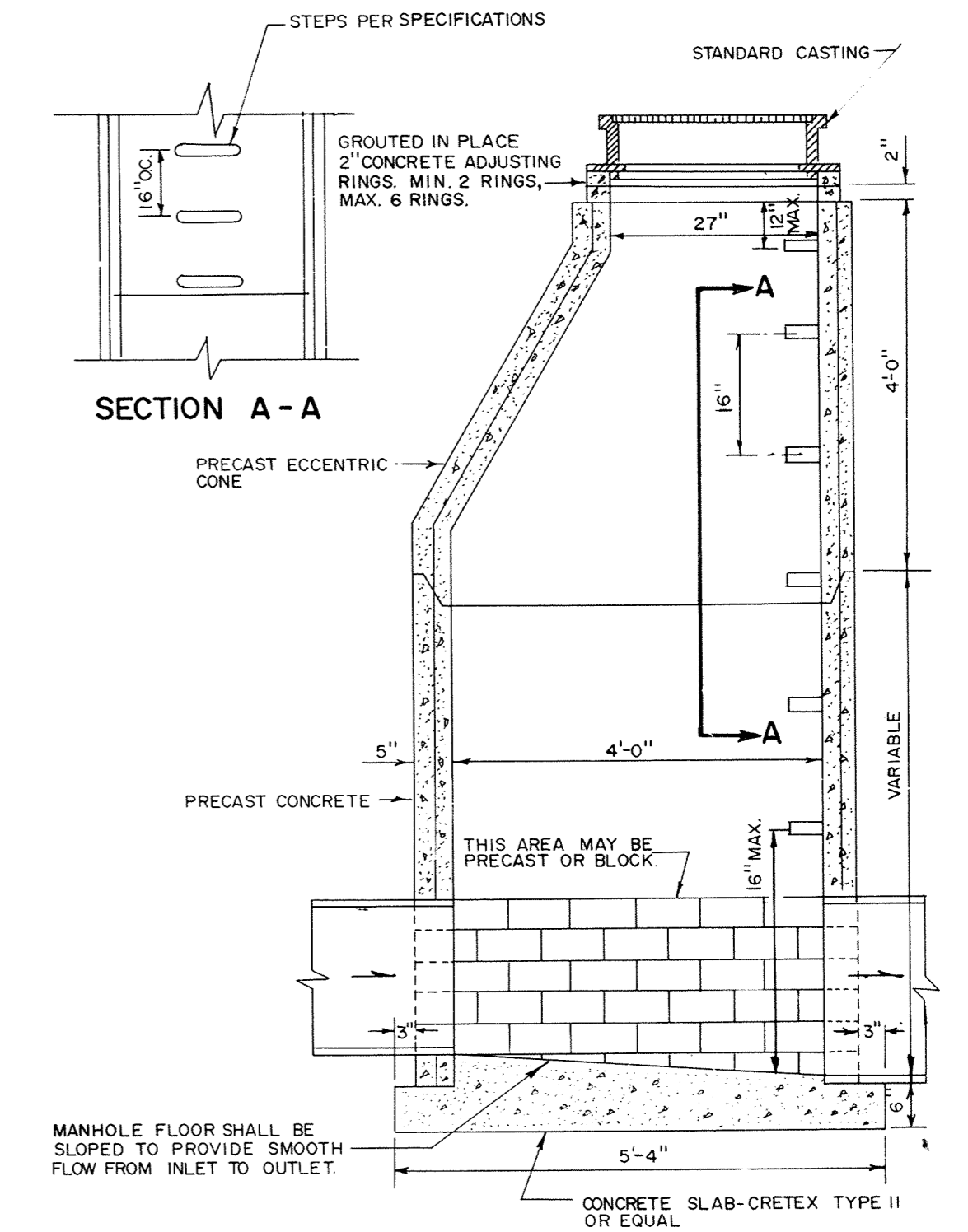
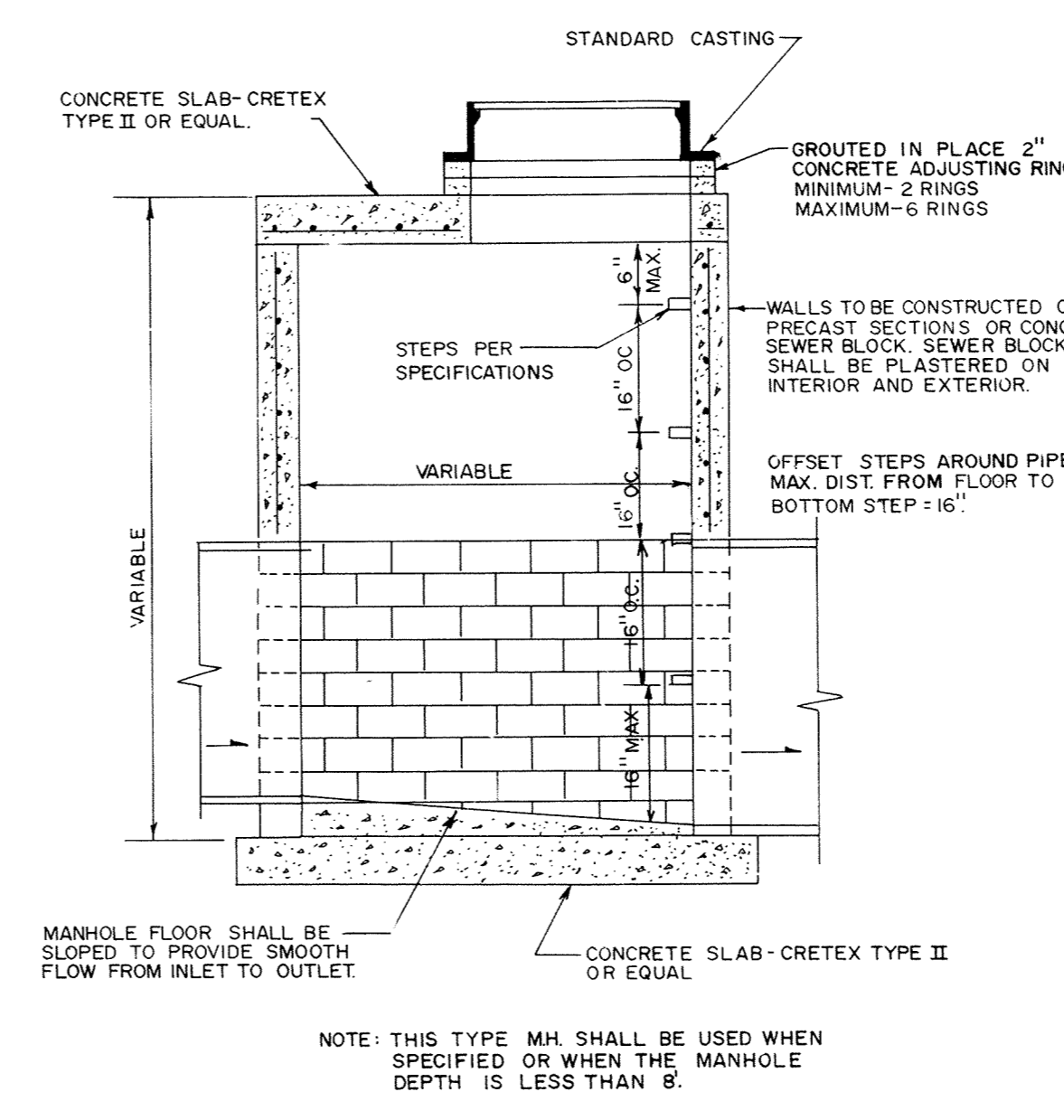


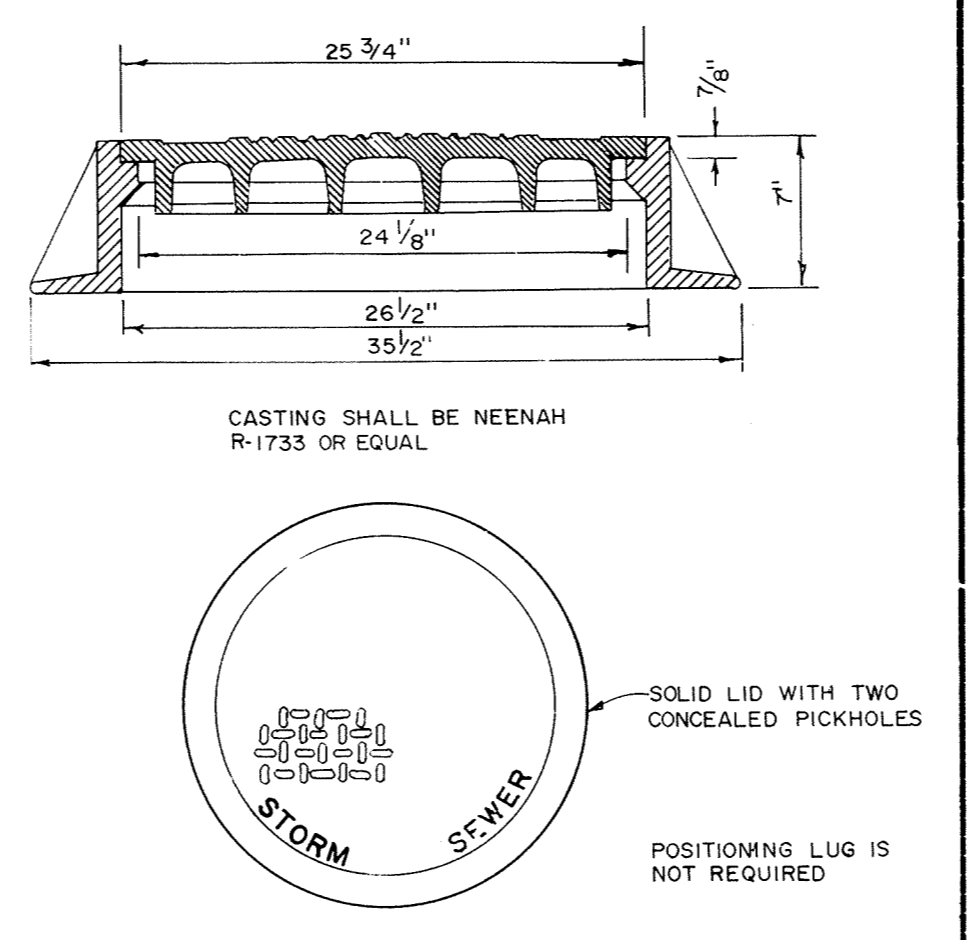
SAICO PRODUCTS - NEW HOPKINS, MINNESOTA  
REVISIONS BY PART NUMBER 5533  
MINNESOTA BLUEPRINT



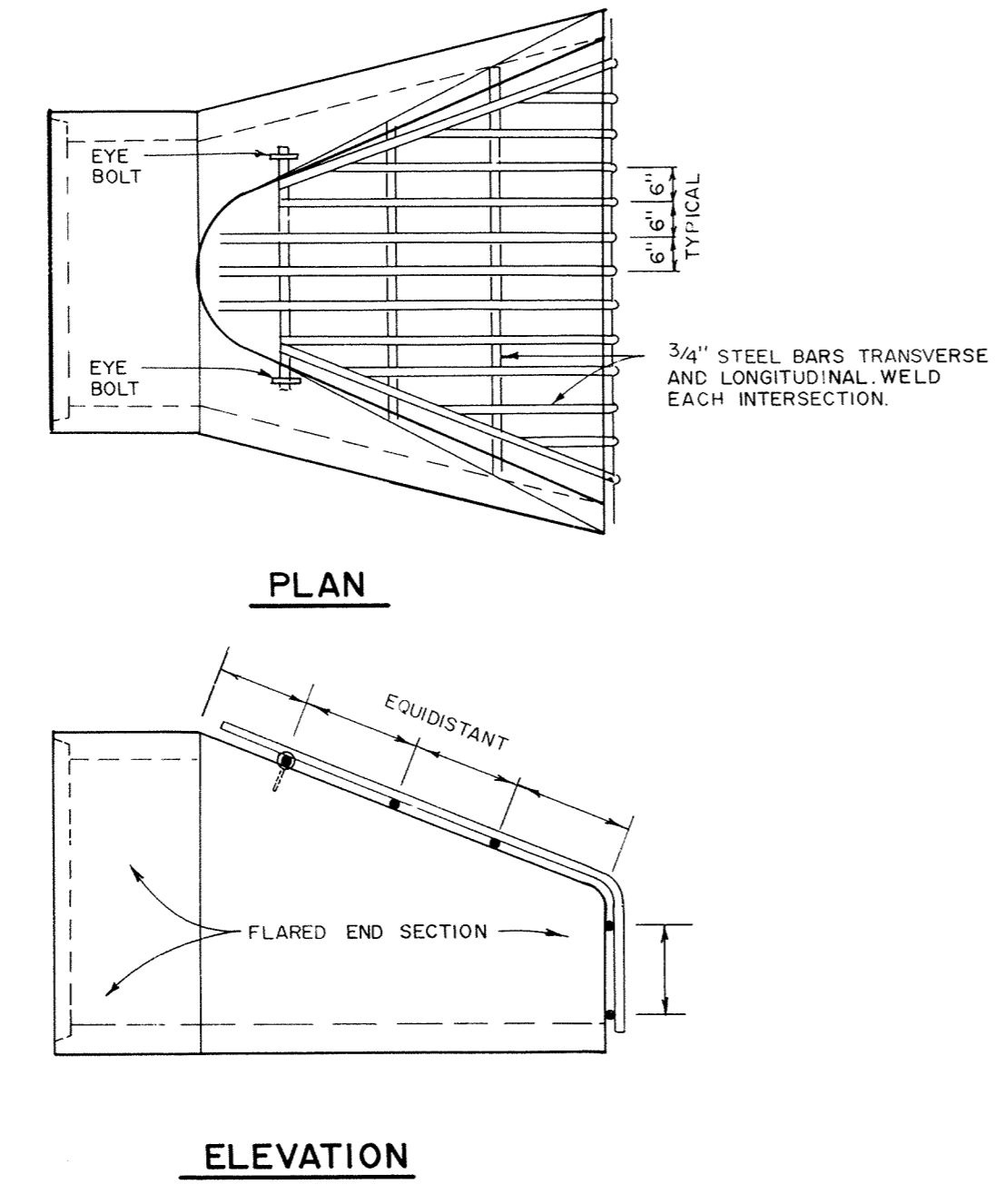
STANDARD MANHOLE



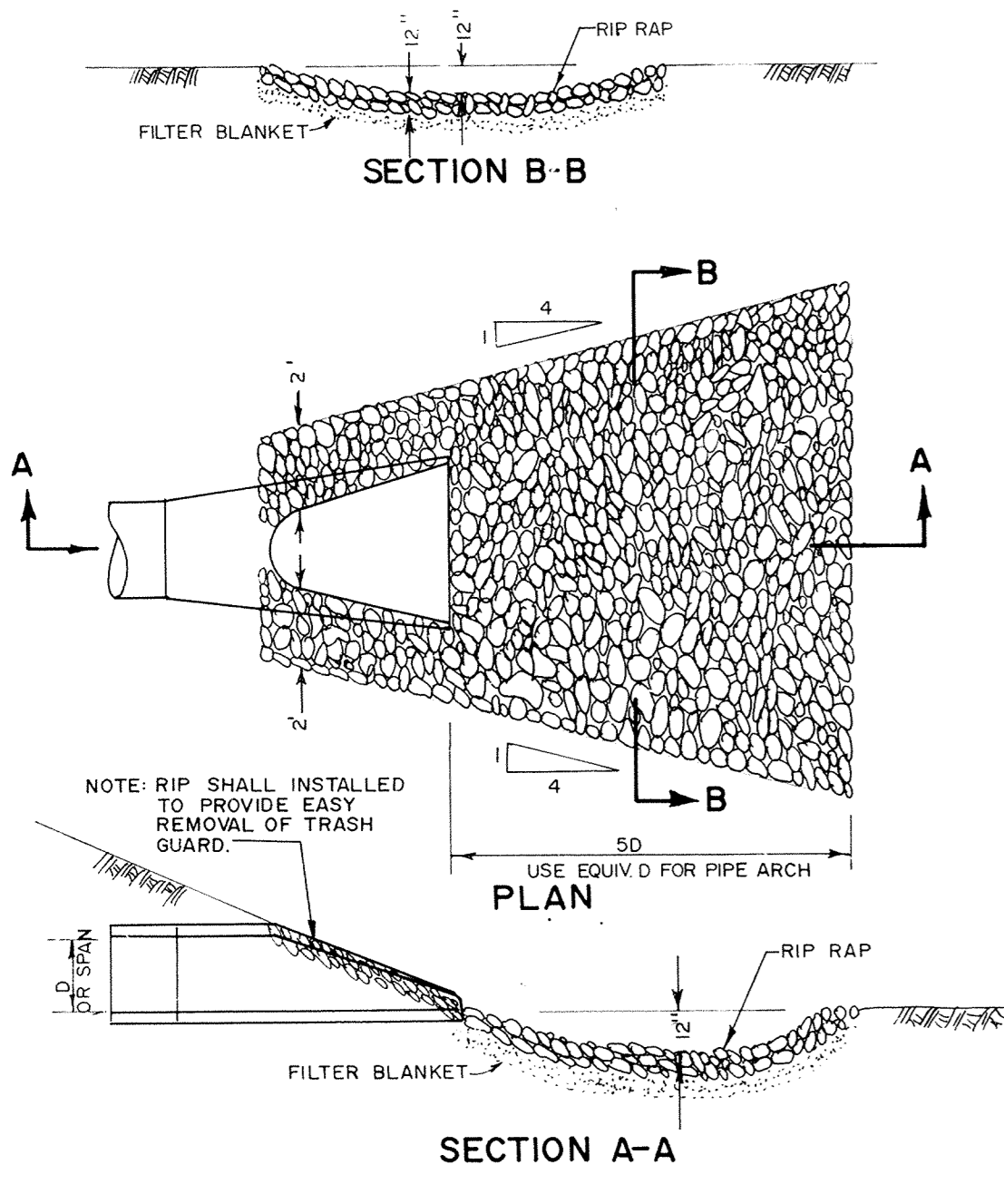
SLAB-TOP MANHOLE



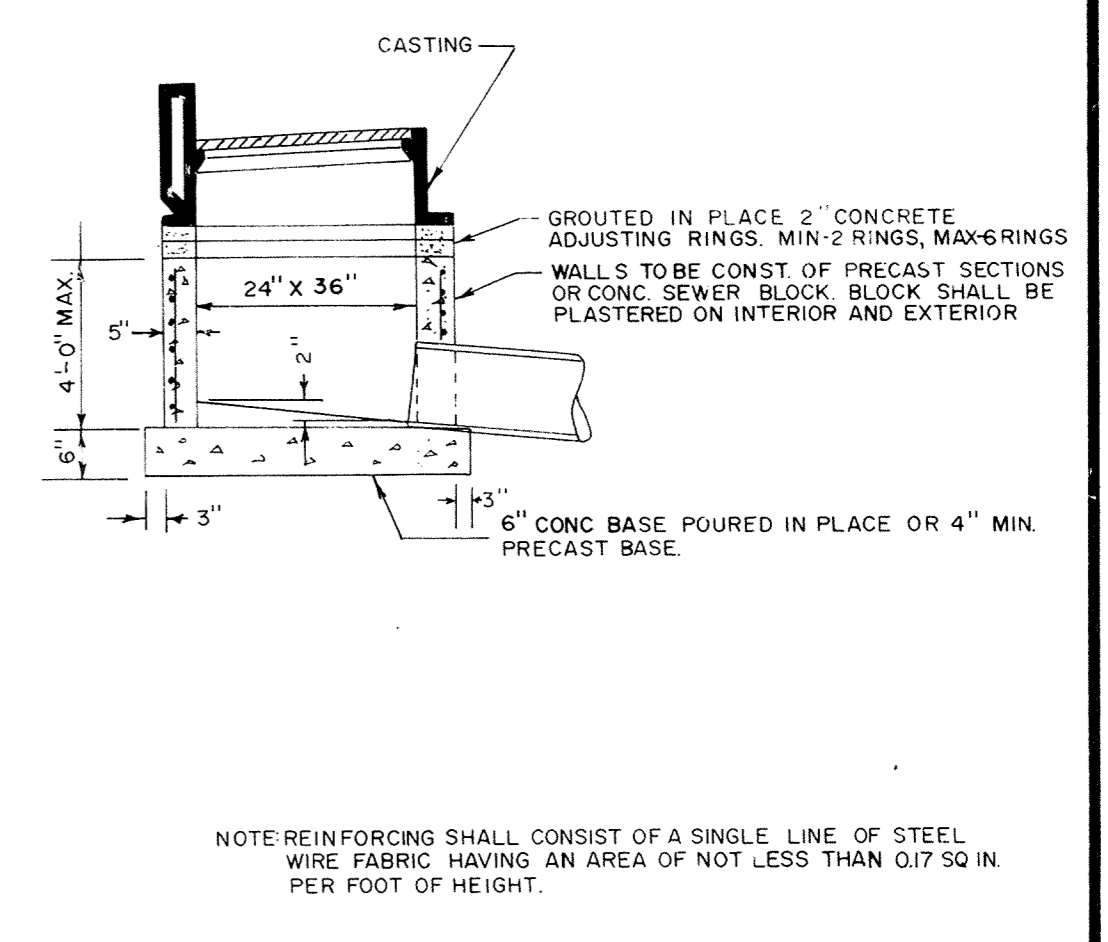
STANDARD MANHOLE CASTING



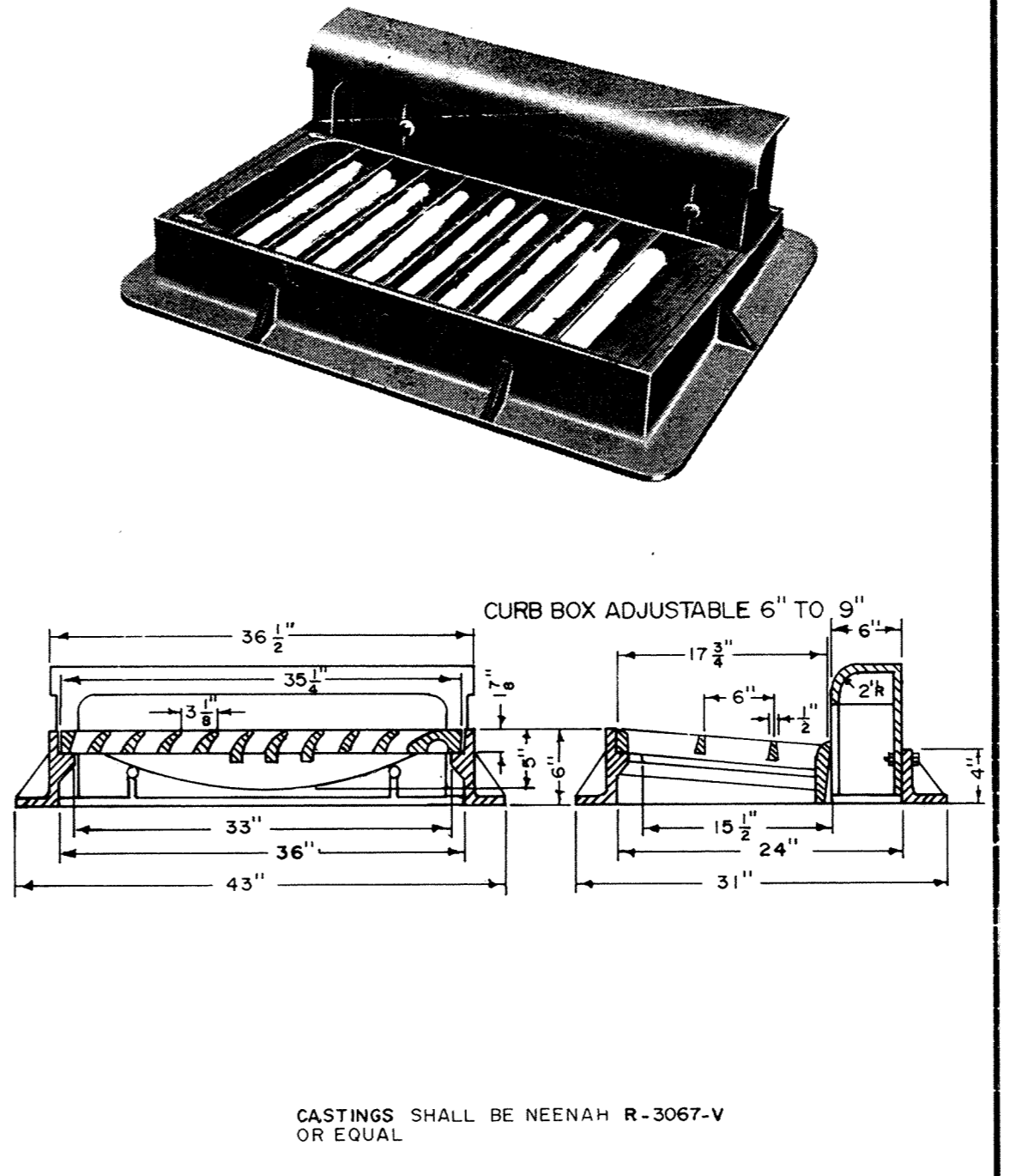
TRASH GUARD



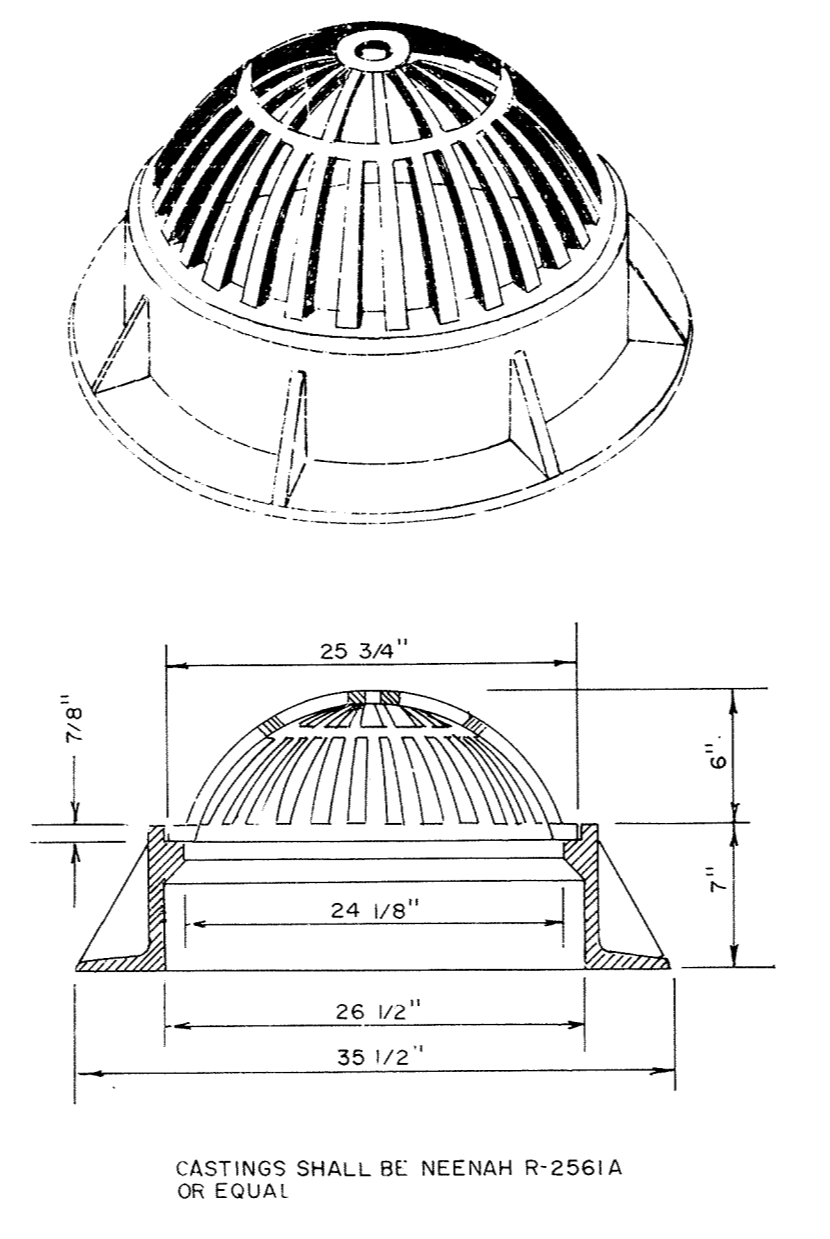
RIP-RAP INSTALLATION



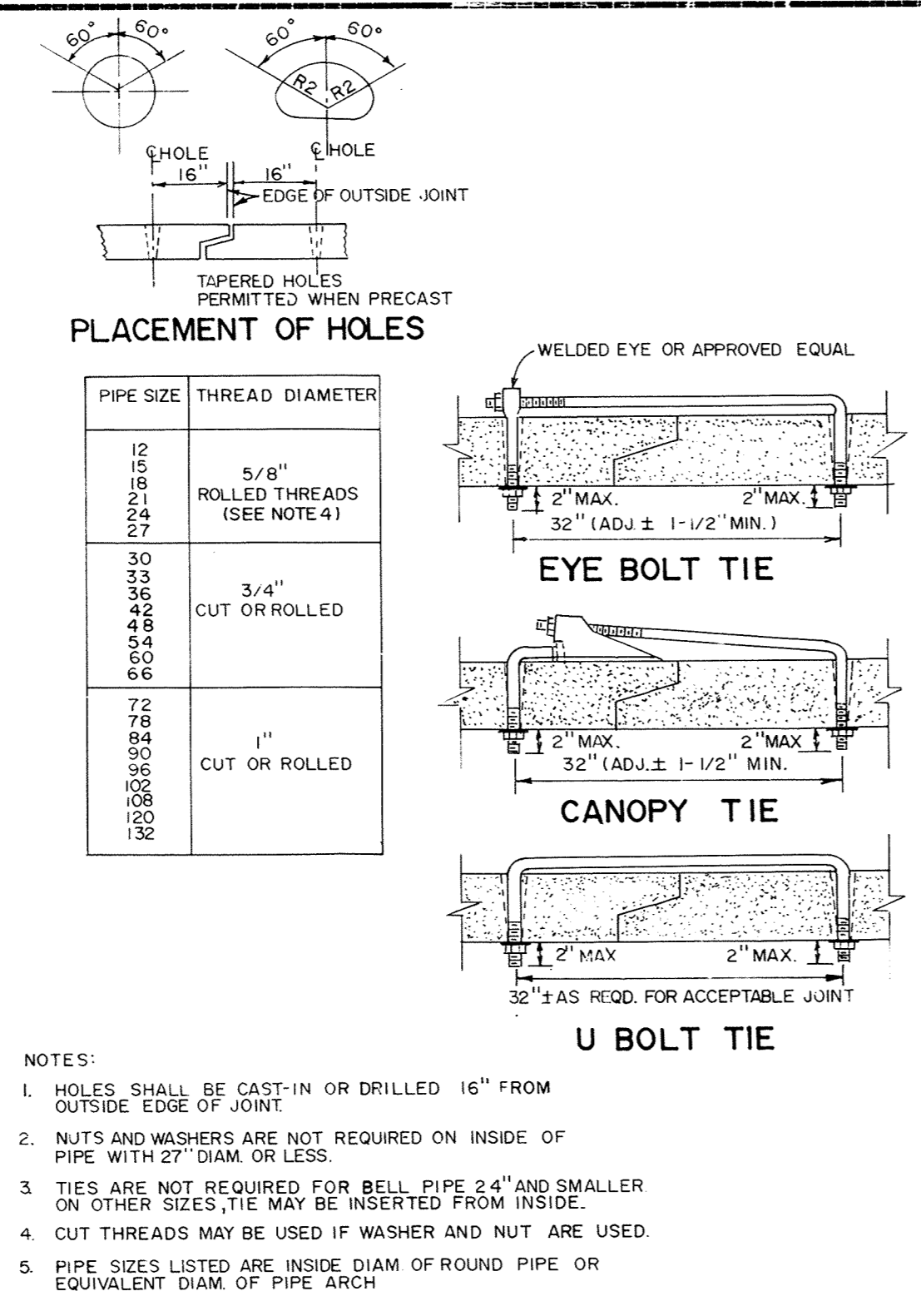
SHALLOW CATCH BASIN



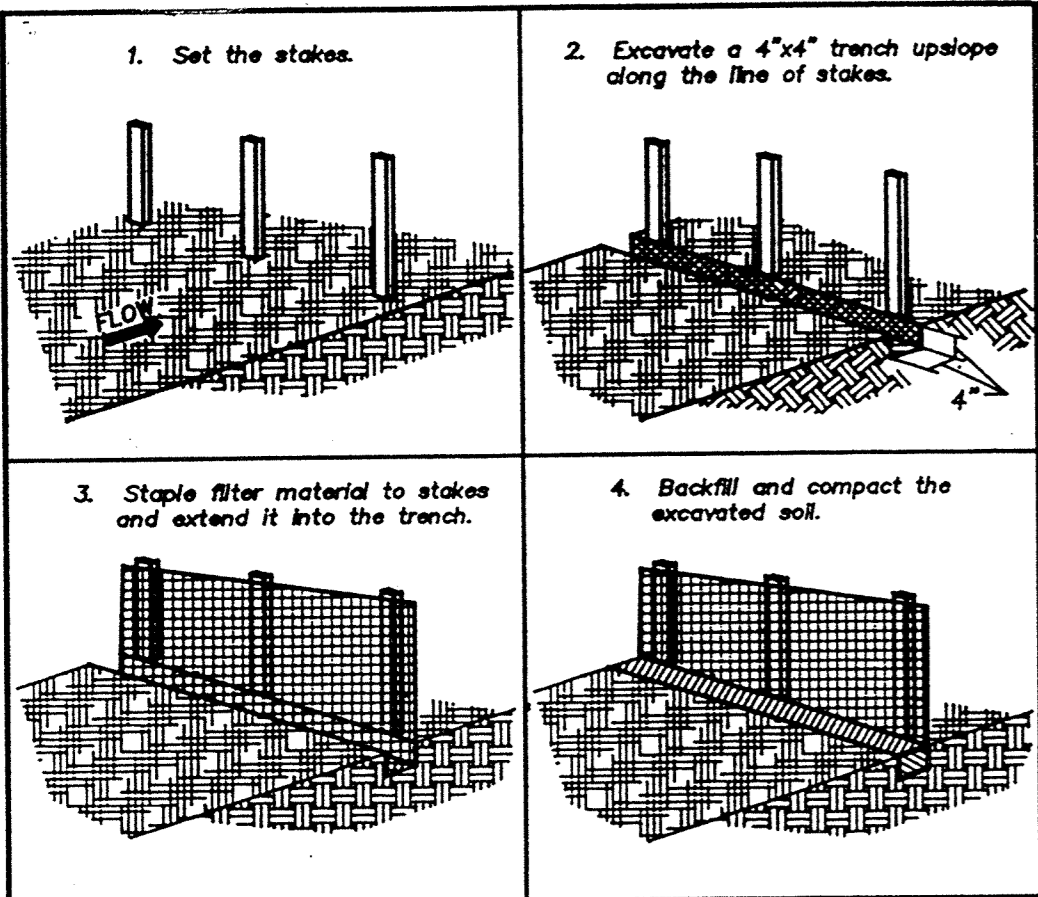
STANDARD INLET CASTING



BEEHIVE CASTING



CONCRETE PIPE JOINT TIES



SILT FENCE DETAIL

**EROSION CONTROL**

Erosion control devices shall be placed, maintained and removed by the Contractor. The control measures shall be located as shown on the plans or as directed by the Surveyor or Engineer. The Contractor shall be responsible for all on-site drainage and shall provide sedimentation basins to limit sediments from reaching the natural drainage course.

RECORD PLAN  
JUNE, 1993

**MSA** CONSULTING ENGINEERS  
Maier Stewart & Associates Inc.  
1959 SLOAN PLACE (612) 774-6021 ST. PAUL, MINNESOTA 55117

DATE	DESCRIPTION	DESIGNED
		CHECKED
		DRAWN - MSJ
		GRAPHIC SCALE
		0 HORIZ. NONE
		0 VERT.

CITY OF ELK RIVER  
HILLSIDE ESTATES  
STORM SEWER DETAILS

DATE MAY, 1992 SHEET 18 OF 19 SHEETS PROJECT NO. 230-140