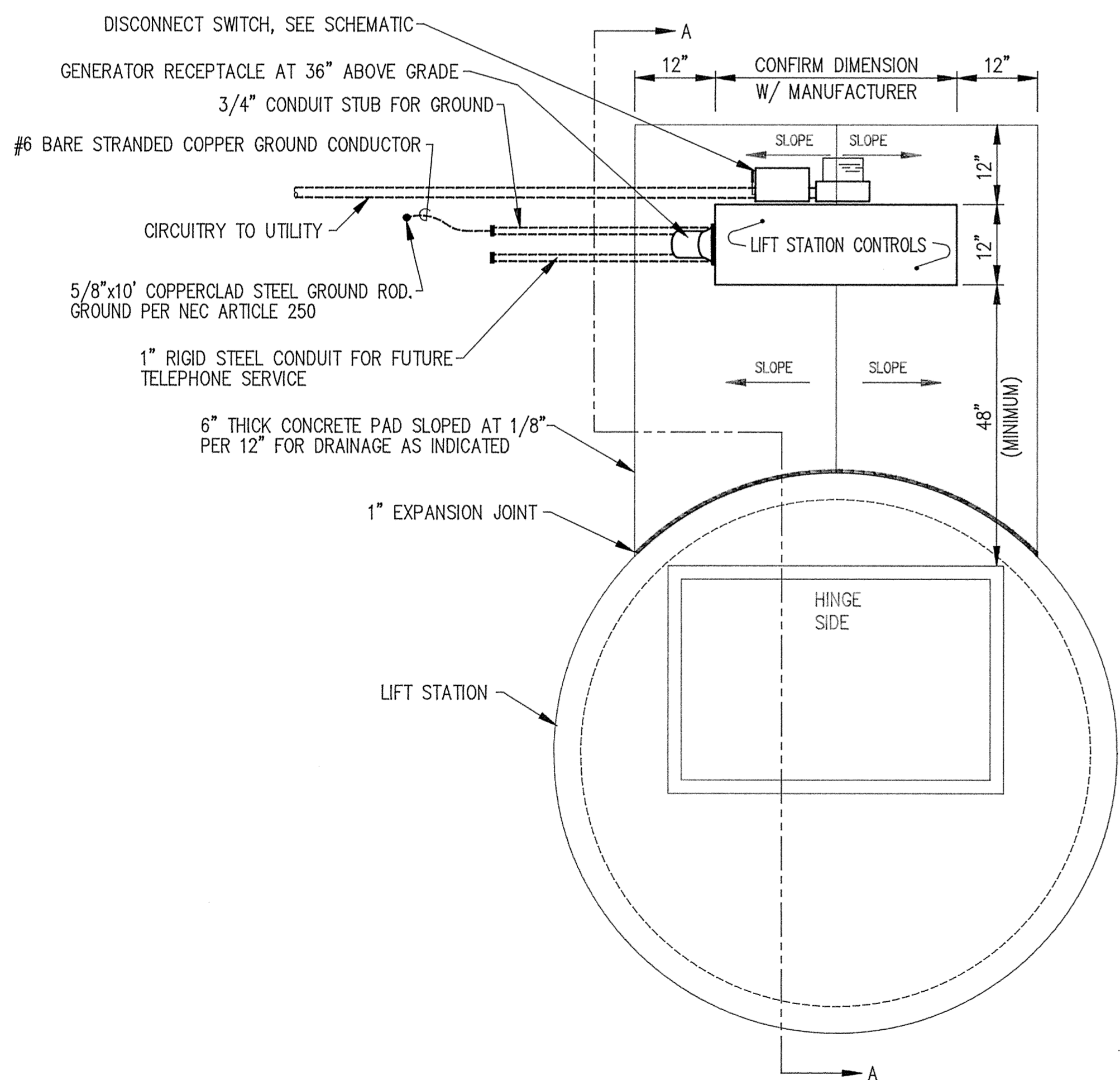


SECTION A-A



PLAN VIEW
LIFT STATION DETAILS
SCALE: 3/4"=1'-0"

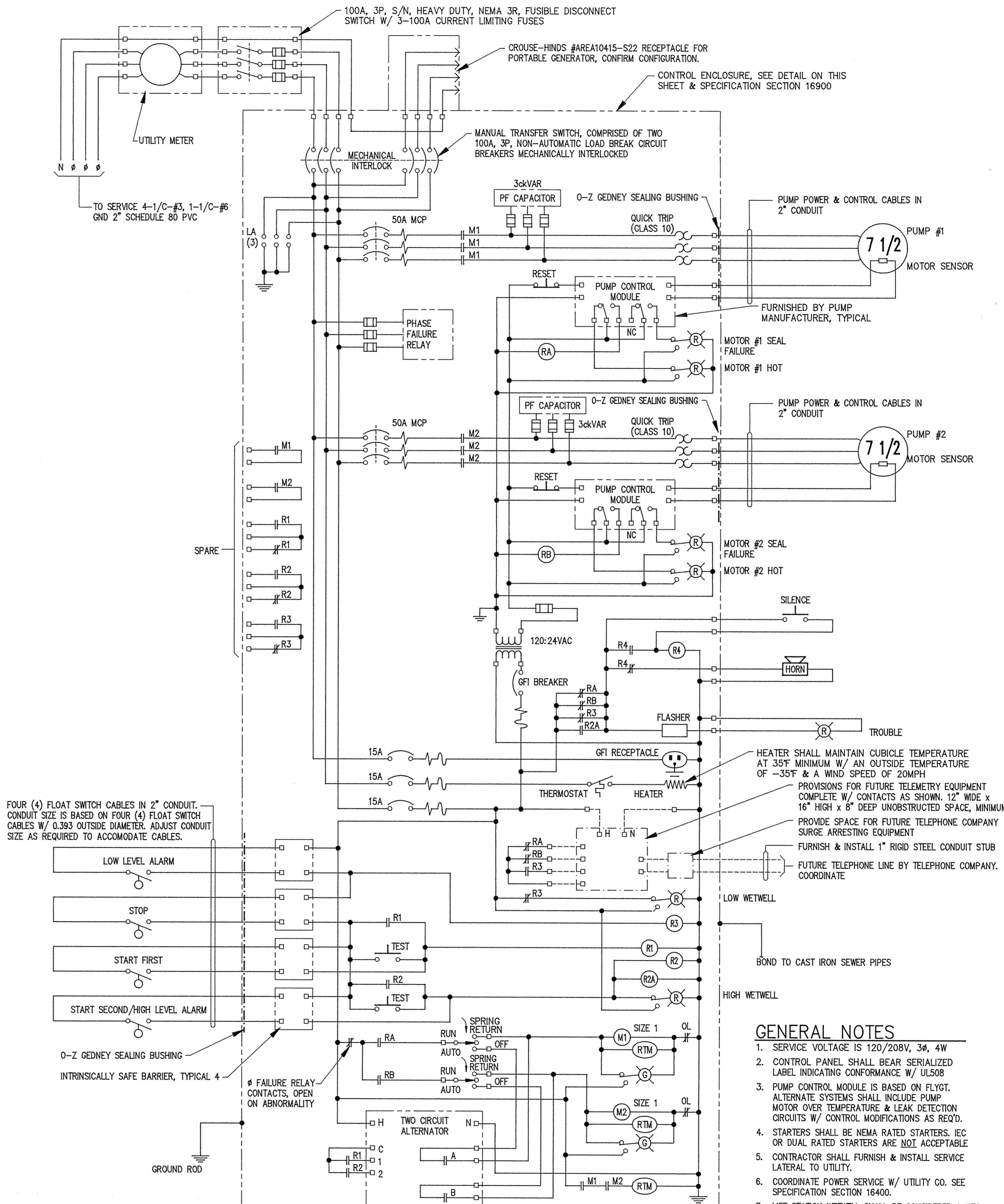
This drawing was prepared by:
Kaeding & Associates, Inc.
7300 France Avenue South
Suite 330
Minneapolis, MN 55435
Telephone: (612) 831-0317
Fax: (612) 831-2179

I hereby certify that this report, plan, or specification was prepared by me or under my direct supervision and I am a duly registered Professional Engineer under the laws of the state of Minnesota.
[Signature]
Date: 04 JUNE 92 Registration No.: 19955

Maier Stewart & Associates Inc.
CONSULTING ENGINEERS
1959 SLOAN PLACE [612] 774-6021 ST. PAUL, MINNESOTA 55117

RECORD PLAN
JUNE, 1993

NO SCALE
DUPLIX LIFT STATION SCHEMATIC



GENERAL NOTES

- SERVICE VOLTAGE IS 120/208V, 3Ø, 4W
- CONTROL PANEL SHALL BEAR SERIALIZED LABEL INDICATING CONFORMANCE W/ UL508
- PUMP CONTROL MODULE IS BASED ON FLYGT. ALTERNATE SYSTEMS SHALL INCLUDE PUMP MOTOR OVER TEMPERATURE & LEAK DETECTION CIRCUITS W/ CONTROL MODIFICATIONS AS REQ'D.
- STARTERS SHALL BE NEMA RATED STARTERS. IEC OR DUAL RATED STARTERS ARE NOT ACCEPTABLE
- CONTRACTOR SHALL FURNISH & INSTALL SERVICE LATERAL TO UTILITY.
- COORDINATE POWER SERVICE W/ UTILITY CO. SEE SPECIFICATION SECTION 16400.
- LIFT STATION WETWELL SHALL BE CONSIDERED A NEC CLASS 1, DIVISION 1 AREA.
- GROUND SYSTEM PER NEC ARTICLE 250.

REVISIONS	DATE	DESCRIPTION	DESIGNED PFK	CHECKED SJS	DRAWN TLH

CITY OF ELK RIVER HILLSIDE ESTATES LIFT STATION ELECTRICAL	
DATE JUNE 1992	SHEET 15 OF 19 SHEETS
PROJECT NO. 230-140	