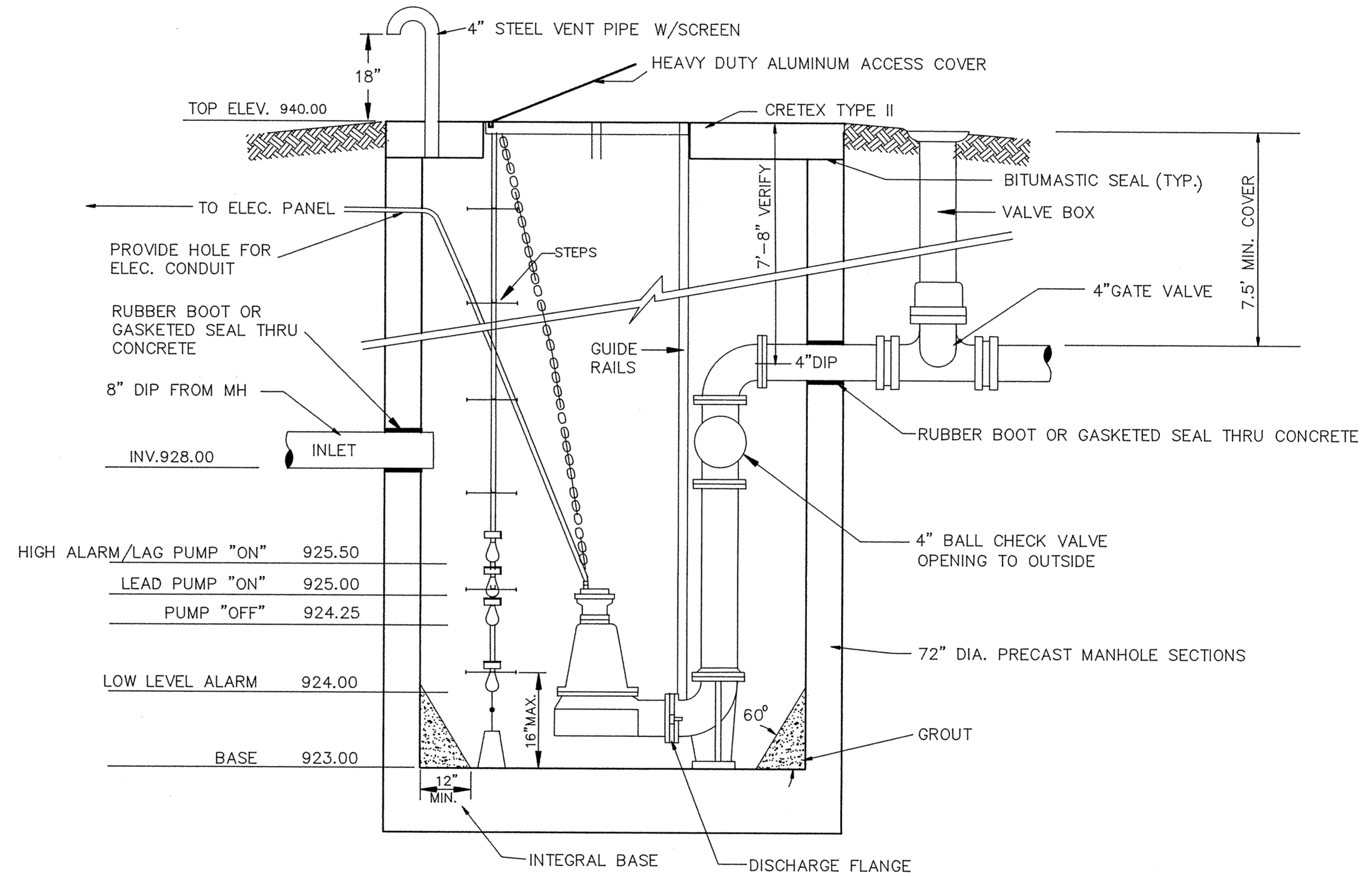


PLAN



SECTION

LIFT STATION DETAILS

RECORD PLAN
JUNE, 1993

CITY OF ELK RIVER
LIFT STATION DETAILS
HILLSIDE ESTATES

I HEREBY CERTIFY THAT THIS PLAN, SPECIFICATION, OR REPORT WAS PREPARED BY ME OR UNDER MY DIRECT SUPERVISION AND THAT I AM A DULY REGISTERED PROFESSIONAL ENGINEER UNDER THE LAWS OF THE STATE OF MINNESOTA.

Terry J. Maier
DATE 4/8/92 REG. NO. 15316

Maier Stewart & Associates Inc.
CONSULTING ENGINEERS
9800 SHELARD PARKWAY (612) 546-0432 MINNEAPOLIS, MINNESOTA 55441
1959 SLOAN PLACE (612) 774-6021 ST. PAUL, MINNESOTA 55117

DATE	DESCRIPTION	DESIGNED	CHECKED	DRAWN
				MRF

GRAPHIC SCALE
0 HORIZONTAL
0 VERT.

DATE JUNE 1992 SHEET 13 OF 19 SHEETS PROJECT NO. 230-140