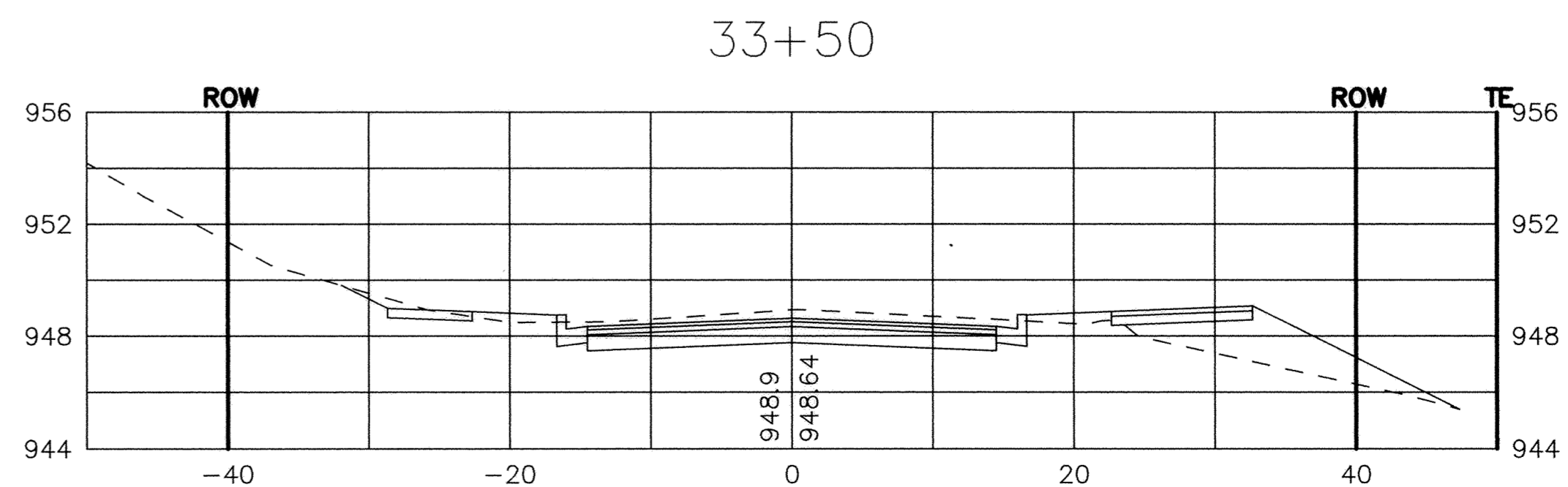
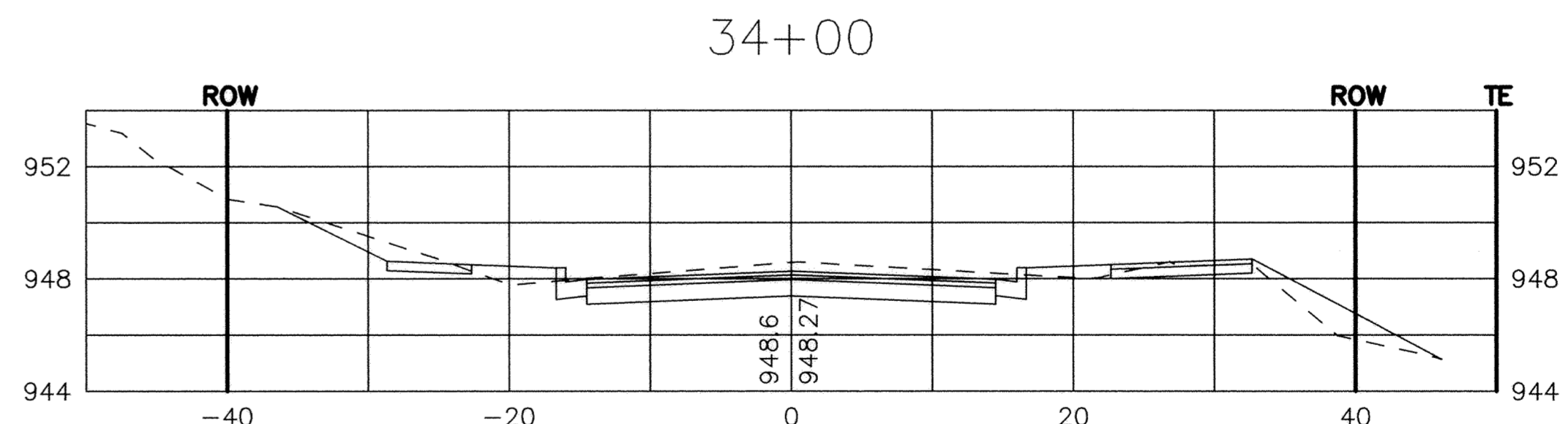
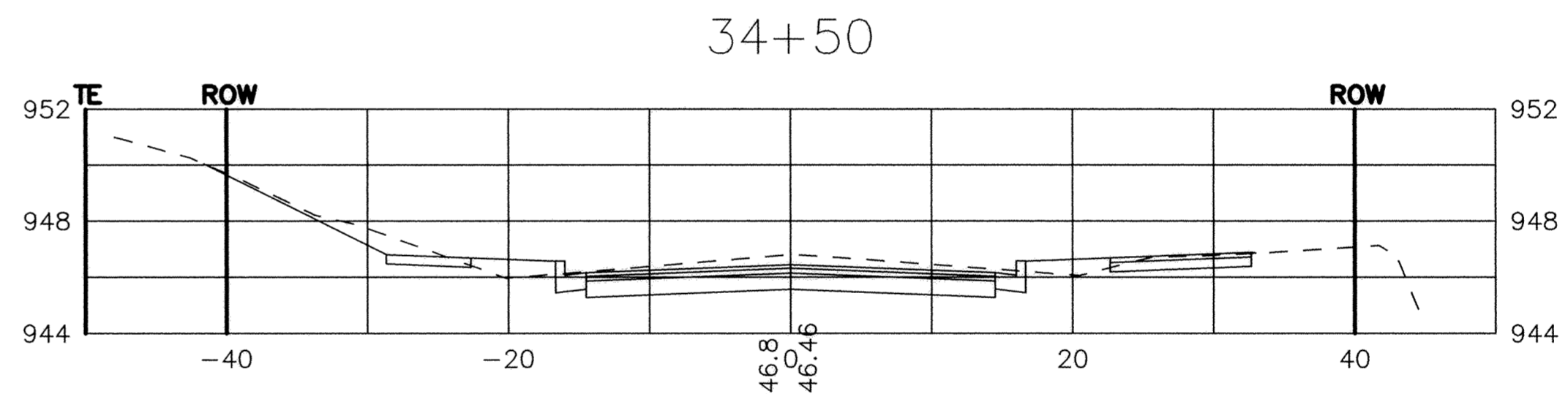
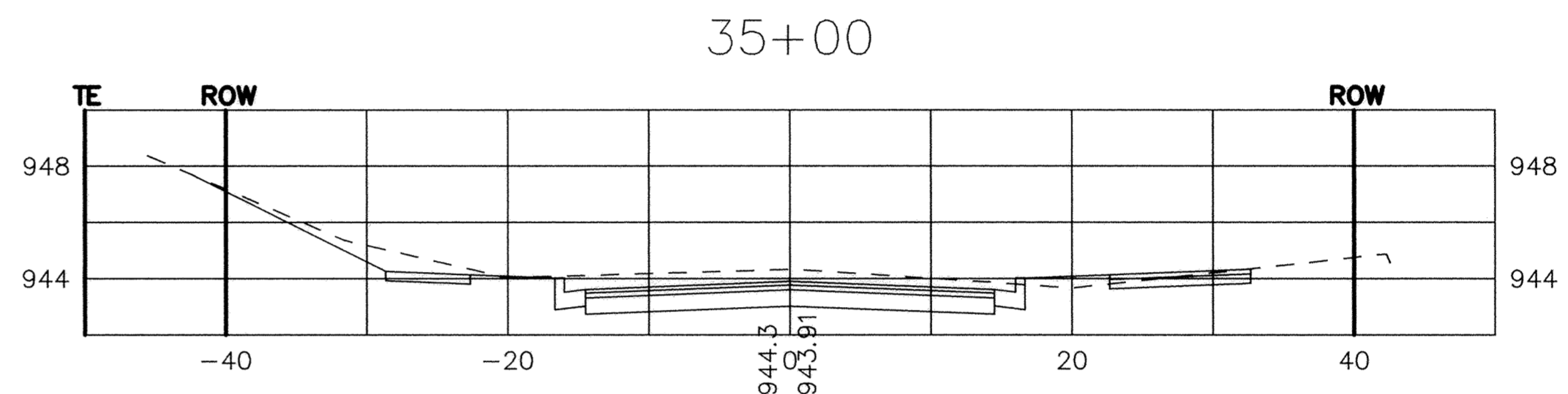
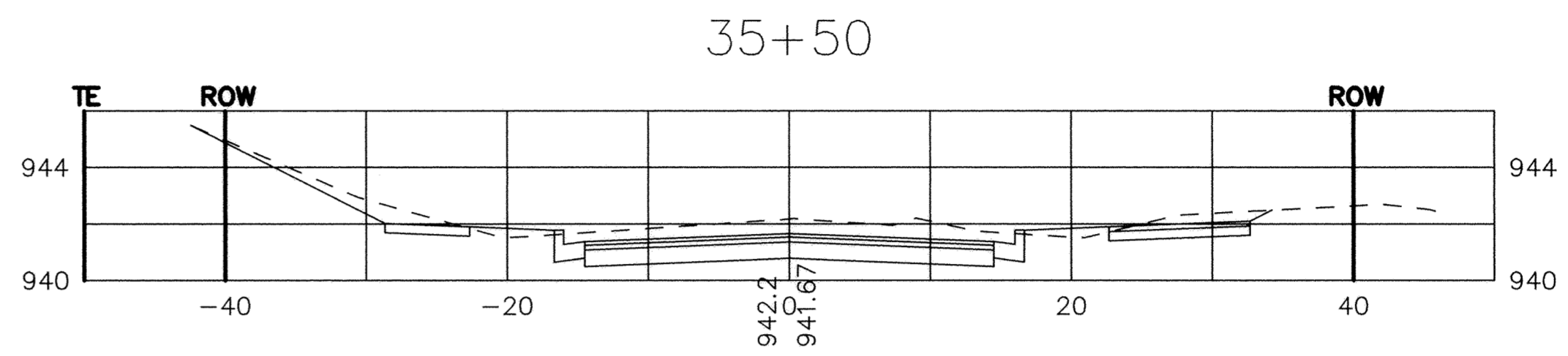
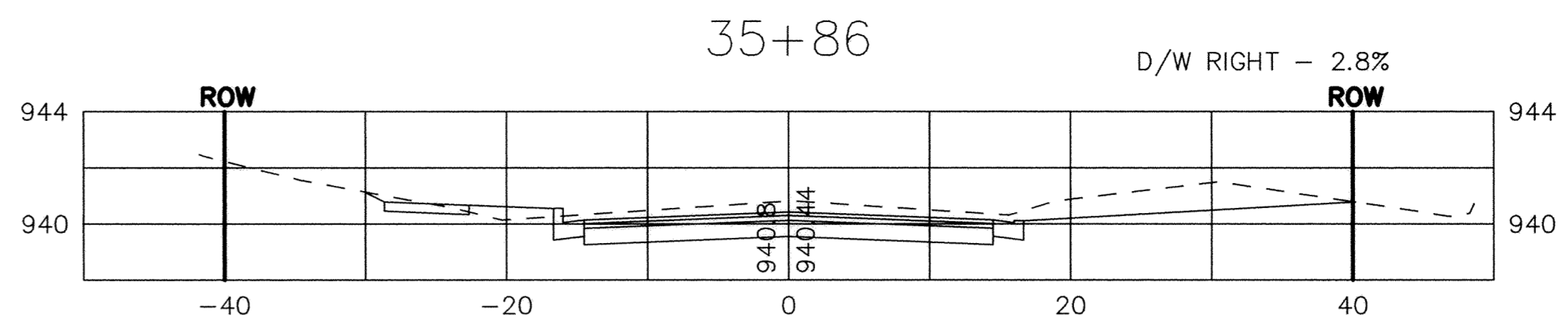
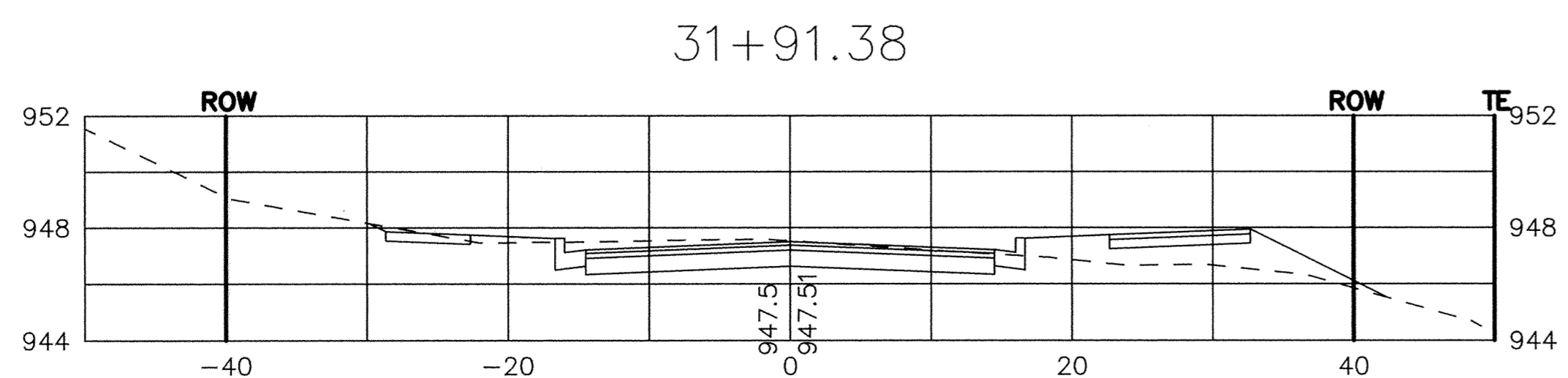
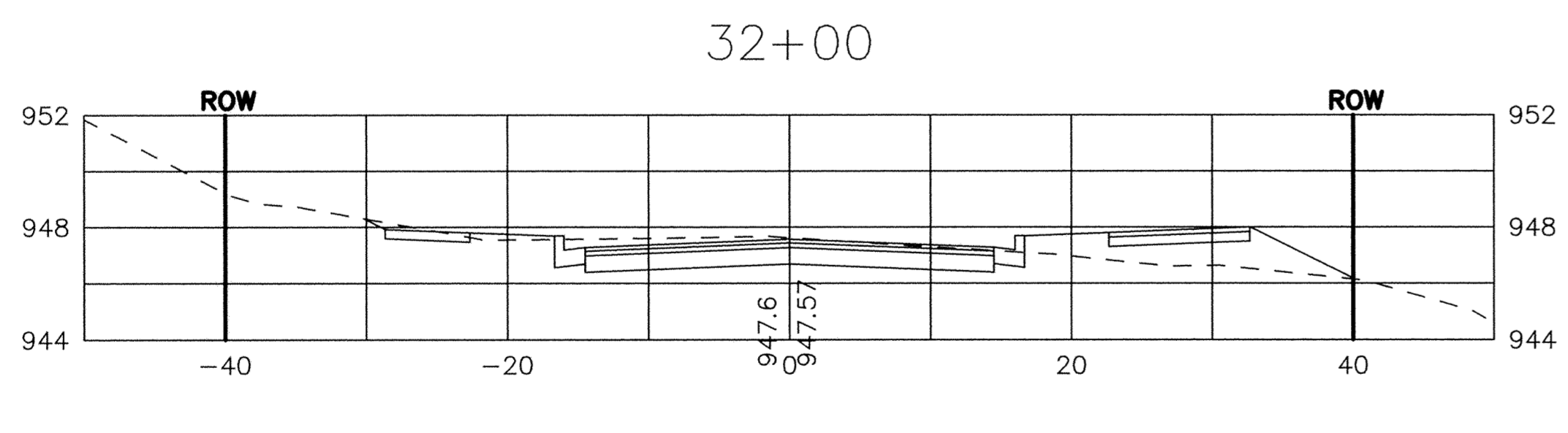
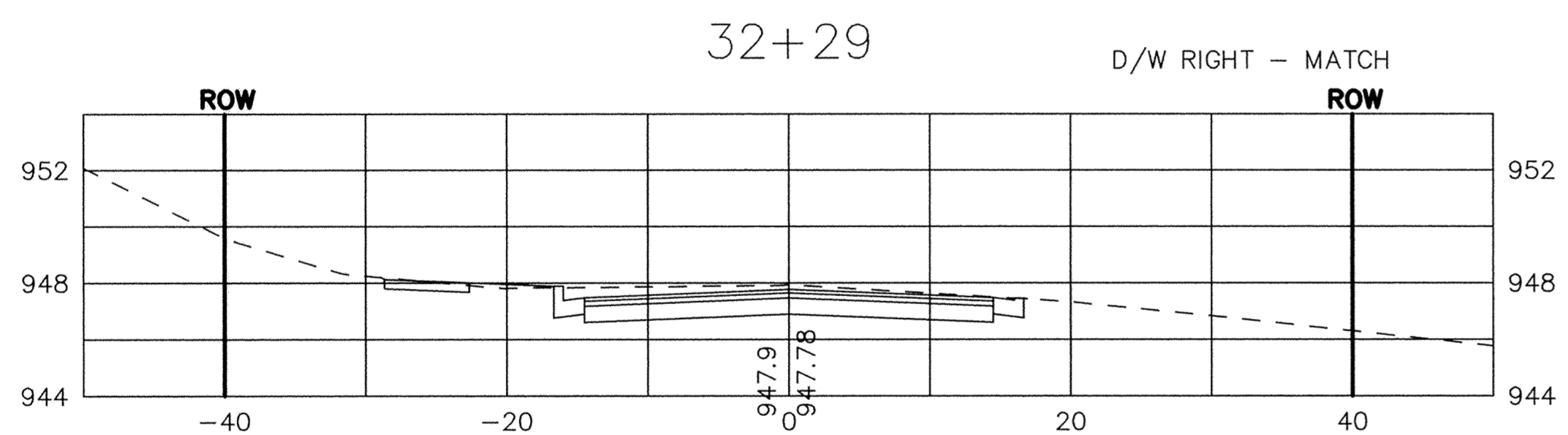
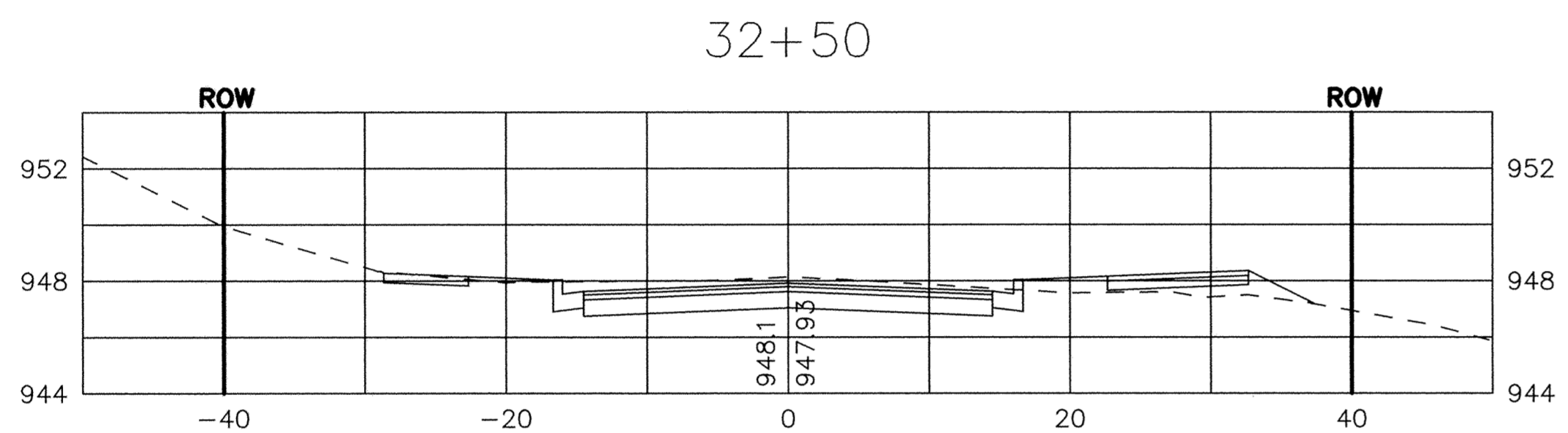
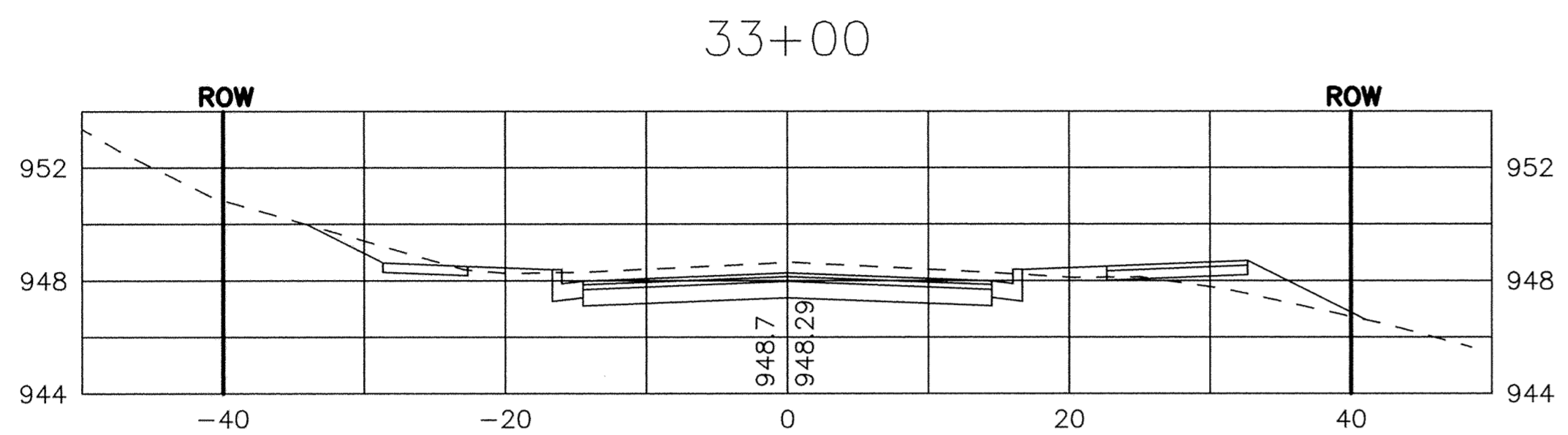


# HIGHLAND ROAD



NO.	DATE	BY	DESCRIPTION

I HEREBY CERTIFY THAT THIS PLAN, SPECIFICATION OR REPORT WAS PREPARED BY ME OR UNDER MY DIRECT SUPERVISION AND THAT I AM A DULY LICENSED PROFESSIONAL ENGINEER UNDER THE LAWS OF THE STATE OF MINNESOTA.

DATE: 05-02-2006 LIC. NO. 15316

**SAP 204-137-001**

**RECORD PLAN**

**HIGHLAND ROAD IMPROVEMENTS**

**CROSS SECTIONS**

**31+91 TO 35+86**

CONSULTING ENGINEERS, PLC  
Engineers and Surveyors  
4175 Lovell Road, Suite 112  
Lexington, MN 55014  
Phone: (763) 786-4570  
Fax: (763) 786-4574  
bdmce.com

DRAWN BY: NAB  
CHECKED BY: KJT  
DESIGNED BY: KJT  
JOB NO. 226068D

SHEET **45** SHEETS **55**