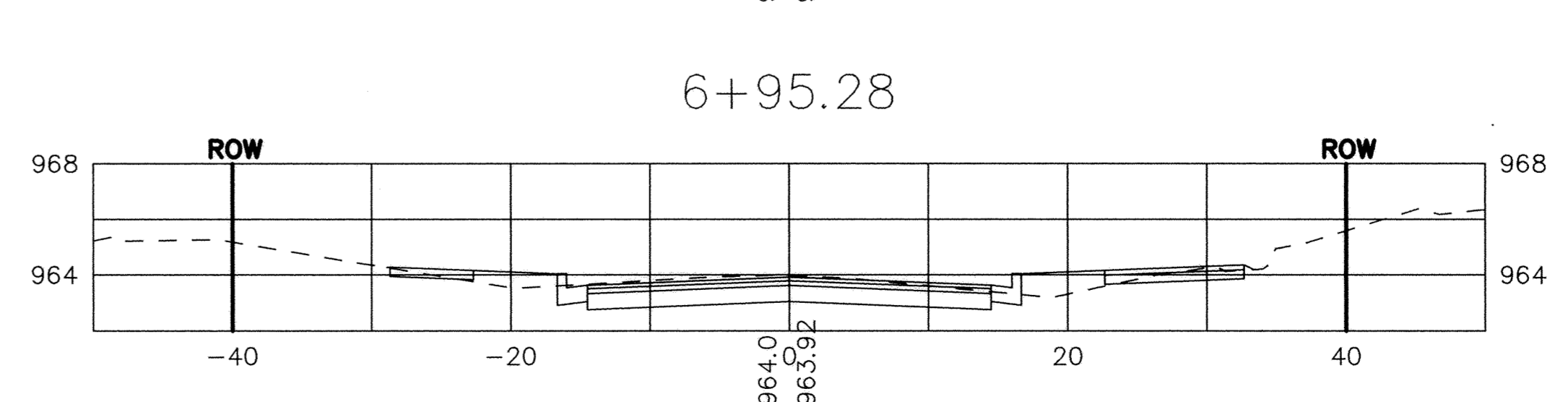
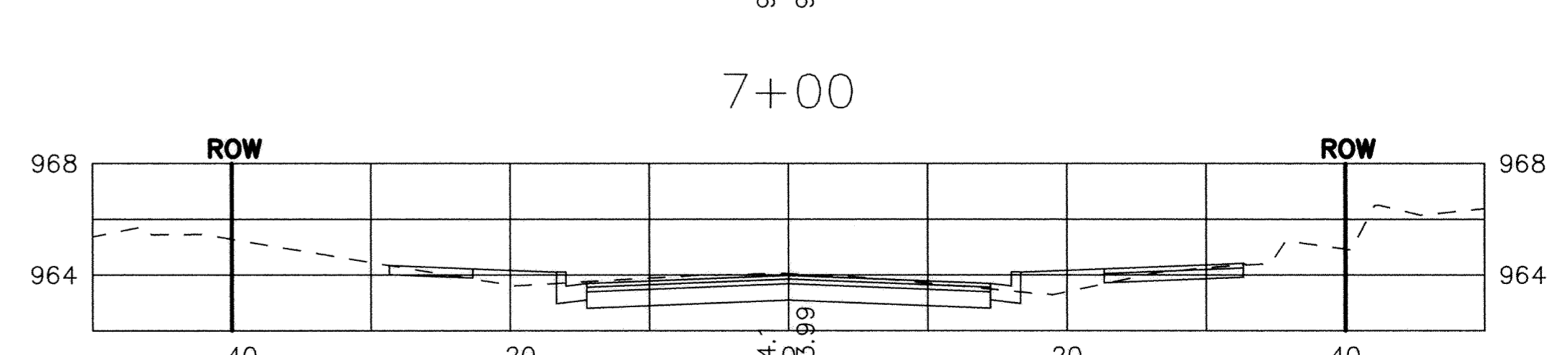
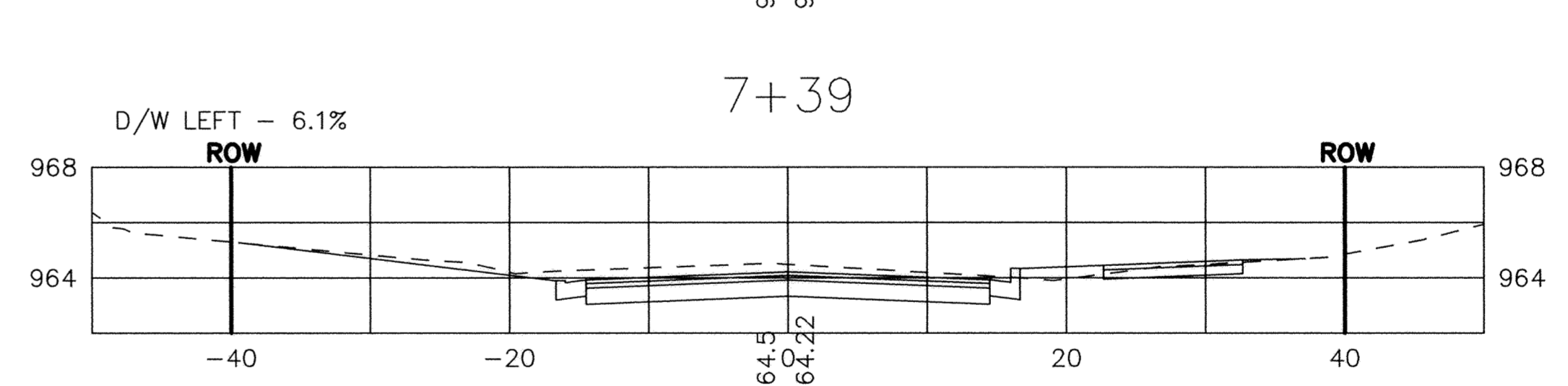
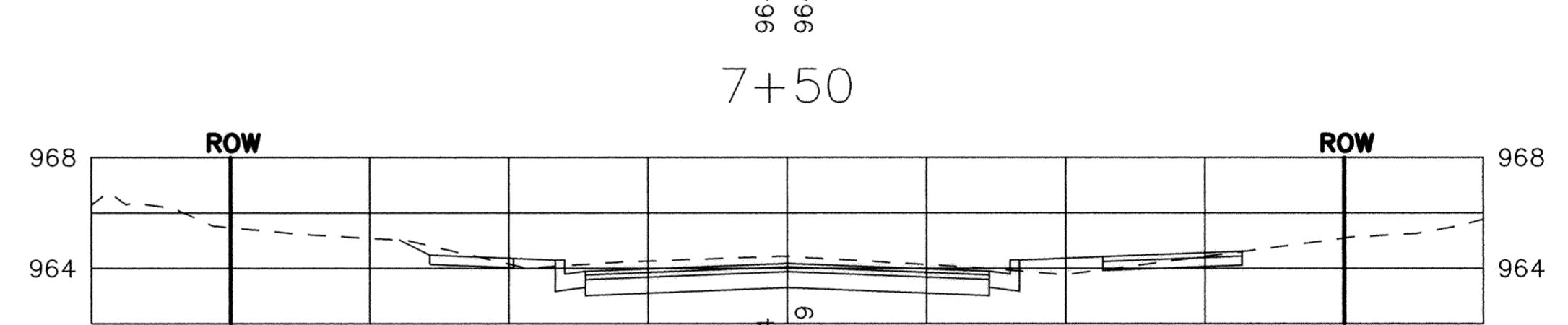
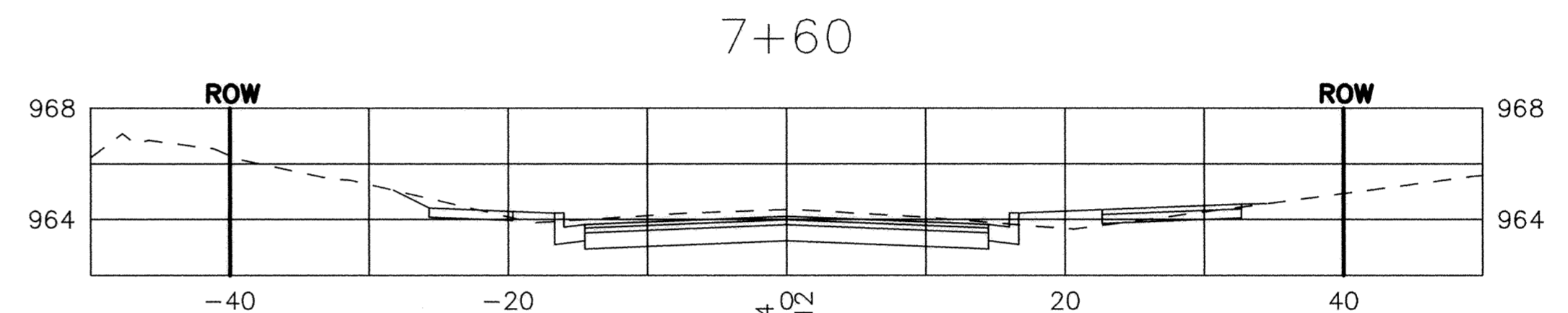
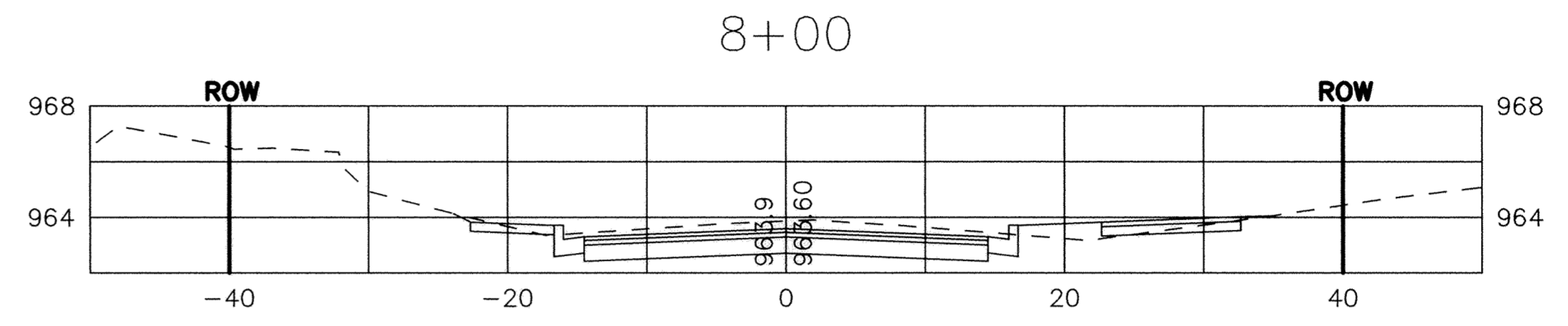
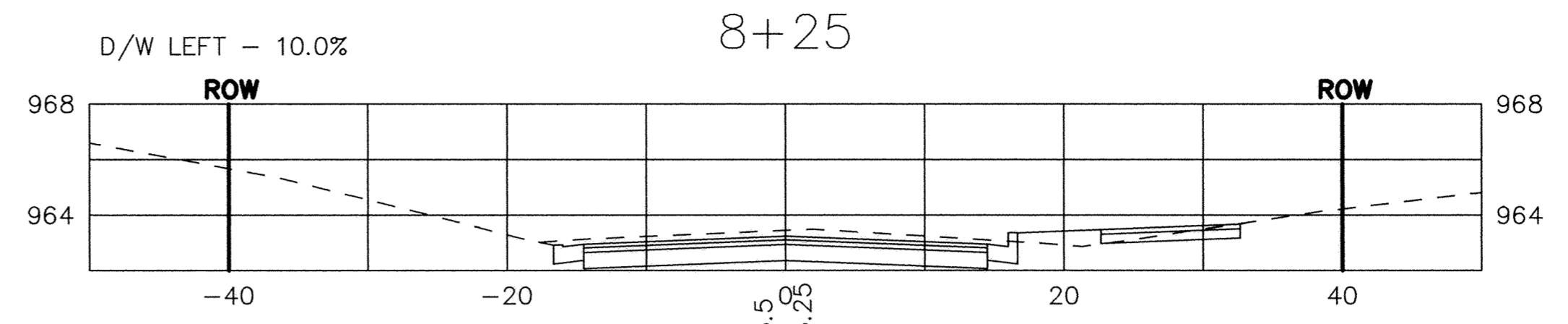
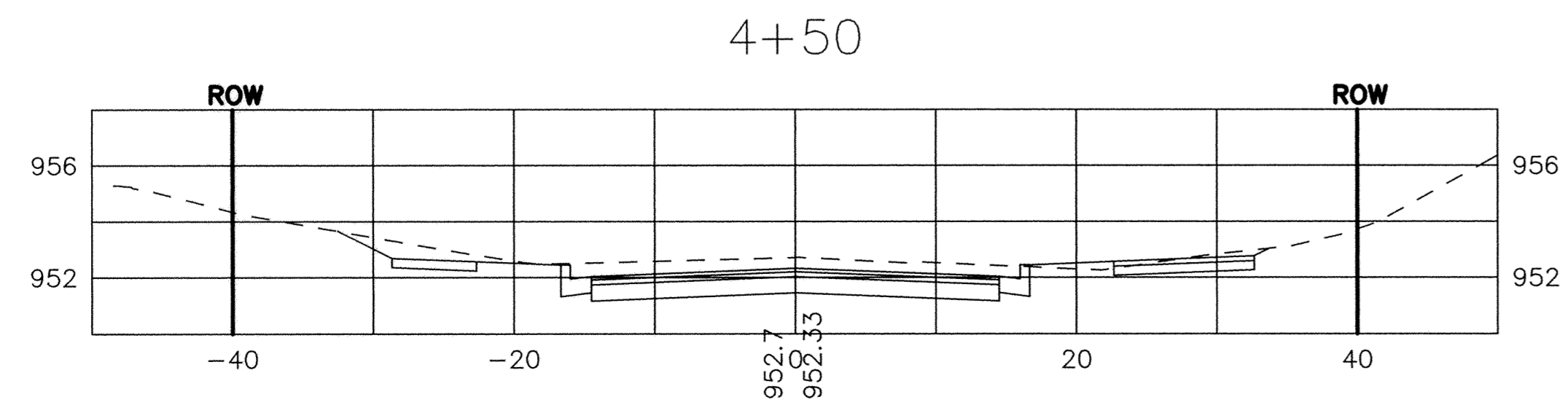
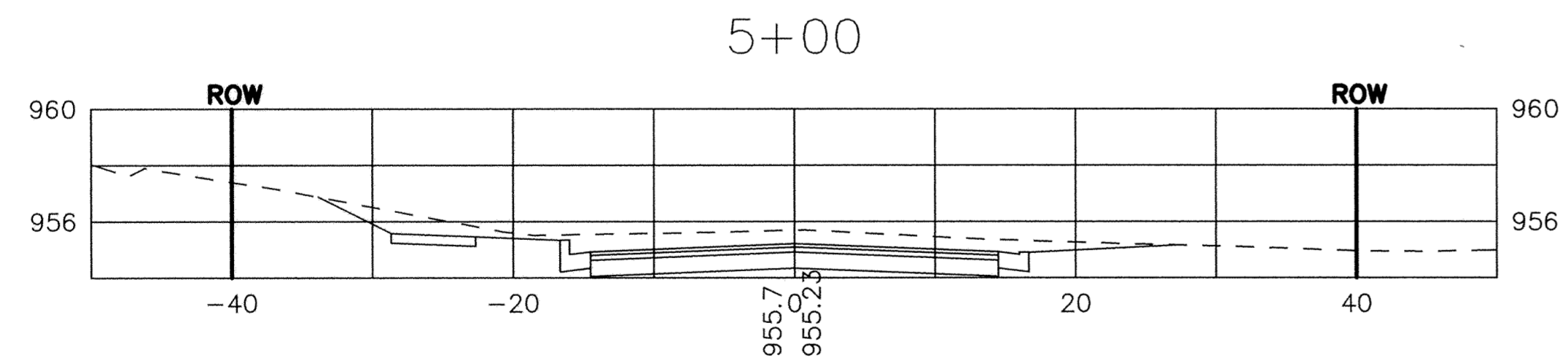
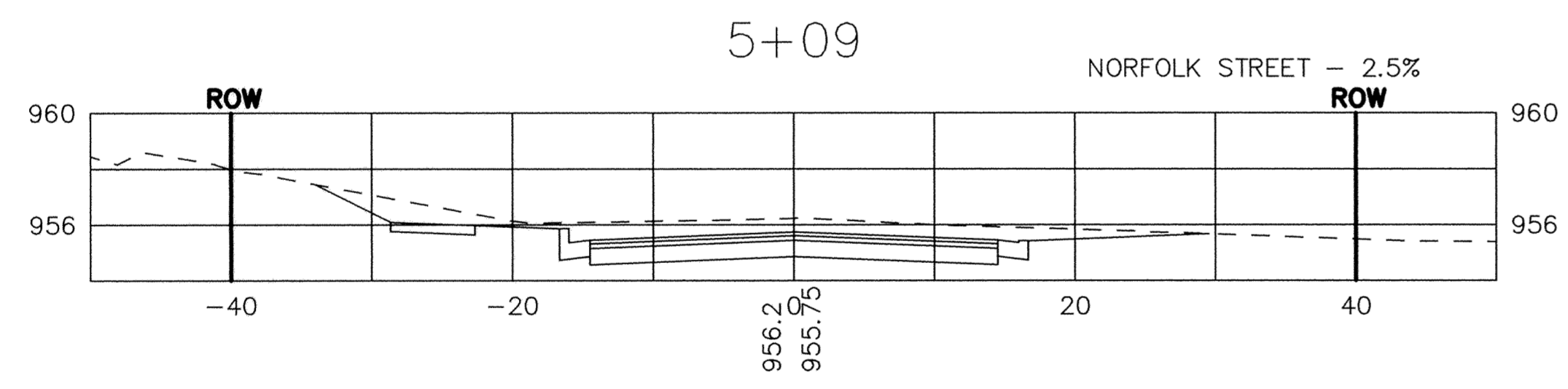
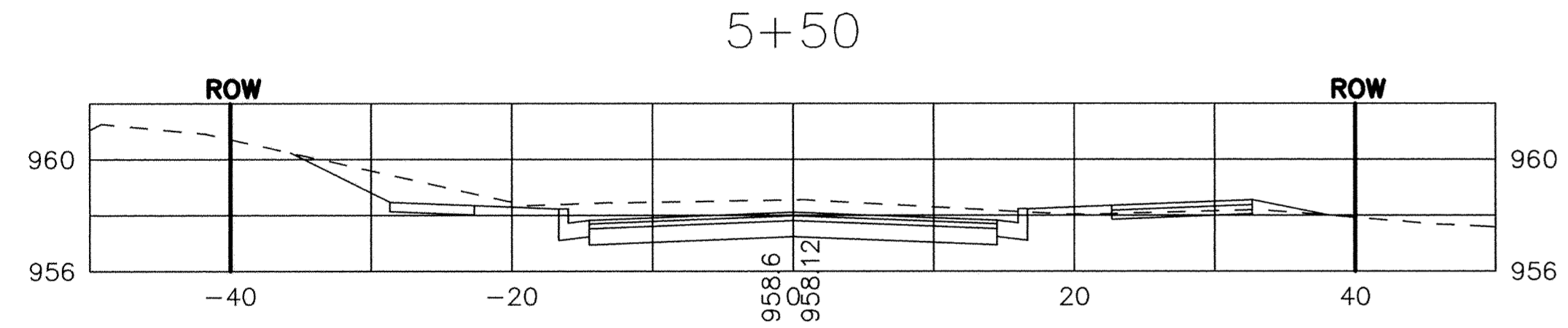
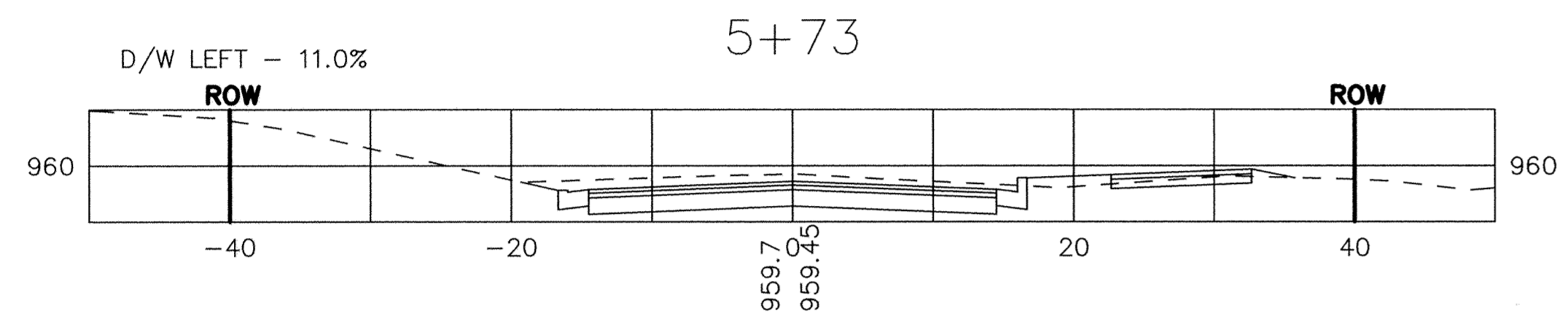
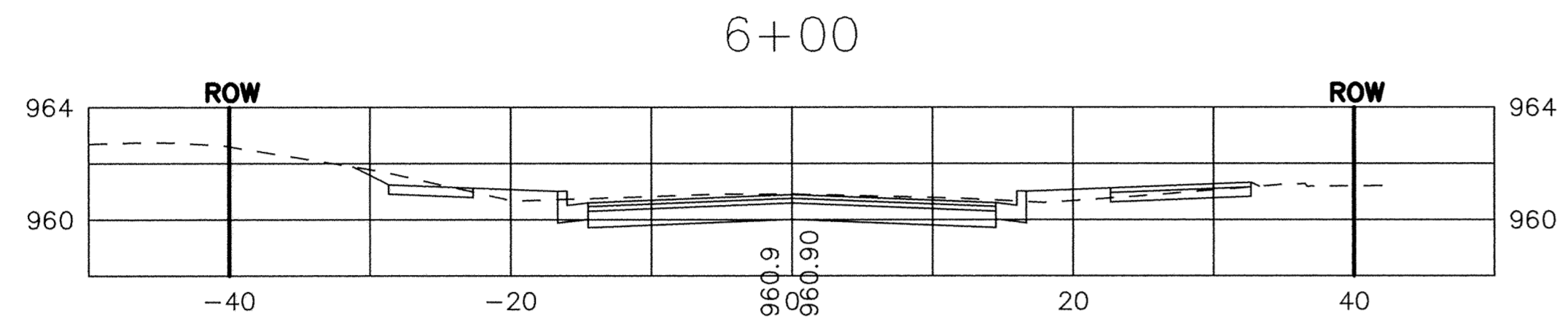
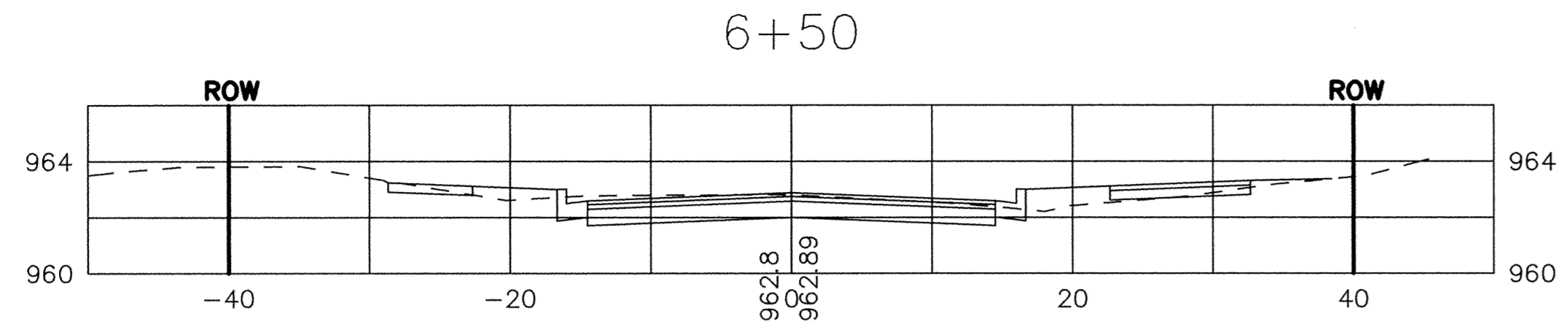


# HIGHLAND ROAD



REVISIONS	
NO.	DESCRIPTION

I HEREBY CERTIFY THAT THIS PLAN, SPECIFICATION, OR REPORT WAS PREPARED BY ME OR UNDER MY DIRECT SUPERVISION AND THAT I AM A DULY LICENSED PROFESSIONAL ENGINEER UNDER THE LAWS OF THE STATE OF MINNESOTA.

DATE: 05-02-2006 LIC. NO.: 15316

SAP 204-137-001

## RECORD PLAN HIGHLAND ROAD IMPROVEMENTS

4+50 TO 8+25

## CROSS SECTIONS

**BDM**  
CONSULTING ENGINEERS, PLC  
Engineers and Surveyors  
4175 Lovell Road, Suite 112  
Lexington, MN 55014  
Phone: (763) 786-4570  
Fax: (763) 786-4574  
bdmce.com

DRAWN BY: NAB  
CHECKED BY: KJT  
DESIGNED BY: KJT  
JOB NO. 226068D

SHEET **39** SHEETS **55**