

NO.	DATE	BY	DESCRIPTION

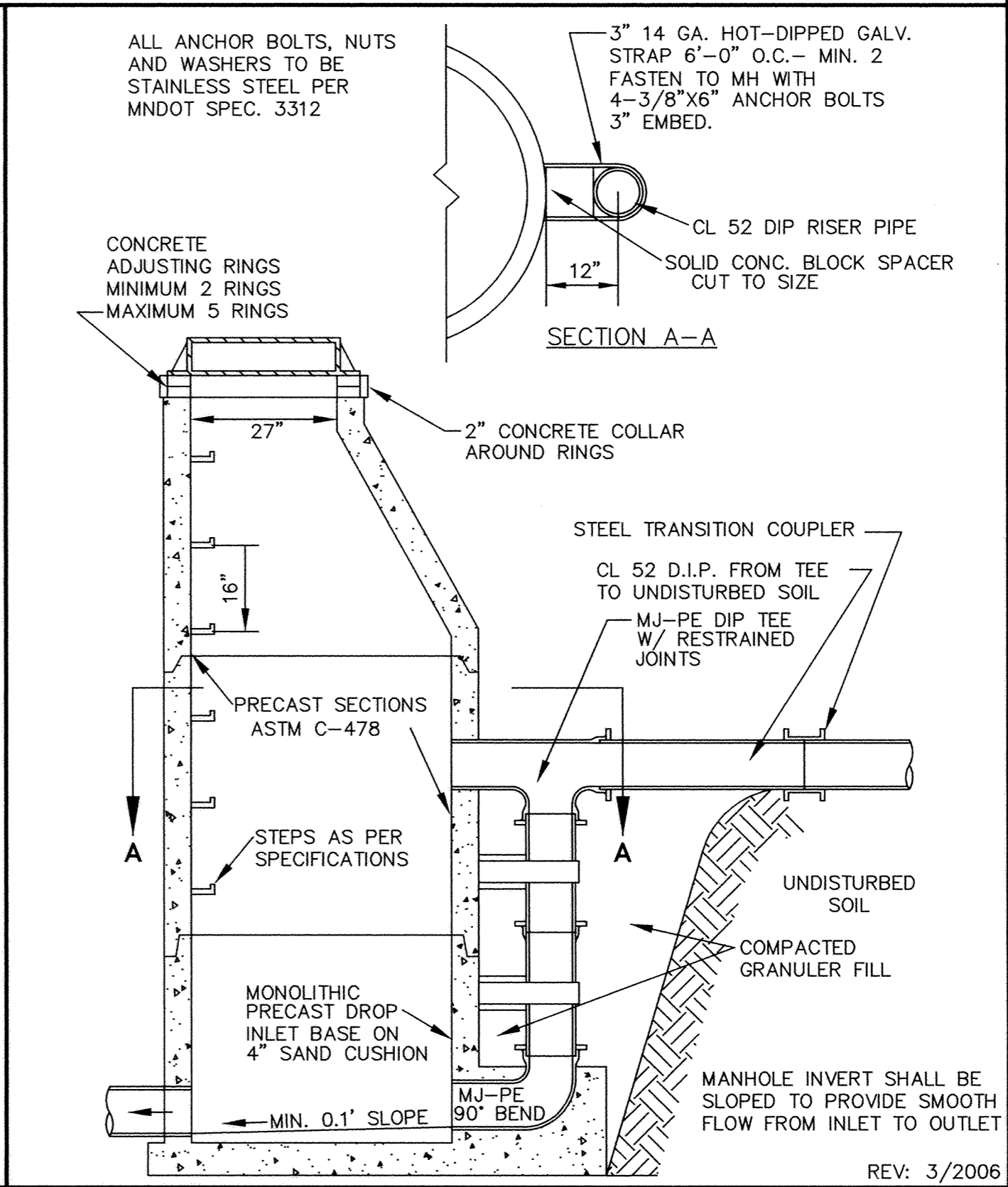
I HEREBY CERTIFY THAT THIS PLAN, SPECIFICATION, OR REPORT WAS PREPARED BY ME OR UNDER MY DIRECT SUPERVISION AND THAT I AM A LICENSED PROFESSIONAL ENGINEER UNDER THE LAWS OF THE STATE OF MINNESOTA.

NAME: \_\_\_\_\_ LIC. NO.: 15316  
DATE: 05-02-06

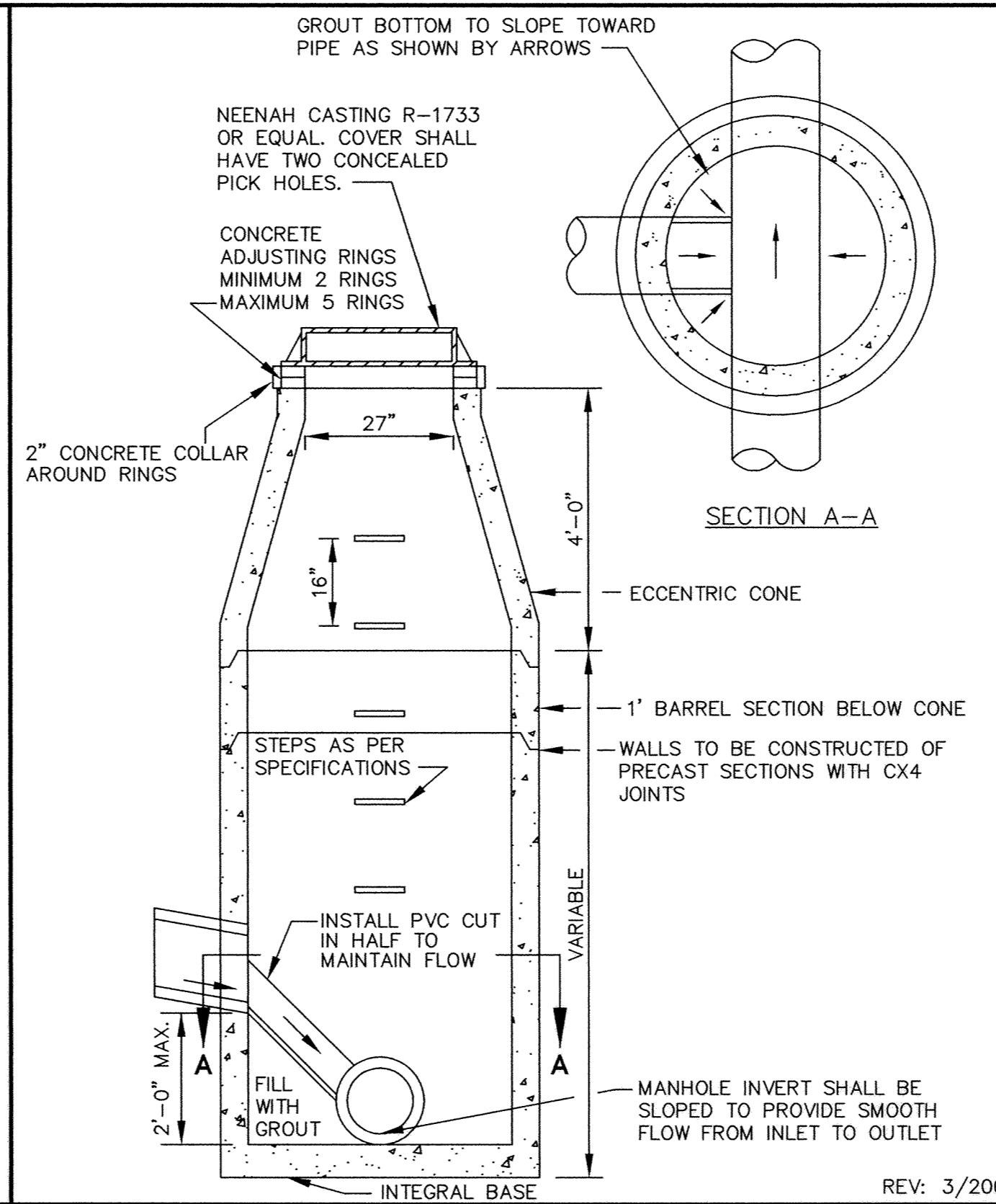
RECORD PLAN  
HIGHLAND ROAD IMPROVEMENTS  
SANITARY SEWER DETAILS

**BDM**  
CONSULTING ENGINEERS, PLC  
Engineers and Surveyors  
4175 Lovell Road, Suite 112  
Lexington, MN 55014  
Phone: (763) 786-4570  
Fax: (763) 786-4574  
bdmce.com

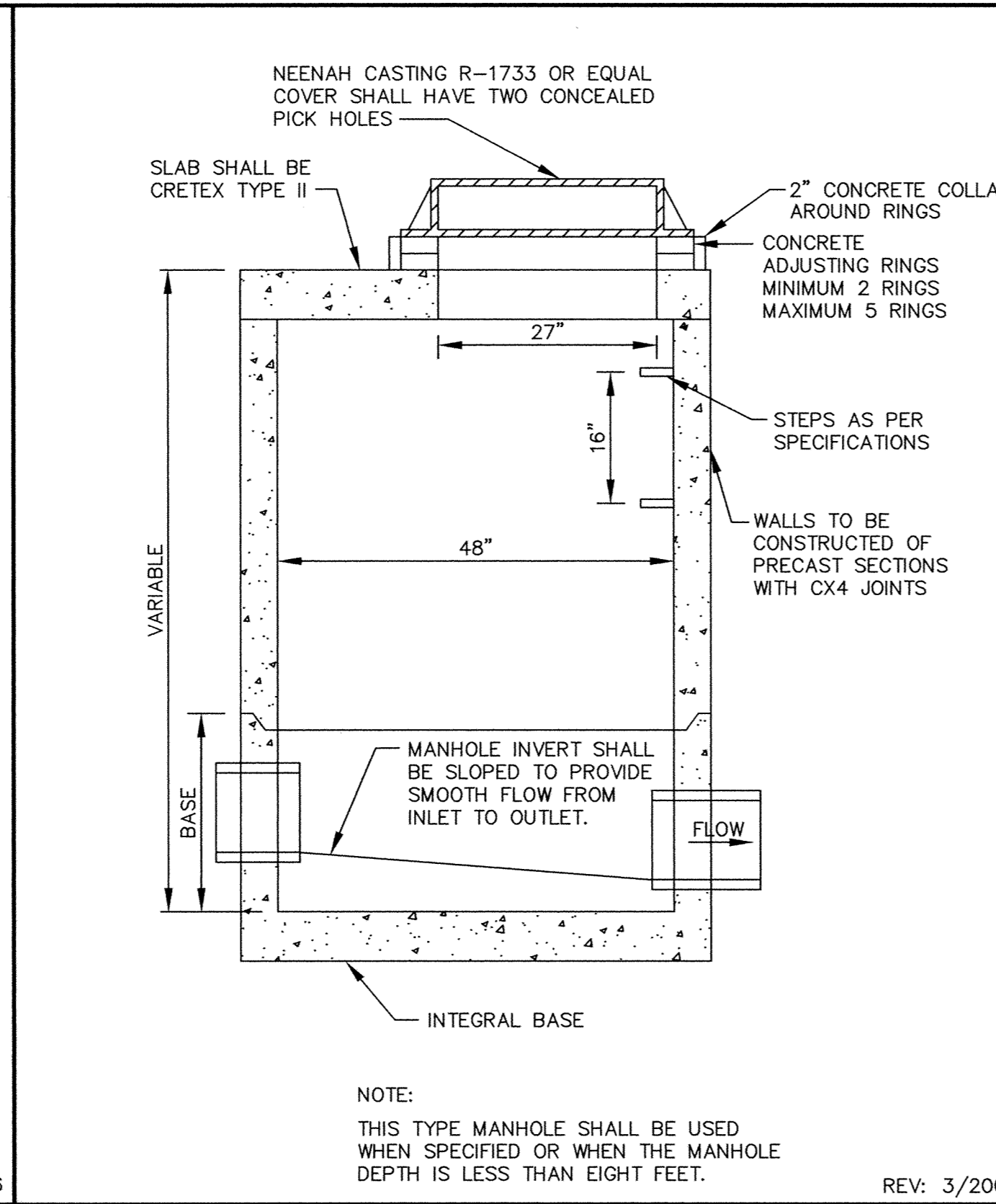
DRAWN BY: NAB	
CHECKED BY: KJT	
DESIGNED BY: KJT	
JOB NO. 226068D	
SHEET 10	SHEETS 55



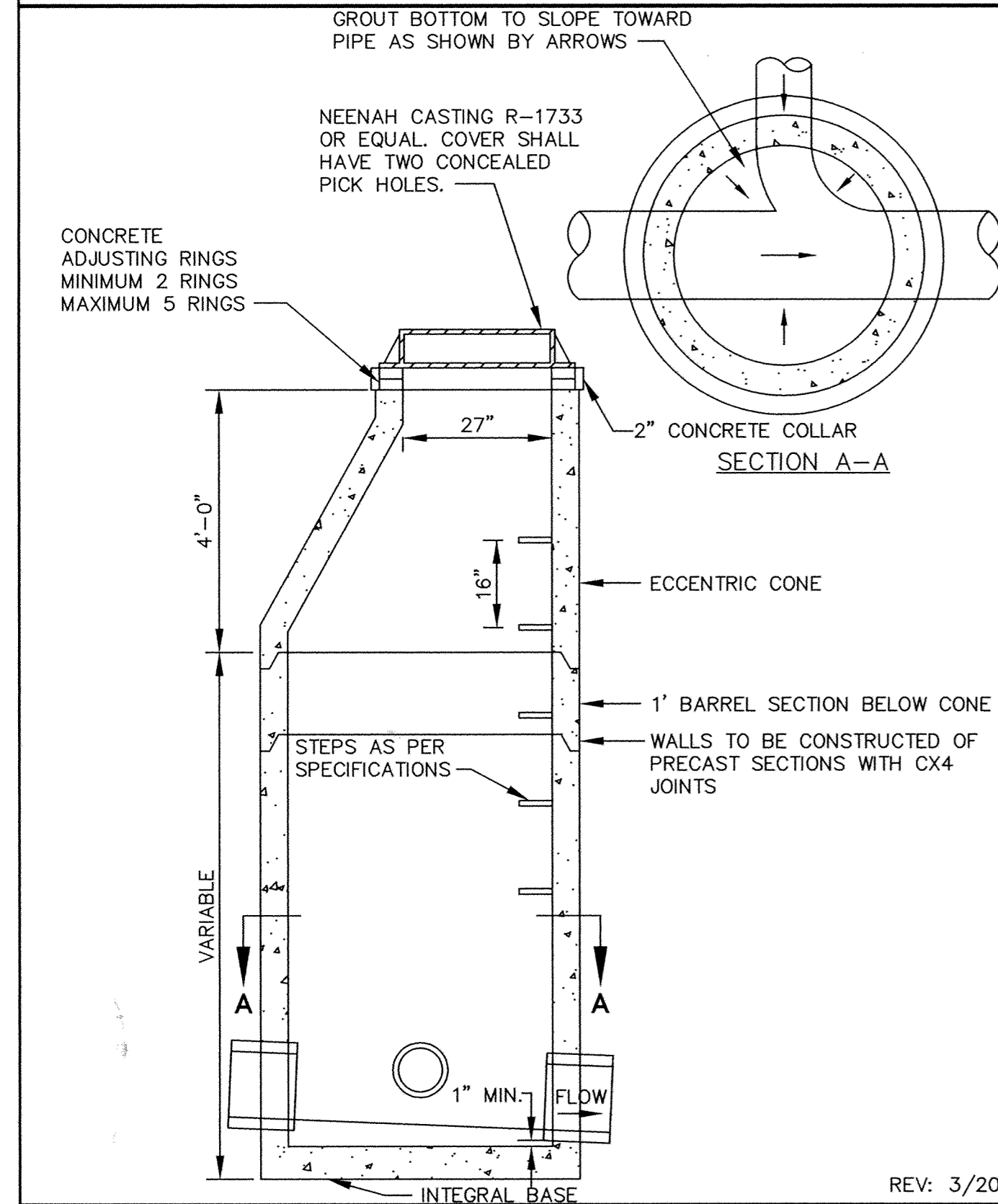
OUTSIDE DROP MANHOLE  
STANDARD PLATE NO. 4004



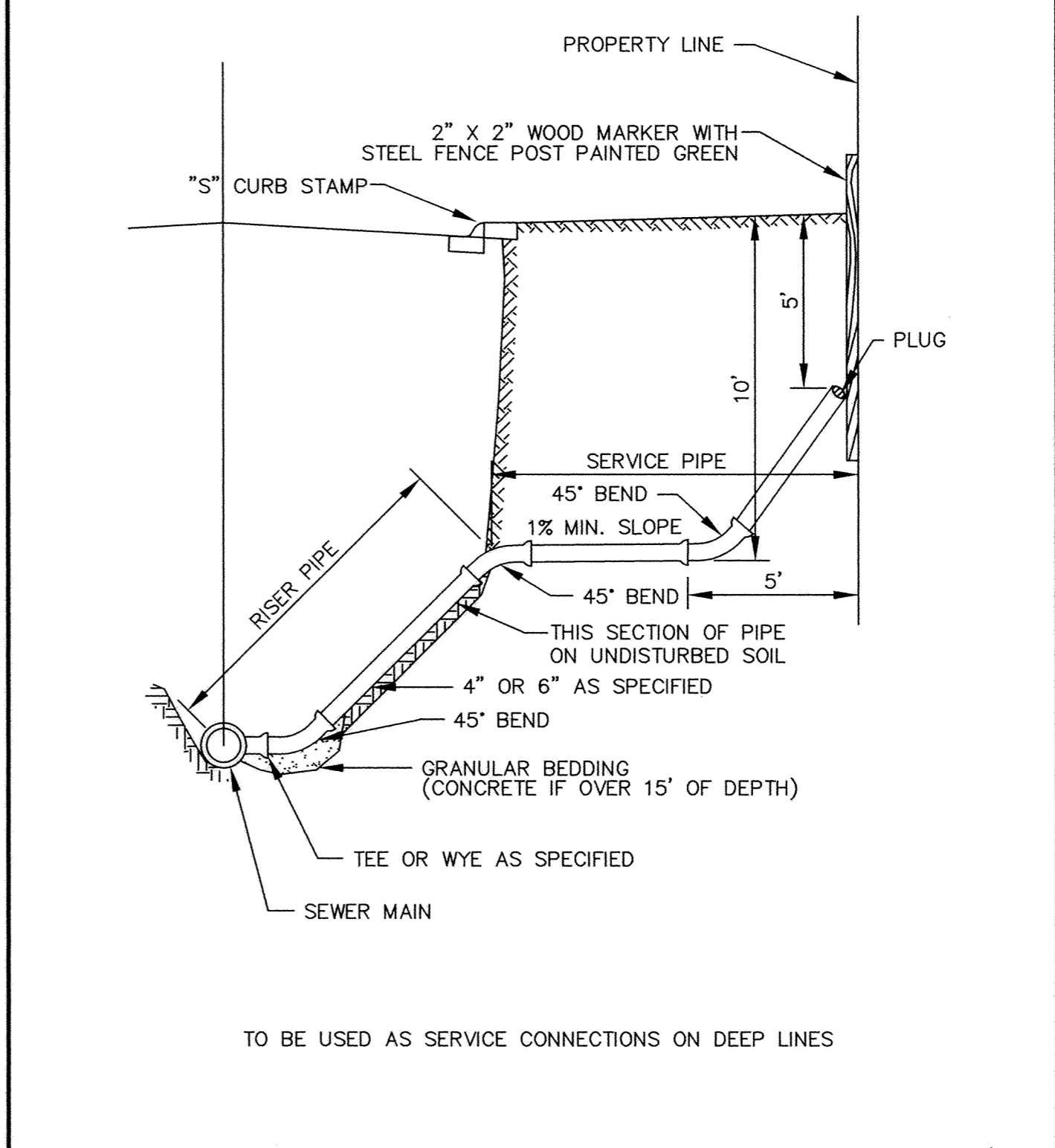
INSIDE DROP MANHOLE (TWO FEET OR LESS)  
STANDARD PLATE NO. 4002



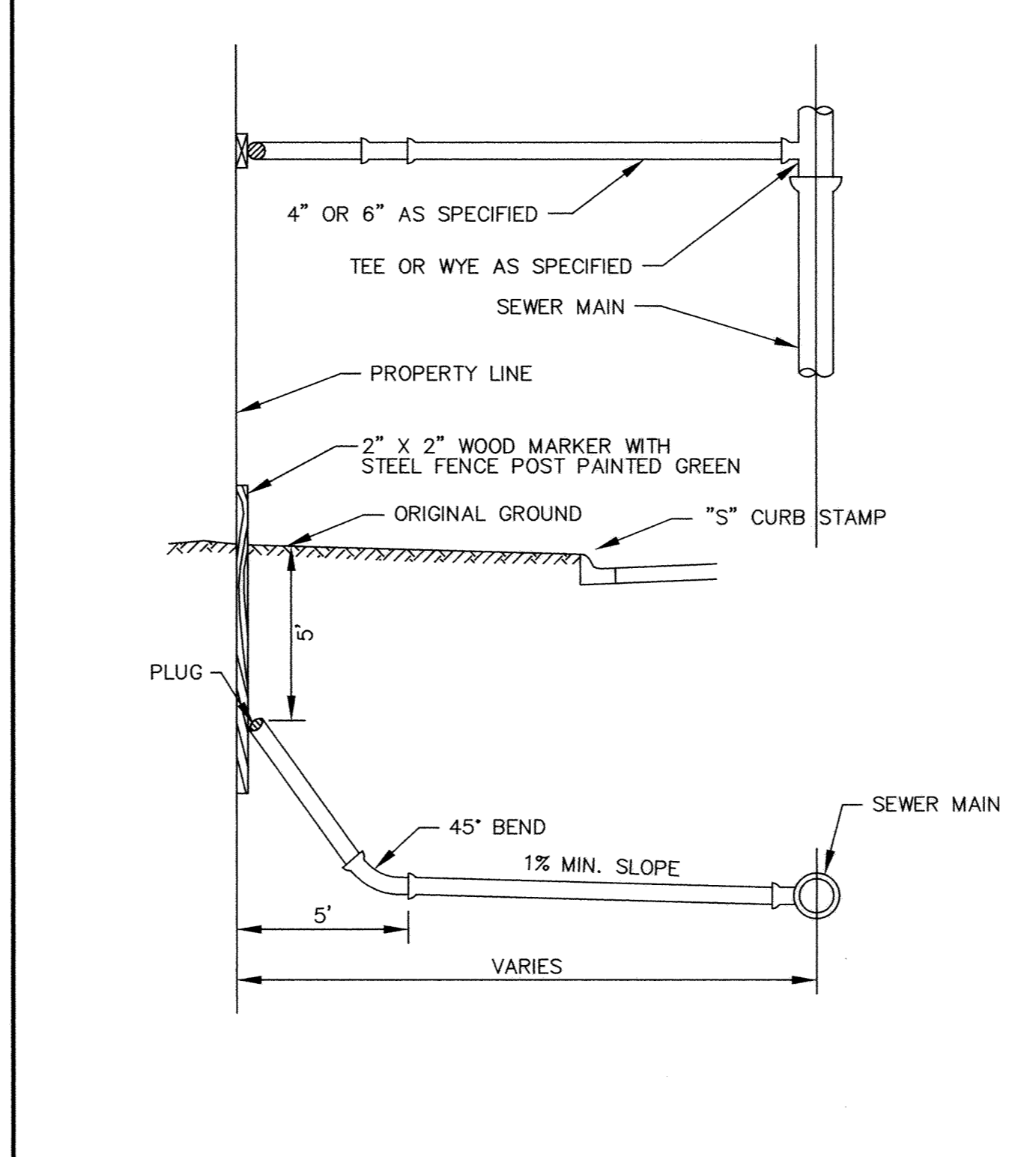
SLAB TOP MANHOLE  
STANDARD PLATE NO. 4001



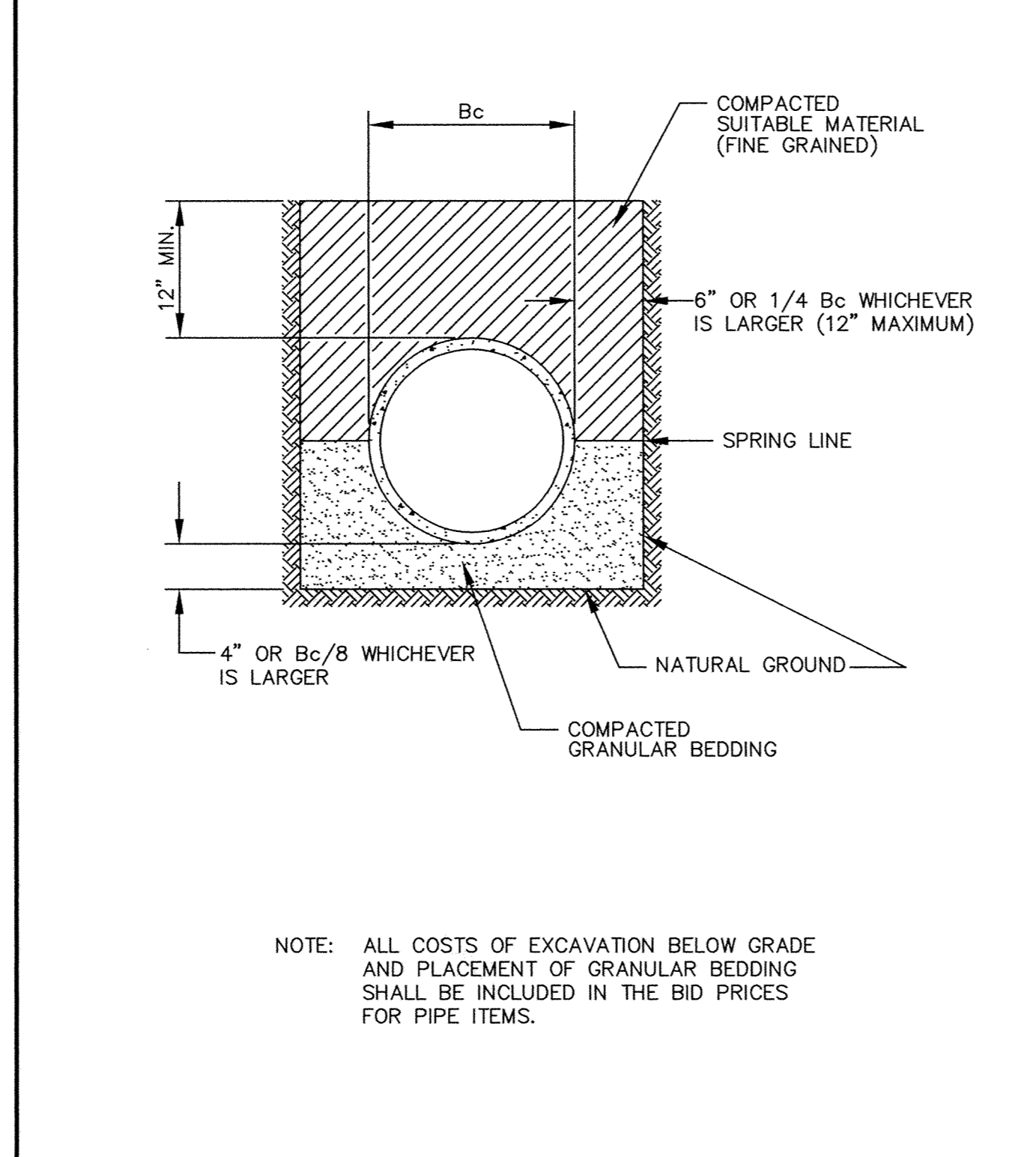
STANDARD MANHOLE  
STANDARD PLATE NO. 4000



SERVICE RISER SECTION  
STANDARD PLATE NO. 4008



TYPICAL HOUSE SERVICE  
STANDARD PLATE NO. 4007



CLASS B PIPE BEDDING  
STANDARD PLATE NO. 4006

SAFCO PRODUCTS • NEW HOPE, MINNESOTA  
REPRODUCED BY PART NUMBER 6532