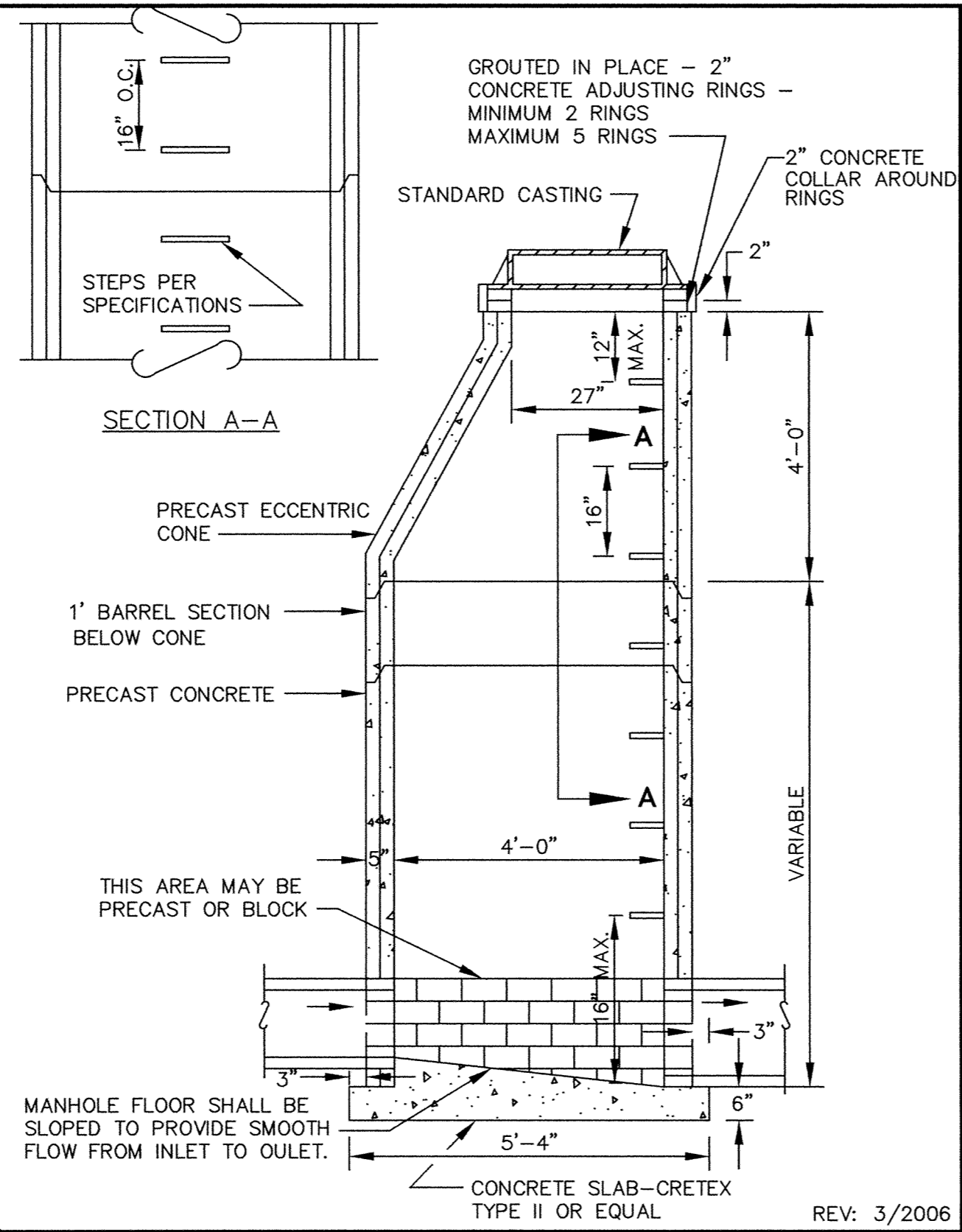
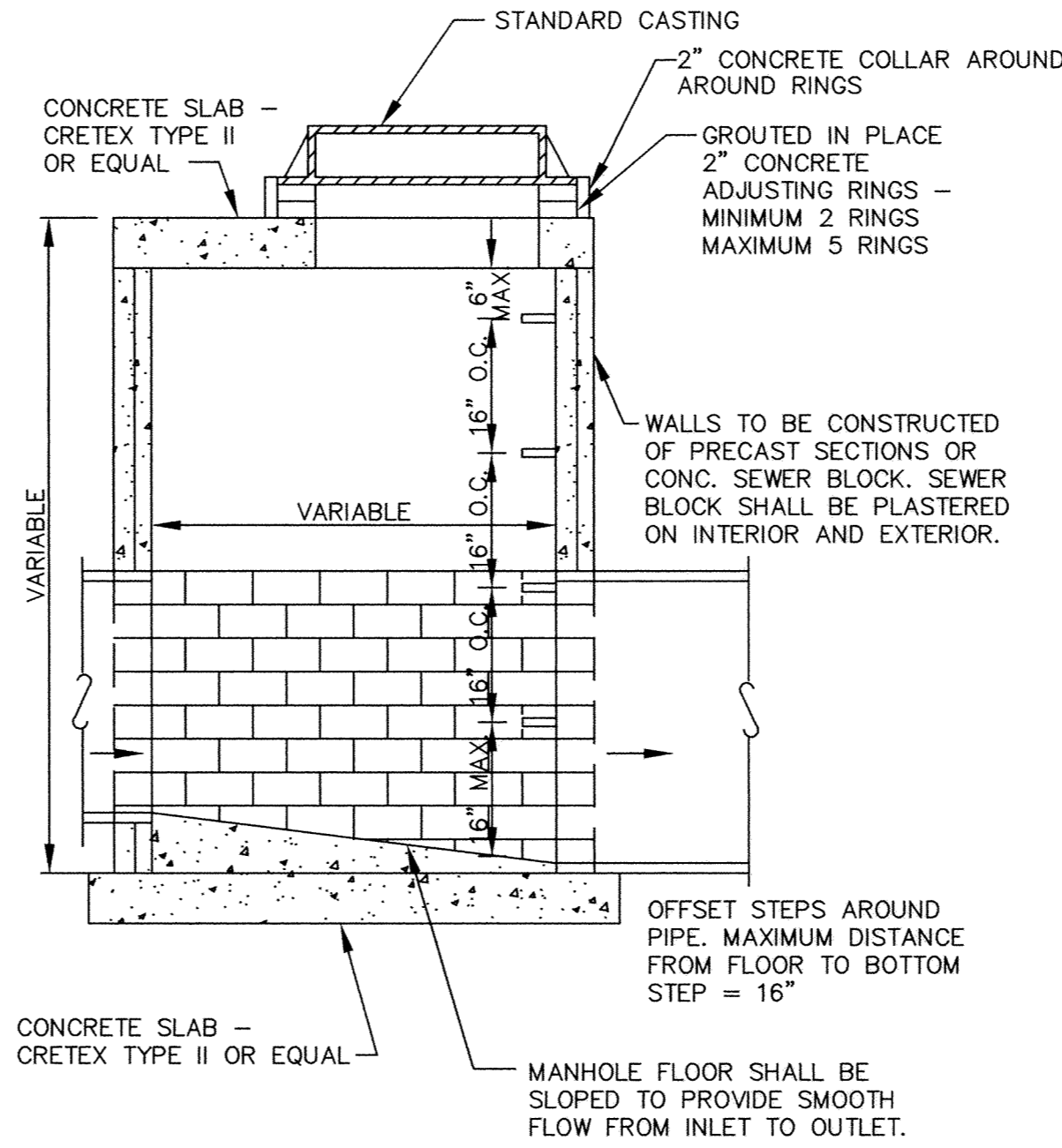


NOTE:  
REINFORCING SHALL CONSIST OF A SINGLE LINE OF STEEL WIRE FABRIC HAVING AN AREA OF NOT LESS THAN 0.17 SQ. IN. PER FOOT OF HEIGHT.

REV: 3/2006

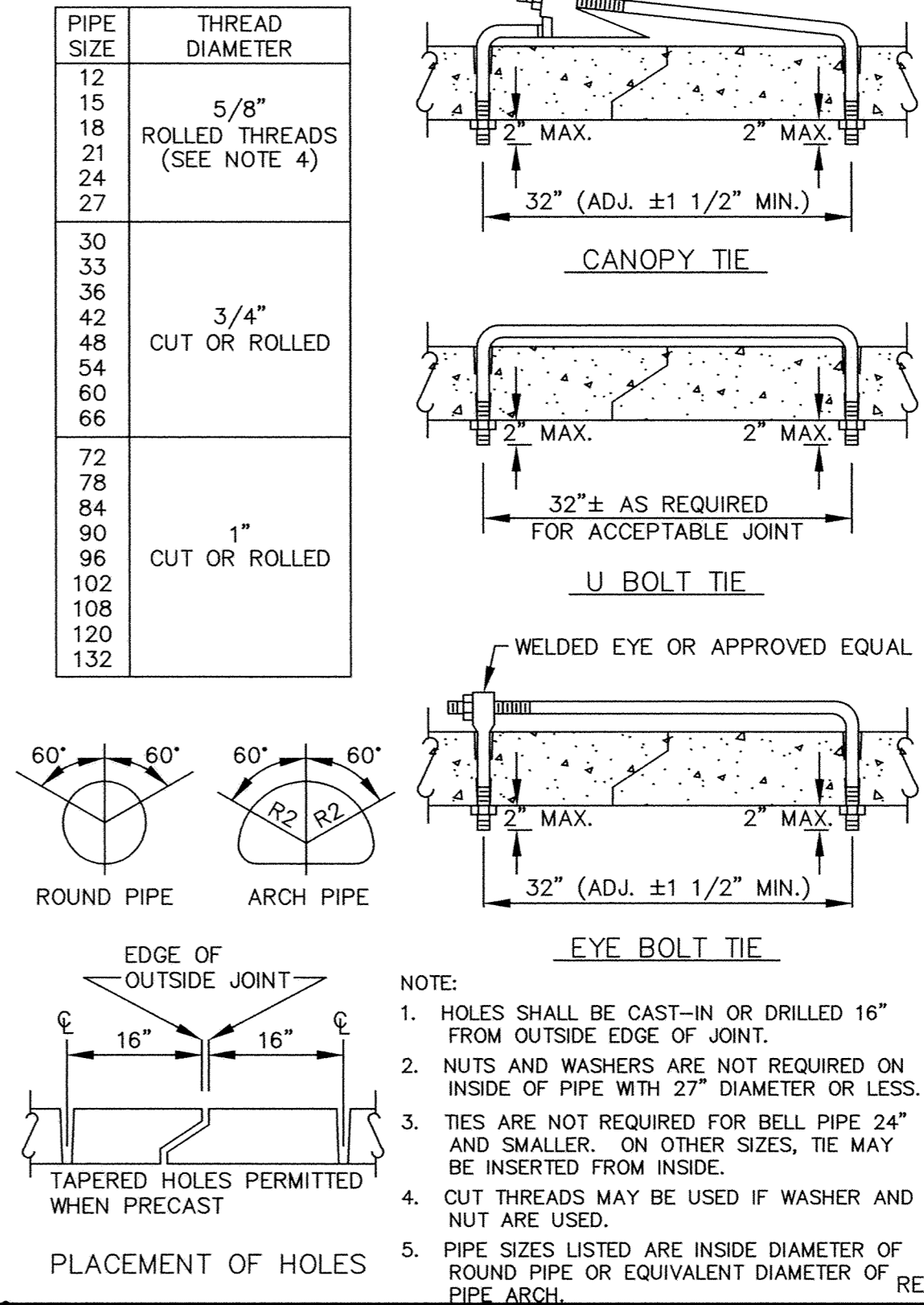


REV: 3/2006



NOTE:  
THIS TYPE MANHOLE SHALL BE USED WHEN SPECIFIED OR WHEN THE MANHOLE DEPTH IS LESS THAN EIGHT FEET.

REV: 3/2006



REV: 3/2006

**City of Elk River**

**SHALLOW CATCH BASIN**

STANDARD PLATE NO. **2500**

**City of Elk River**

**STANDARD MANHOLE**

STANDARD PLATE NO. **2501**

**City of Elk River**

**SLAB TOP MANHOLE**

STANDARD PLATE NO. **2502**

**City of Elk River**

**CONCRETE PIPE JOINT TIES**

STANDARD PLATE NO. **2503**

SAP 204-187-001

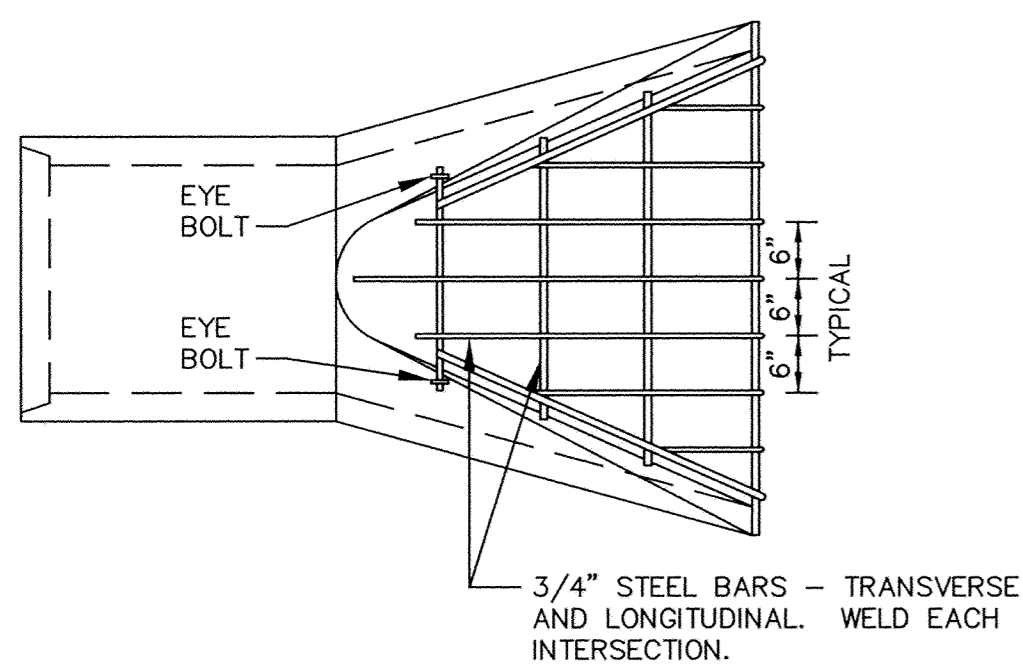
RECORD PLAN  
HIGHLAND ROAD IMPROVEMENTS

STORM SEWER DETAILS

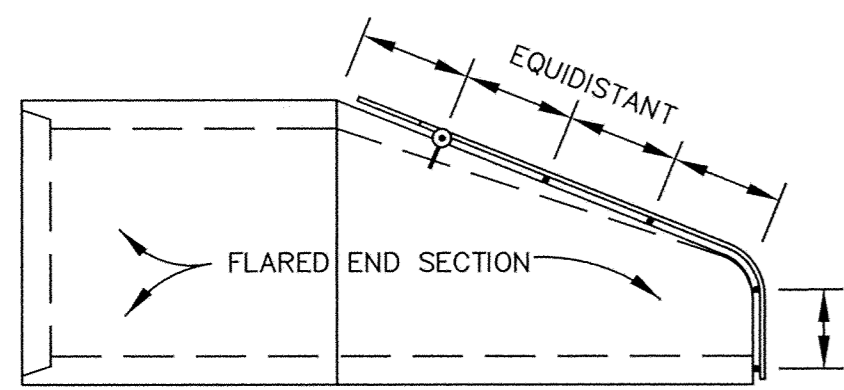
**BDM**  
CONSULTING ENGINEERS, PLC  
Engineers and Surveyors  
4175 Lovell Road, Suite 112  
Lexington, MN 55014  
Phone: (763) 786-4570  
Fax: (763) 786-4574  
bdmce.com

DRAWN BY: NAB  
CHECKED BY: KJT  
DESIGNED BY: KJT  
JOB NO. 226068D

SHEET **8** SHEETS **55**



PLAN



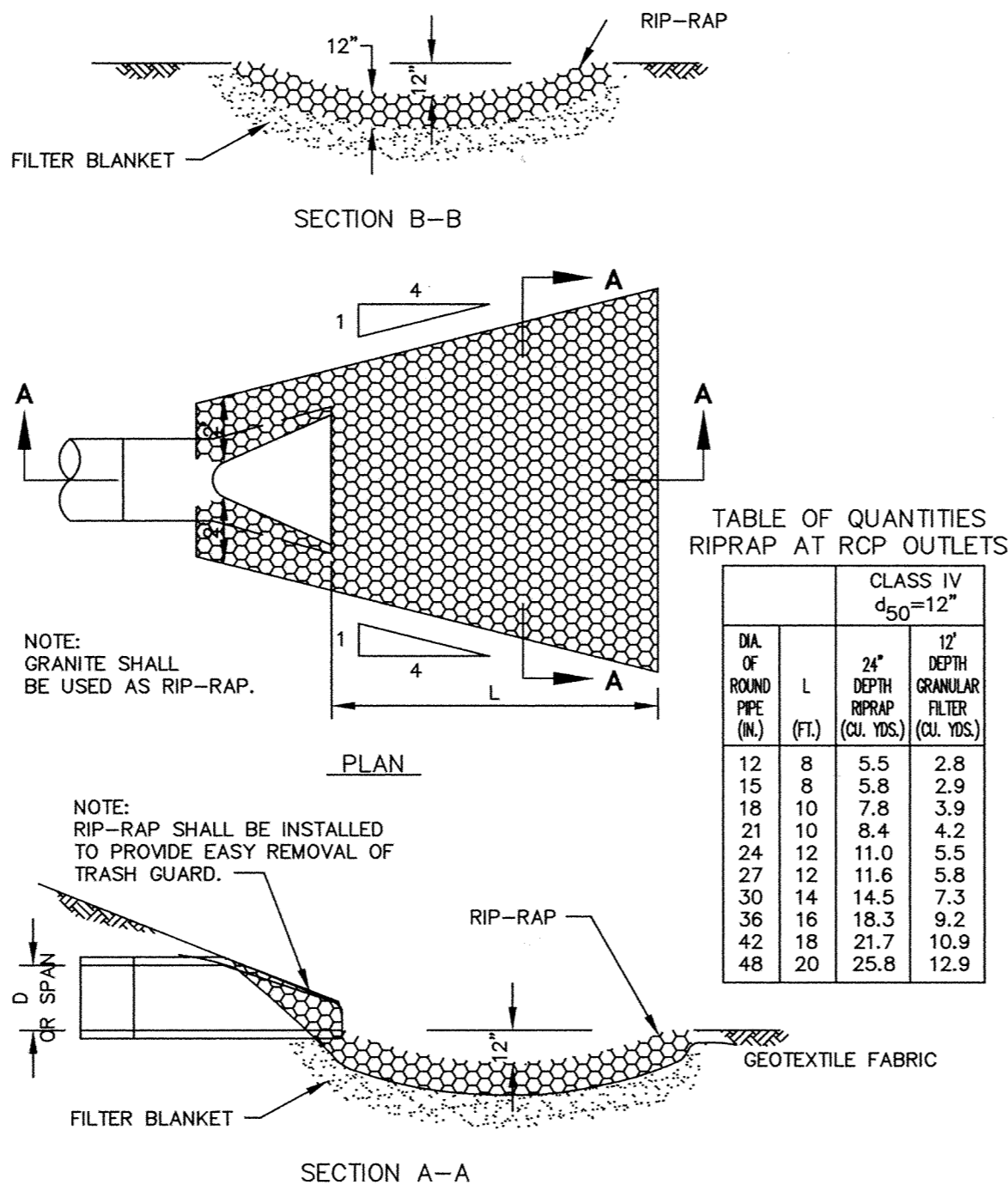
ELEVATION

REV: 3/2006

**City of Elk River**

**TRASH GUARD**

STANDARD PLATE NO. **2504**



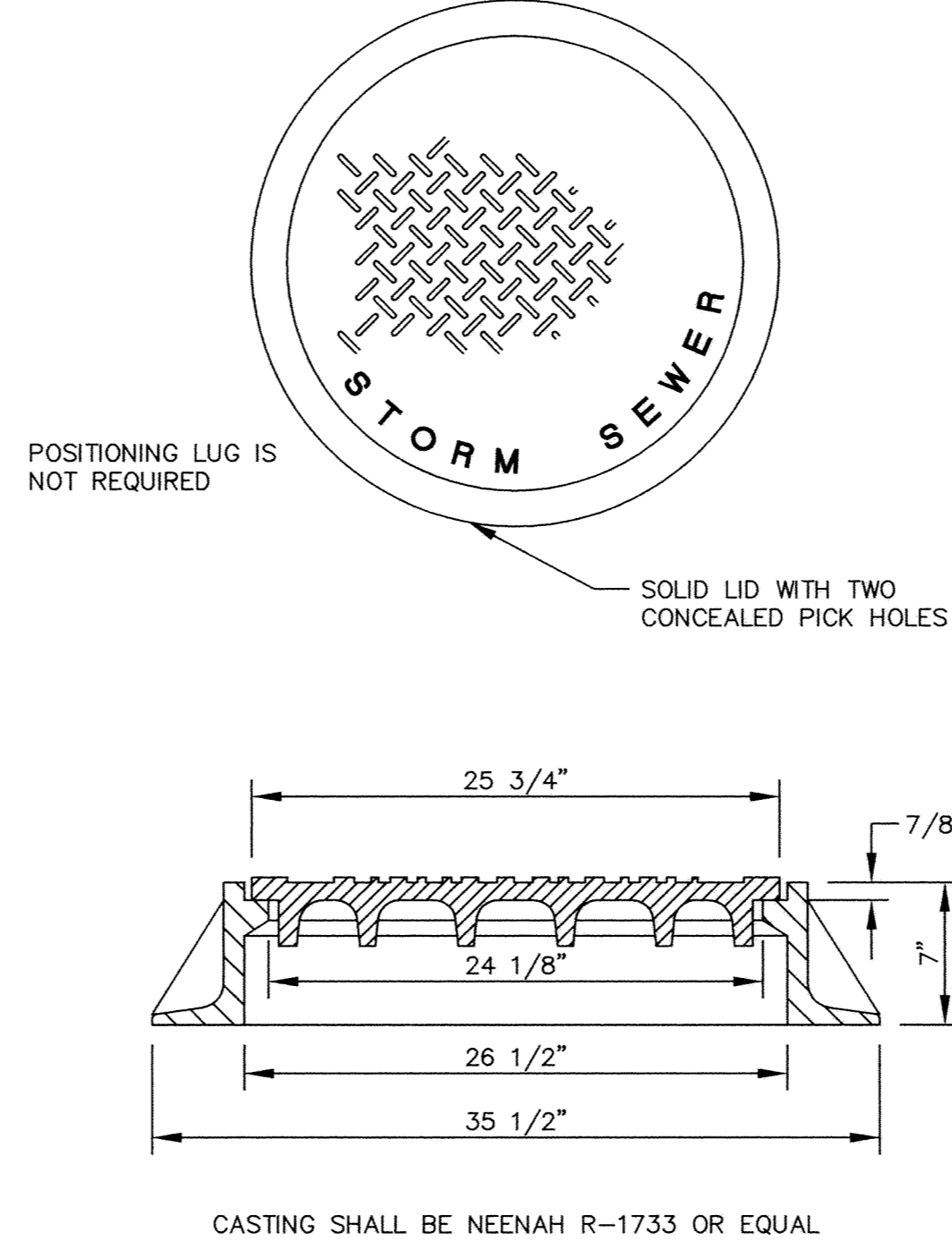
SECTION A-A

REV: 3/2006

**City of Elk River**

**RIP-RAP INSTALLATION**

STANDARD PLATE NO. **2505**



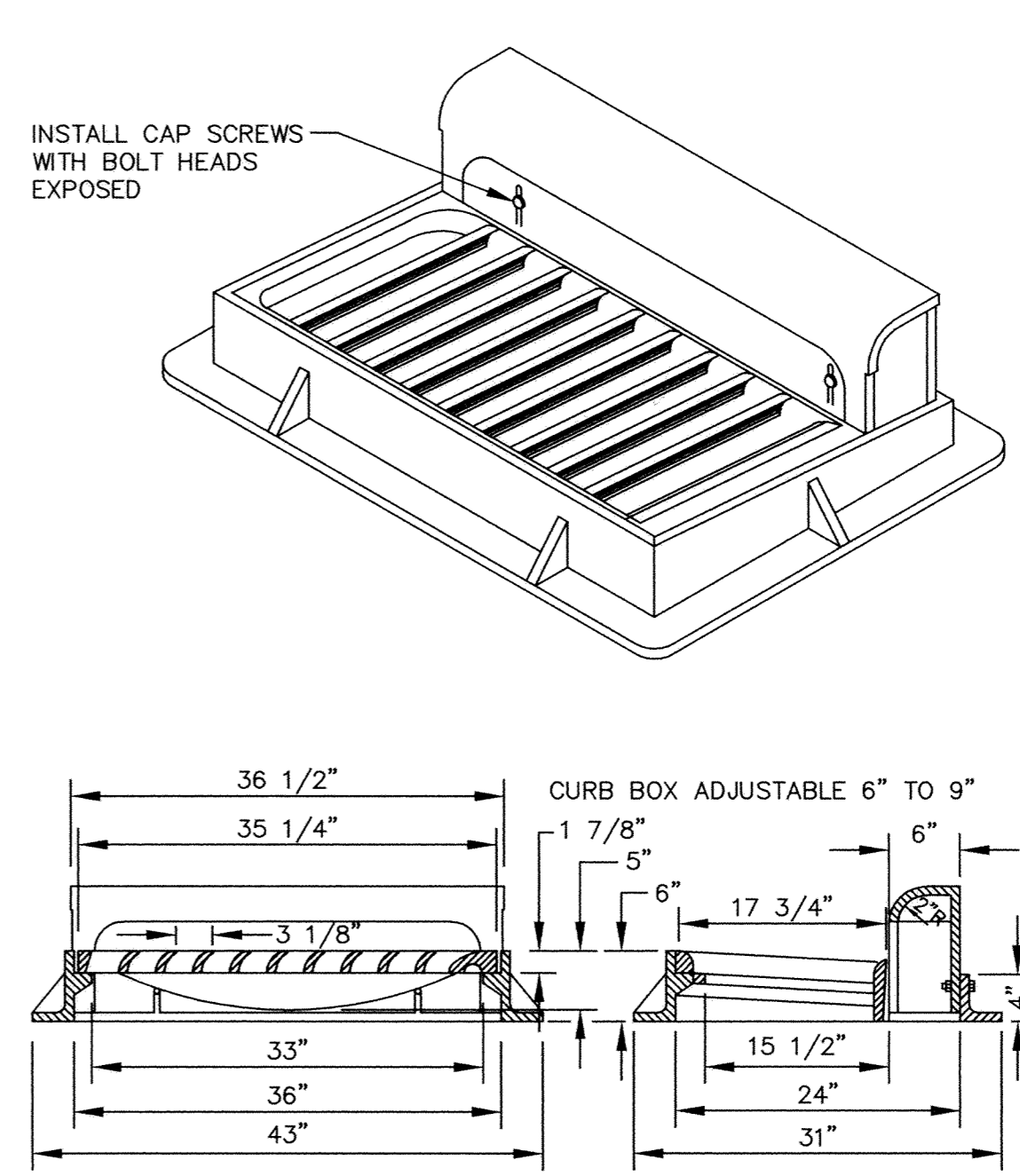
CASTING SHALL BE NEENAH R-1733 OR EQUAL

REV: 3/2006

**City of Elk River**

**STANDARD MANHOLE CASTING**

STANDARD PLATE NO. **2506**



CASTINGS SHALL BE NEENAH R-3067-V OR EQUAL

REV: 3/2006

**City of Elk River**

**STANDARD INLET CASTING**

STANDARD PLATE NO. **2507**

DRAWING NUMBER  
HIGHLAND 06  
8

DRAWING NUMBER

I HEREBY CERTIFY THAT THIS PLAN, SPECIFICATION, OR REPORT WAS PREPARED BY ME OR UNDER MY DIRECT SUPERVISION AND THAT I AM A DULY LICENSED PROFESSIONAL ENGINEER UNDER THE LAWS OF THE STATE OF MINNESOTA.

NAME **05-02-06** DATE **15316** LIC. NO.

SAFECO PRODUCTS - NEW UPR, MINNESOTA  
REGISTERED PROFESSIONAL ENGINEER  
REGISTERED PROFESSIONAL SURVEYOR