

REVISIONS	NO.	DATE	BY	DESCRIPTION

I HEREBY CERTIFY THAT THIS PLAN, SPECIFICATION, OR REPORT WAS PREPARED BY ME OR UNDER MY DIRECT SUPERVISION AND THAT I AM A DULY LICENSED PROFESSIONAL ENGINEER UNDER THE LAWS OF THE STATE OF MINNESOTA.

NAME: _____ LIC. NO. 15316
 DATE: 05-02-06

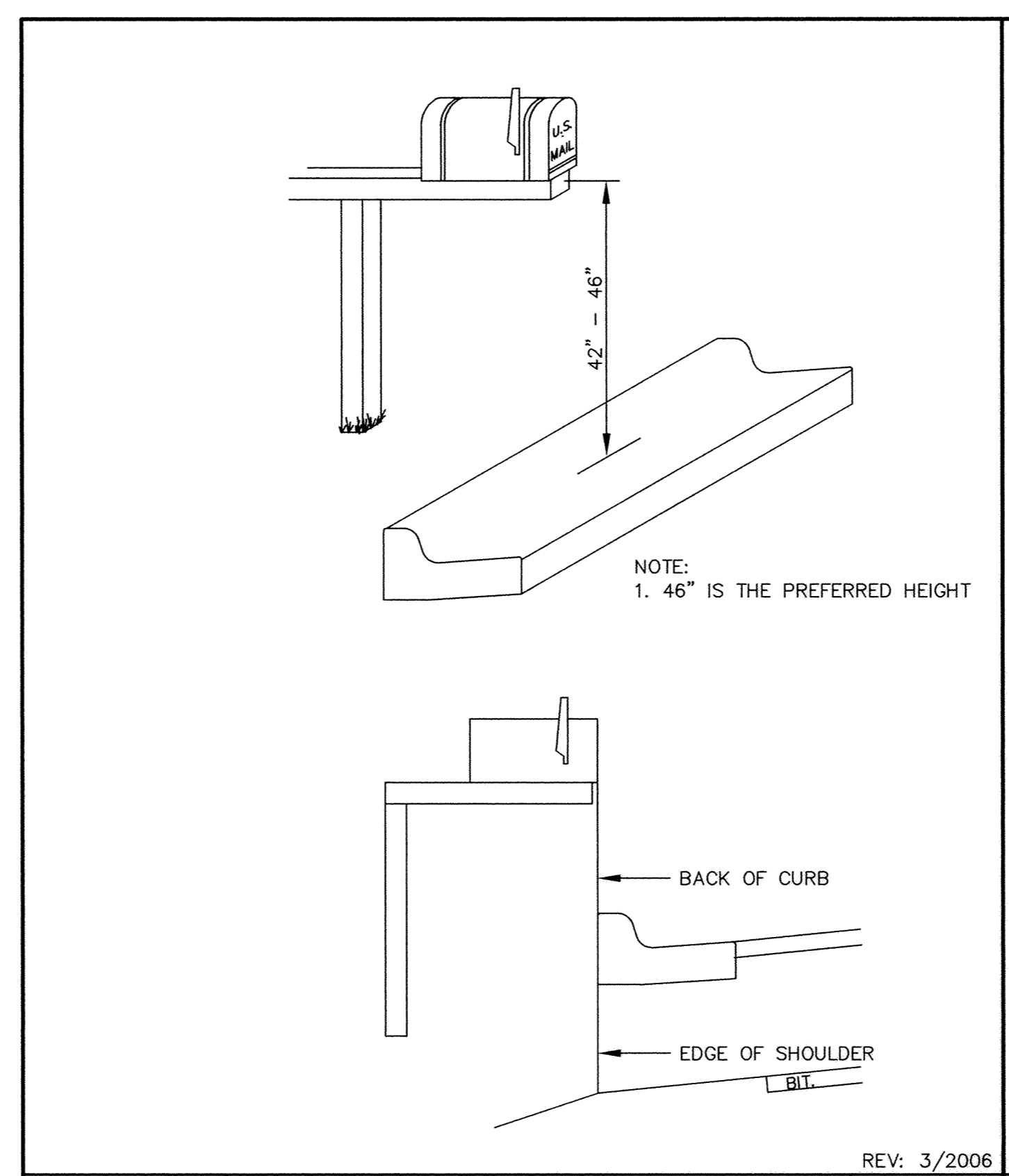
SAP 204-187-001

RECORD PLAN
HIGHLAND ROAD IMPROVEMENTS
STREET CONSTRUCTION DETAILS

BDM
 CONSULTING ENGINEERS, PLC
 Engineers and Surveyors
 4175 Lovell Road, Suite 112
 Lexington, MN 55014
 Phone: (763) 786-4570
 Fax: (763) 786-4574
 bdmce.com

DRAWN BY: NAB
 CHECKED BY: KJT
 DESIGNED BY: KJT
 JOB NO. 226068D

SHEET **7** SHEETS **55**

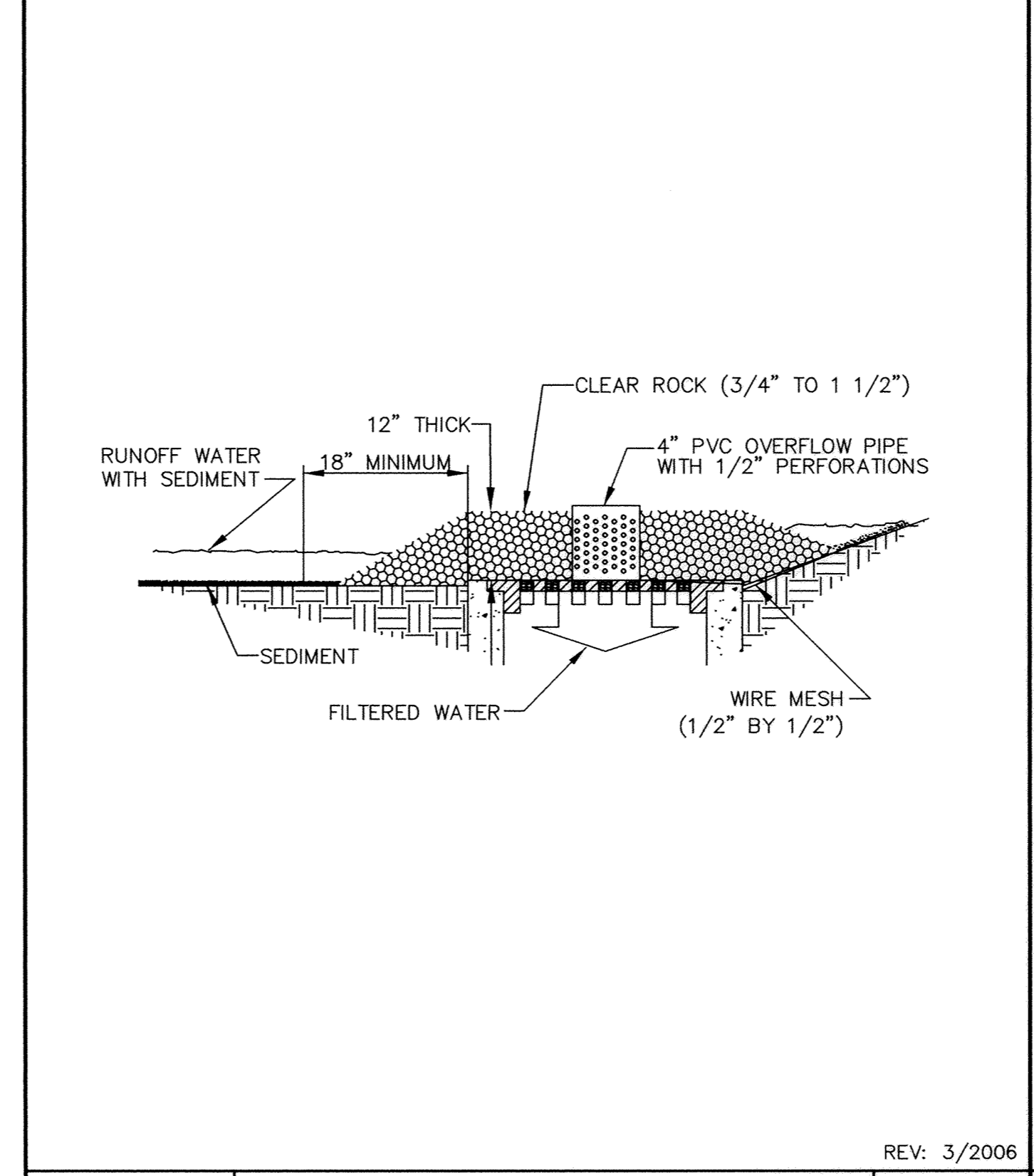


REV: 3/2006

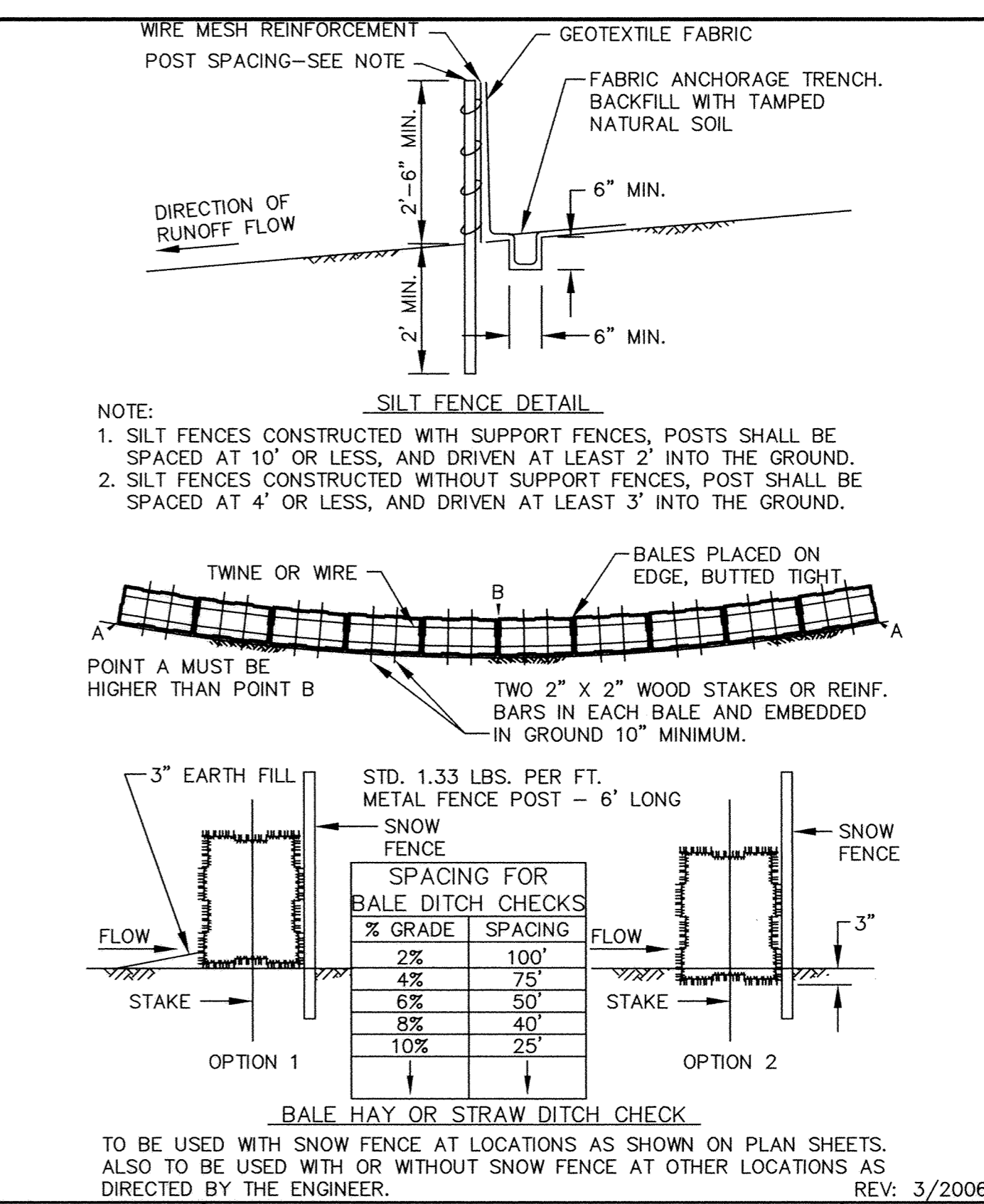
STANDARD PLATE NO. **2008**

REV: 3/2006

STANDARD PLATE NO. **2009**



STANDARD PLATE NO. **2510**



STANDARD PLATE NO. **2511**