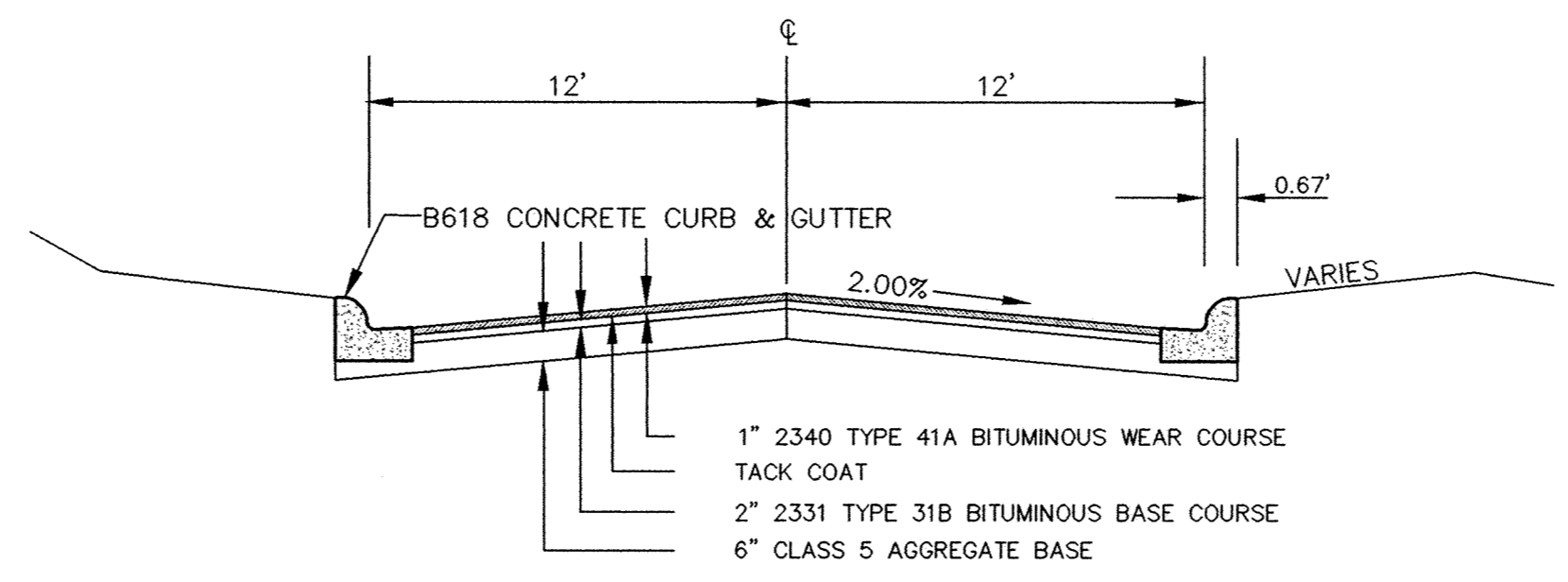
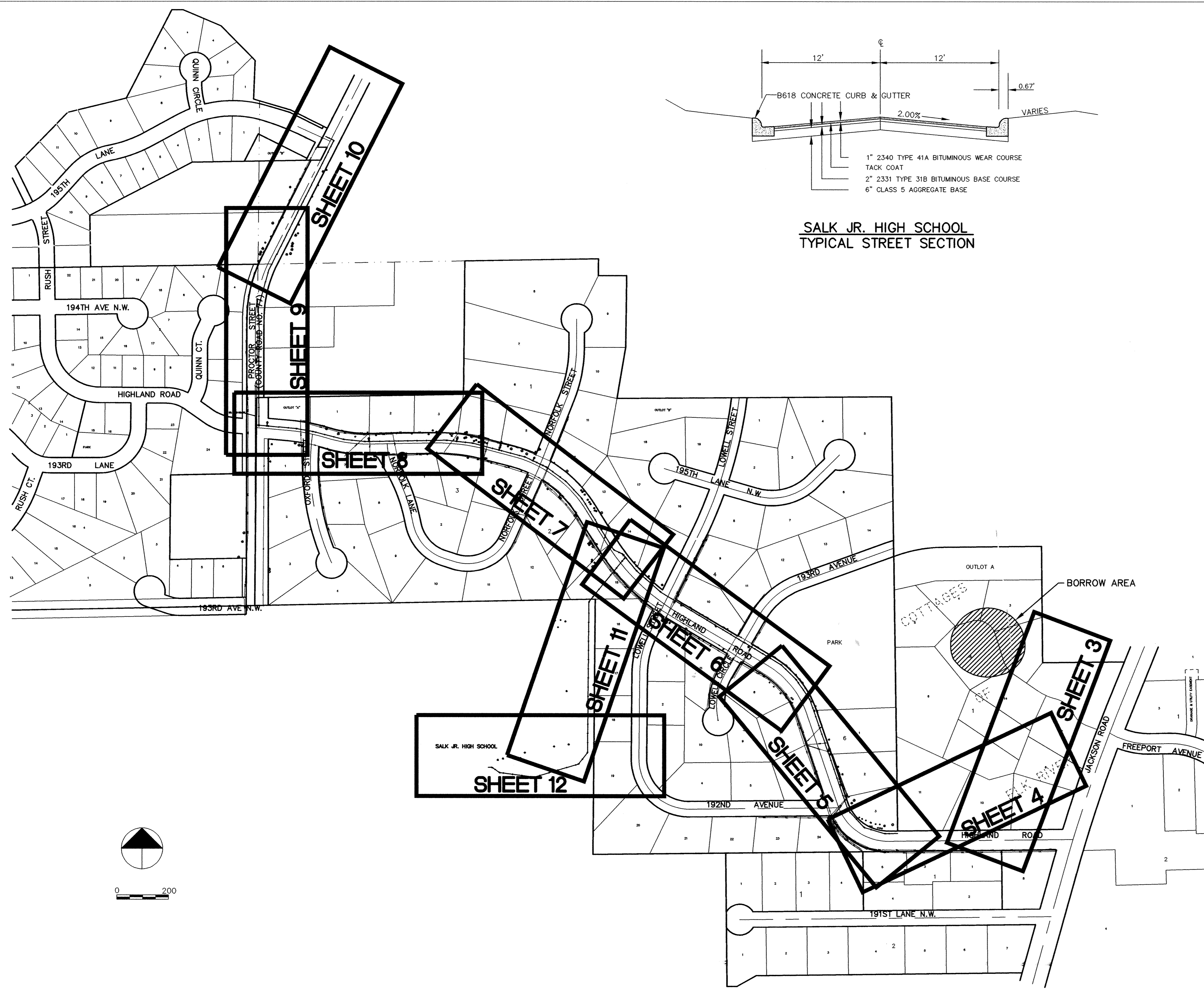
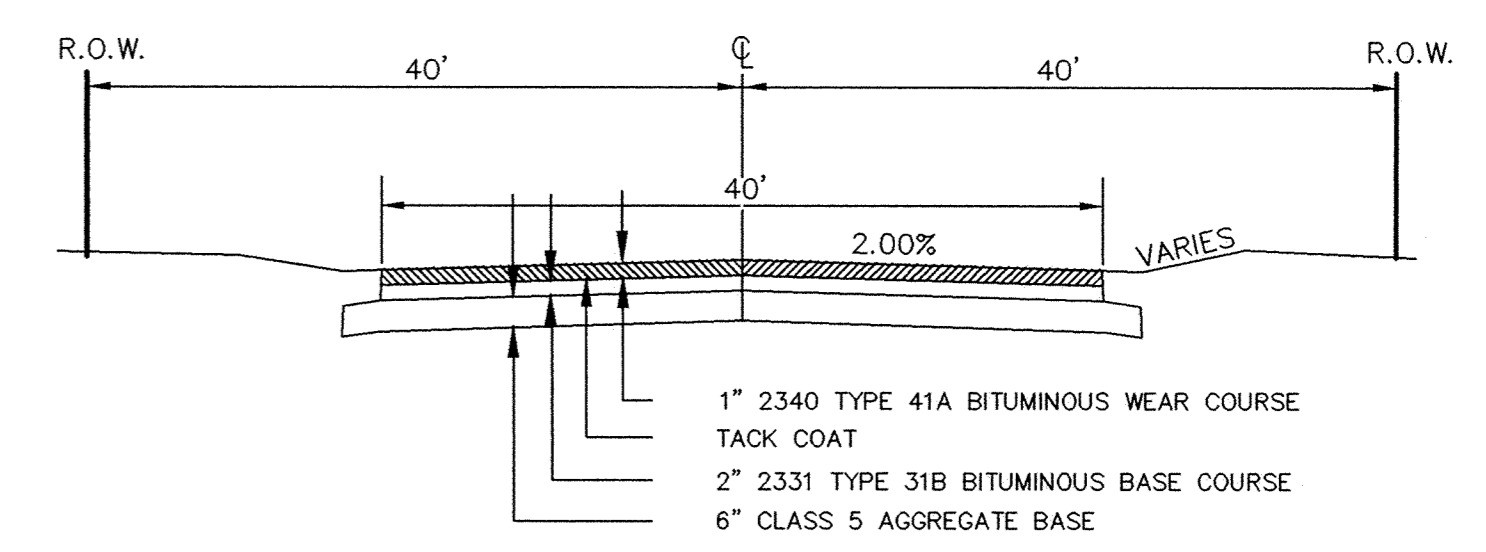


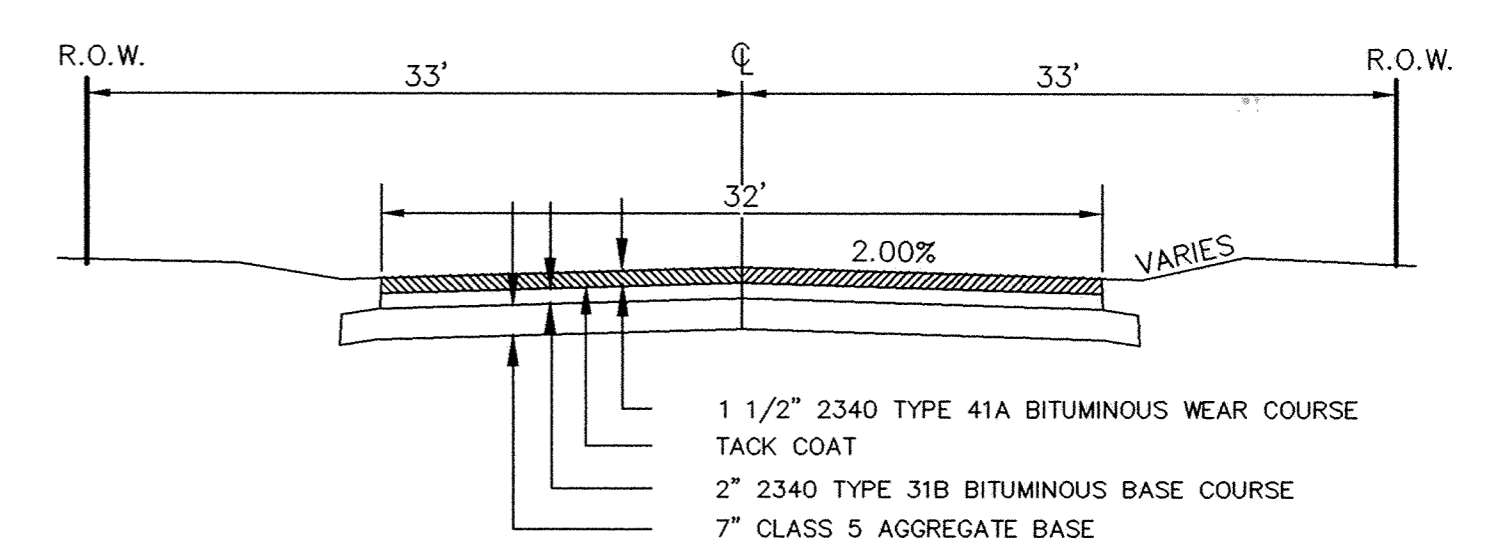
SAECO PRODUCTS • NEW HORIZON, MINNESOTA
REORDER BY PART NUMBER 6582
SAECO PRODUCTS • NEW HORIZON, MINNESOTA
REORDER BY PART NUMBER 6582
SAECO PRODUCTS • NEW HORIZON, MINNESOTA
REORDER BY PART NUMBER 6582
SAECO PRODUCTS • NEW HORIZON, MINNESOTA
REORDER BY PART NUMBER 6582



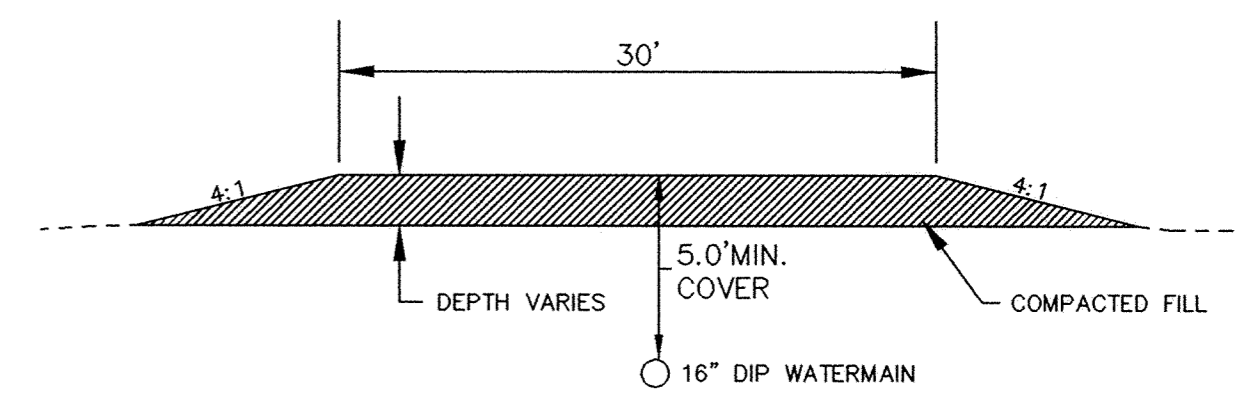
SALK JR. HIGH SCHOOL
TYPICAL STREET SECTION



HIGHLAND ROAD
TYPICAL STREET SECTION



PROCTOR ROAD
TYPICAL STREET SECTION



COTTAGES OF ELK RIVER
TYPICAL WATERMAIN SECTION
(SEE CROSS SECTIONS ON SHEET 13)

RECORD PLAN
MARCH 1998

I HEREBY CERTIFY THAT THIS PLAN, SPECIFICATION, OR REPORT WAS PREPARED BY ME OR UNDER MY DIRECT SUPERVISION AND THAT I AM A DULY REGISTERED PROFESSIONAL ENGINEER UNDER THE LAWS OF THE STATE OF MINNESOTA.
Ray Mauer
DATE 4/9/97 REG. NO. 16316



1326 ENERGY PARK DRIVE
ST. PAUL, MINNESOTA 55108
(612) 644-4389

REVISIONS	DATE	DESCRIPTION	DESIGNED	CHECKED	DRAWN	GRAPHIC SCALE
			AJB		RKM	0 NA
						VERT. NA

ELK RIVER MUNICIPAL UTILITIES HIGHLAND ROAD TRUNK WATERMAIN LOCATION MAP		
DATE APR. 1997	SHEET 2 OF 16 SHEETS	PROJECT NO. 235-013